

ASSEMBLY INSTRUCTIONS

End Table

ASSEMBLY

2 HOURS

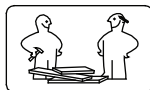
2 -Person Assembly

Tools Required (Not Provided):

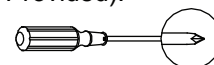
REQUIREMENTS

Assembly Time

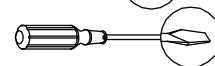
(Approximate)



Phillips Screwdriver



Flat Head Screwdriver



Thank you for purchasing our product!

Please refer and use this assembly instruction to assemble the product.
Contact our customer service department in case there are any missing or damage parts or hardware.
Replacement parts are normally shipped within 2 or 3 days.

We appreciate your business!

ASSEMBLY PREPARATION

1. Remove all packaging materials, staples and packing straps from the carton.
2. Refer to Parts List and Hardware List and ensure they are complete before you start assembling.
3. Place all wooden parts on a clean, flat and soft surface (e.g. carpet or rug) to prevent parts from getting scratched.

SAFETY PRECAUTION:

1. KEEP ALL HARDWARE PARTS OUT OF REACH OF CHILDREN.
2. DISPOSE PLASTIC PACKAGING MATERIAL IMMEDIATELY TO AVOID ANY RISK OF SUFFOCATION TO CHILDREN AND ANIMALS.

TIPS FOR ASSEMBLY:

1. Allow ample room for assembly and in close proximity to where product will be placed.
2. Assemble the product on a surface that does not scratch or damage the exterior gloss and finish of the furniture.
3. Please check all of the parts and quantities are included before assembly. Contact customer service for missing parts.
4. Identify all of the parts, hardware and quantities required for each step.
5. During assembly, do not over-tighten any fittings as this may cause damage.
6. DO NOT USE POWER TOOLS TO ASSEMBLE THIS PRODUCT.
7. Always place the product on a flat surface.
8. Do not sit or stand on the partially assembled product; only use the product for which it is intended.

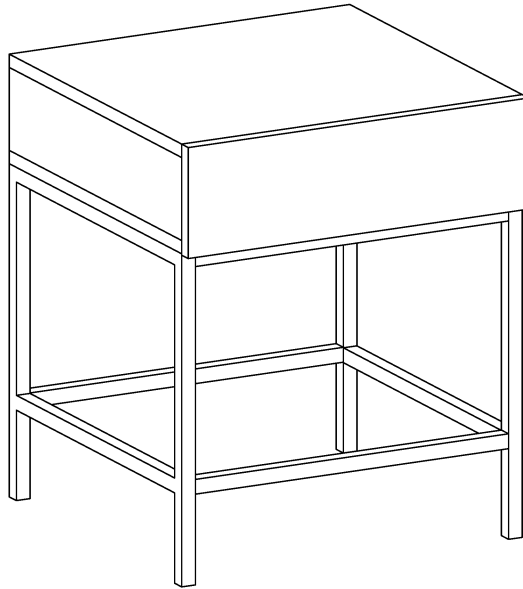
CARE AND MAINTENANCE

- Use a slightly damp cloth to clean the product. Do not use bleach or abrasive cleaning material.
- Check all the fittings periodically and re-tighten as necessary. Do not use the product if any of the parts is damaged or broken.
- Never allow any kind of liquid to remain on your furniture. Absorption can cause wood to warp or delaminate.
- Do not place hot items (e.g. hot drinks) directly onto the wood surface.
- Do not drag and/or pull the furniture.





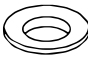




This product is for indoor and household-use only - not for commercial use.

ASSEMBLY INSTRUCTIONS

End Table/End Table



Hardware List

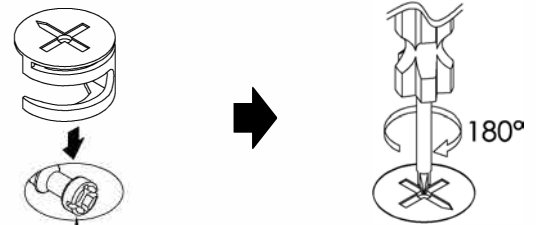
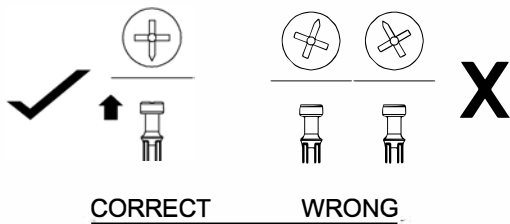
ITEM	DESCRIPTION	PART	QTY	ITEM	DESCRIPTION	PART	QTY
A	Cam-lock	 14*11mm	16PCS	F	Screw		8PCS
B	Cam-bolt	 5*40 mm	16PCS	G	Metal Glide	 4*12 mm	1 sets
C	Flat Washer	 6*16 mm	20PCS	H	Screw	 4*35mm	4PCS
D	Allen-Head Bolt	 6*15 mm	20PCS	I	Wood dowel	 8*40mm	8PCS
E	Allen Wrench		1PC				

CAM-BOLT and CAM-LOCK INSTRUCTIONS

CAM-LOCK



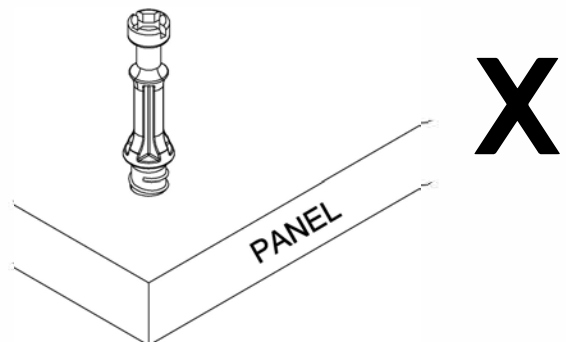
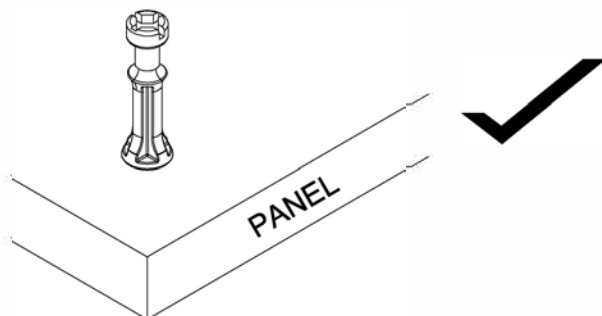
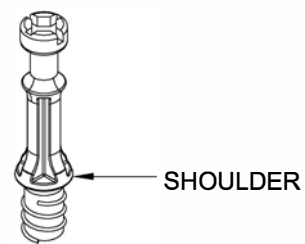
Align the arrow on the Cam-lock to the Cam-bolt head and insert the Cam-lock.



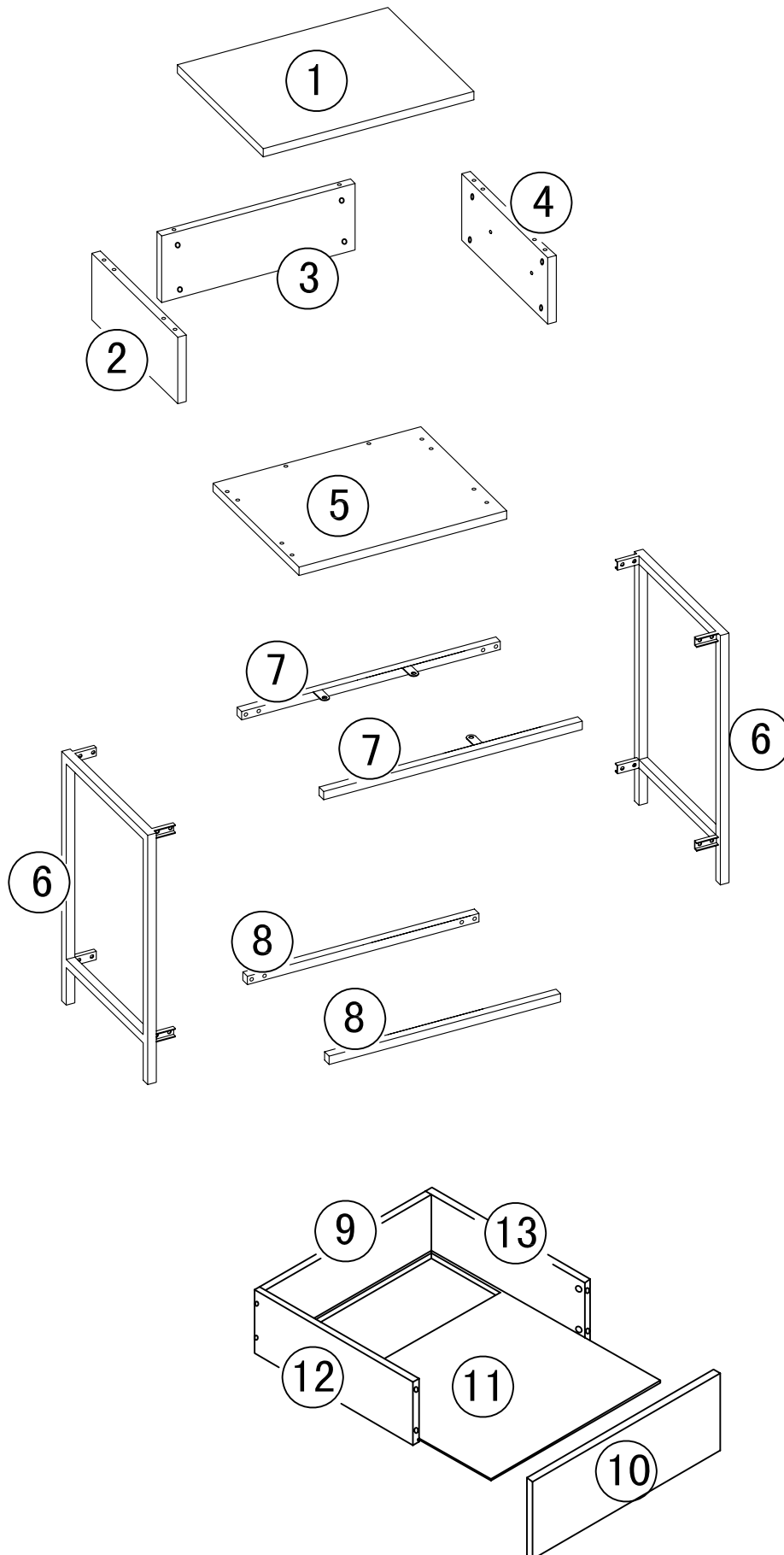
Use a flat screwdriver to turn the Cam-Lock clockwise one half a turn so it locks onto the head of the Cam-lock. Turn only until it is snug – over-tightening could damage Cam-lock or/and Cam-bolt

CAM-BOLT


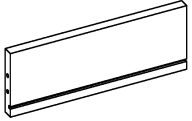
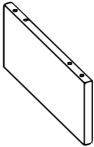
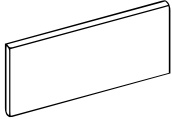
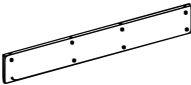
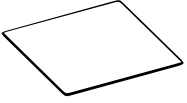
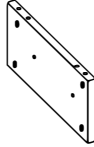
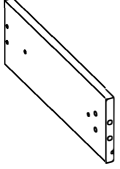
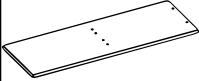
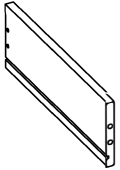
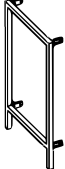
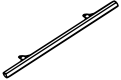

Insert Cam-bolt into the pre-drilled hole. Use a Phillips Screwdriver to tighten until shoulder is flush with the panel. See illustrations below.



Parts & Assembly Overview




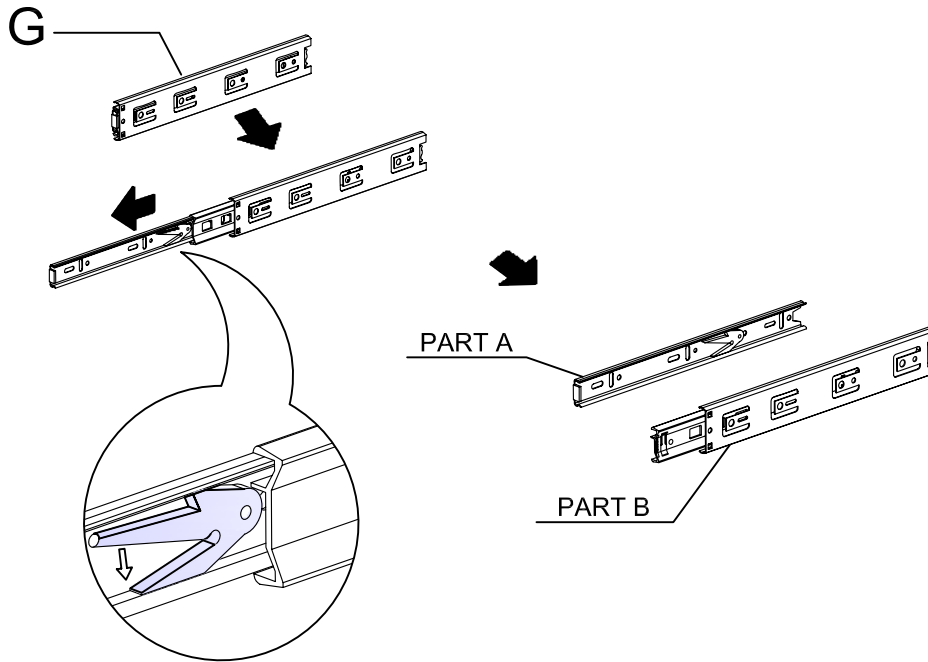
Parts List

ITEM	DESCRIPTION	PART	QTY	ITEM	DESCRIPTION	PART	QTY
1	Top Panel		1 PC	9	Drawer Back Panel		1 PC
2	Left Side Panel		1 PC	10	Drawer Front Panel		1 PC
3	Back Panel		1 PC	11	Drawer Bottom Panel		1 PC
4	Right Side Panel		1 PC	12	Drawer Left Side Panel		1 PC
5	Bottom Base		1 PC	13	Drawer Right Side Panel		1 PC
6	Leg		2 PCS				
7	Connect Base		2 PCS				
8	Connect Base		2 PCS				

STEP 1

1. Distinguish Metal Glide (G) between Part A and Part B.



G		2 sets
---	---	--------

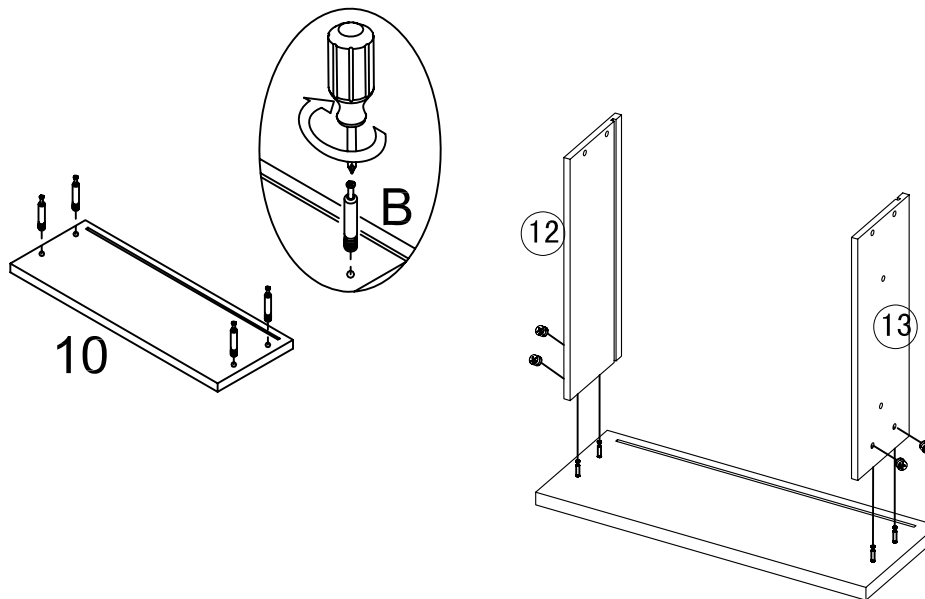


Push Lever downwards to slide out Part A

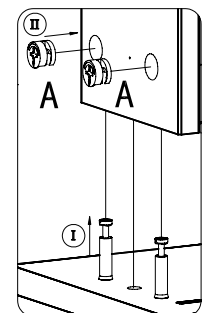
X 2

STEP 2

A		4 pcs
B		4 pcs



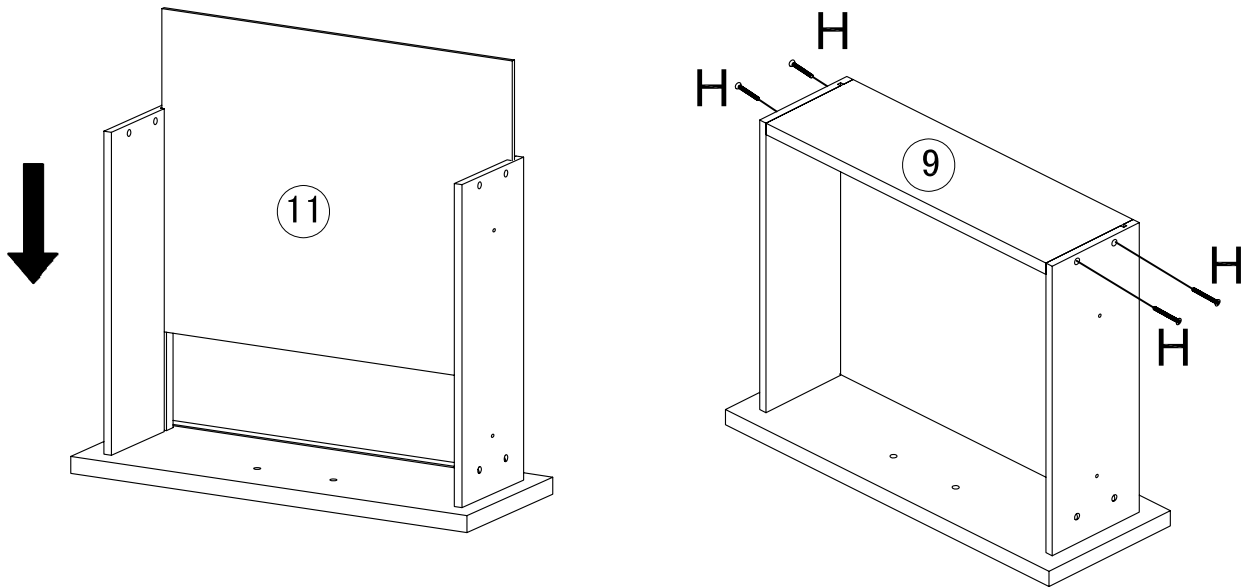

DO NOT USE POWER TOOLS



1. Attach Cam-bolt (B) to Drawer Front Panel (10). (Refer to page on Cam-bolt and Cam-lock Instructions)
2. Attach Drawer Left & Right Side Panels (12 & 13) to Drawer Front Panel (10). Next, insert Cam-lock (A) to (12 & 13) then turn clockwise to lock Cam-bolt. (Refer to page on Cam-bolt and Cam-lock Instructions.)


STEP 3

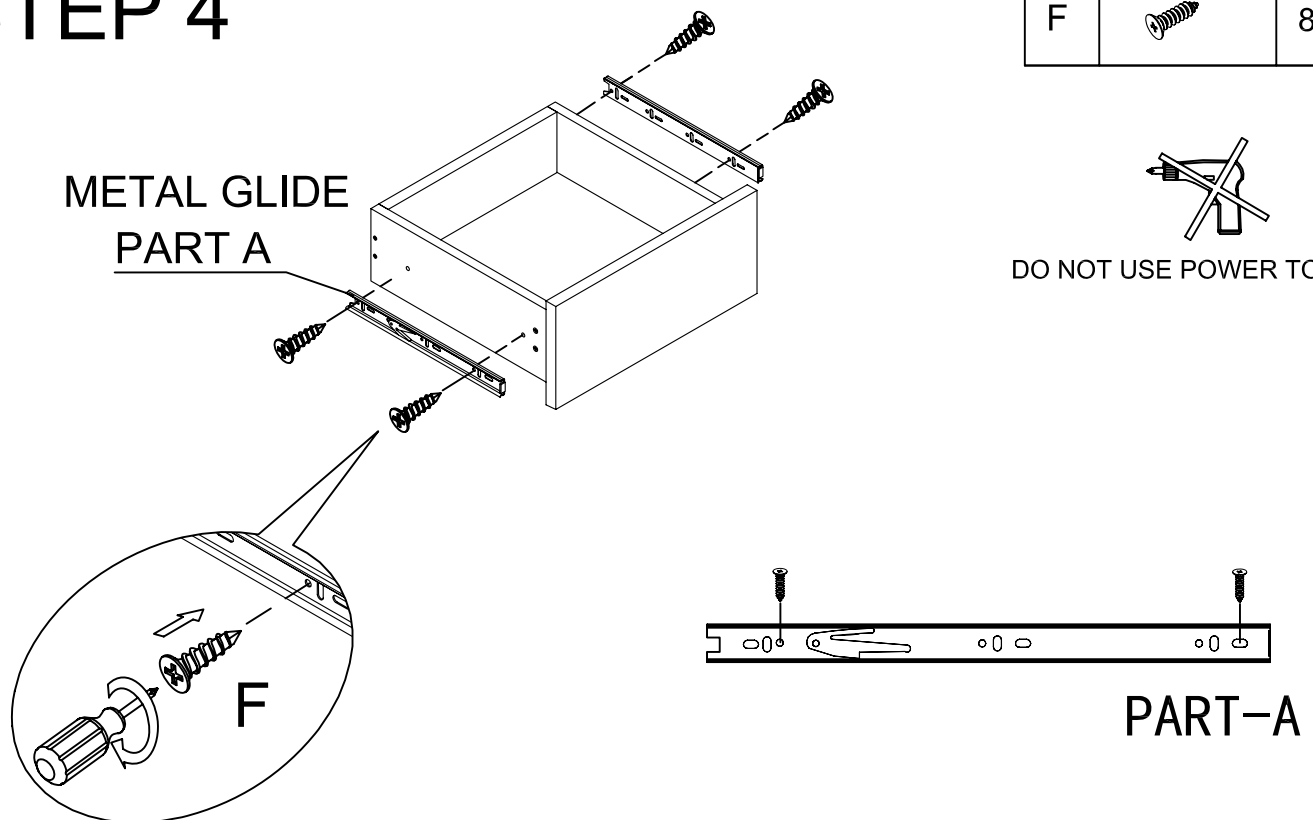
H		4 pcs
---	---	-------



1. Insert Drawer Bottom Panel (11) by fitting (11) into the groove on Drawer Front & Side Panels.
2. Attach Drawer Back Panel (9) to Drawer Side Panel (12 & 13) by using Screw (H).



STEP 4

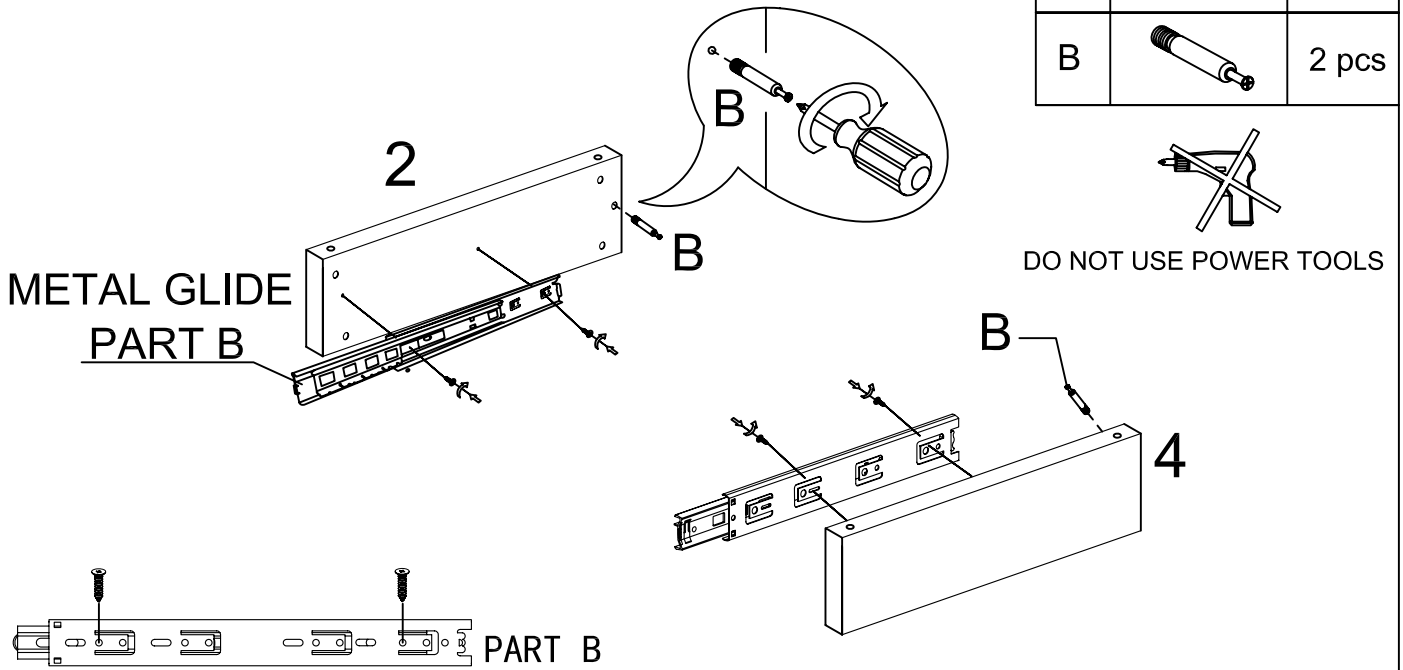
F		8 pcs
---	---	-------



1. Install Part A of Metal Glide (G) to pilot holes on drawer by using Screw (F).




STEP 5

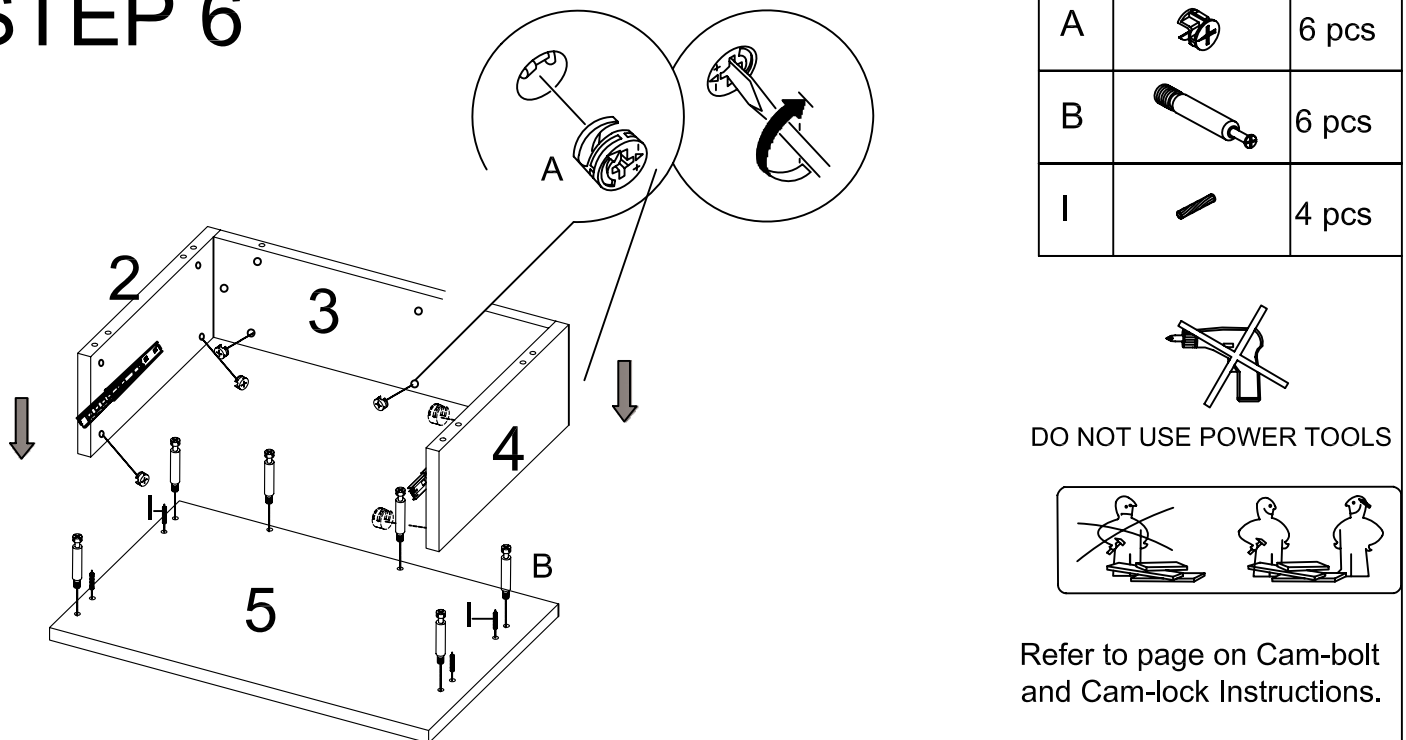
F		4 pcs
B		2 pcs



1. Install Part B of Metal Glide (G) to pilot holes on Left Side Panel (2) and Right Side Panel (4) by using Screw (F) .
2. Screw in Cam-bolt (B) to Left Side Panel (2) and Right Side Panel (4) (Refer to page on Cam-bolt and Cam-lock Instructions.)

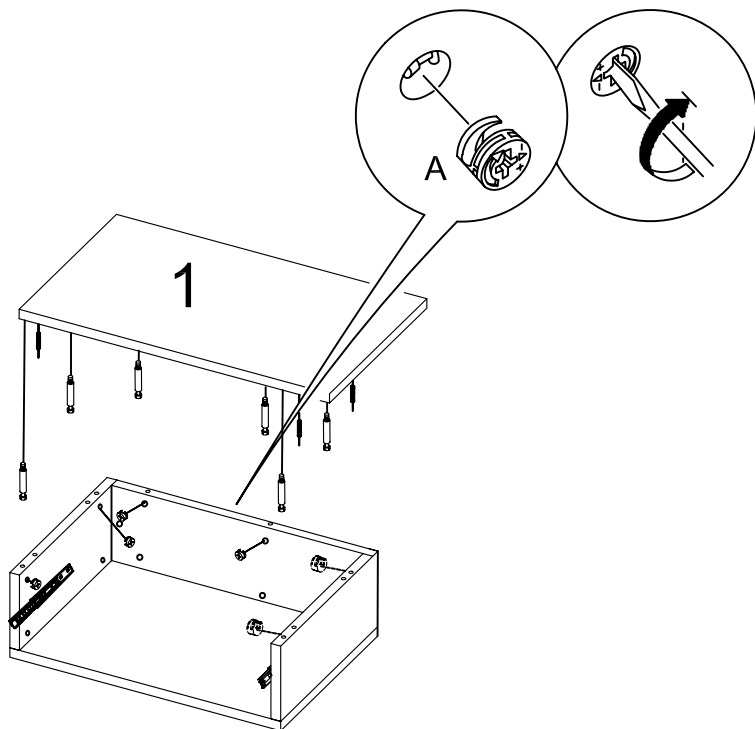
STEP 6

A		6 pcs
B		6 pcs
I		4 pcs



1. Attach Cam-bolt (B) & Wood dowel (I) to all of the pre-drilled holes on Bottom Base (5).
2. Install Panel (2), (3) & (4) from Step 6 to Bottom Panel (5). Secure with Cam-lock (A).

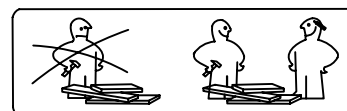
STEP 7



A		6 pcs
B		6 pcs
I		4 pcs



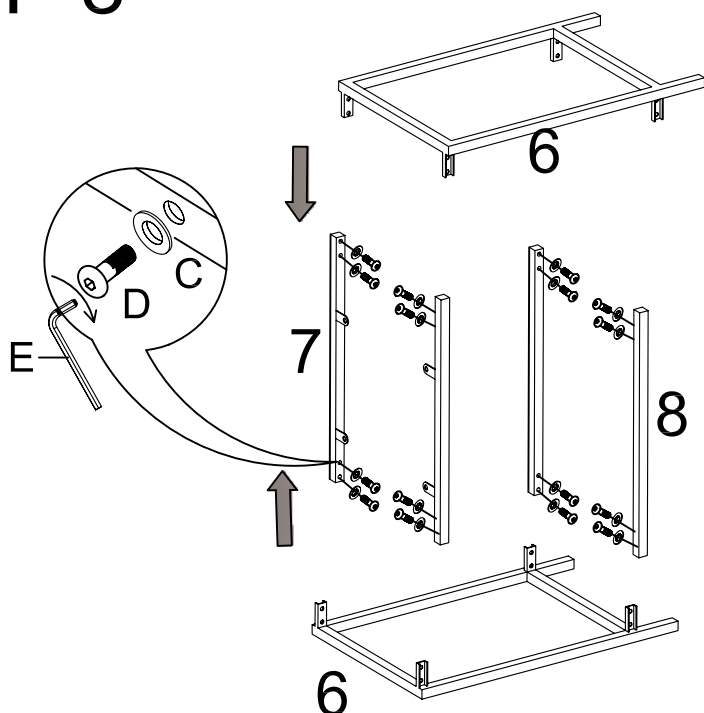
DO NOT USE POWER TOOLS



Refer to page on Cam-bolt and Cam-lock Instructions.

1. Attach Cam-bolt (B) & Wood dowel (I) to all of the pre-drilled holes on Top Panel (1).
2. Install Top Panel (1) as shown. Secure with Cam-lock (A)

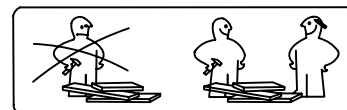
STEP 8



C		16 pcs
D		16 pcs
E		1pc

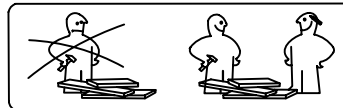





DO NOT USE POWER TOOLS

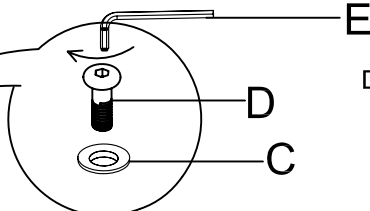
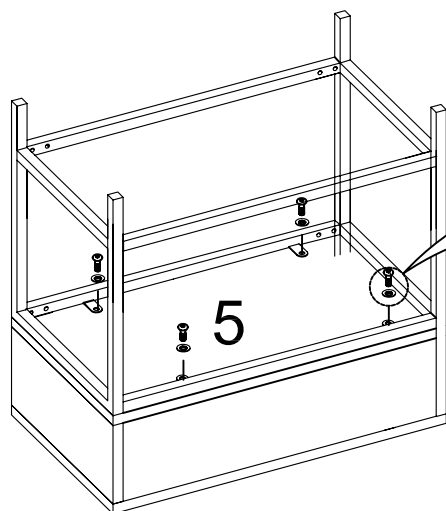


1. Place one Leg (6) flat down as shown. Attach Connect Base (7) & Connect Base (8) to (6) by using Allen-Head Bolt (D) and Lock Washer (C). Tighten (D) with Allen Wrench (E). Do not tighten completely until all of the Bolts are in place.
2. Install the second Leg (6).

STEP 9



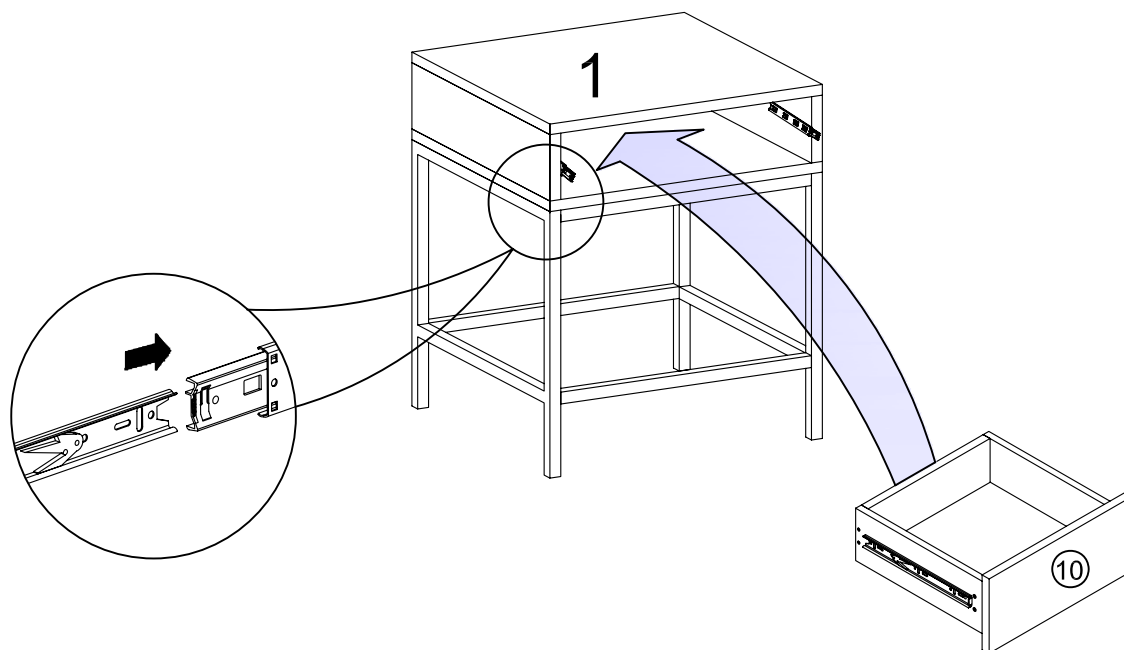
C		4 pcs
D		4 pcs
E		1pc



DO NOT USE POWER TOOLS

1. Place the sub-assembly completed in Step 8 bottom-side up (with Bottom Base (5) face up.)
2. Place Leg assembly from Step 9 bottom-side up and directly over Bottom Base (5) as shown.
3. Use Allen-Head Bolt (D) and Lock Washer (C) to attach Connect Base of Leg assembly to Bottom Base (5). Tighten Bolt (D) by using Allen Wrench (E)

STEP 10



1. Insert drawers as shown.

FINISH

