

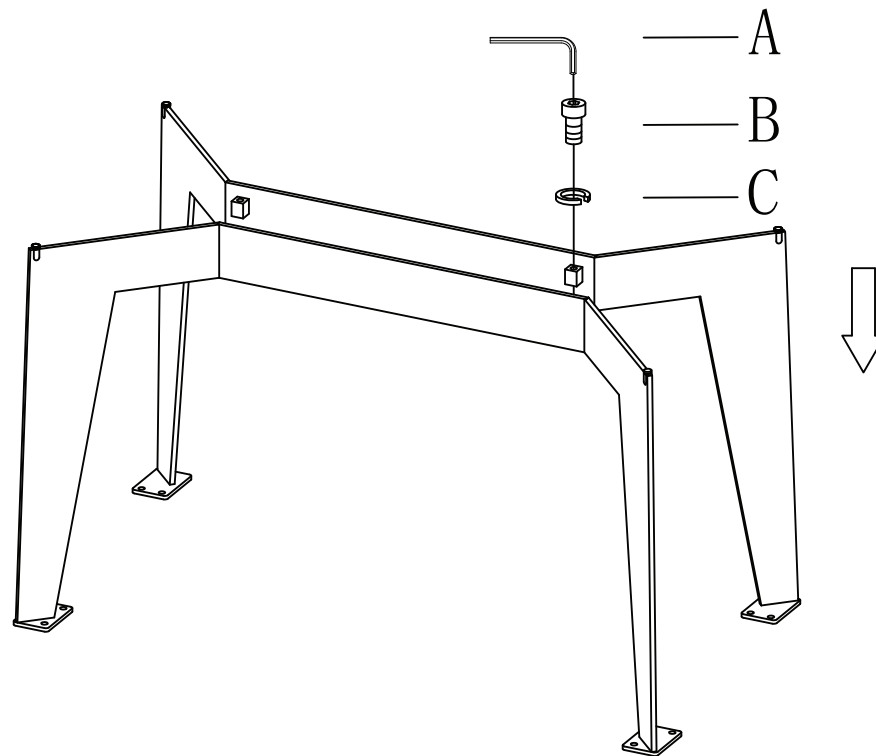
# Assembly Instructions

## MATEO Extension Dining Table

PLEASE NOTE: Check that you have received all components and hardware before assembling. If you are missing any parts, contact your retailer.



1



A (1 pc)  
6mm



B (2 pcs)  
M8x35



C (14 pcs)  
A8



D (1 pc)  
5mm



E (12 pcs)  
M8x16



F (12 pcs)  
A8

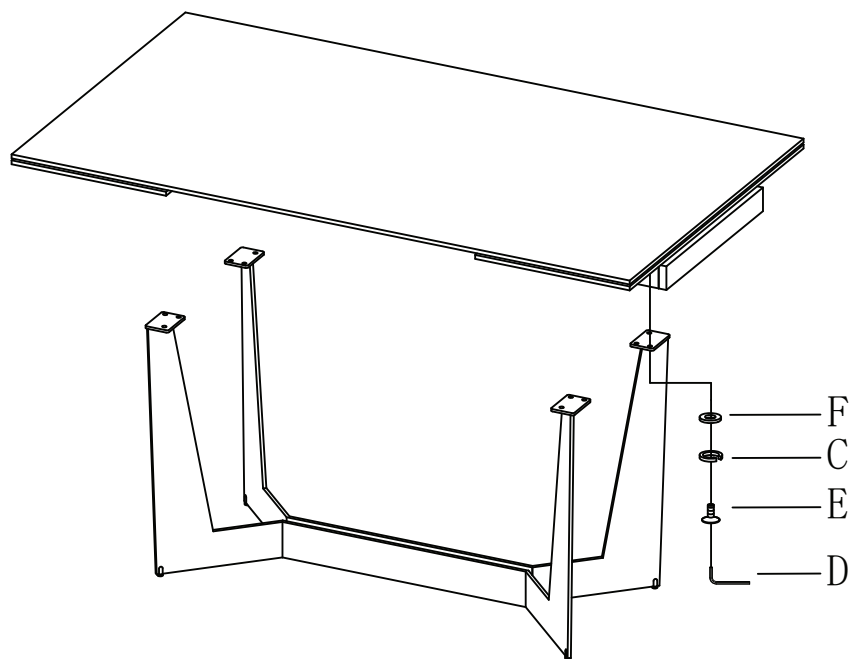
During assembly, hand tighten screws only. When the screws are in place, tighten completely.

# Assembly Instructions

## MATEO Extension Dining Table

PLEASE NOTE: Check that you have received all components and hardware before assembling. If you are missing any parts, contact your retailer.

2



3

WARNING! - Do not move the table by lifting the glass. Only move the table by lifting the metal frame underneath.

