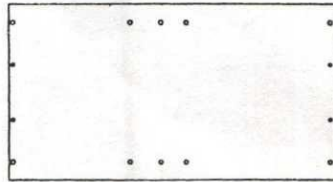
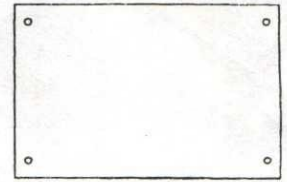


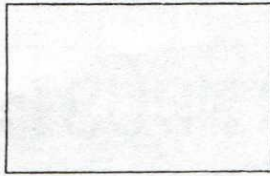
A X 1pcs



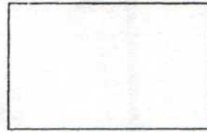
B X 2pcs



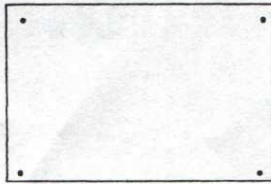
C X 1pcs



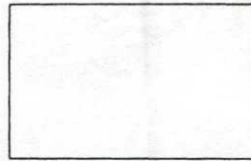
D X 1pcs



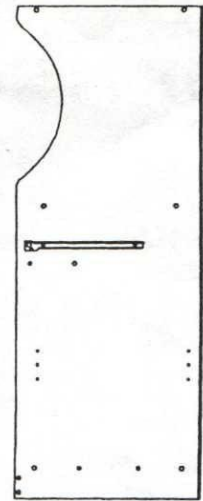
EX 2pcs



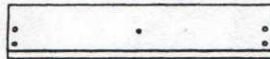
FX 1pcs



GX 1pcs



L X 2pcs



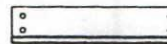
H X 1pcs



I X 1pcs



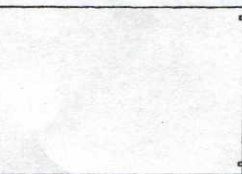
J X 1pcs



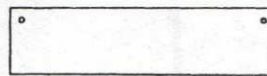
K X 2pcs



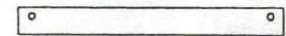
M X 1pcs



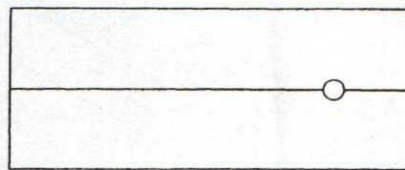
P X 2pcs



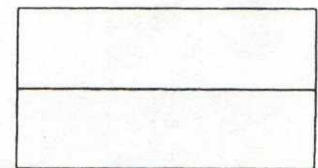
N X 1pcs



O X 1pcs



Q X 2pcs



R X 2pcs



1 27pcs



2 2pcs



3 1pcs



4 24set



5 4pcs



6 4set



7 1set



8 8pcs



9 8pcs



10 3set



11 4set



12 1pcs



13 2set

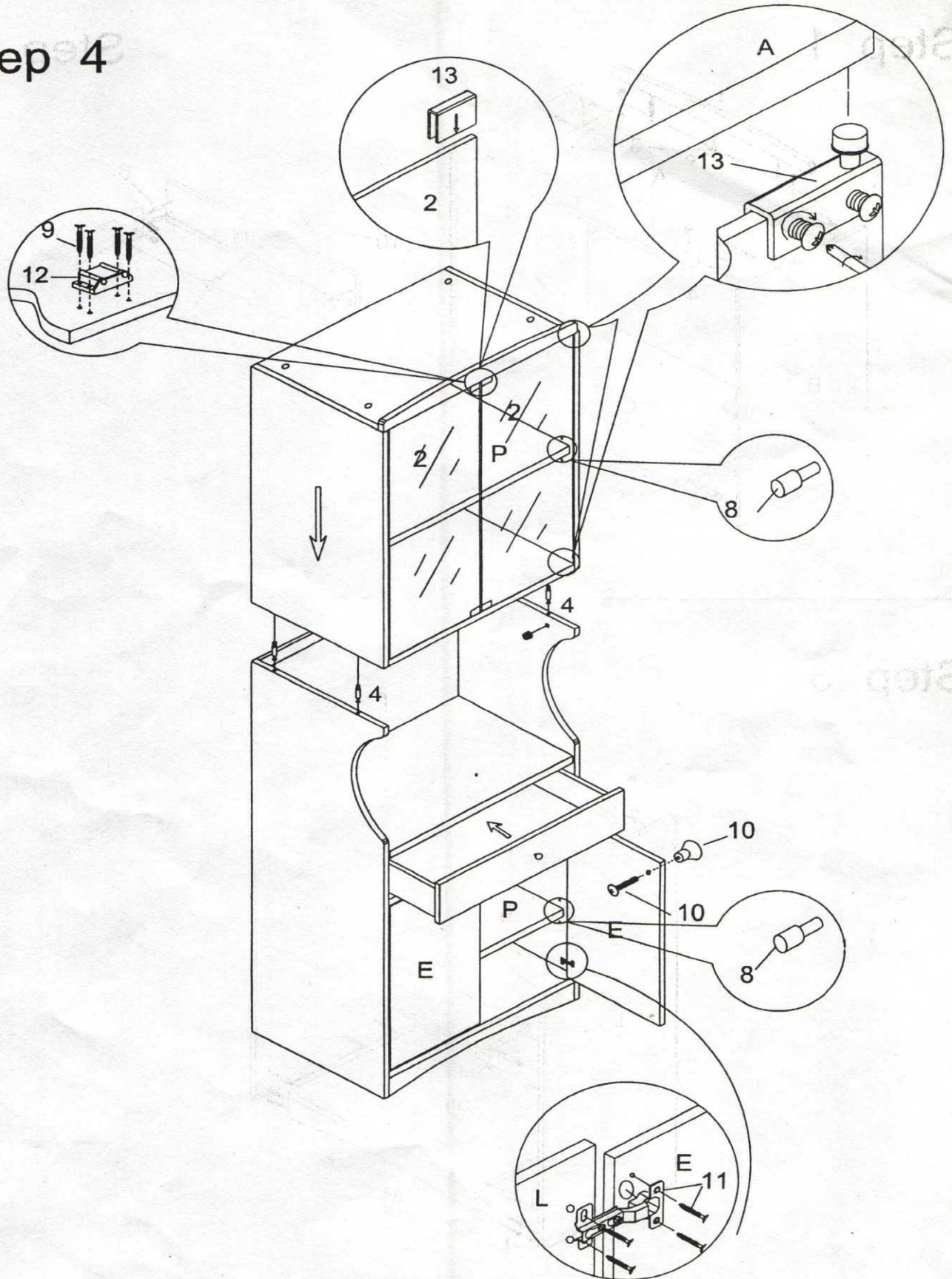


14 28pcs

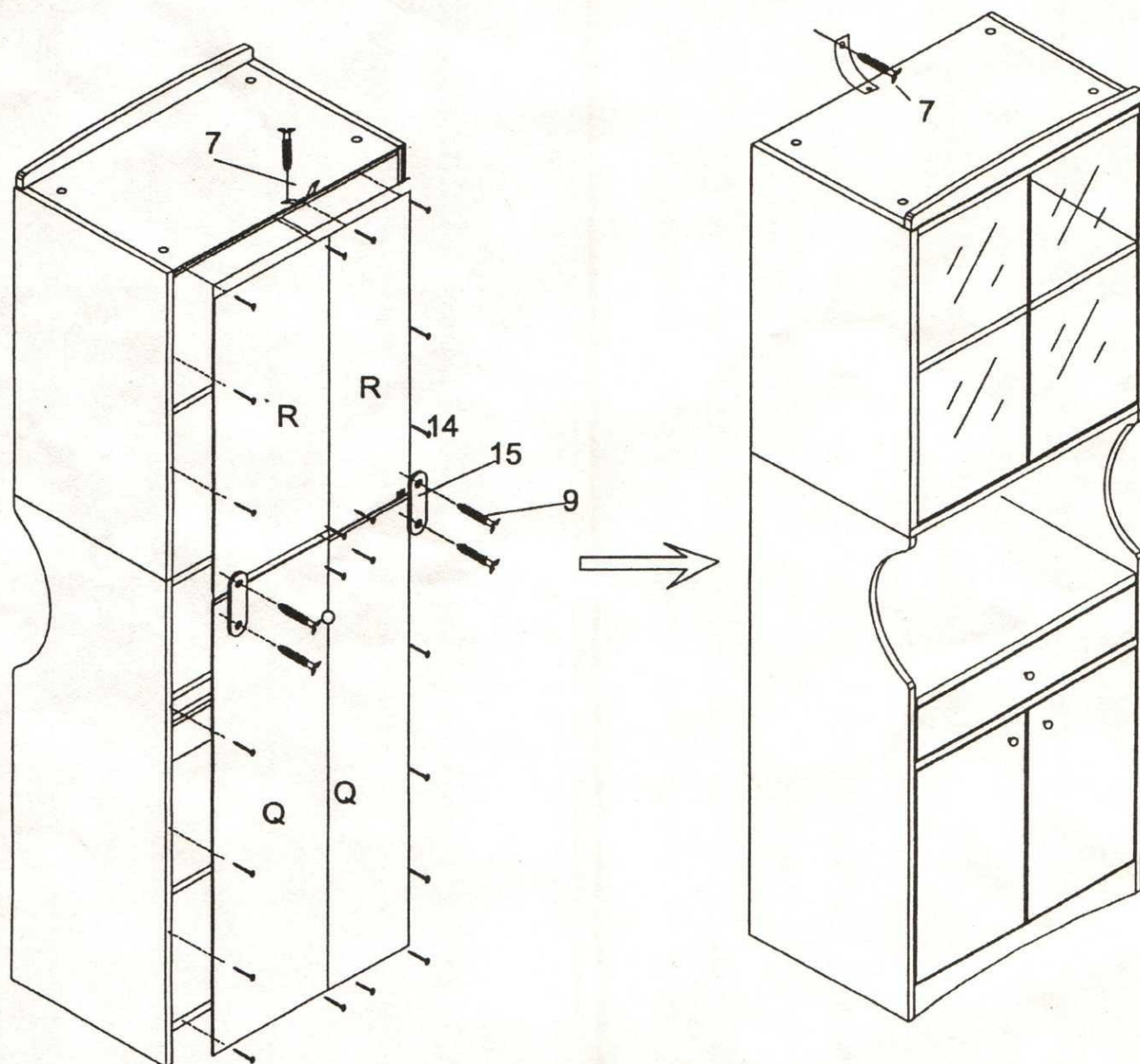


15 2pcs

# Step 4

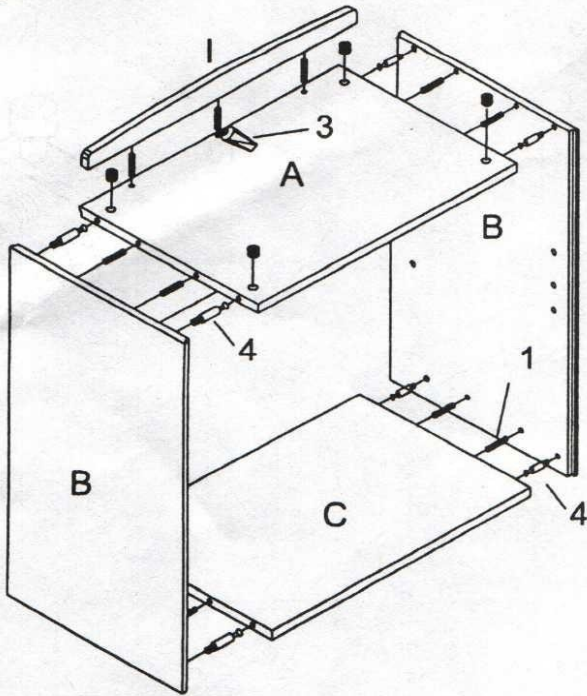


## Step 5

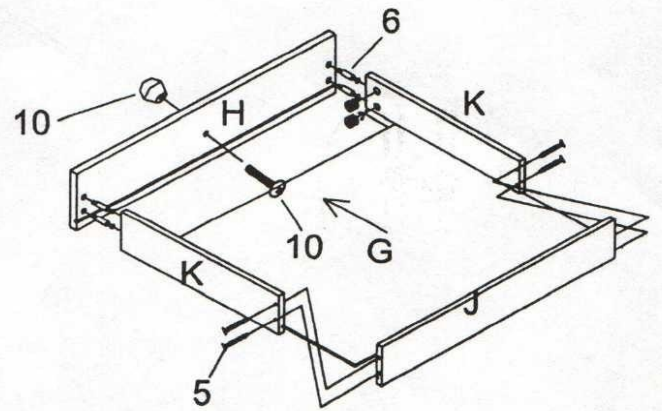


**WARNING: ALL SCREWS MUST BE TIGHTENED!**

# Step 1



# Step 2



# Step 3

