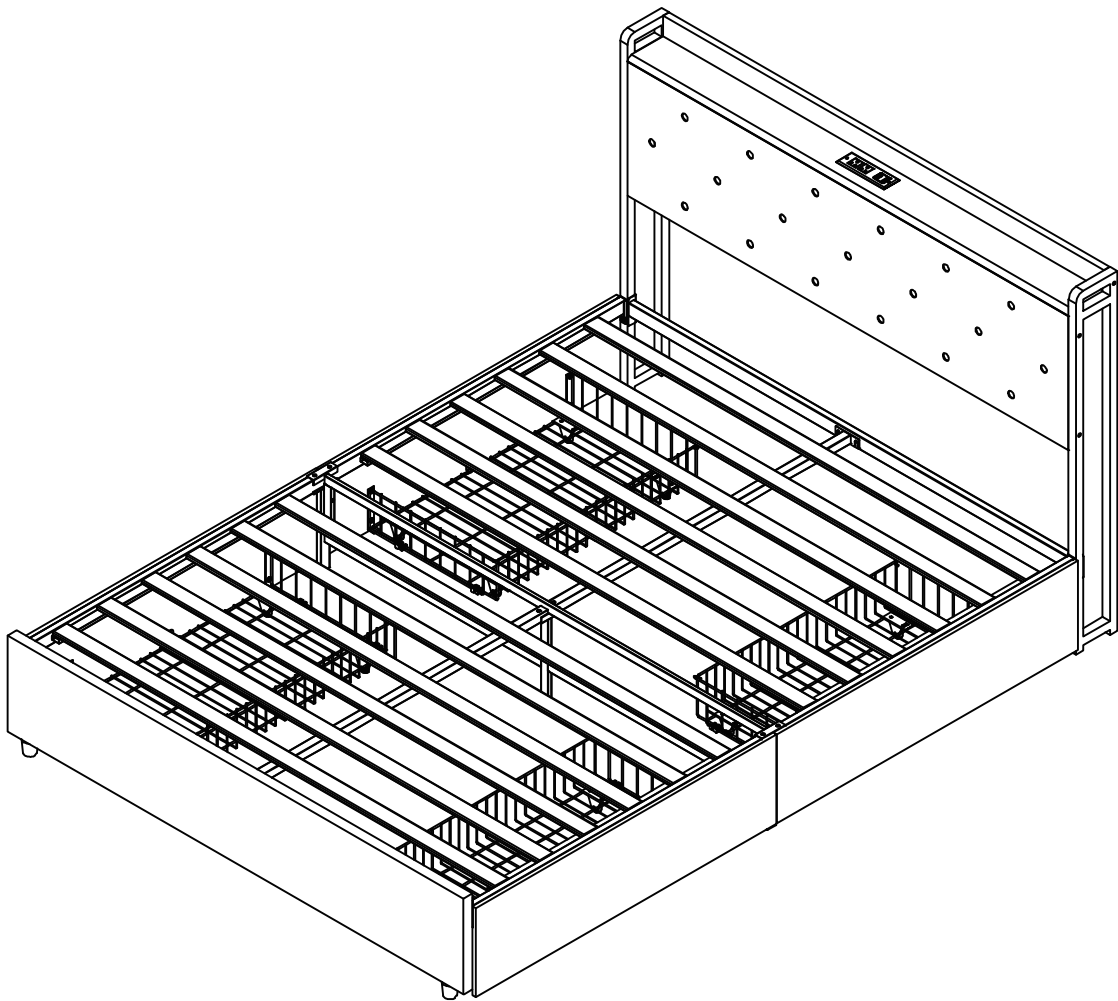


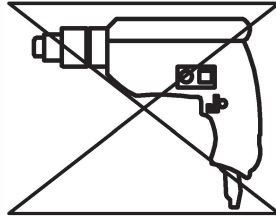
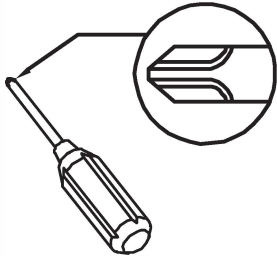
Installation & Assembly



YOU NEED

1. Tools required

A Phillips head screws driver is required for the assembly of this product. (not included)
Electric tool should not be used to assemble this product.



2. 2 person is needed



3. Take 60 minutes



Tips!



1. Check all the components & screws are intact before assembling the bed.
2. If you notice any pieces are missing or damaged please do not assemble and contact us immediately .

IMPORTANT SAFETY INFORMATION

Please carefully read the instructions and caution warnings below before assembling the bed. Following this guide will ensure that you install, use and maintain the product properly.

- Please keep this installation and user manual/instructions for future reference in case you need to assemble the product.
- Do not assemble if you notice serious damage such as cracks or bends.
- During installation, please use work gloves for hand safety.
- Please assemble the unit on carpeted floor or the flat cardboard box to avoid scratching the surface or your floor while assembling on the floor.
- To assemble, please use the complimentary installation tools (Allen Wrench). Pay more attention to the direction of components at each steps.
- It is recommended that two people work together to assemble the bed.
- Please not tighten the screws up too much, just to 80% before you finish to make the installation go on successfully.

RETURN POLICY

We believe you will absolutely love your new bed. But for some reason you want to return your item, please contact us within 30 days after receiving and ensure that the bed which you want to return is in a good condition in the original box with all original certificates of purchase, manuals and accessories attached.

HOW TO MAINTAIN YOUR BED:

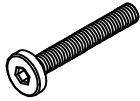
- Check the screws of the bed are not loose from regular use.
- Do not use sharp instruments, rubbing alcohol, corrosive chemicals, or abrasive cleaners to clean the bed.
- Do not keep the bed in a damp environment for a long period of time. The damp environment may cause the iron components to rust and the plates to bulge and crack.

YOU NEED

Hardware arts



A M6x12
32 pcs



B M6x35
8 pcs



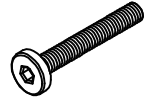
C M6 NUT
8 pcs



D M8x20
8 pcs



E M8x30
8 pcs



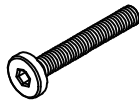
F M8x40
4 pcs



G \varnothing 3x10
2 pcs

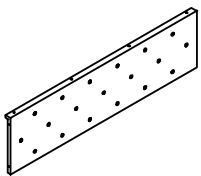


H 4 #
2 pcs

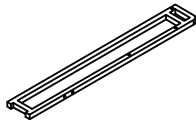


I M6x45
6 pcs

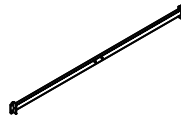
Part list



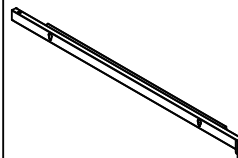
1 1 PC



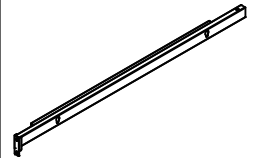
2 2 PCS



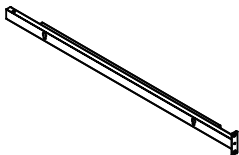
3 1 PC



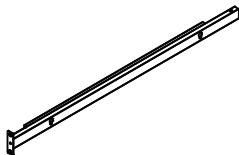
4 1 PC



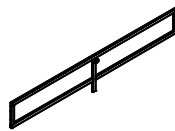
5 1 PC



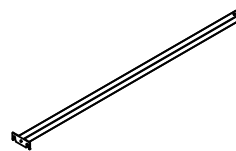
6 1 PC



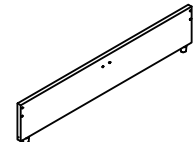
7 1 PC



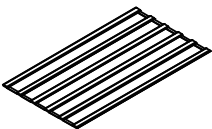
8 1 PC



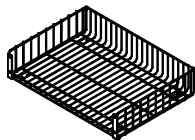
9 2 PCS



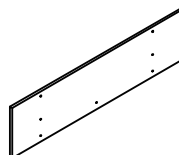
10 1 PC



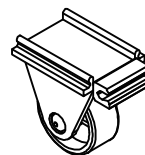
11 2 PCS



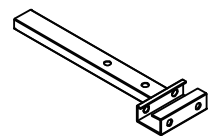
12 4 PCS



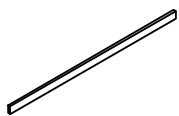
13 4 PCS



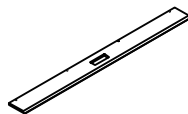
14 16 PCS



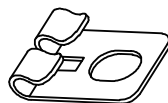
15 2 PCS



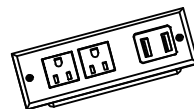
16 1 PC



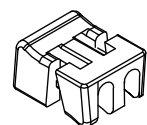
17 1 PC



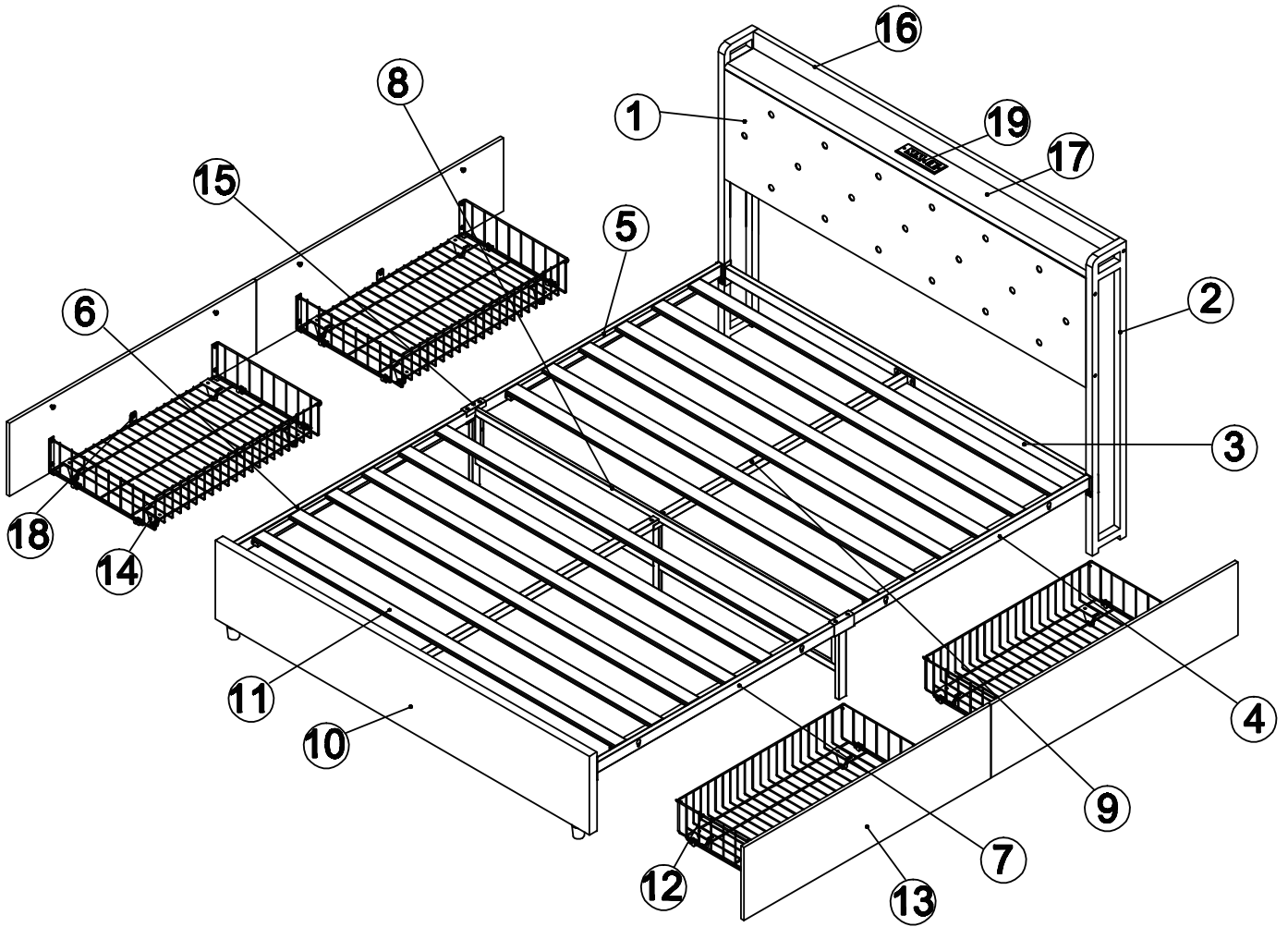
18 4 PC





19 1 PC

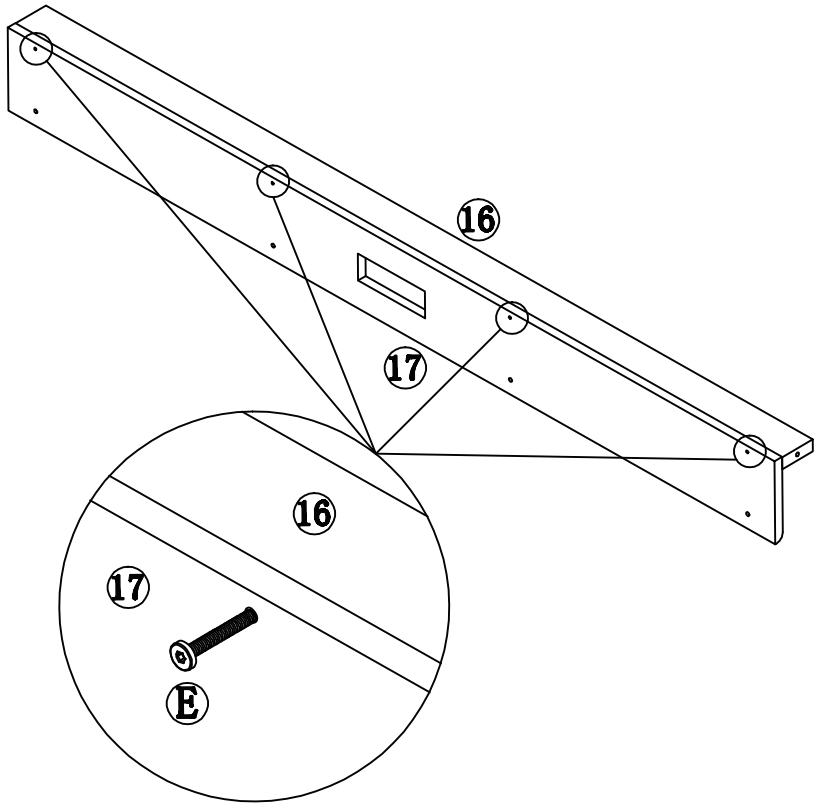




20 8 PCS

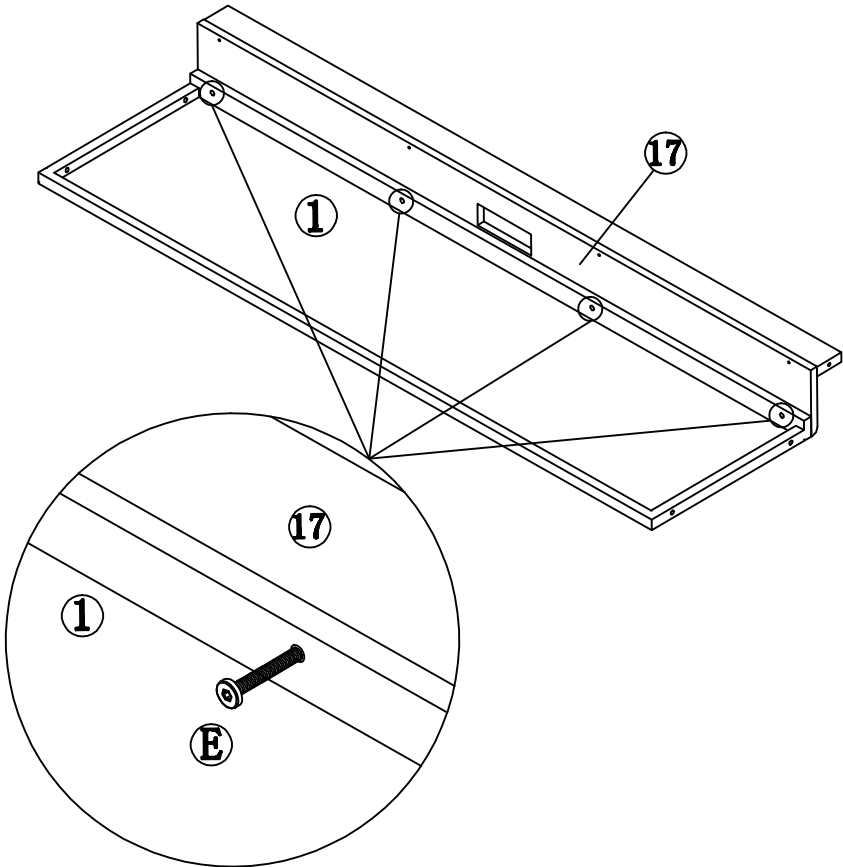


PRODUCT ASSEMBLY



E	 M8x30	4pcs
H	 4 #	1pc

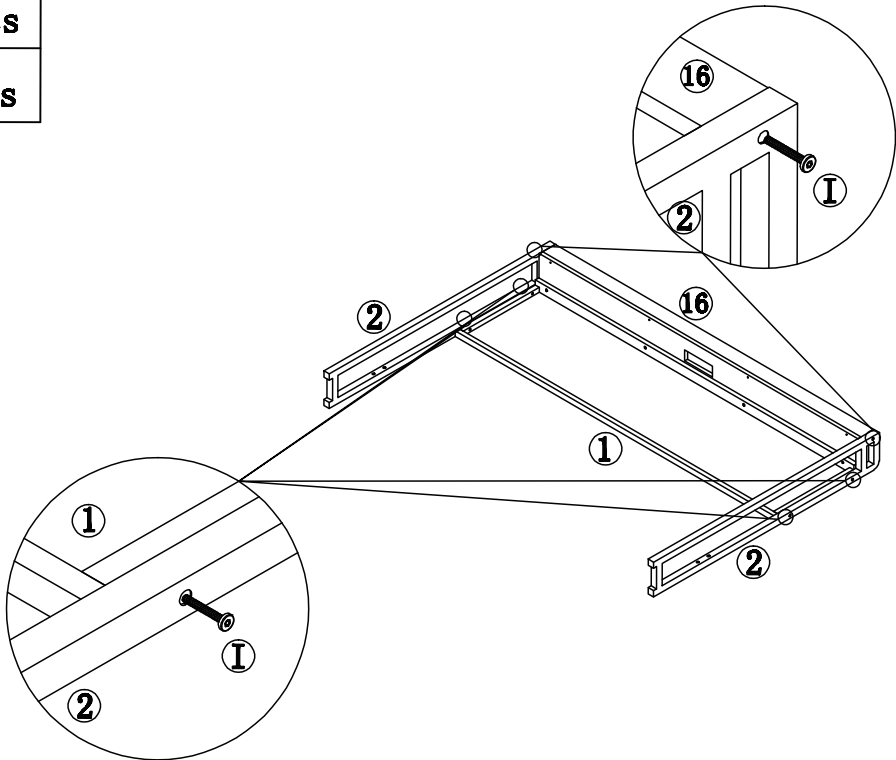





E	 M8x30	4pcs
H	 4 #	1pc

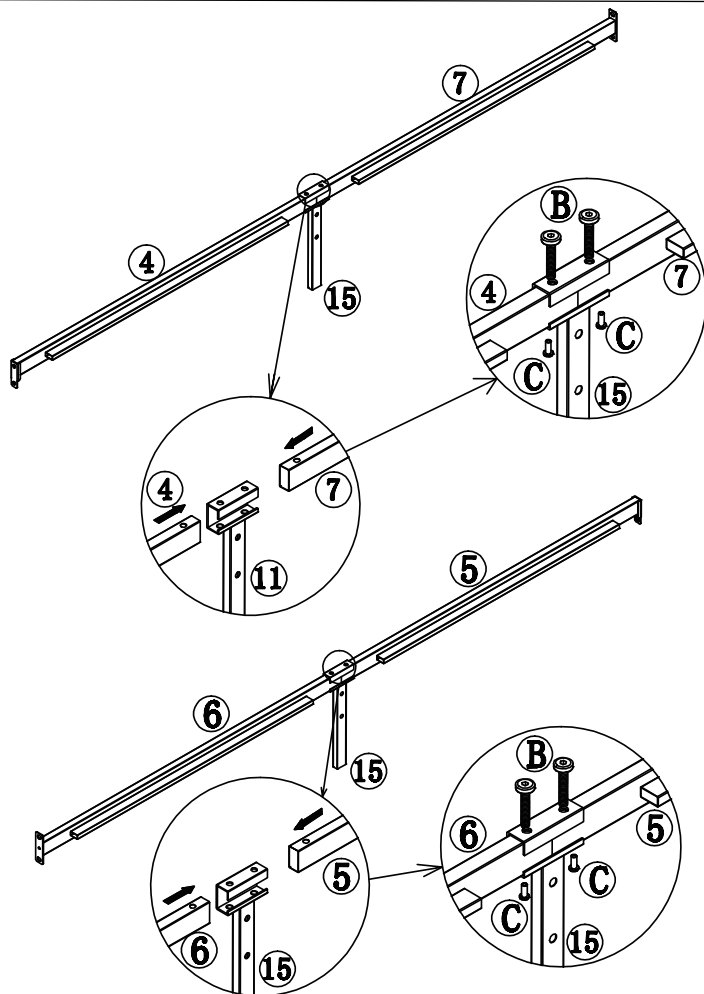


PRODUCT ASSEMBLY





I		M6x45	6pcs
H		4 #	1pcs

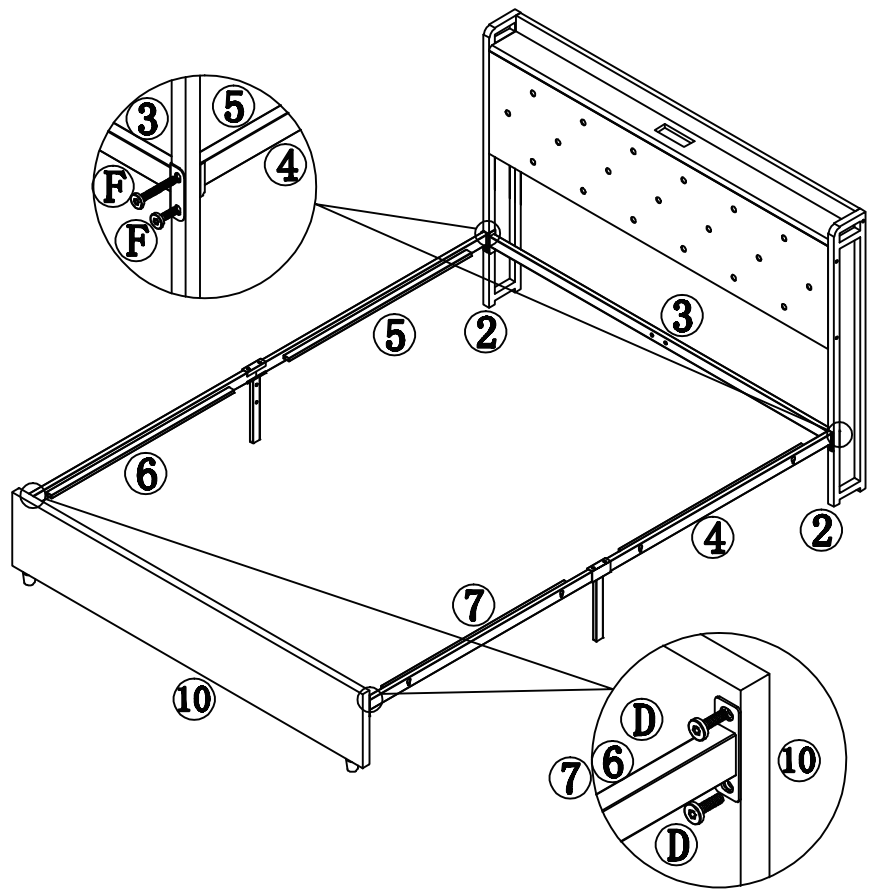




B		M6x35	4pcs
C		M6 NUT	4pcs
H		4 #	2pc

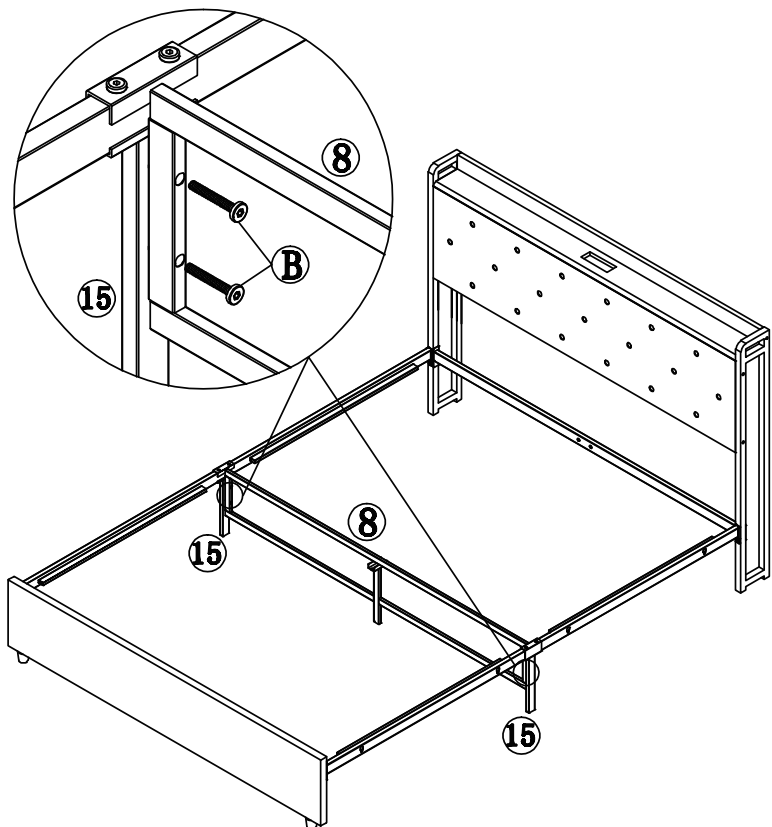


PRODUCT ASSEMBLY



D		M8x20	4pcs
F		M8x40	4pcs
A		M6x12	2pcs
H		4 #	2pcs

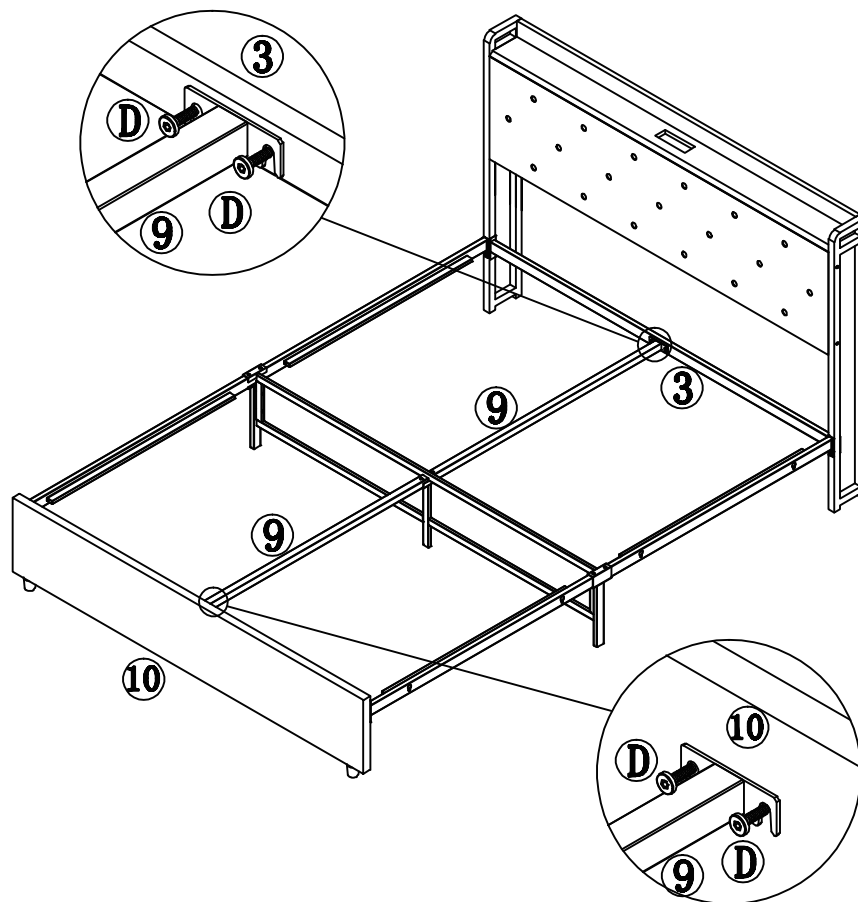





B		M6x35	4pcs
H		4 #	1pc

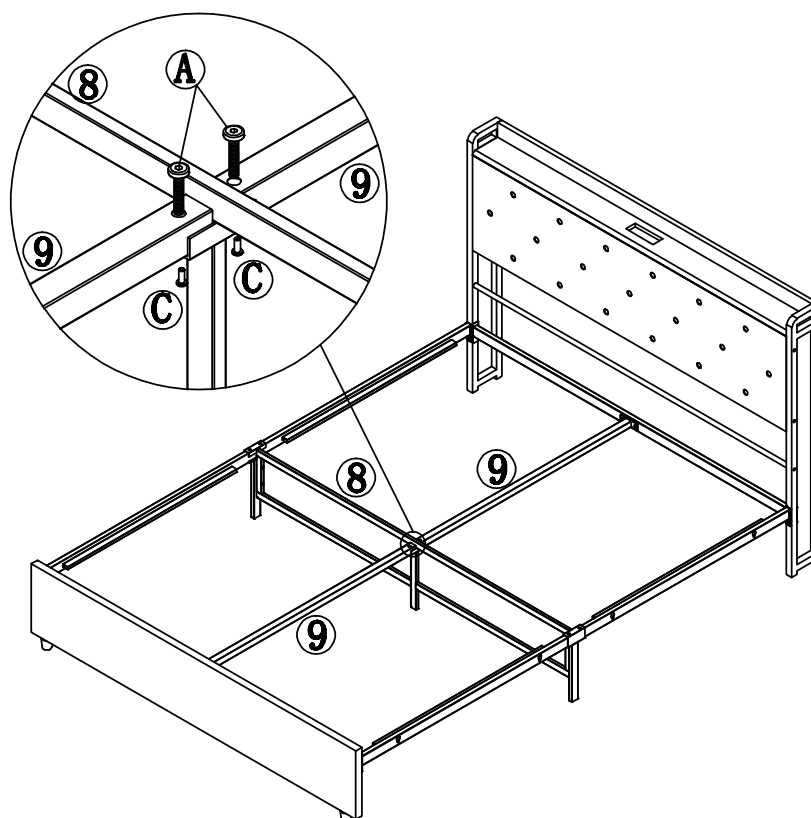


PRODUCT ASSEMBLY

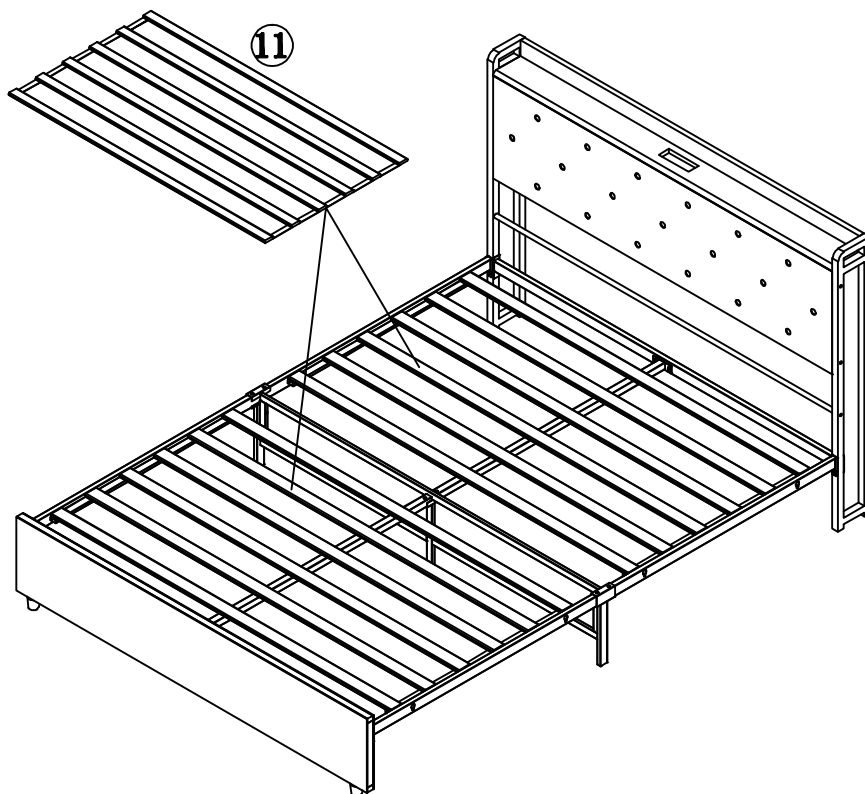
D	 M8x20	4pcs
H	 4 #	1pc



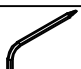


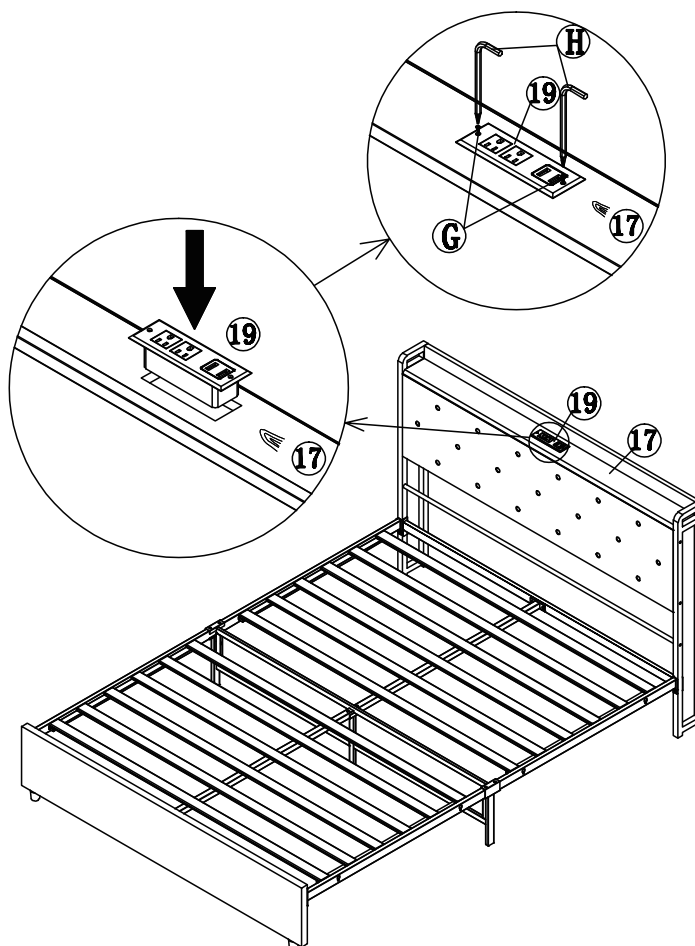
A	 M6x12	2pcs
C	 M6 NUT	2pcs
H	 4 #	2pcs






PRODUCT ASSEMBLY

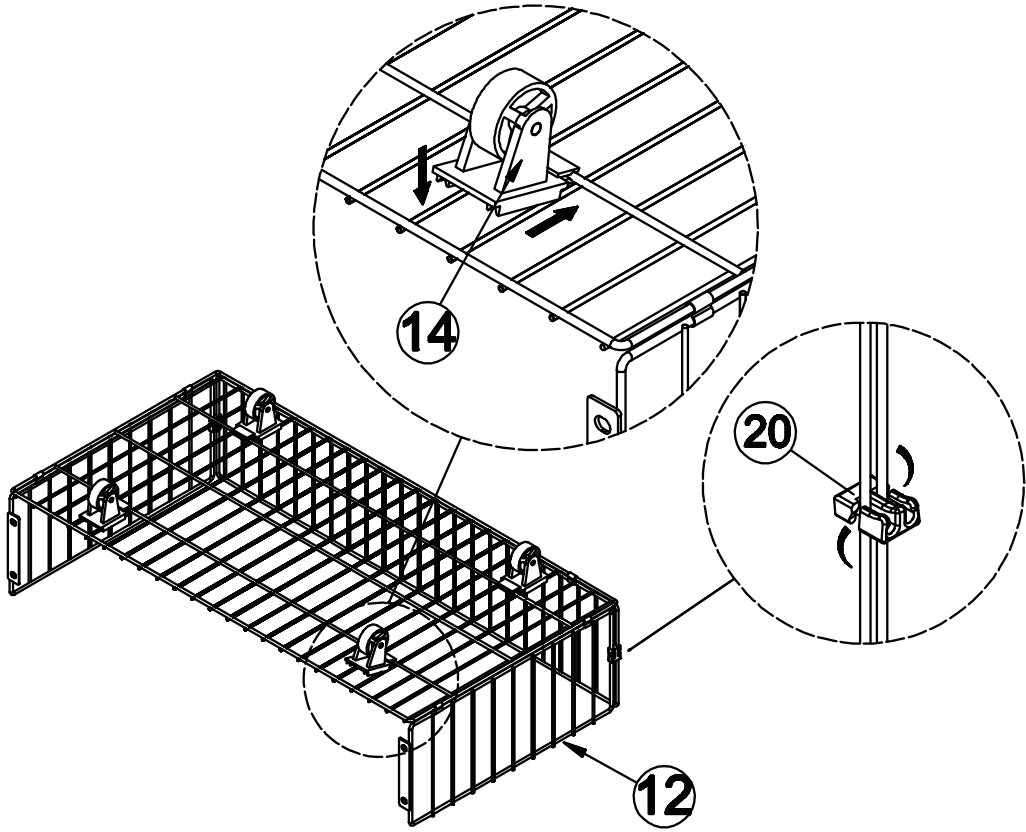


G	 $\varnothing 3 \times 10$	2pcs
19		1pc
H	 4 #	1pc





PRODUCT ASSEMBLY

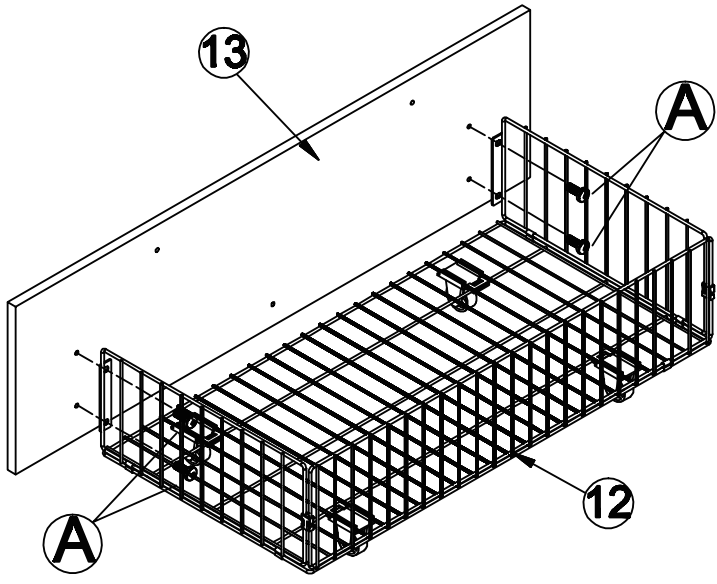
H		4 #	1pc
14			16pcs
20			8pcs



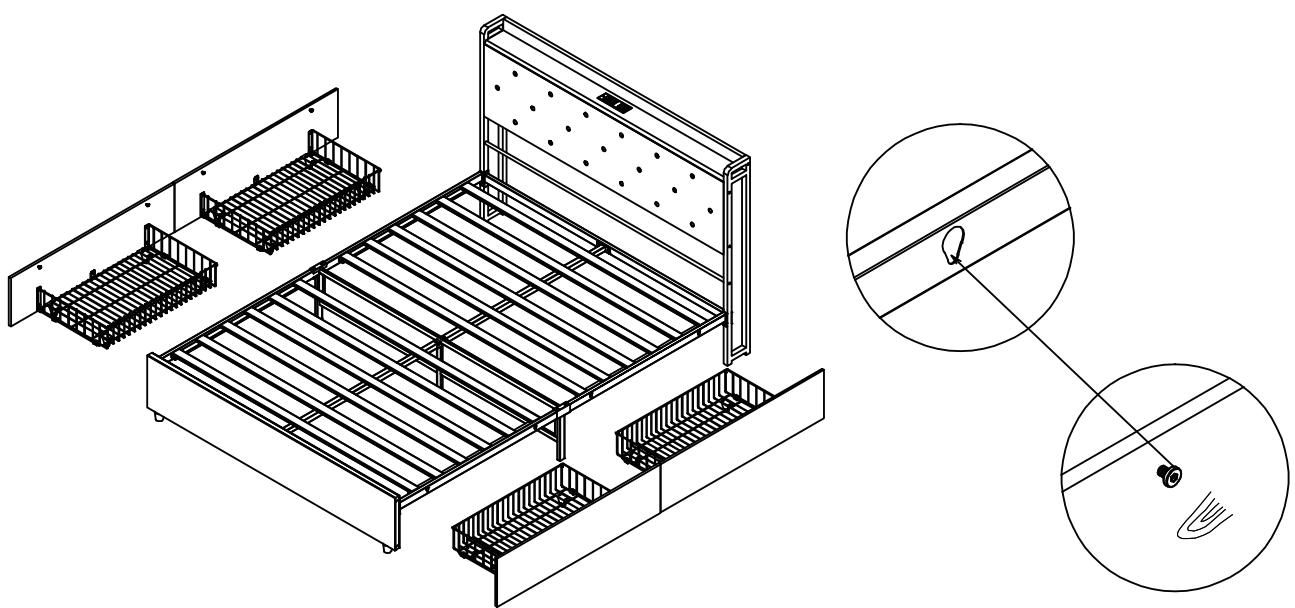
x 4

PRODUCT ASSEMBLY

A	 M6x12	16pcs
H	 4 #	1pc



x 4



CONTACT US!

Dear customer, thank you for purchasing products! We are proud to present our customers with high quality products!



If you have any product quality or use problems, please contact our customer service by email, we will ensure your satisfaction.



If you are satisfied with our products, please share your amazing experience with us and other customers! It would be our honor to hear from you!