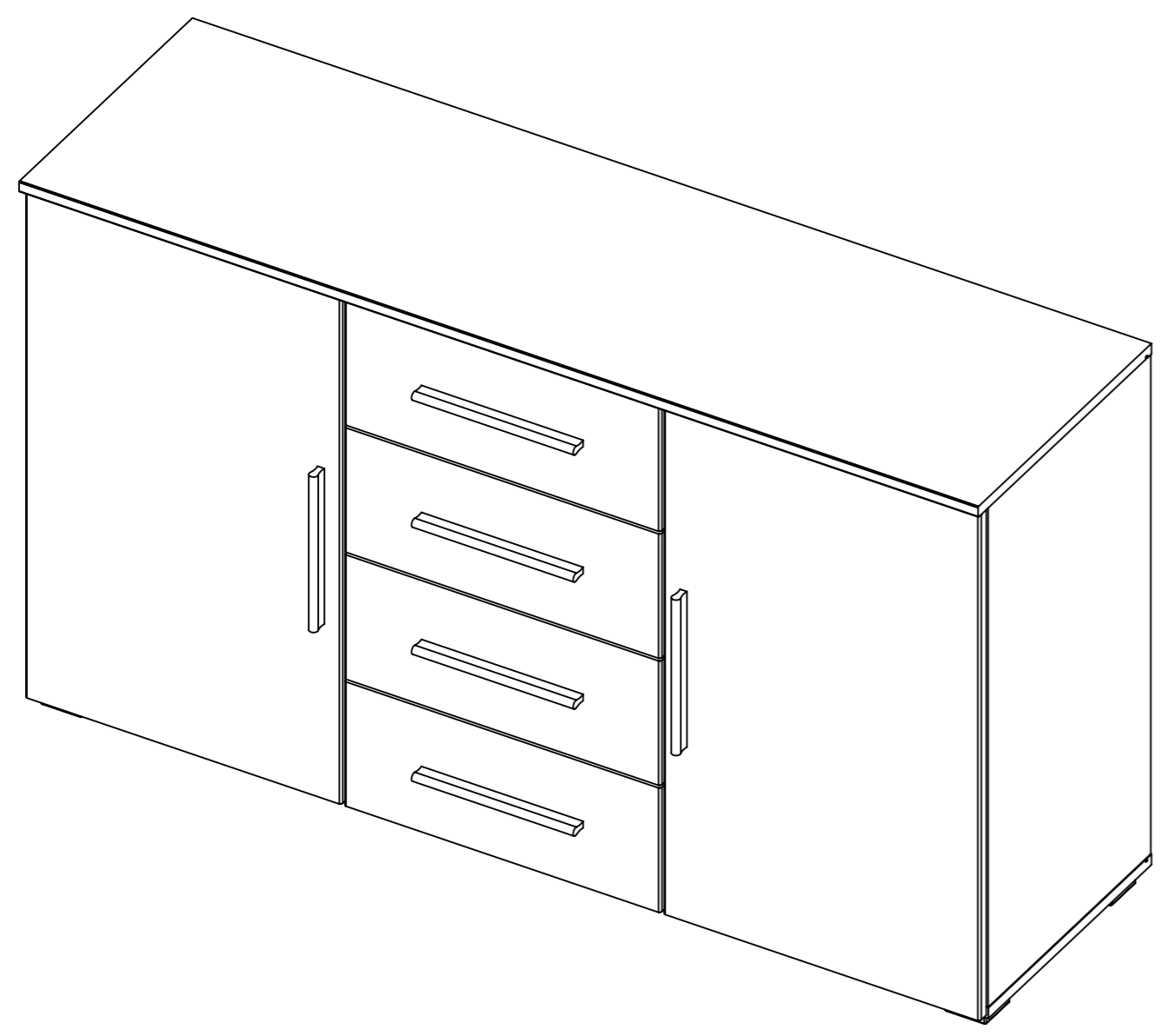
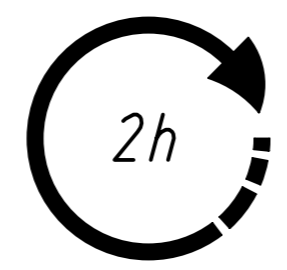
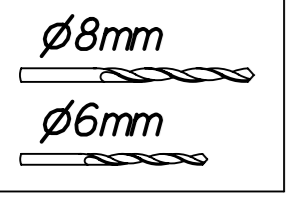
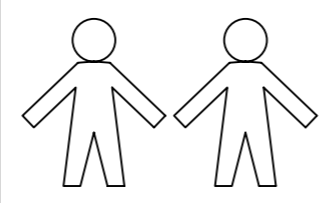
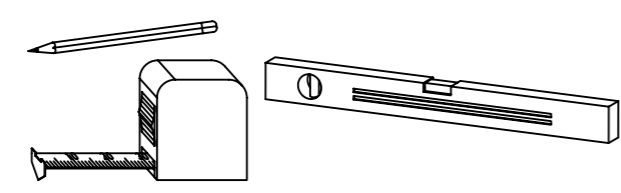
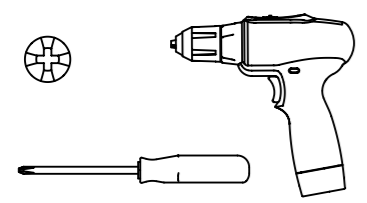


1.

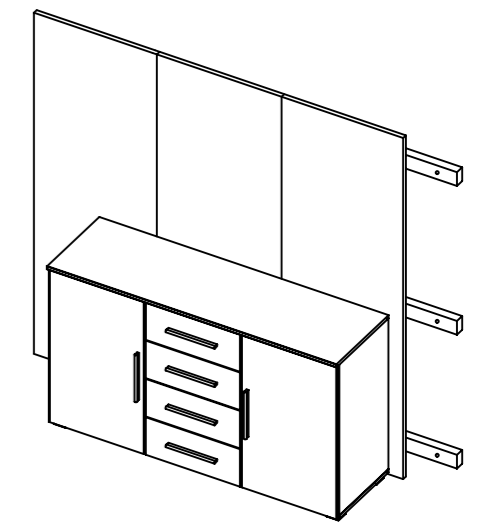
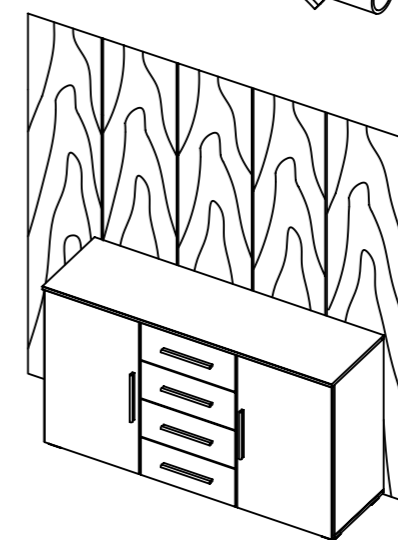
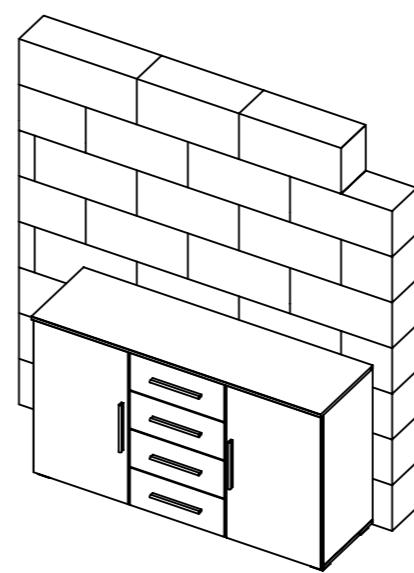
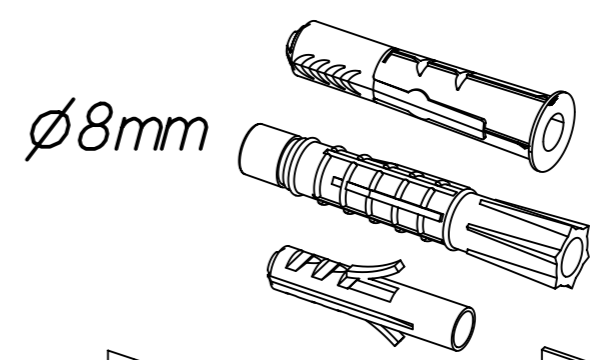
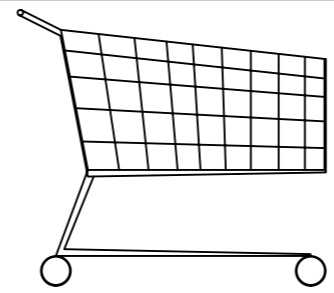
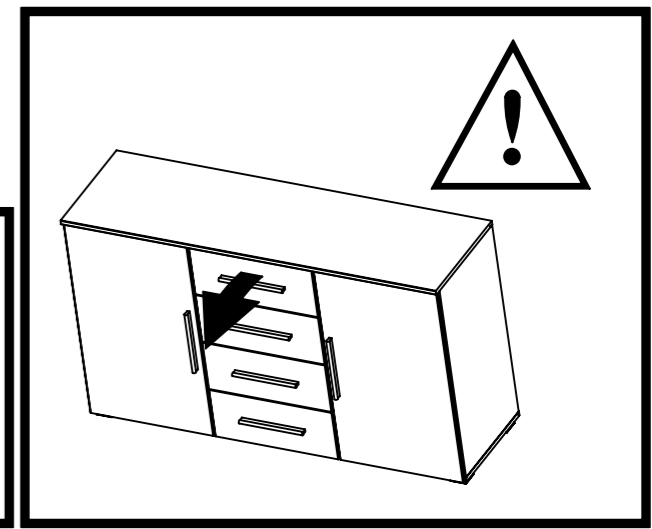
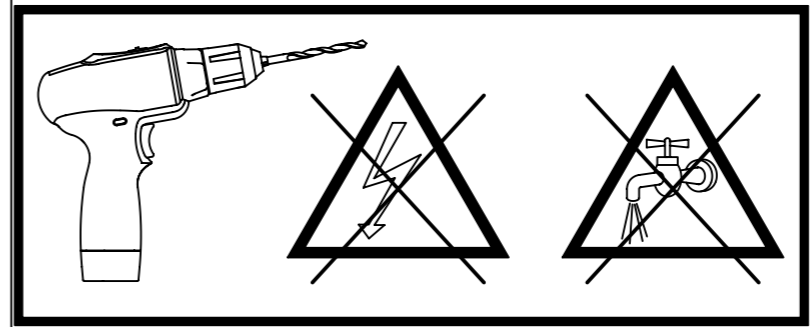
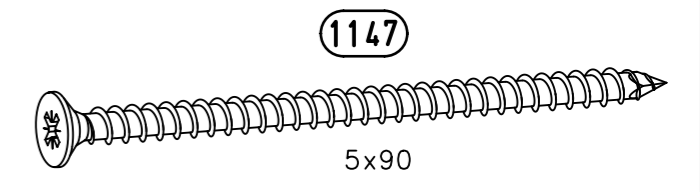
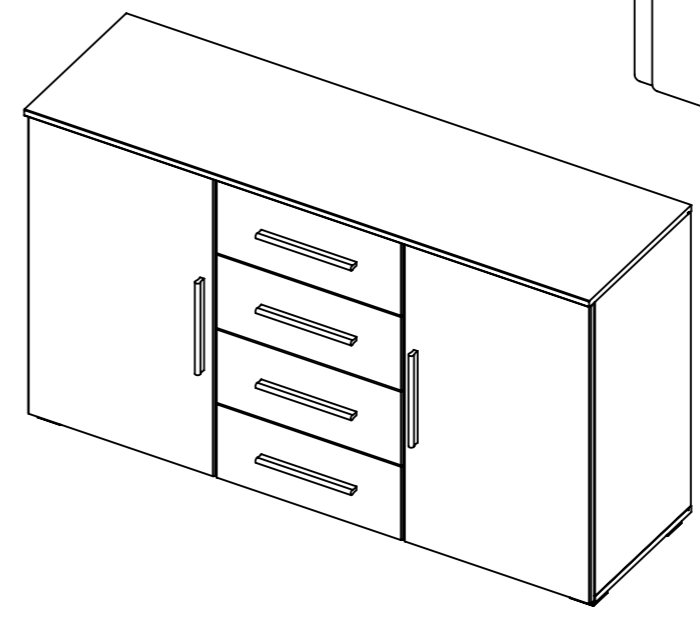
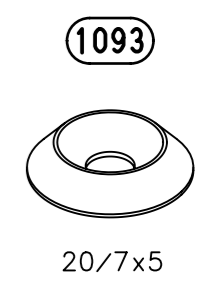
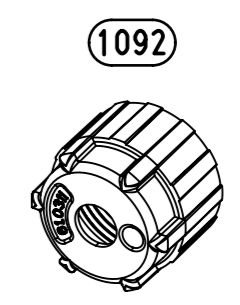
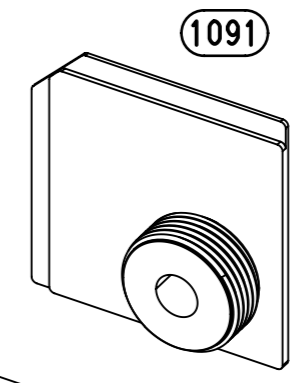
M2115_03

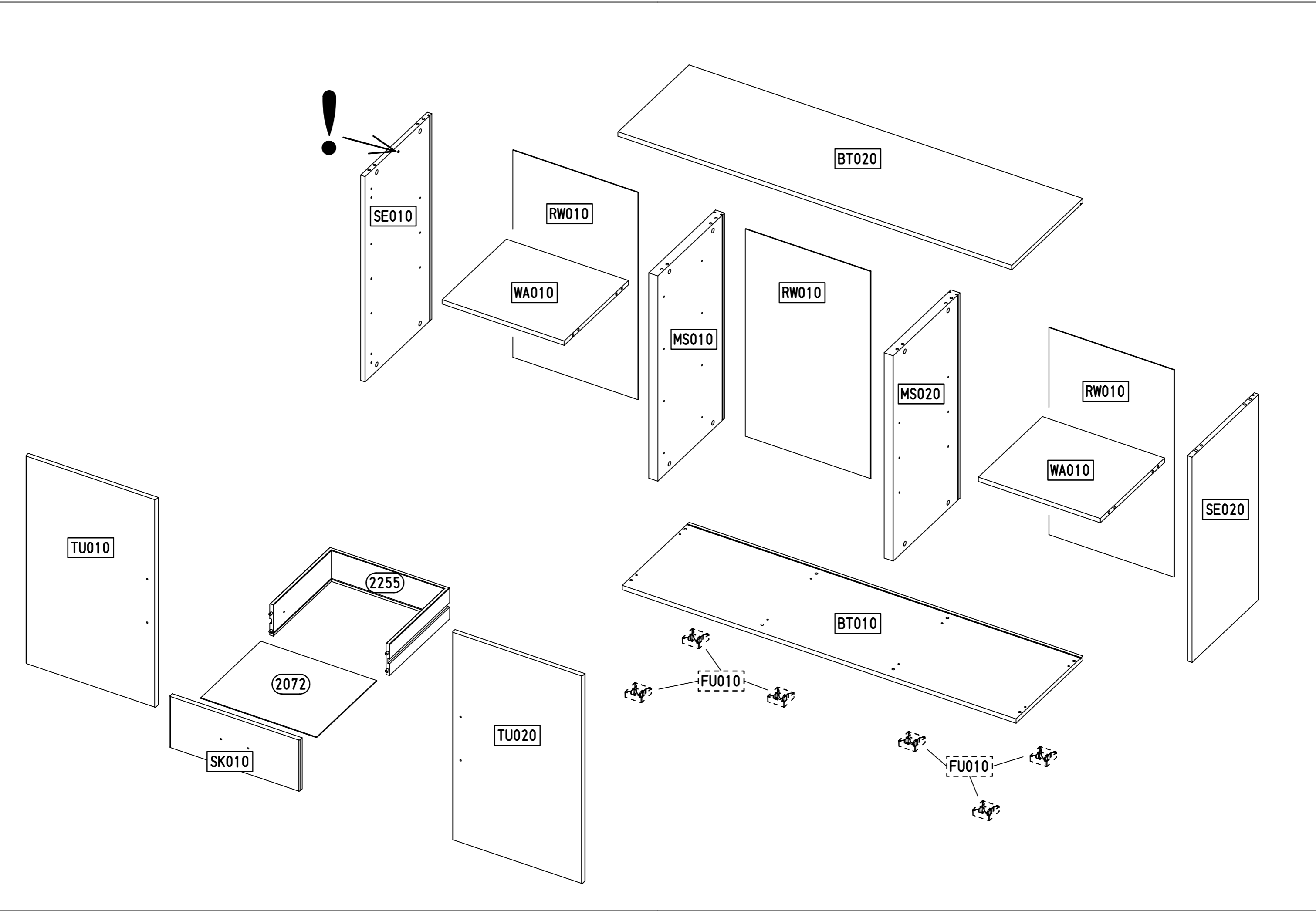
rauch


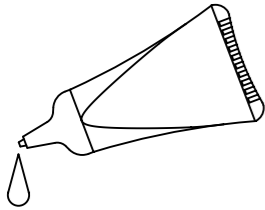
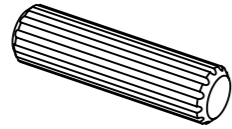
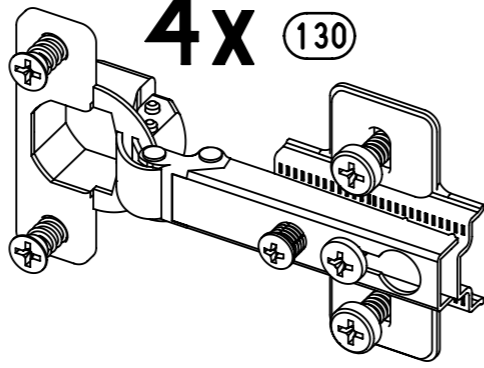
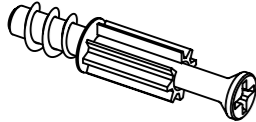

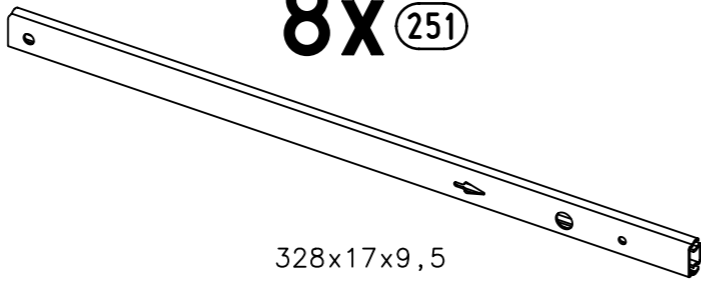


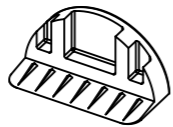



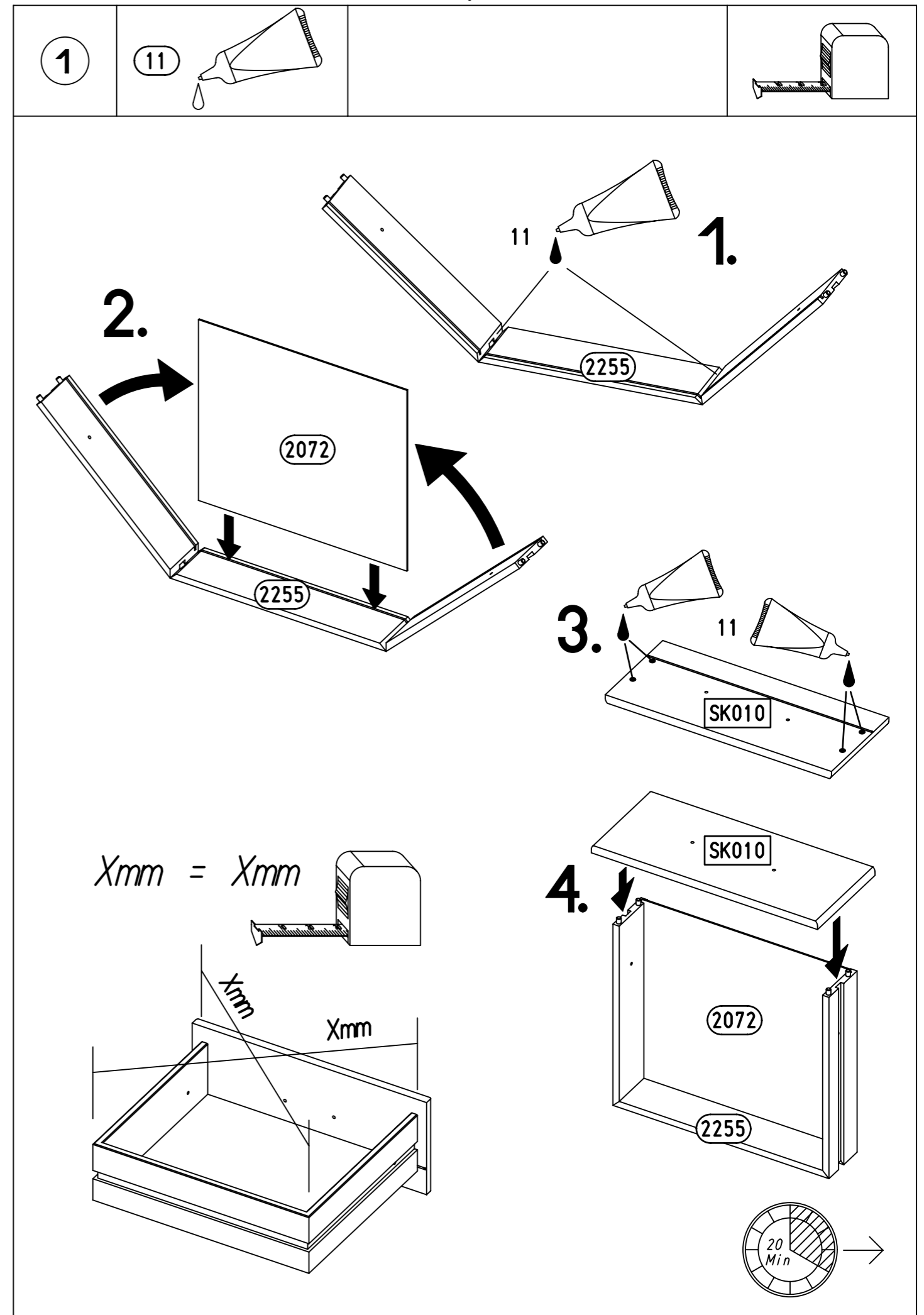
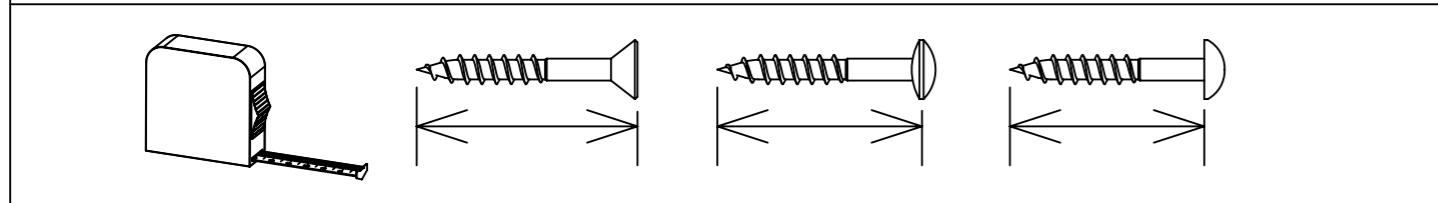
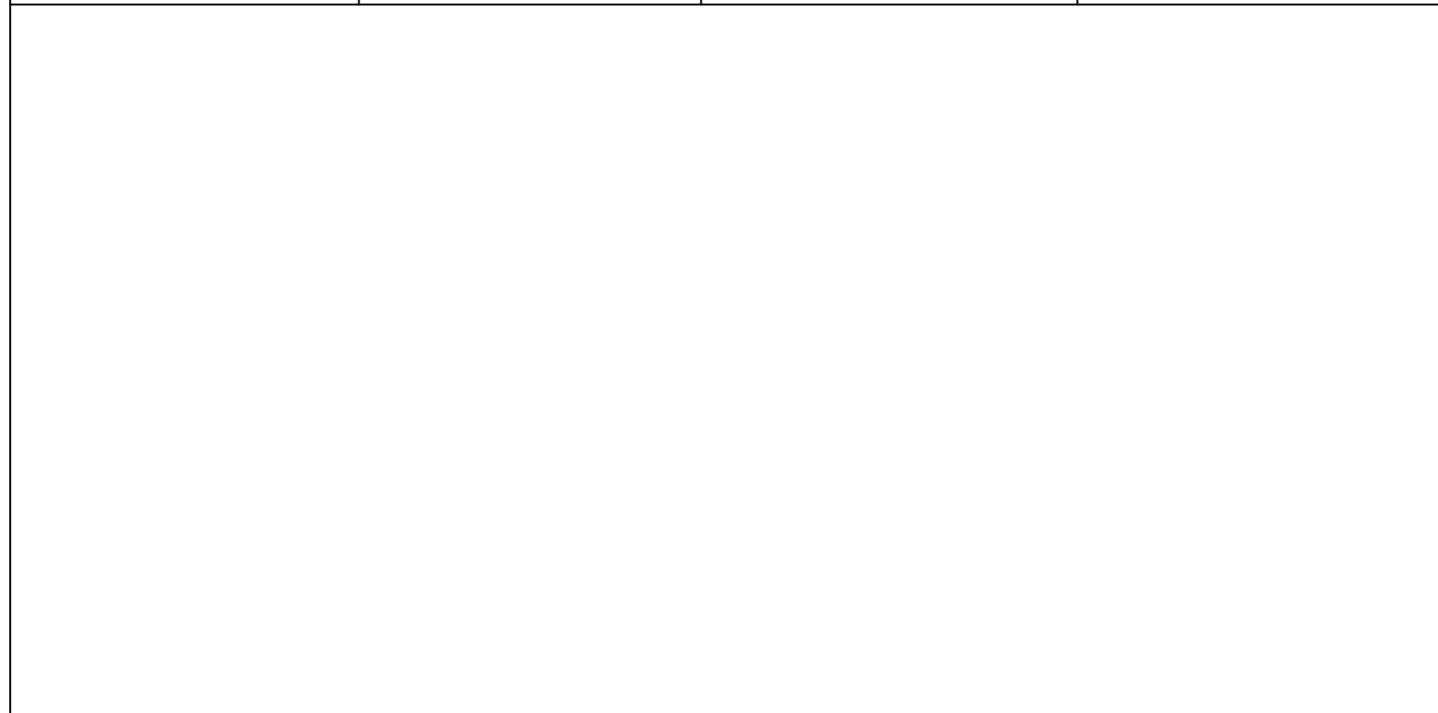
2.

2x

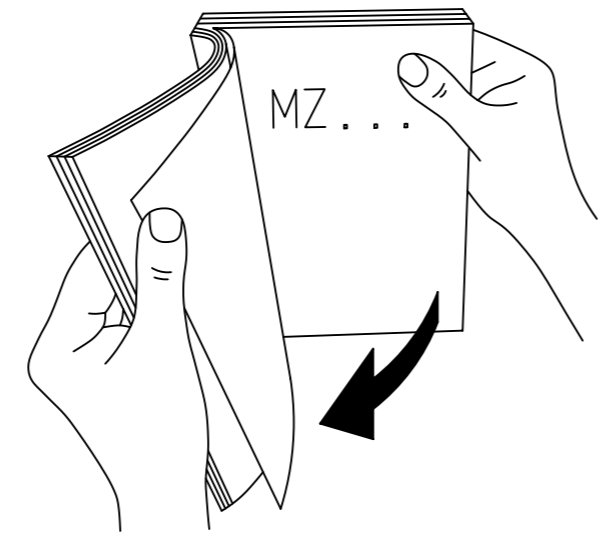
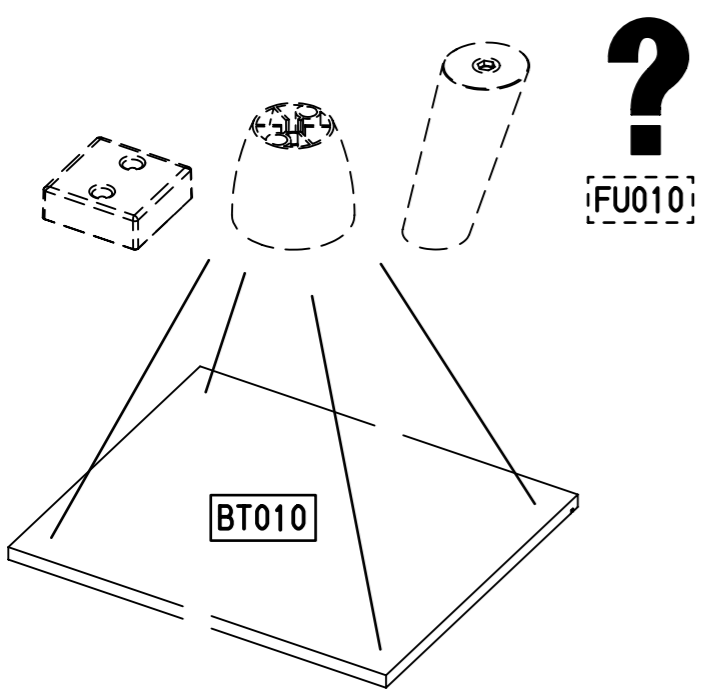
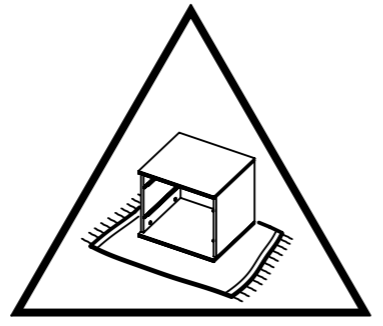
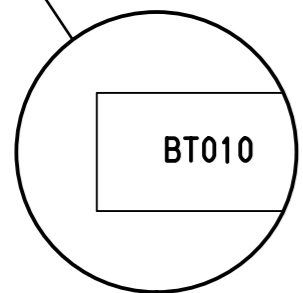
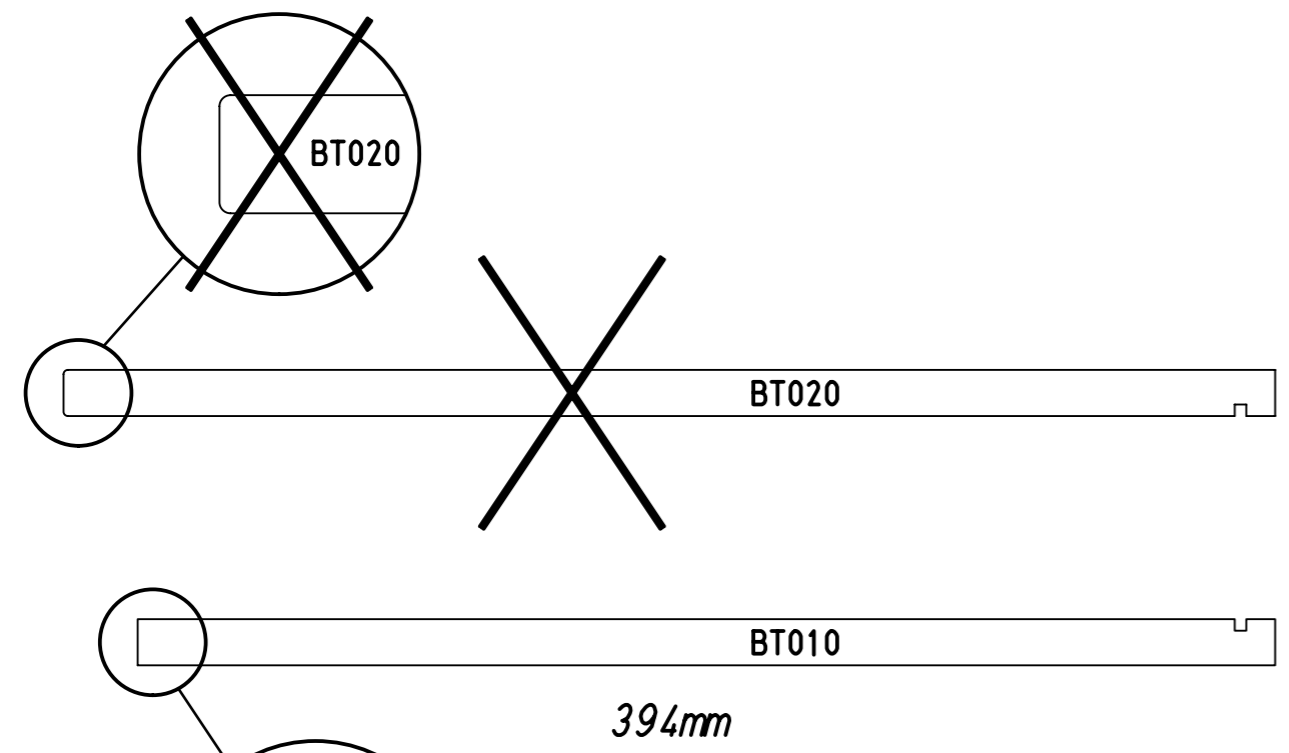




 	<p>16x 18</p>  <p>8x30</p>	<p>4x 130</p> 	
<p>16x 183</p>  <p>23/10x7,5/6,5</p>	<p>16x 227</p>  <p>6x10,5</p>	<p>8x 251</p>  <p>328x17x9,5</p>	
<p>16x 349</p> 	<p>8x 568</p>  <p>M4x9</p>	<p>12x 1090</p> 	<p>8x 1105</p> 



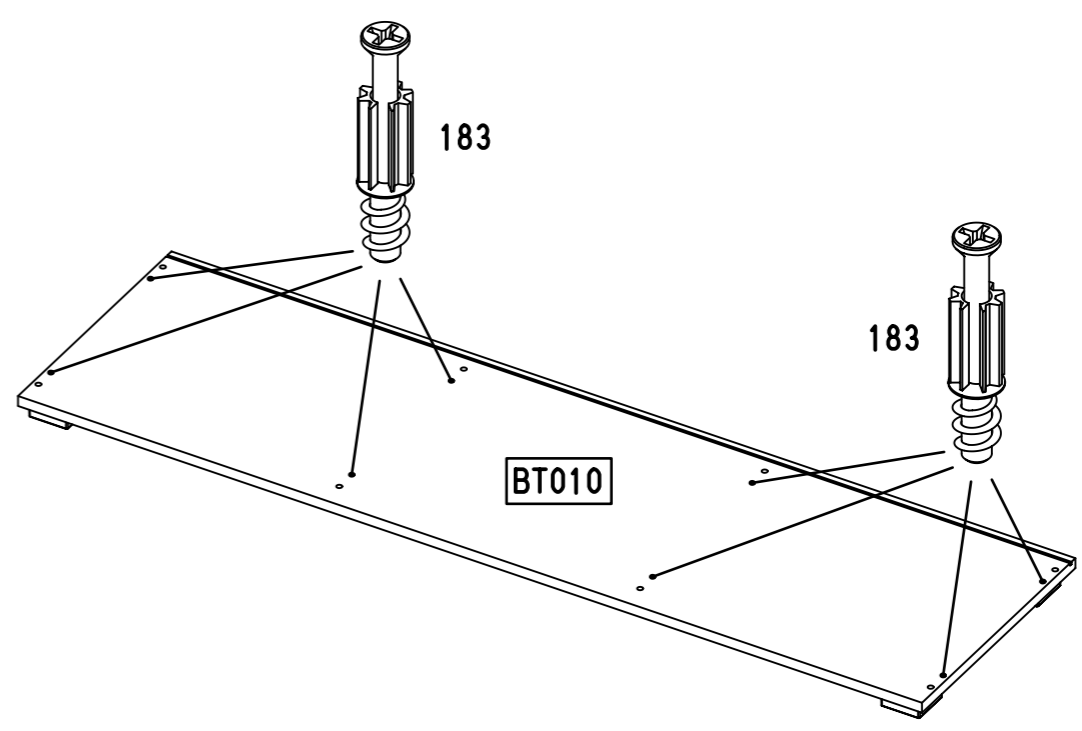
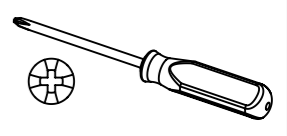
2



3

8x 183

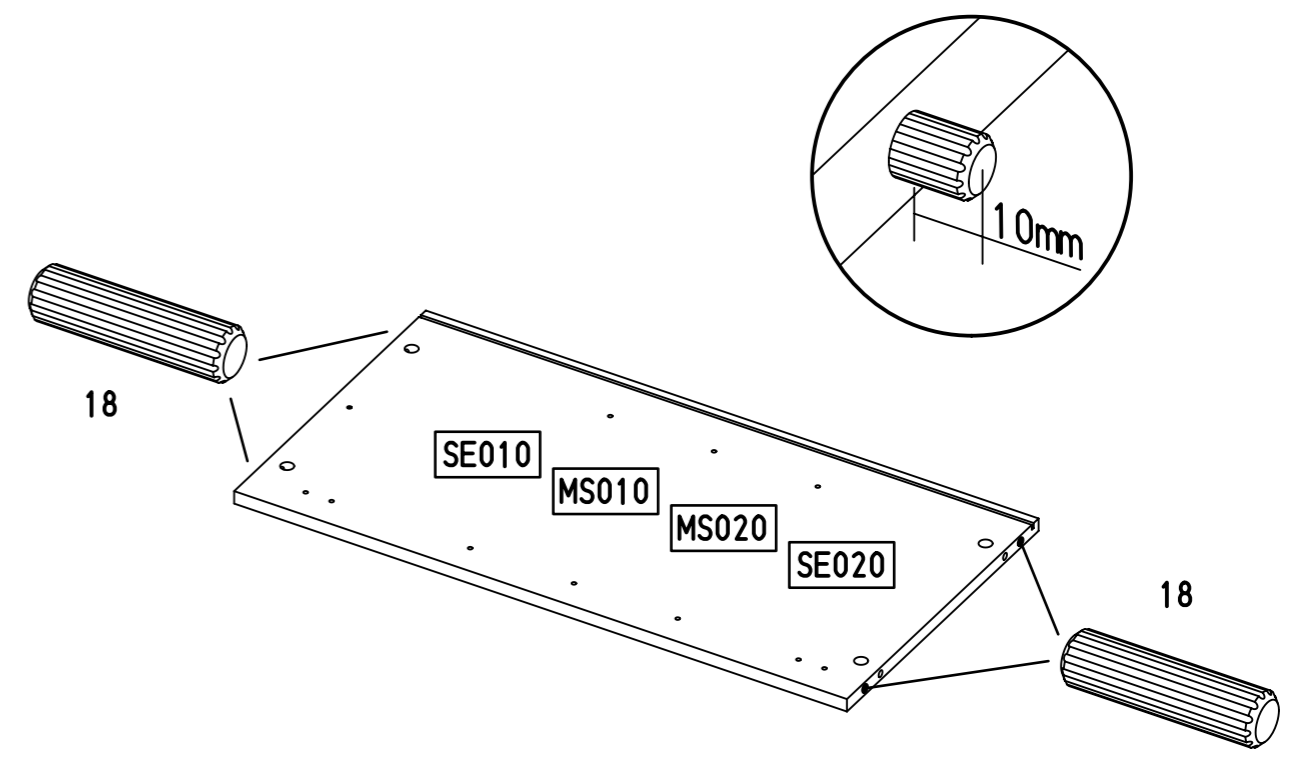
23/10x7,5/6,5



4

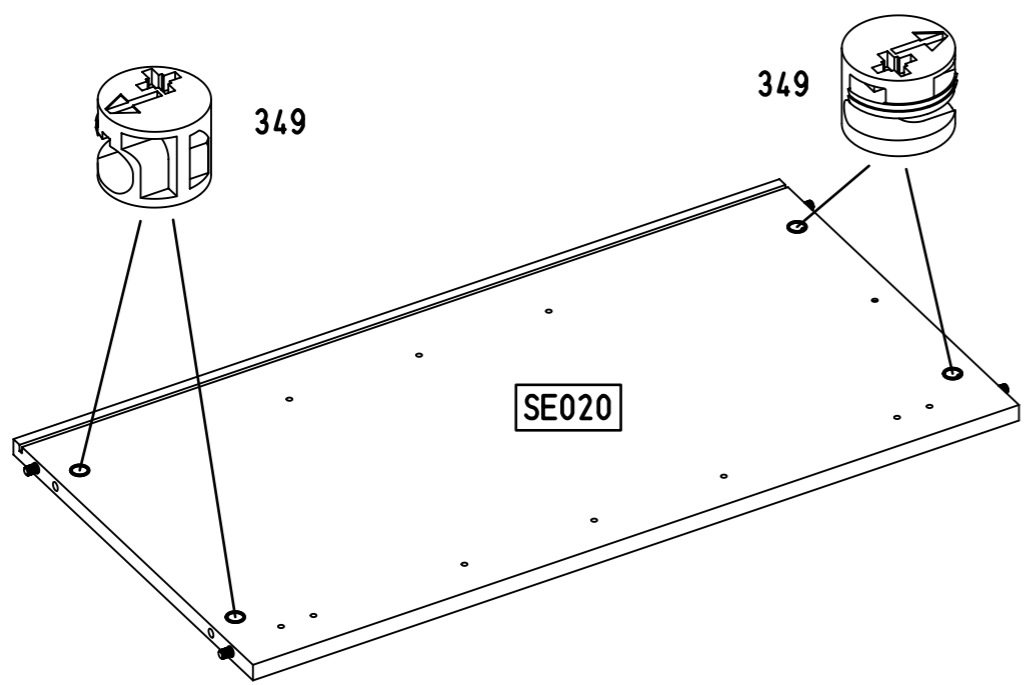
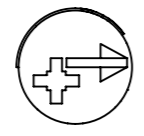
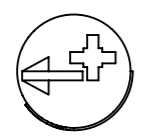
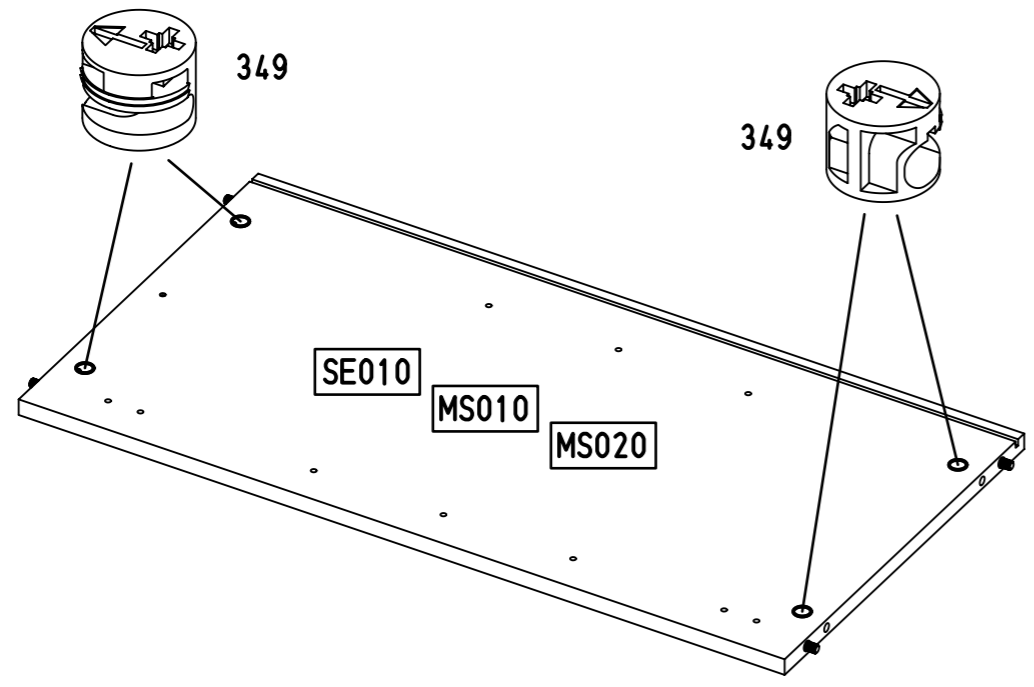
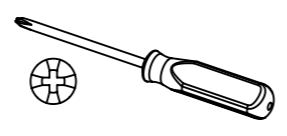
16x 18

8x30



5

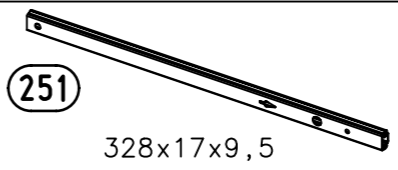
16x 349



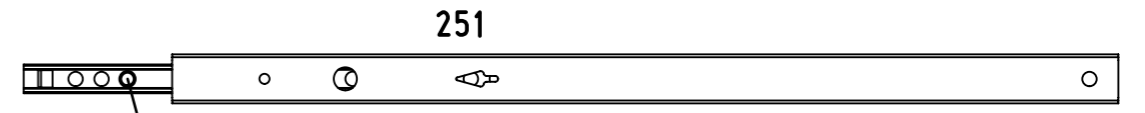
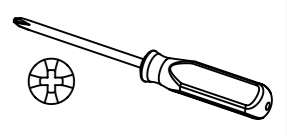
6

4x 251

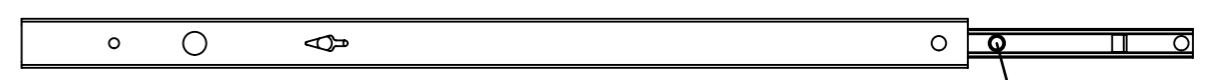
328x17x9,5



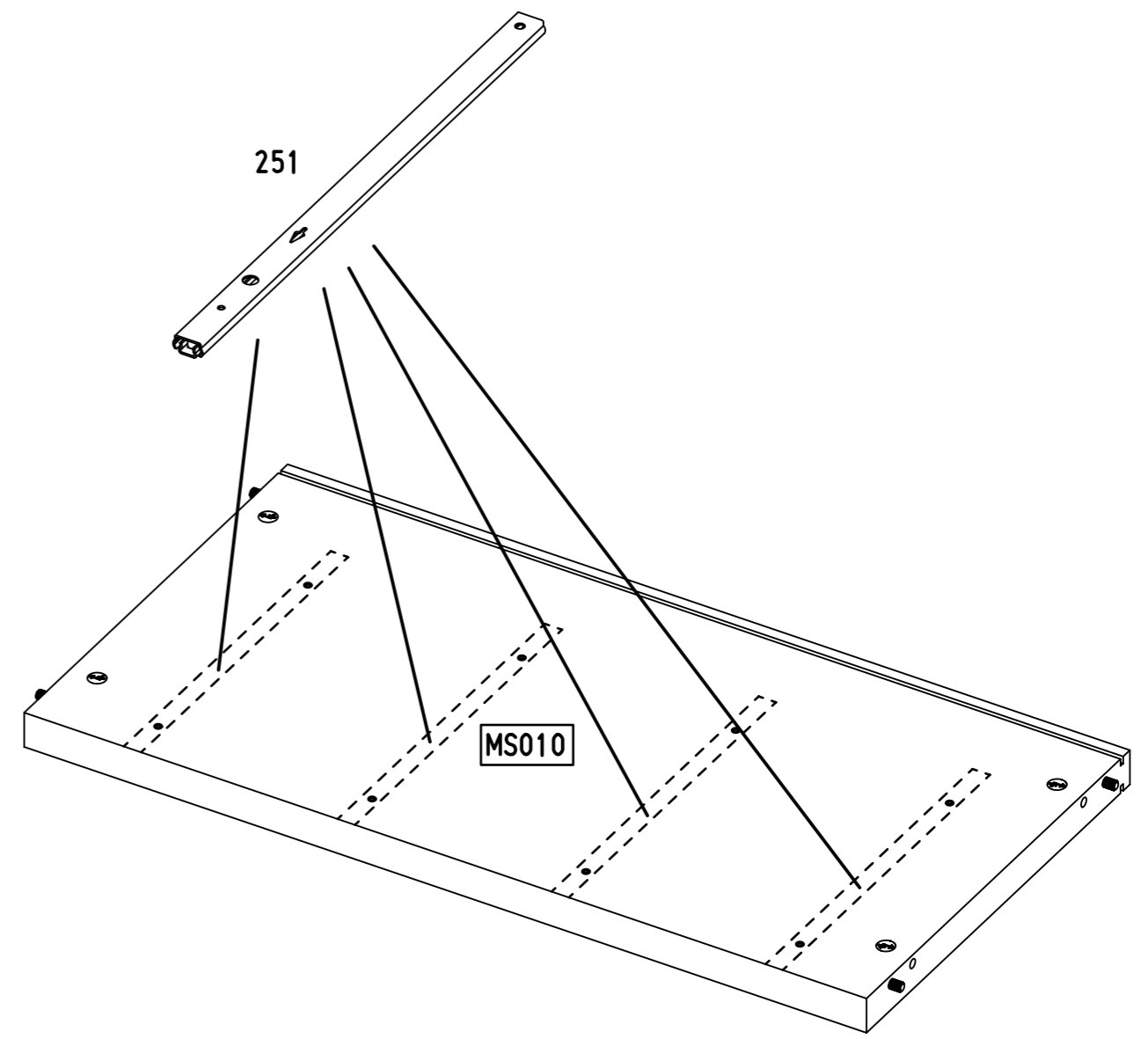
8x 227



1.

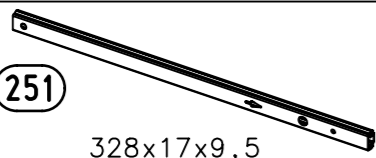


2.



7

4x (251)

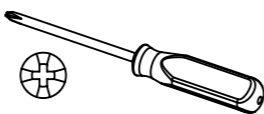


328x17x9,5

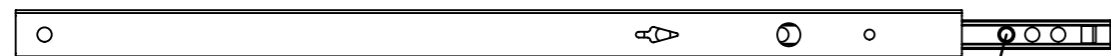
8x (227)



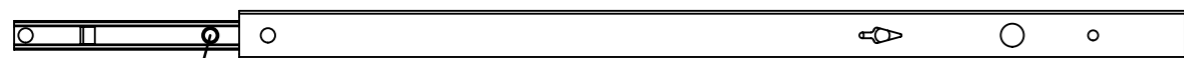
6x10,5



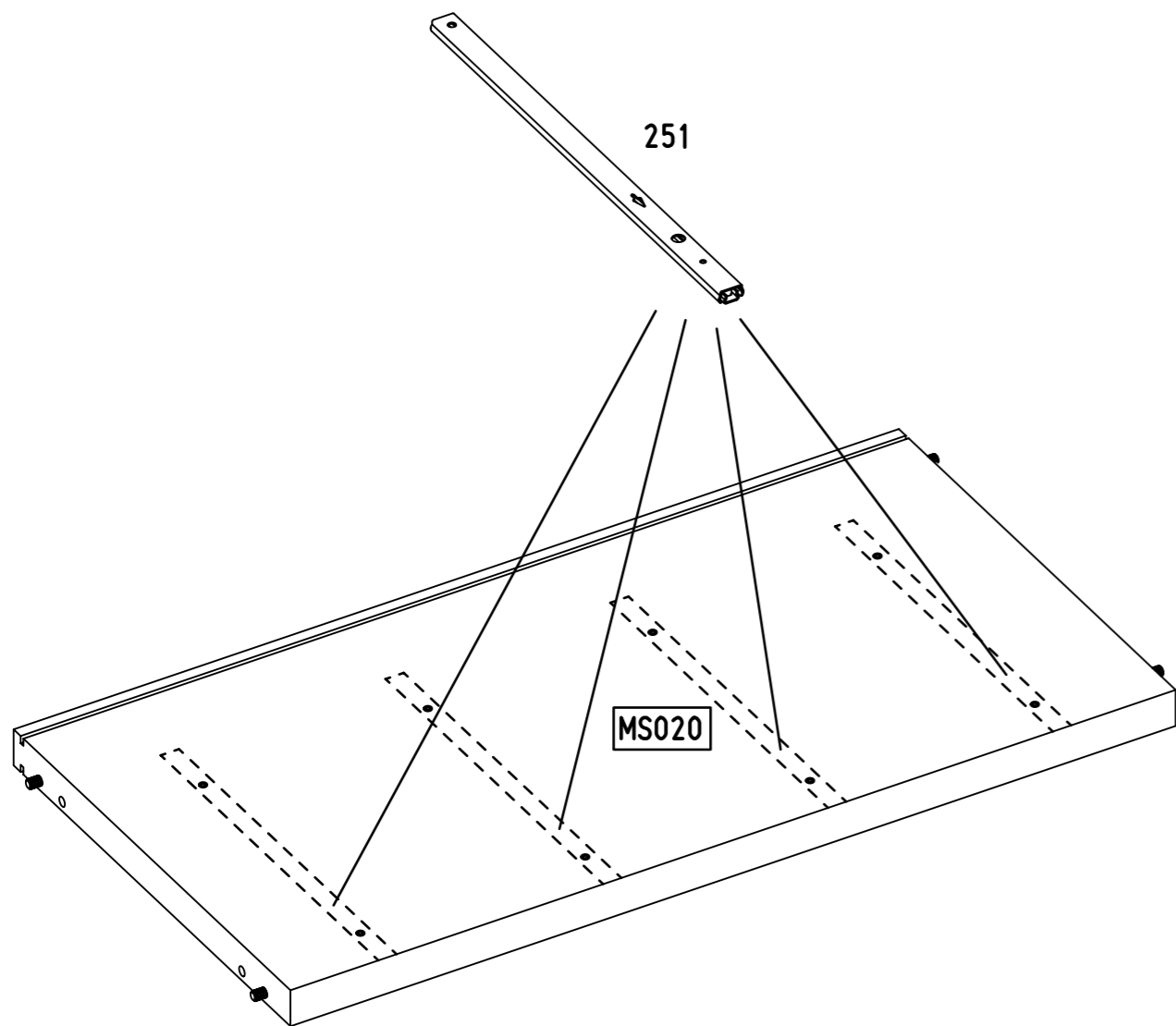
251



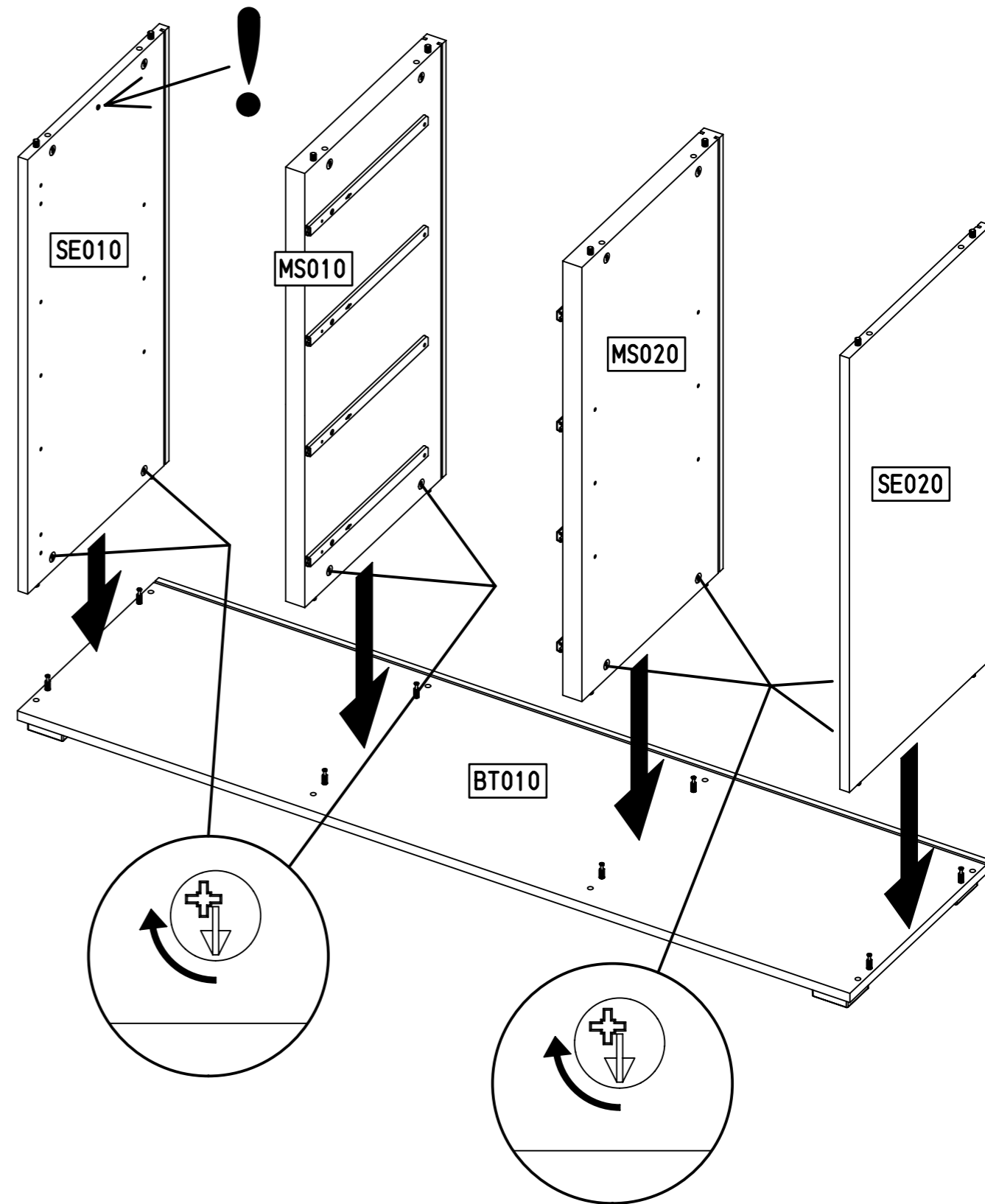
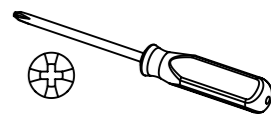
227 1.



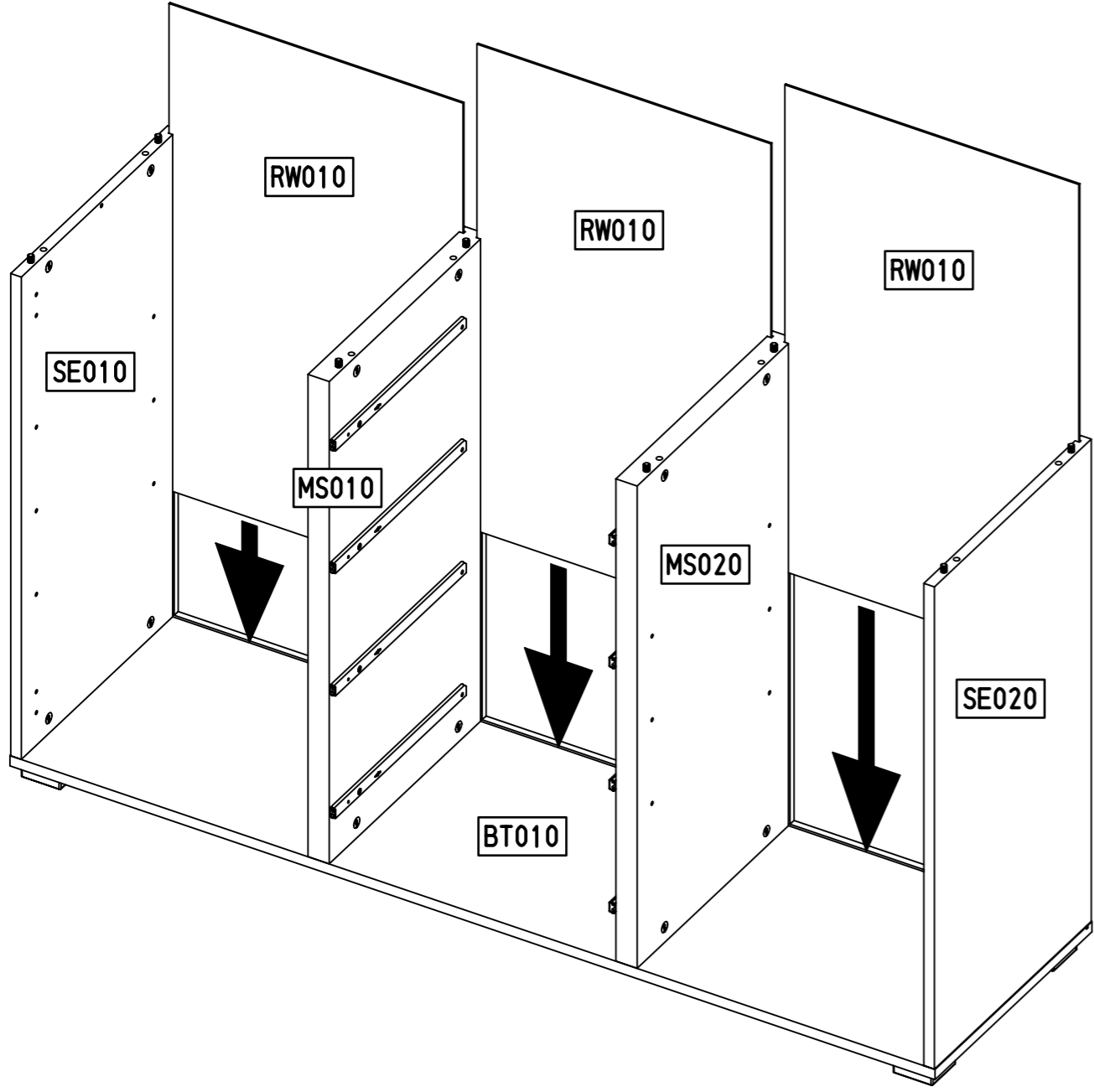
227 2.



8

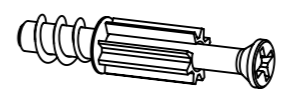


9

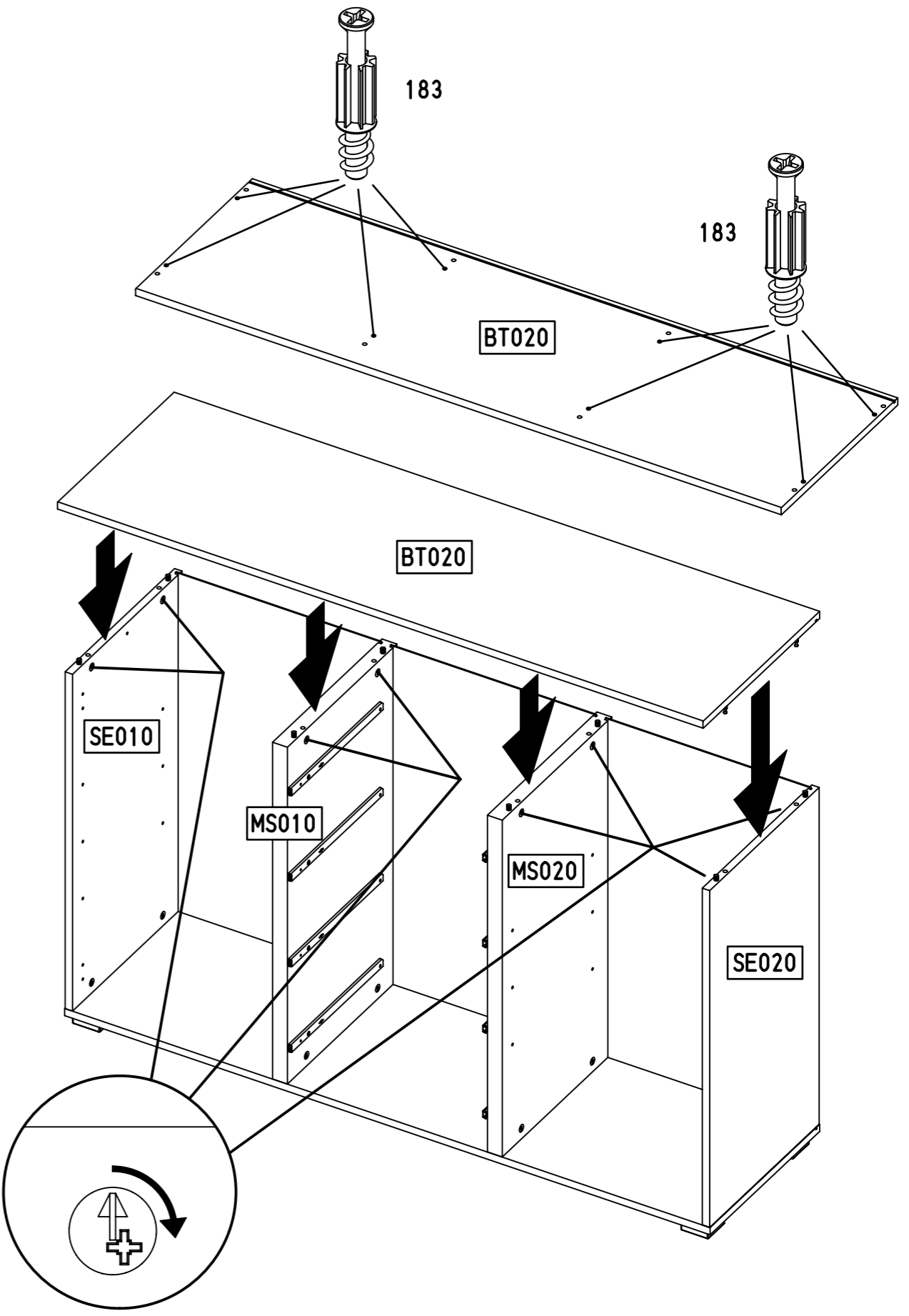
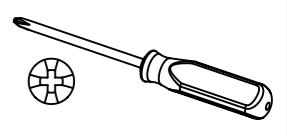


10

8x 183

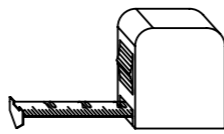
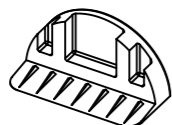


23/10x7,5/6,5

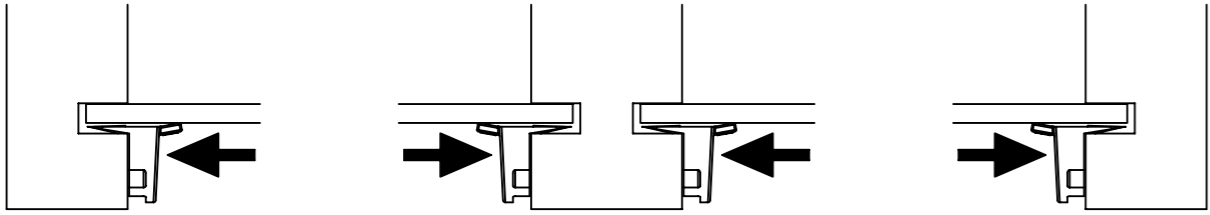
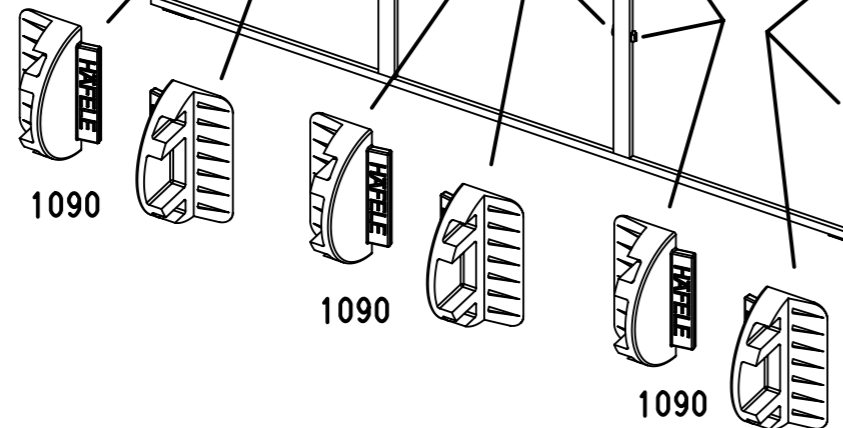
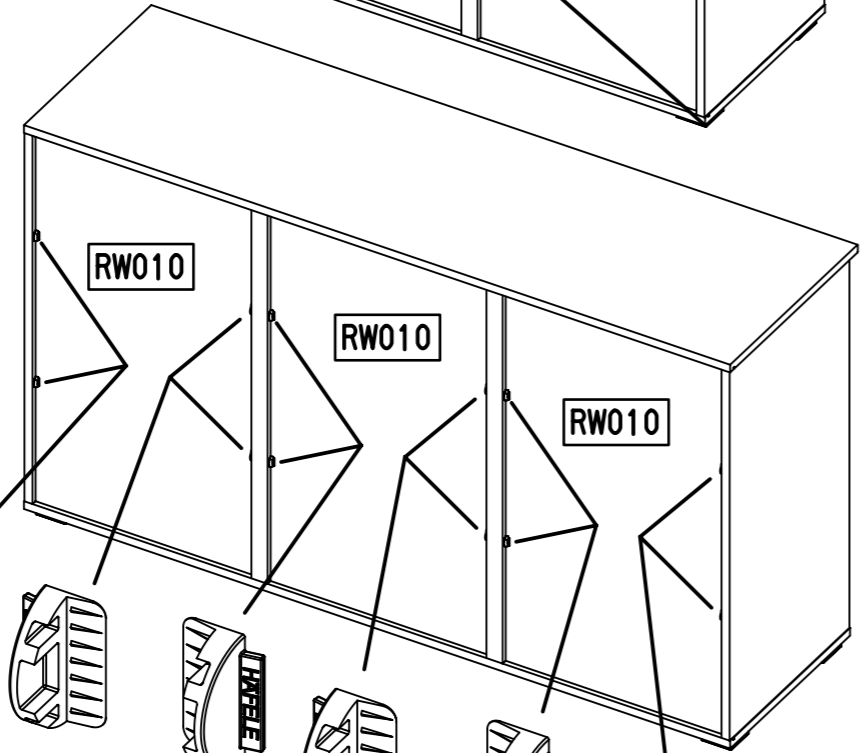
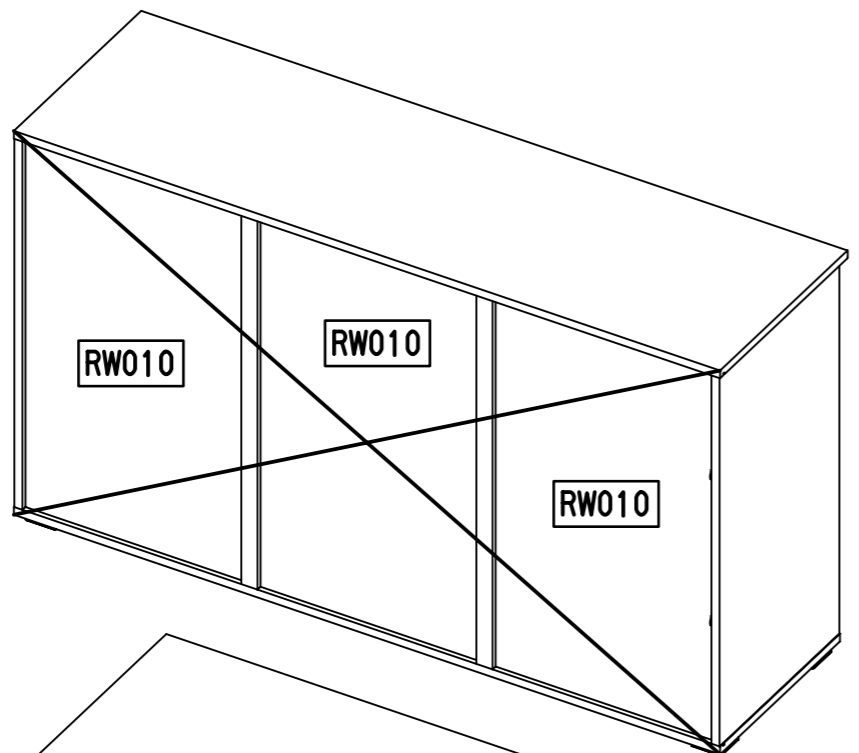
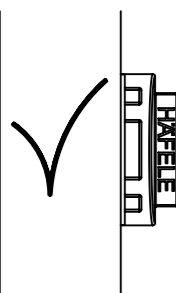
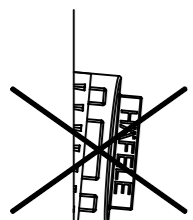
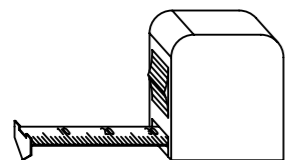


11

12x 1090

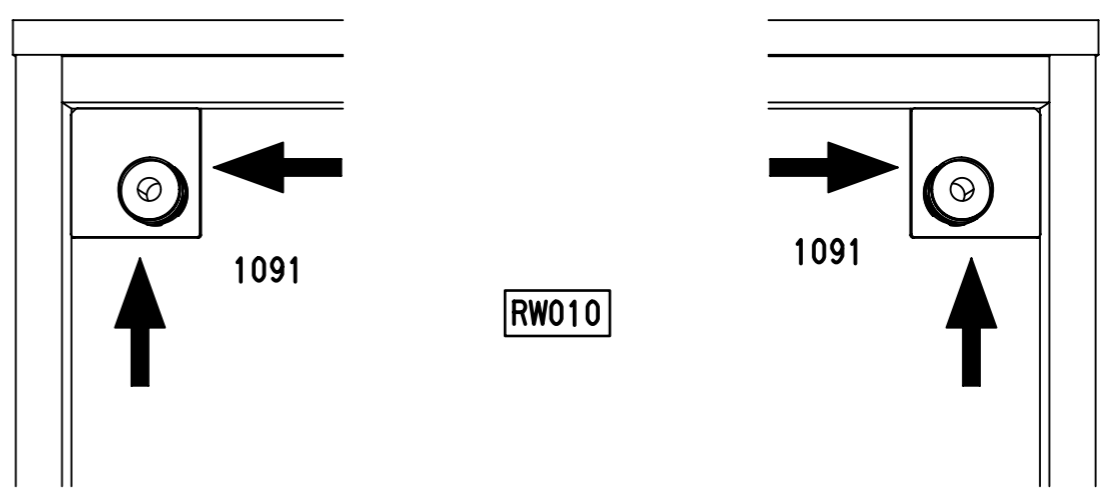
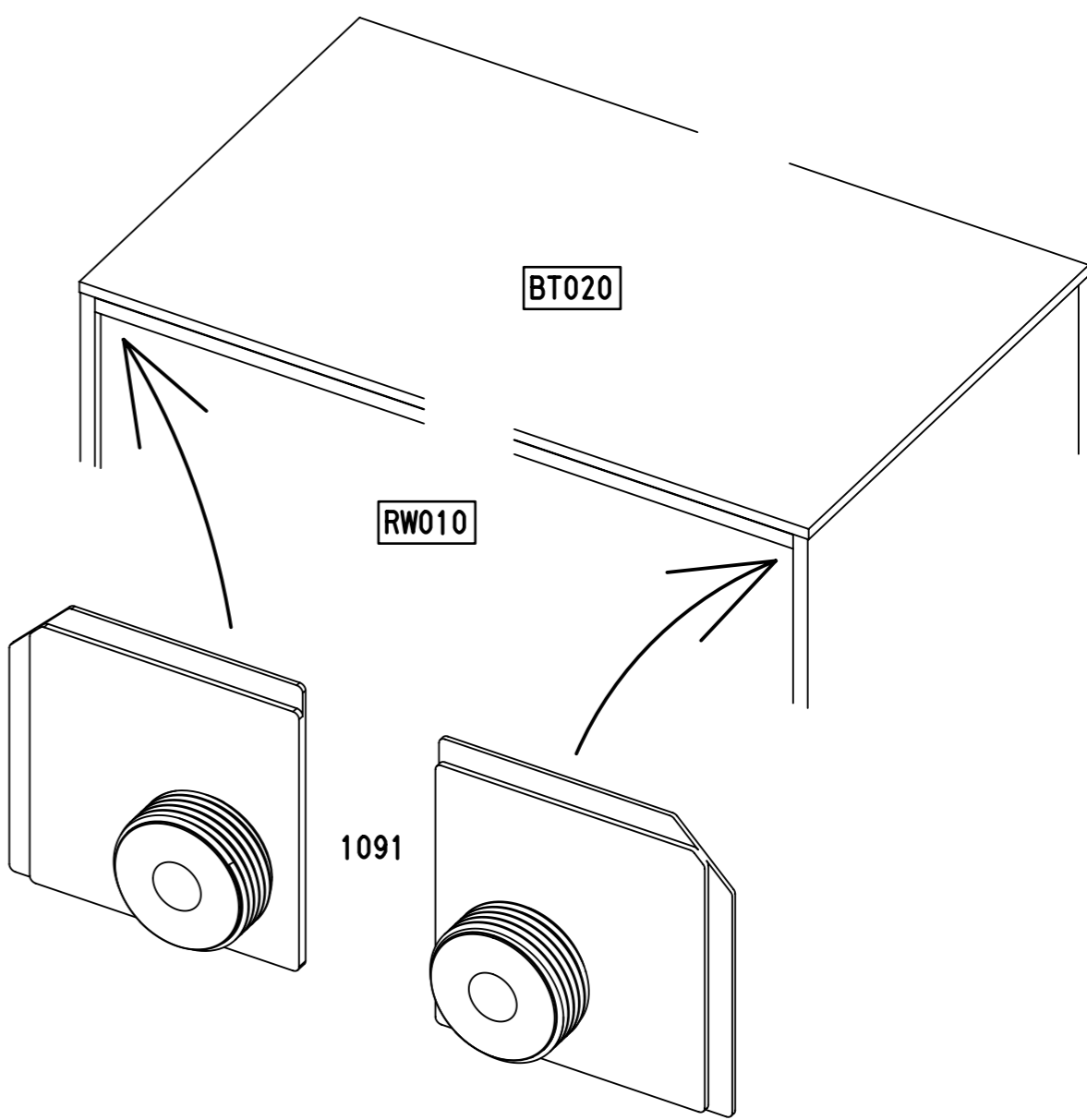
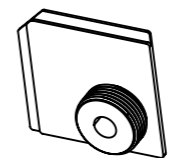


Xmm = Xmm



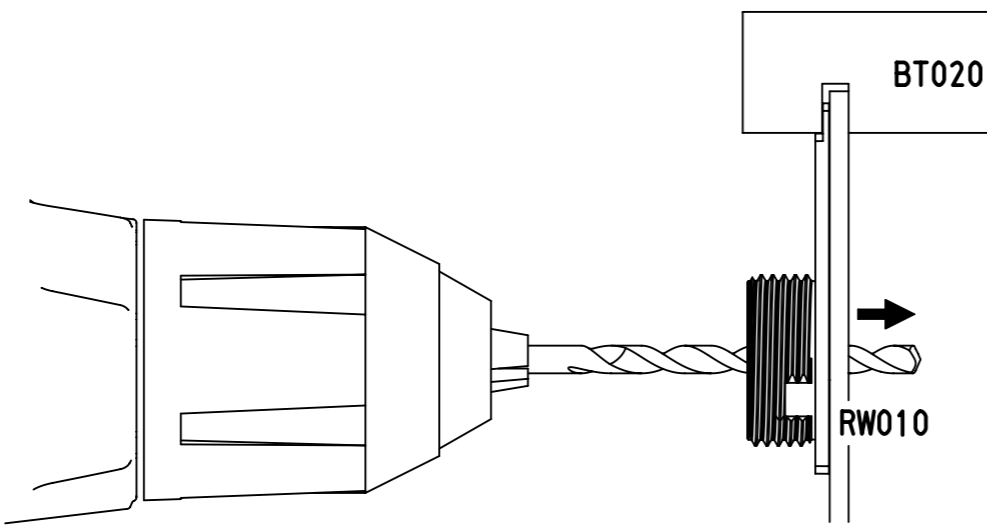
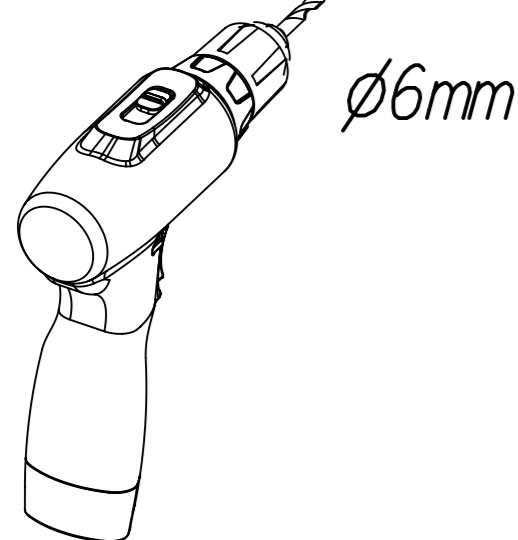
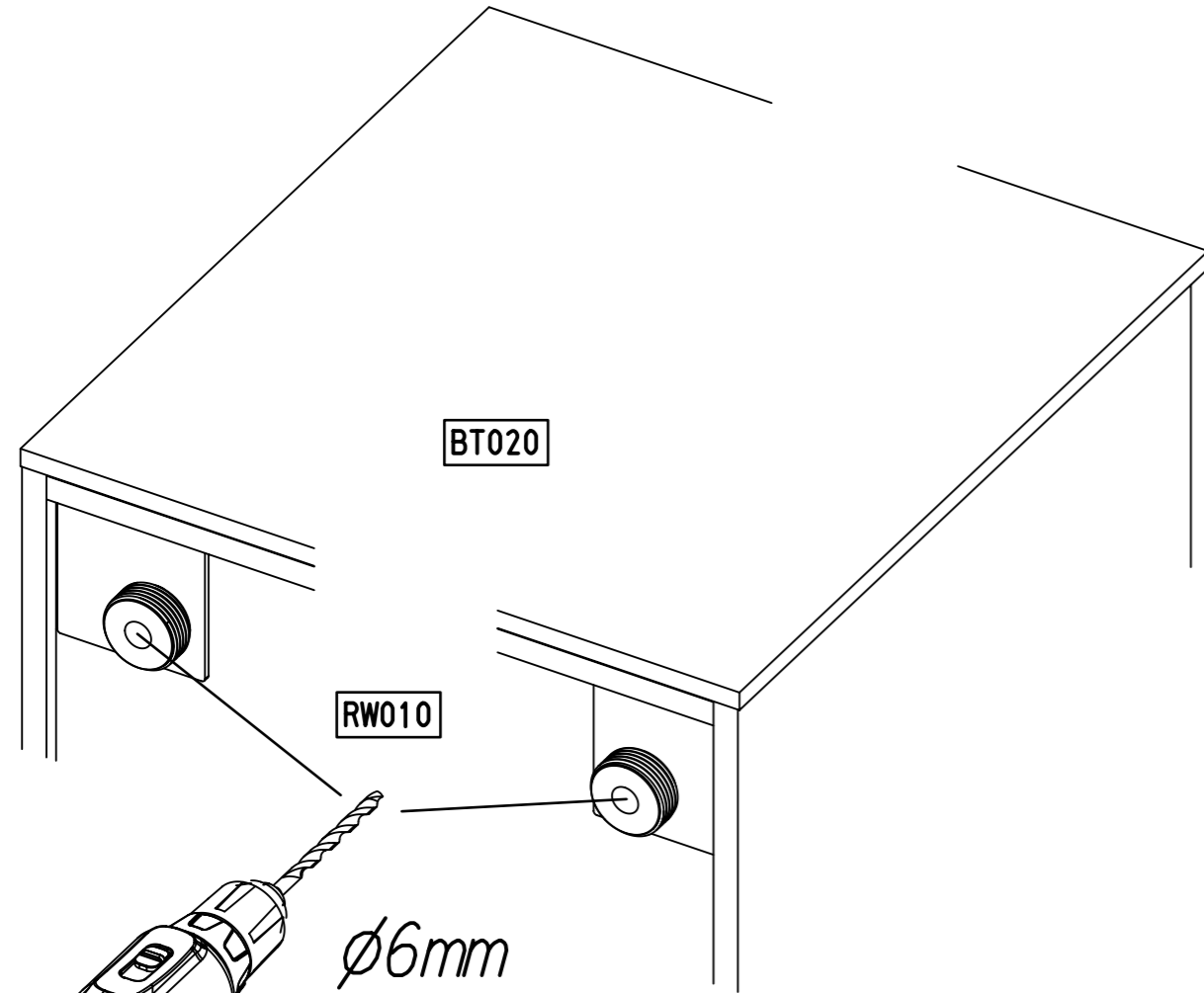
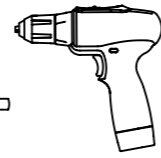
12

2x 1091

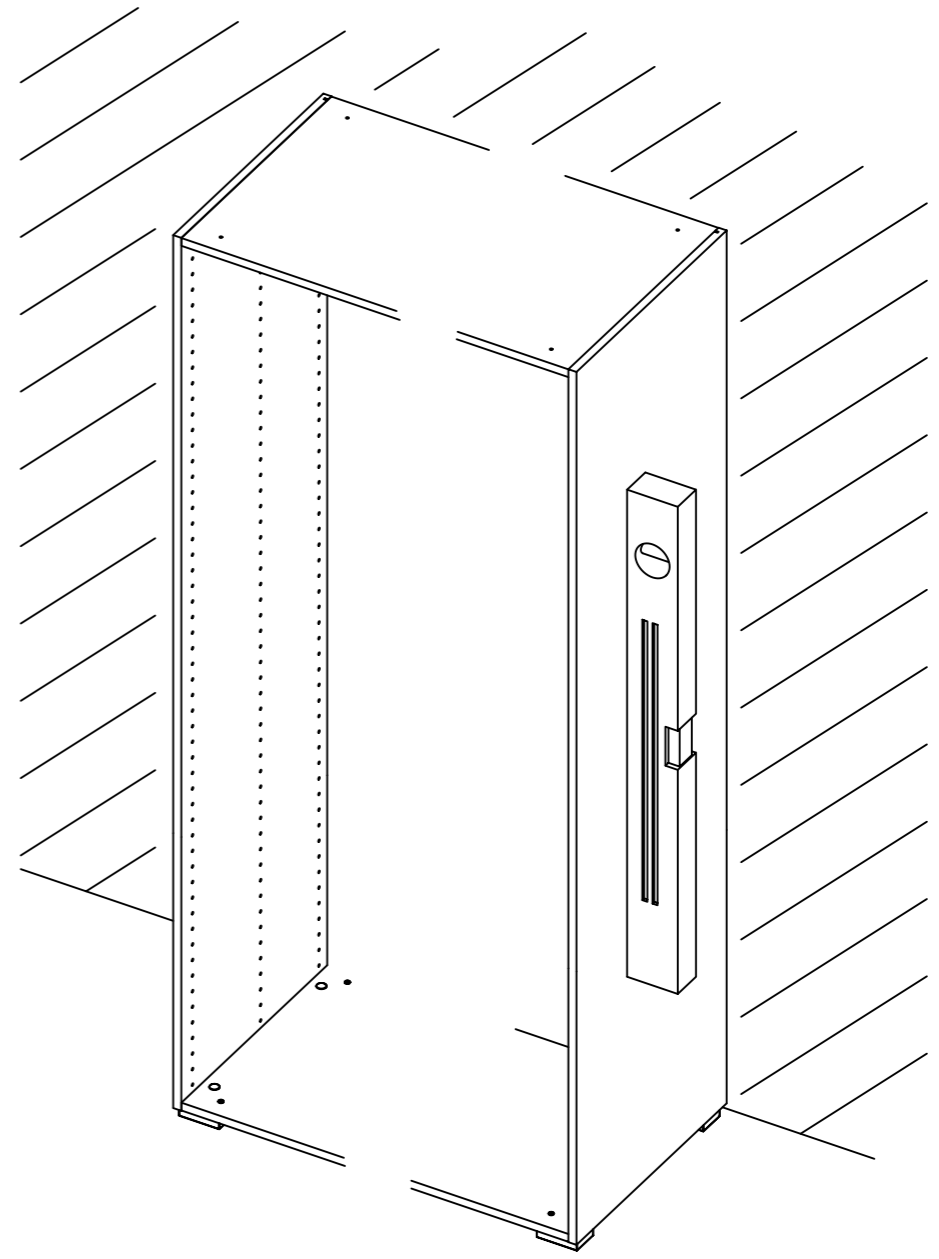
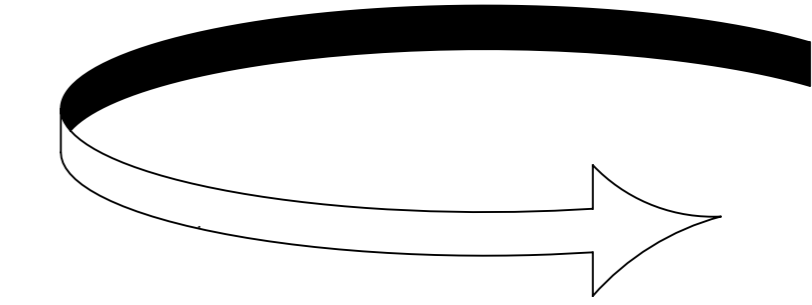
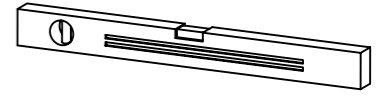


13

∅6mm

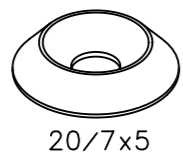


14



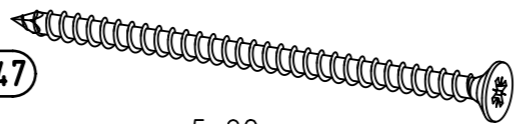
15

2x 1093

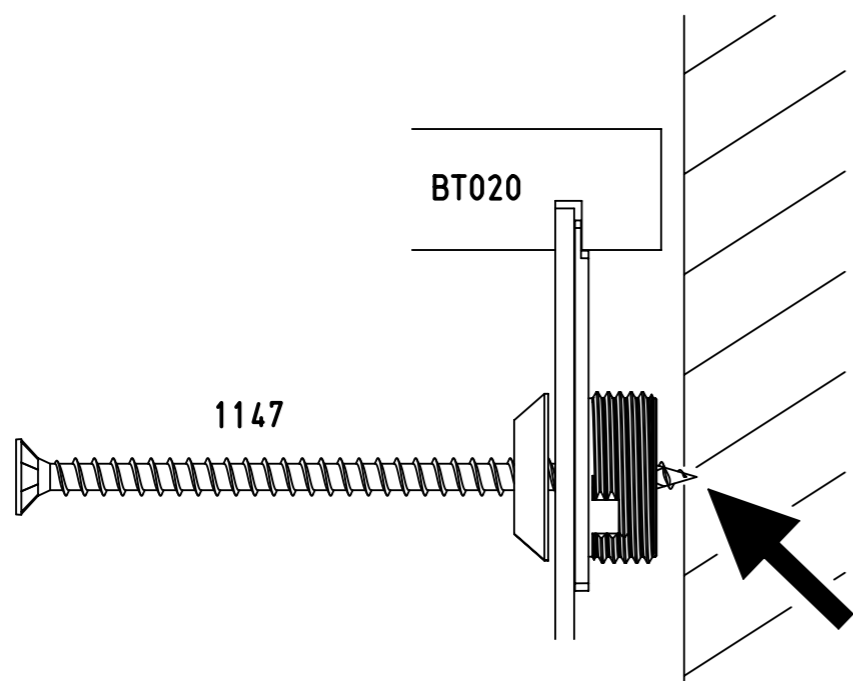
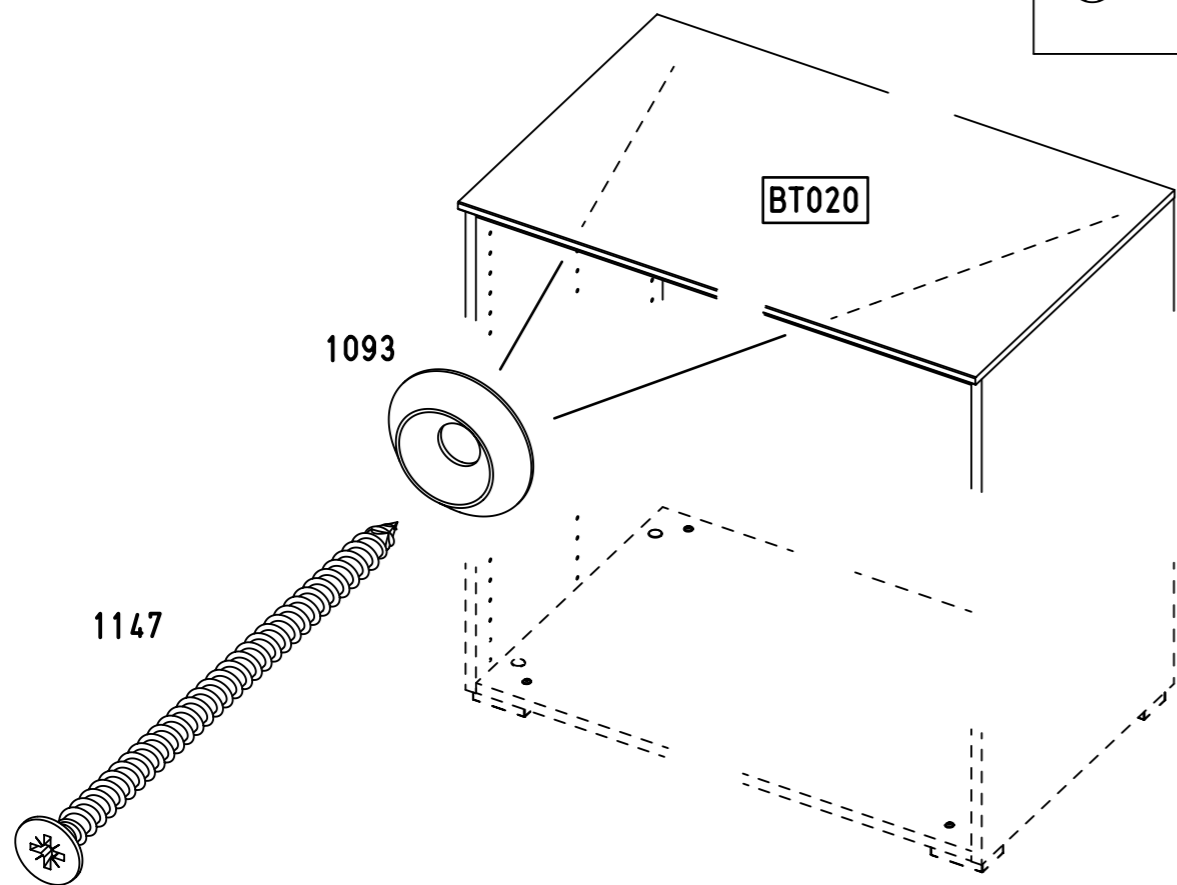
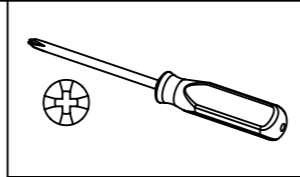


20/7x5

2x 1147

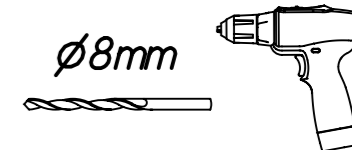


5x90

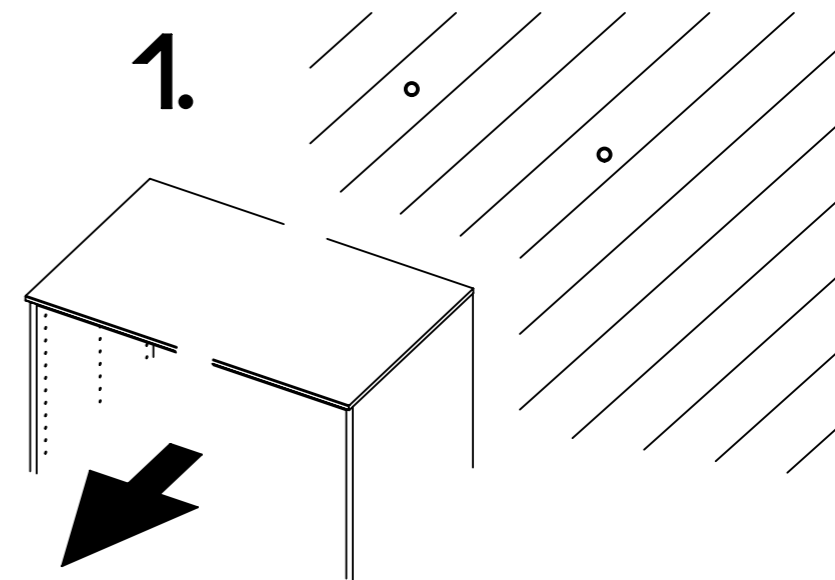


16

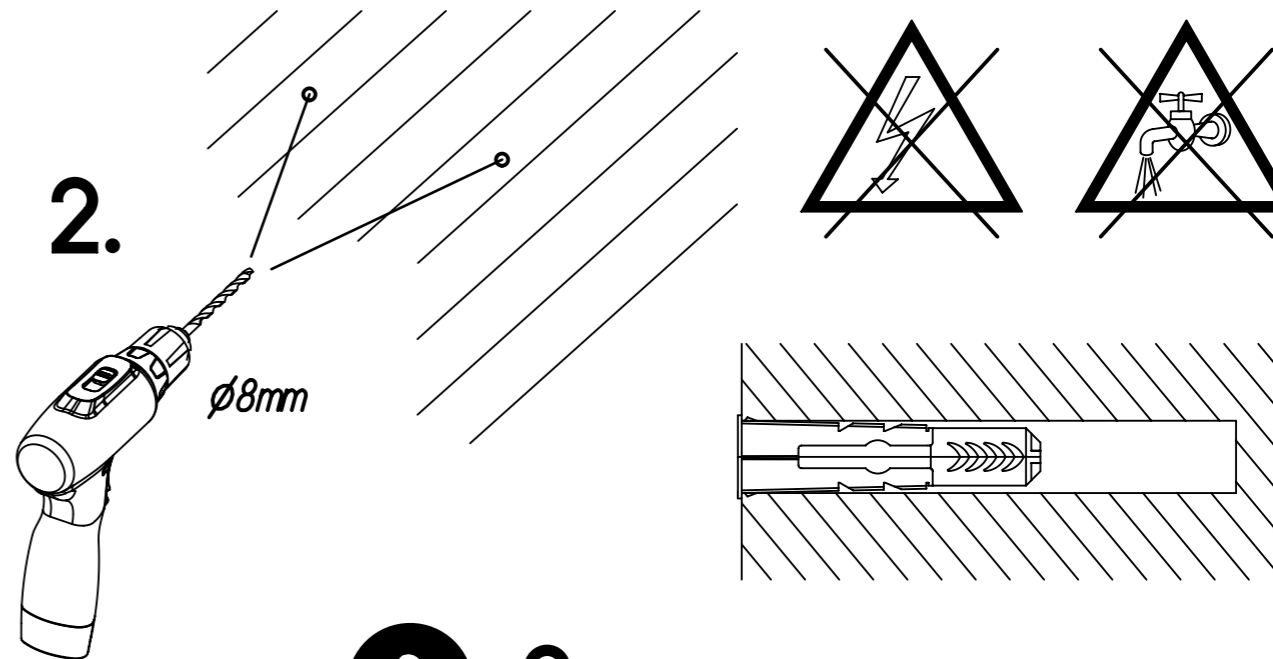
ø8mm



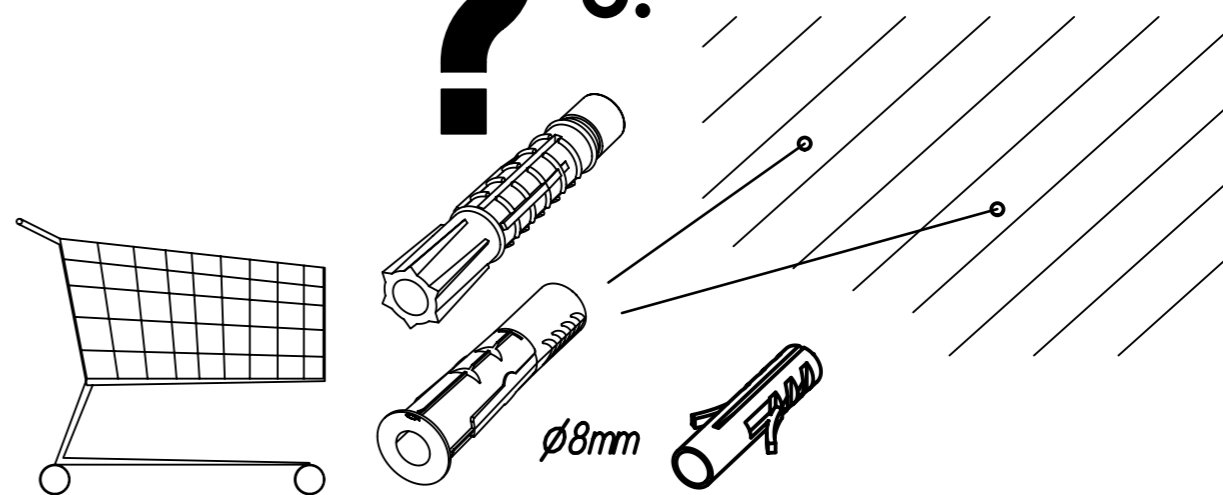
1.



2.

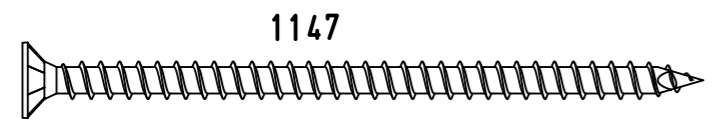
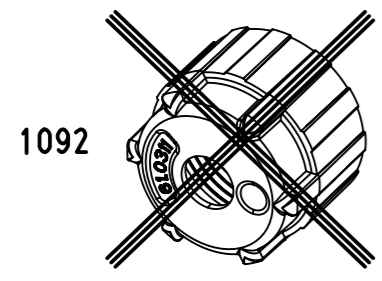
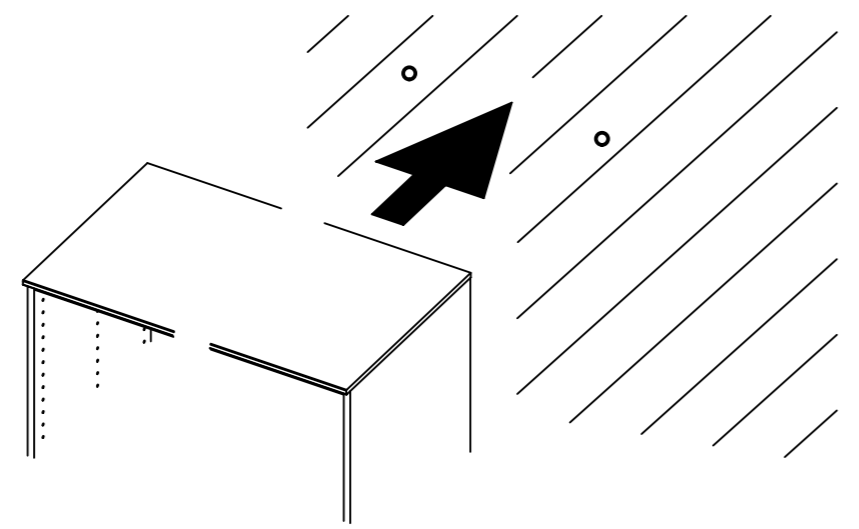
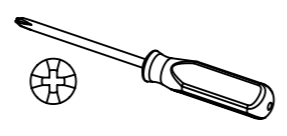
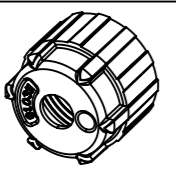


? 3.

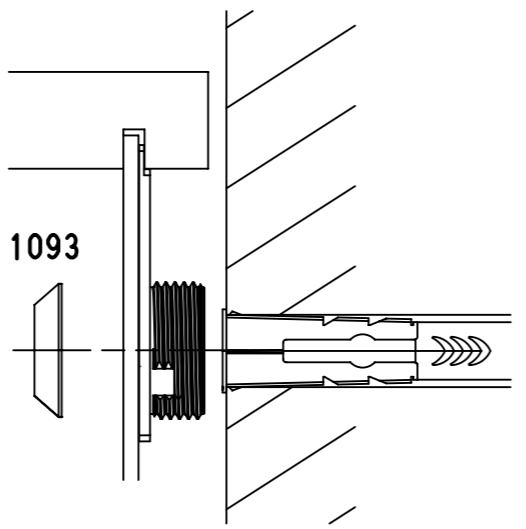


17

2x 1092



1093



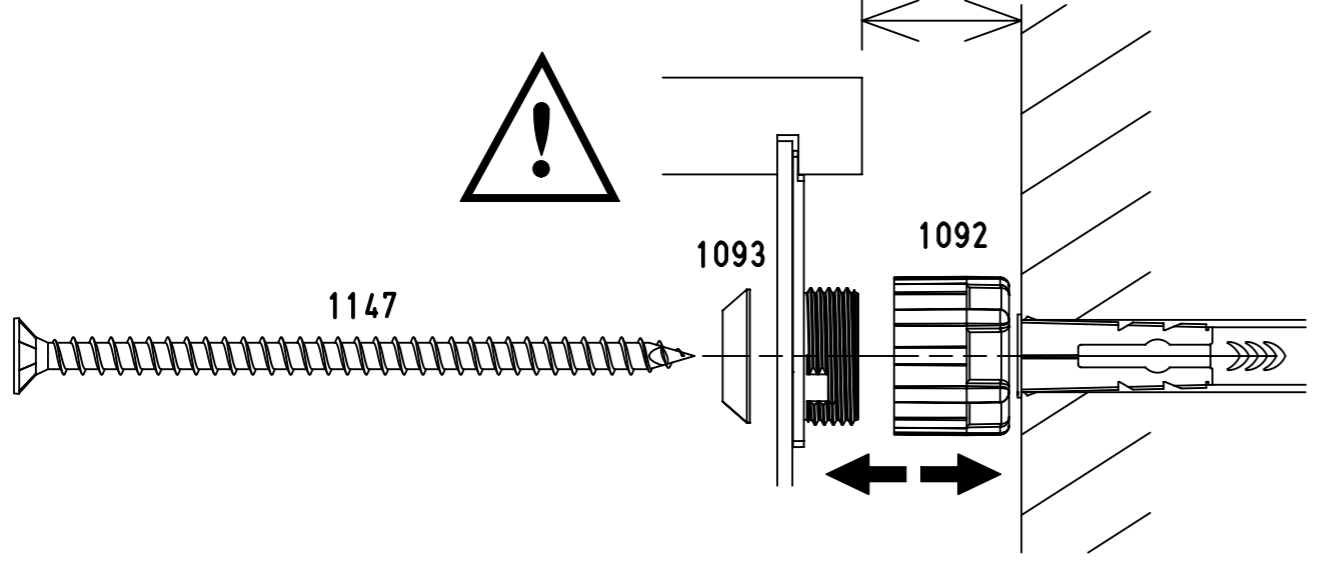
10-15mm



1147

1093

1092

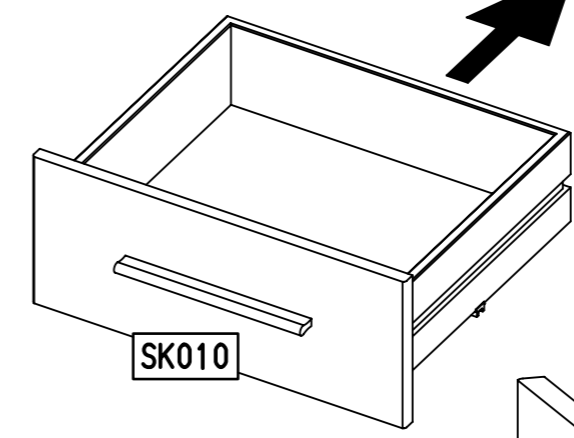
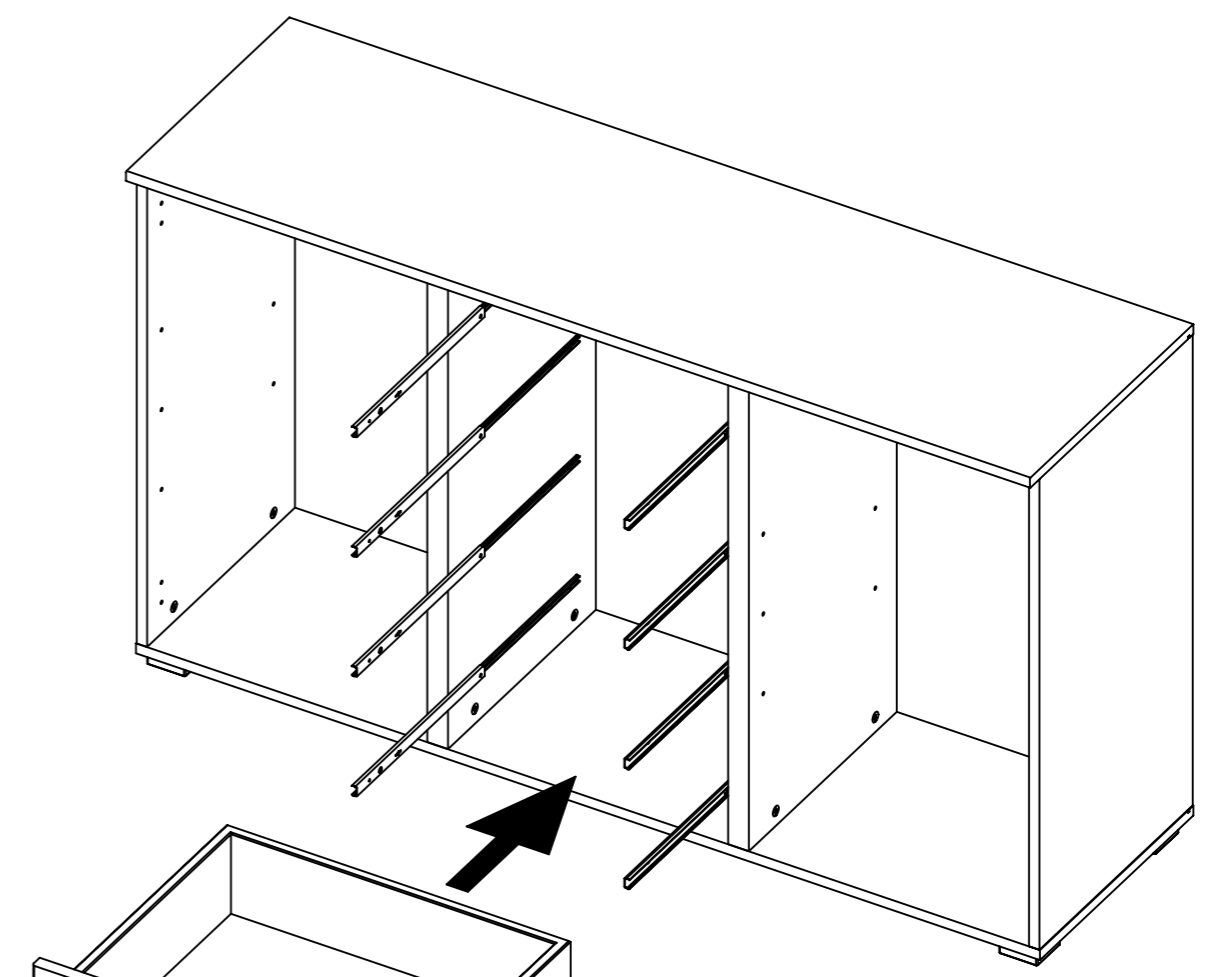
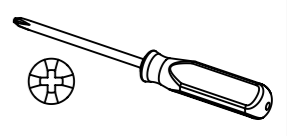


18

8x 568

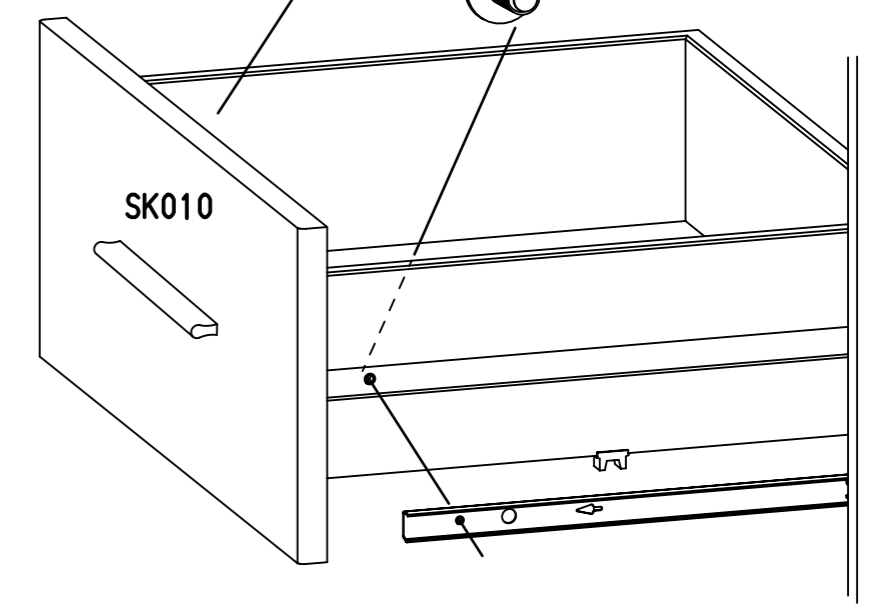


M4x9



SK010

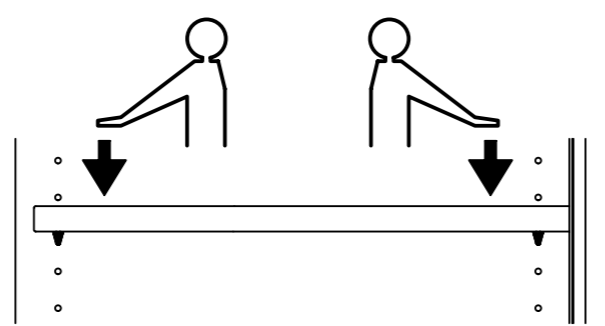
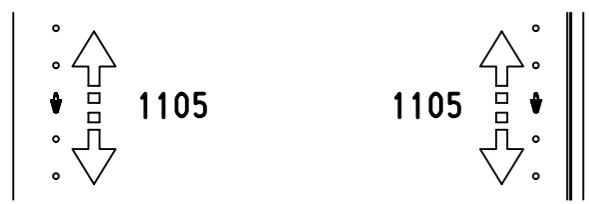
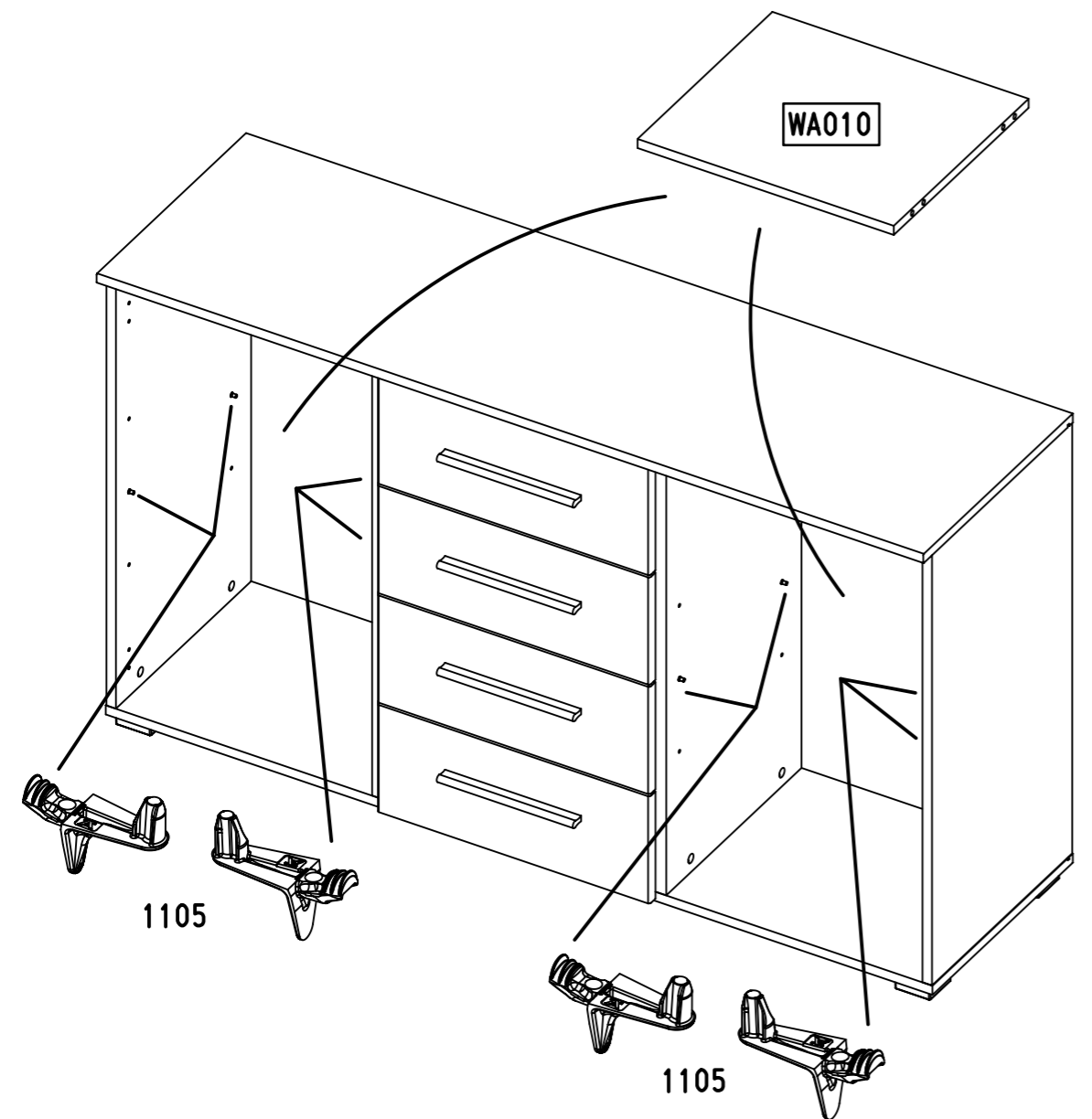
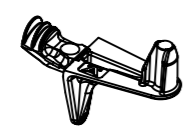
568



SK010

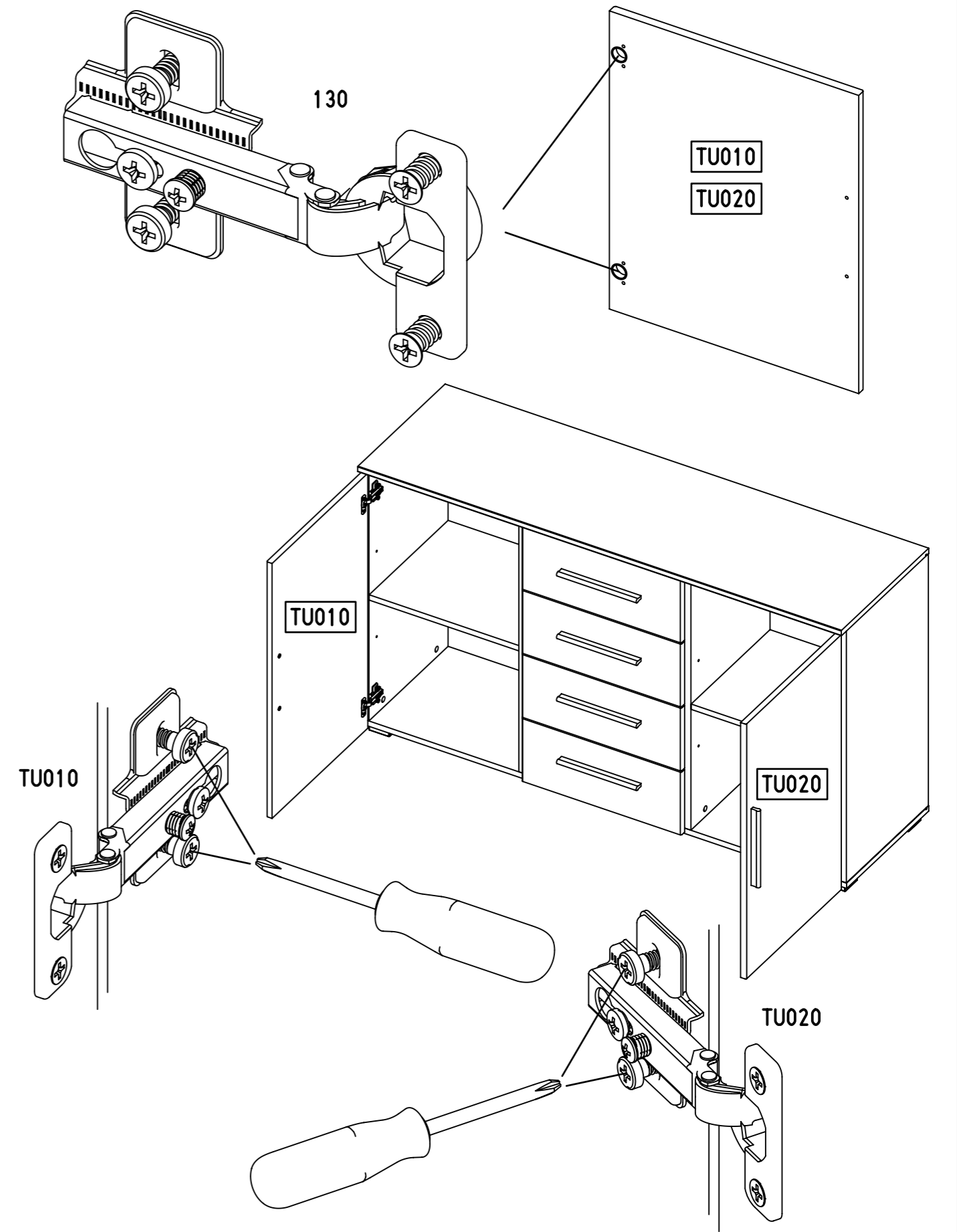
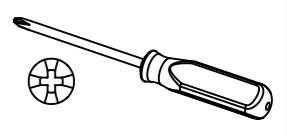
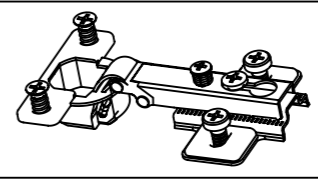
19

8x 1105

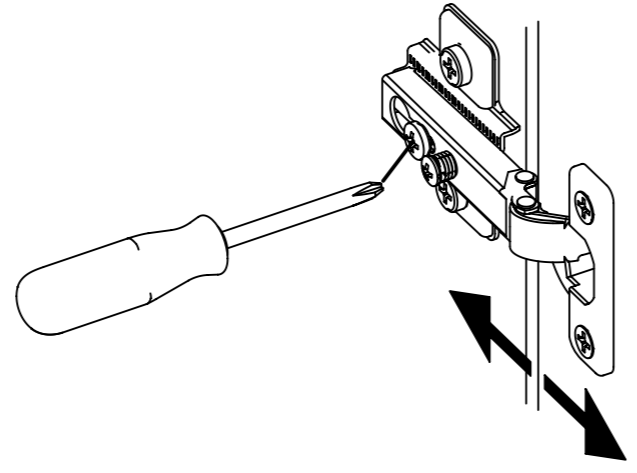
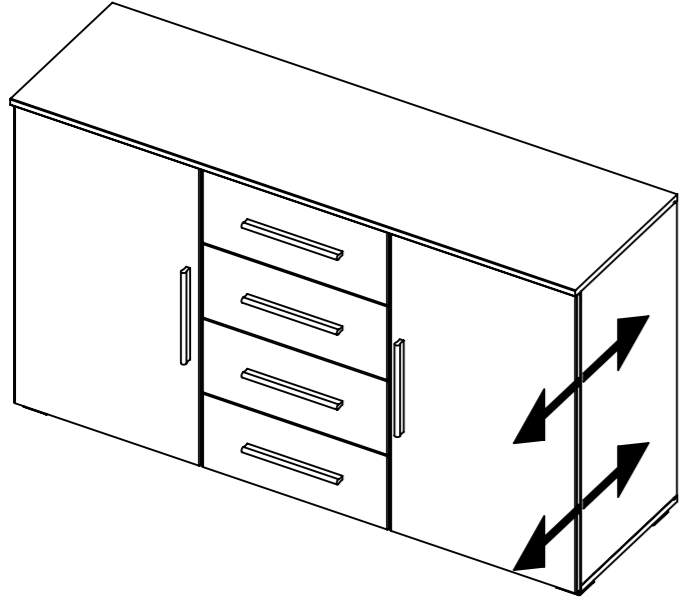
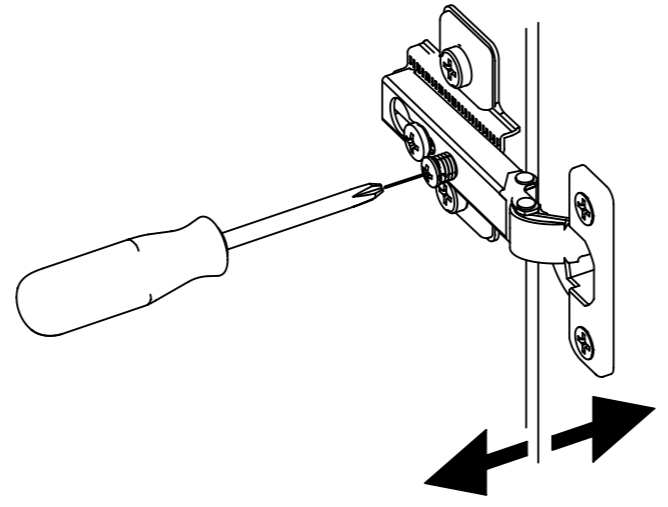
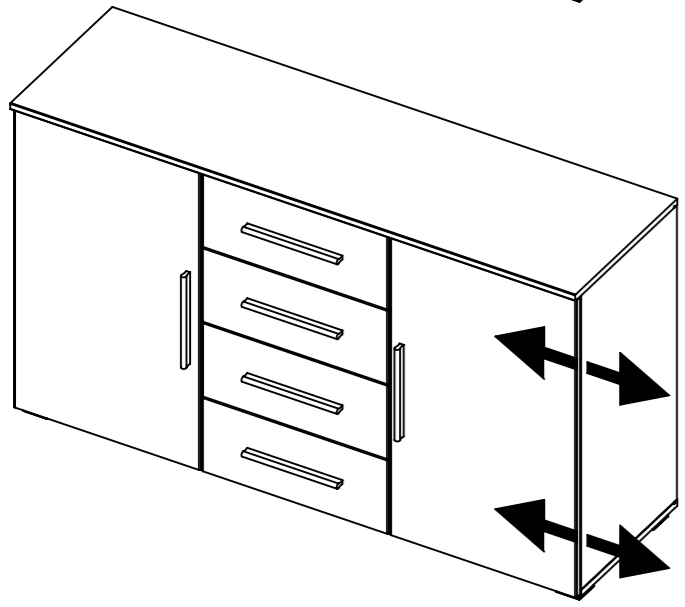
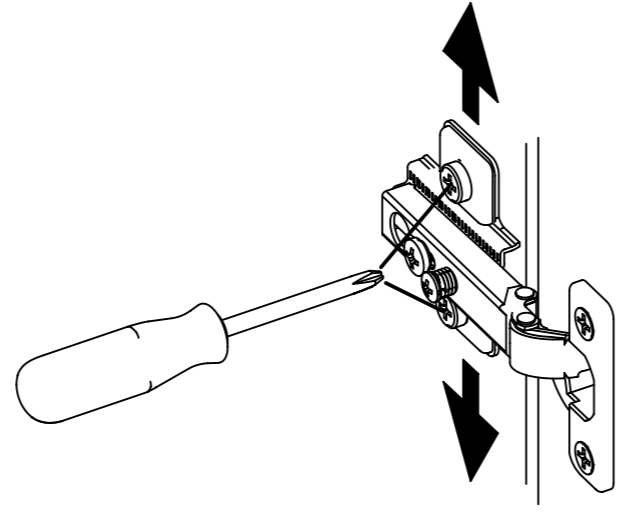
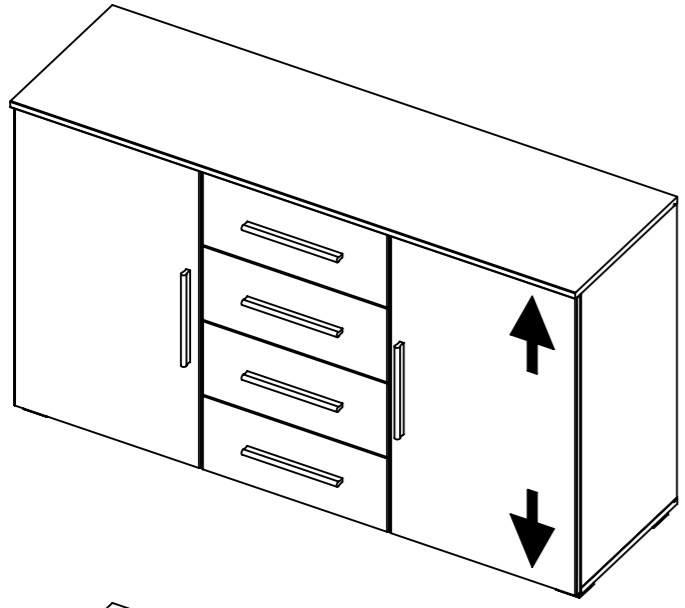
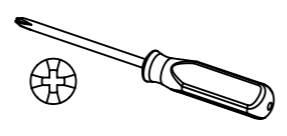


20

4x 130

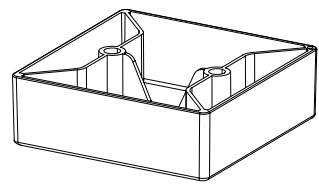


21



MZ044_02

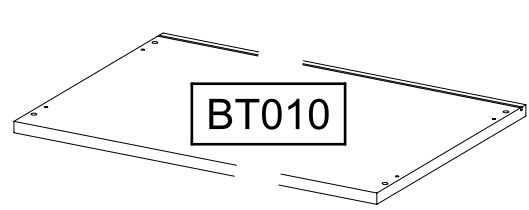
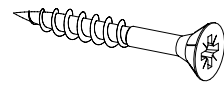
rauch



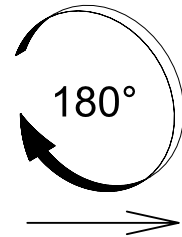
FU010

4x30

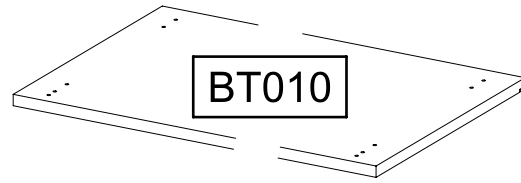
213



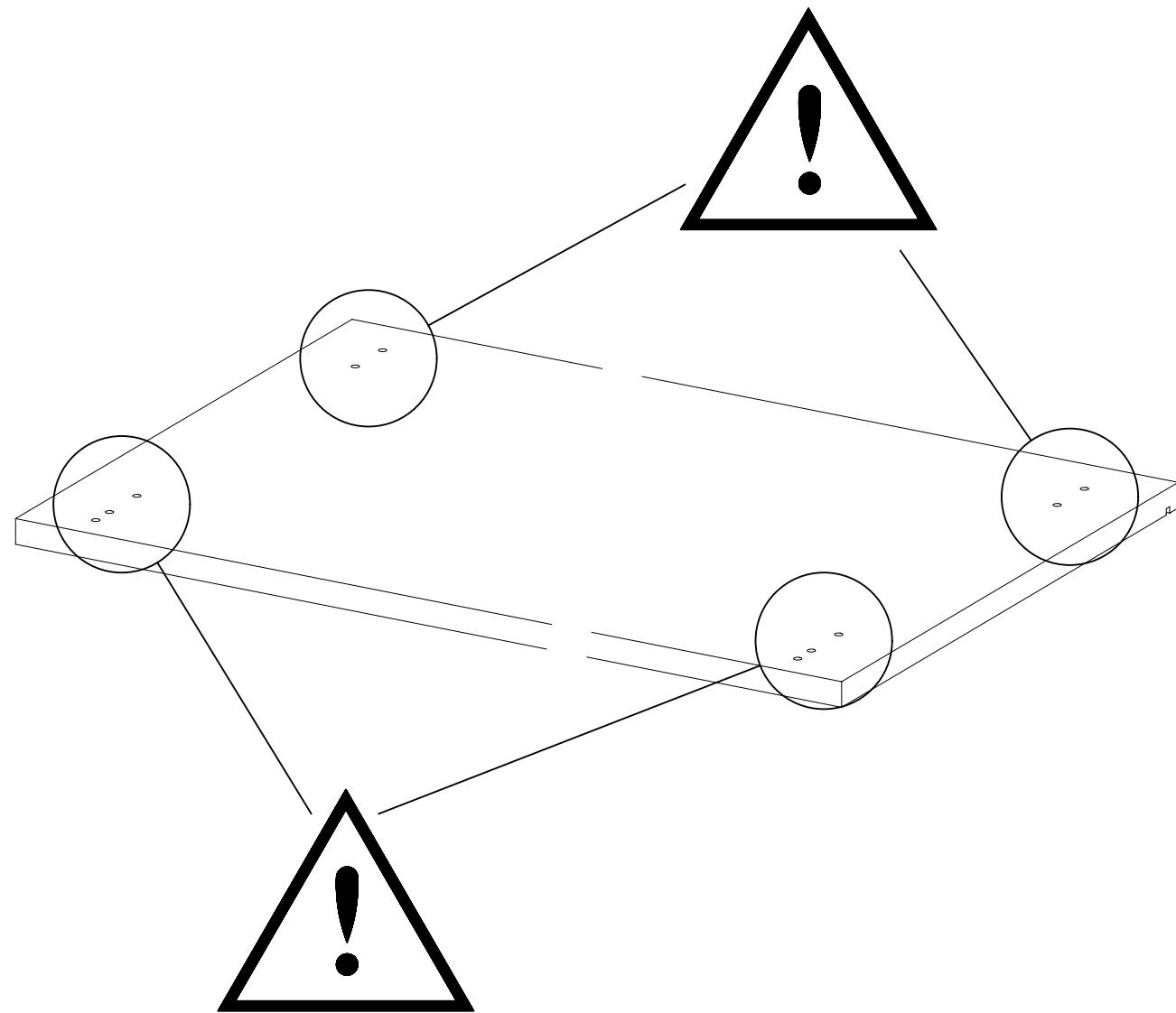
BT010



180°



BT010

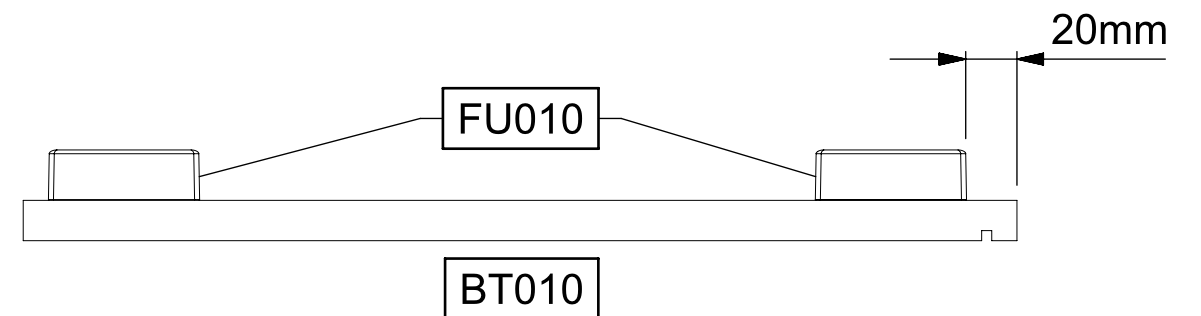
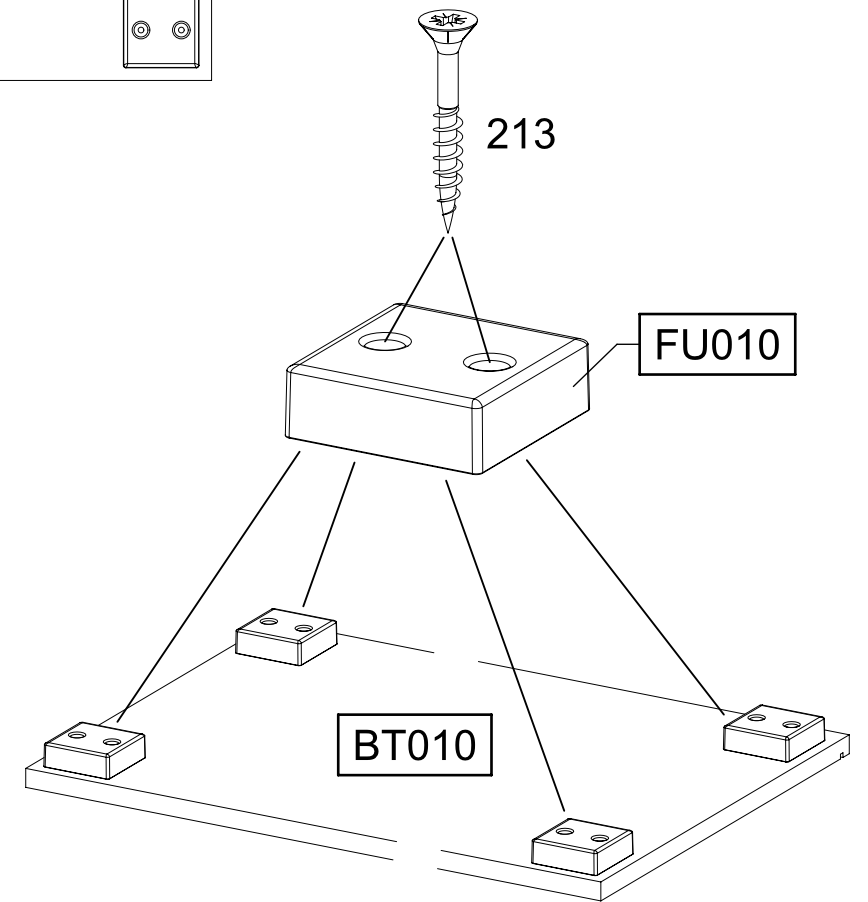
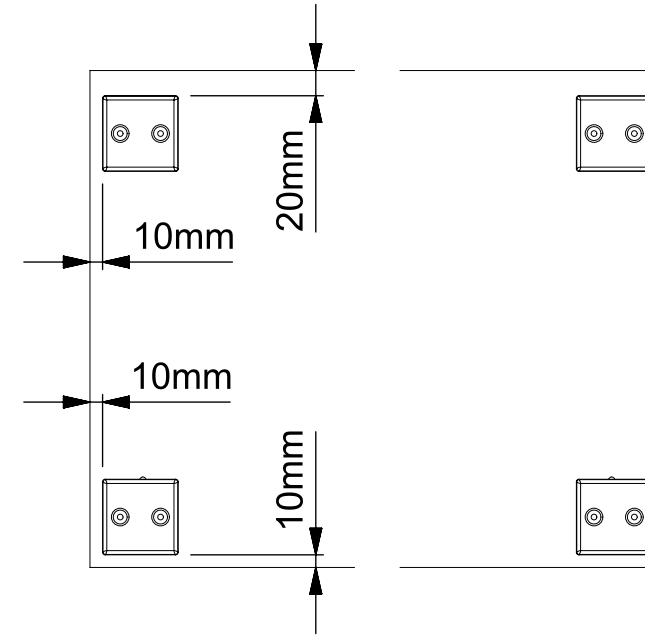
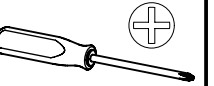
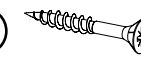


1

8x

213

4x30

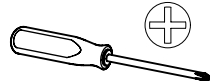
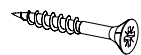


2

2x

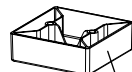
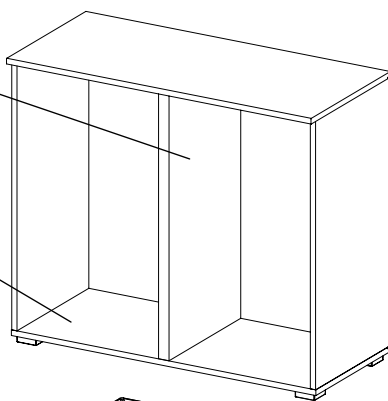
213

4x30



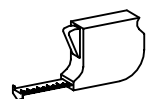
MS010

BT010

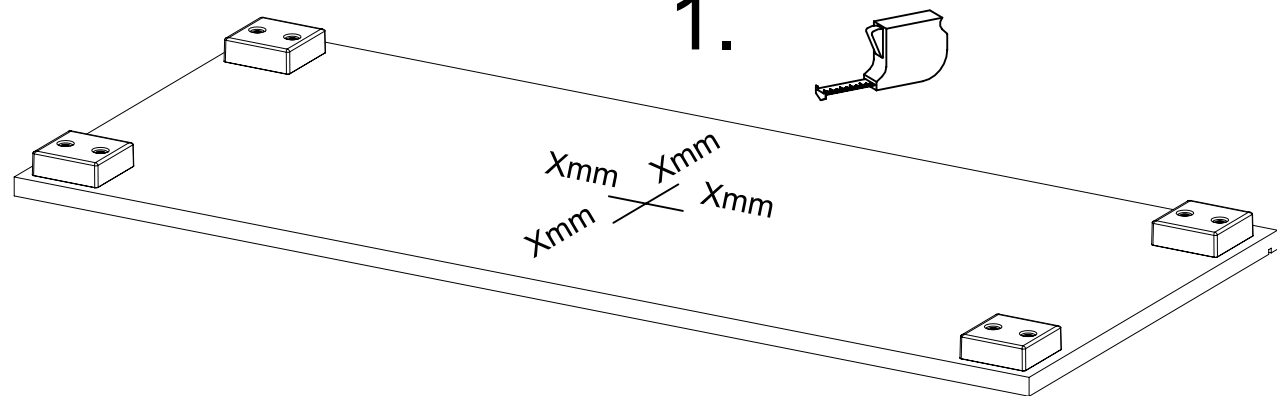


FU010

1.



Xmm Xmm
Xmm Xmm

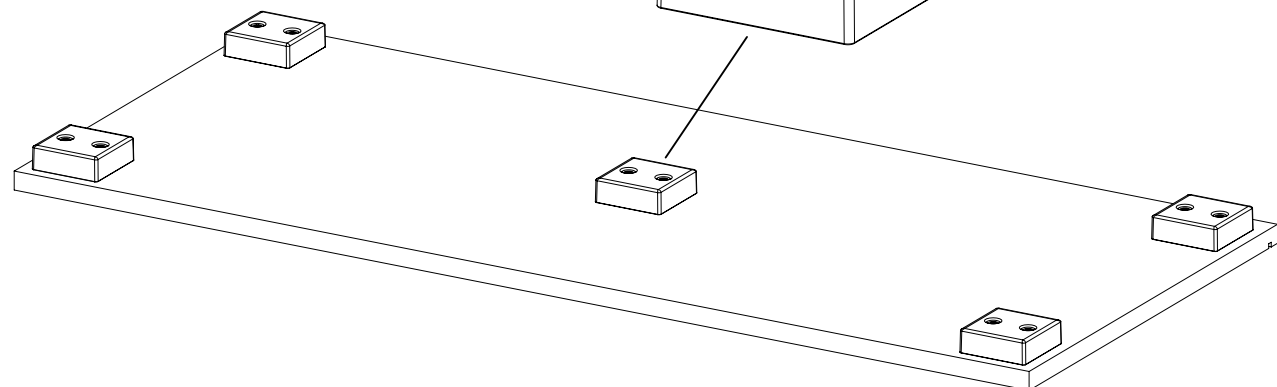
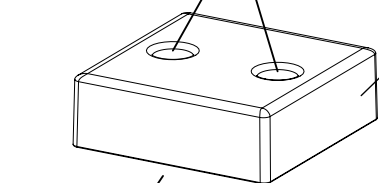


2.



213

FU010

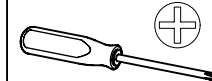
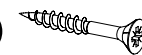


3

2x

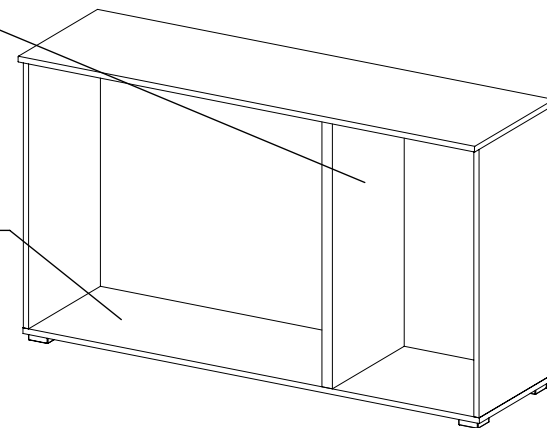
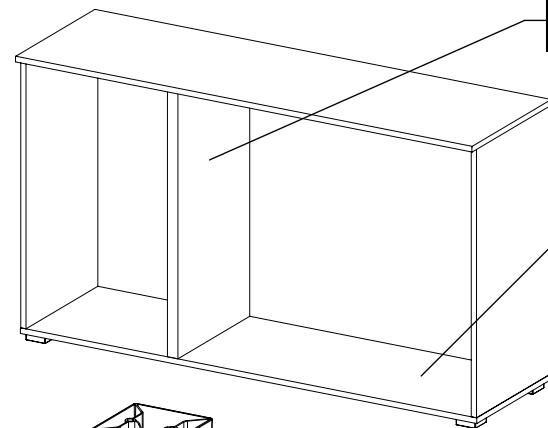
213

4x30

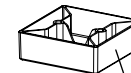


MS010

BT010

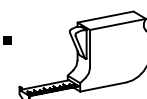


FU010

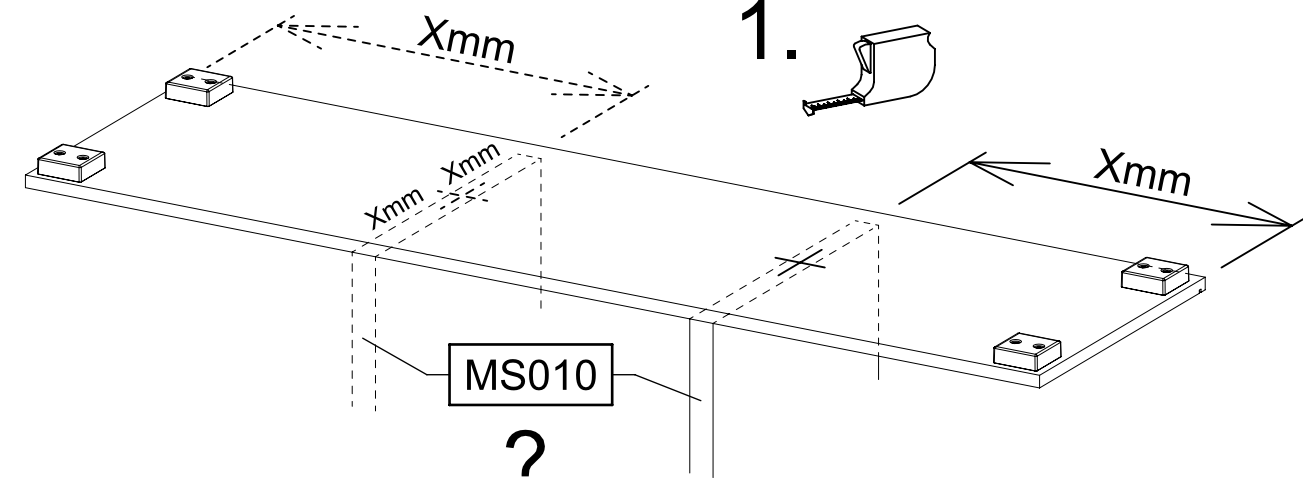


FU010

1.



Xmm Xmm
Xmm Xmm Xmm



MS010

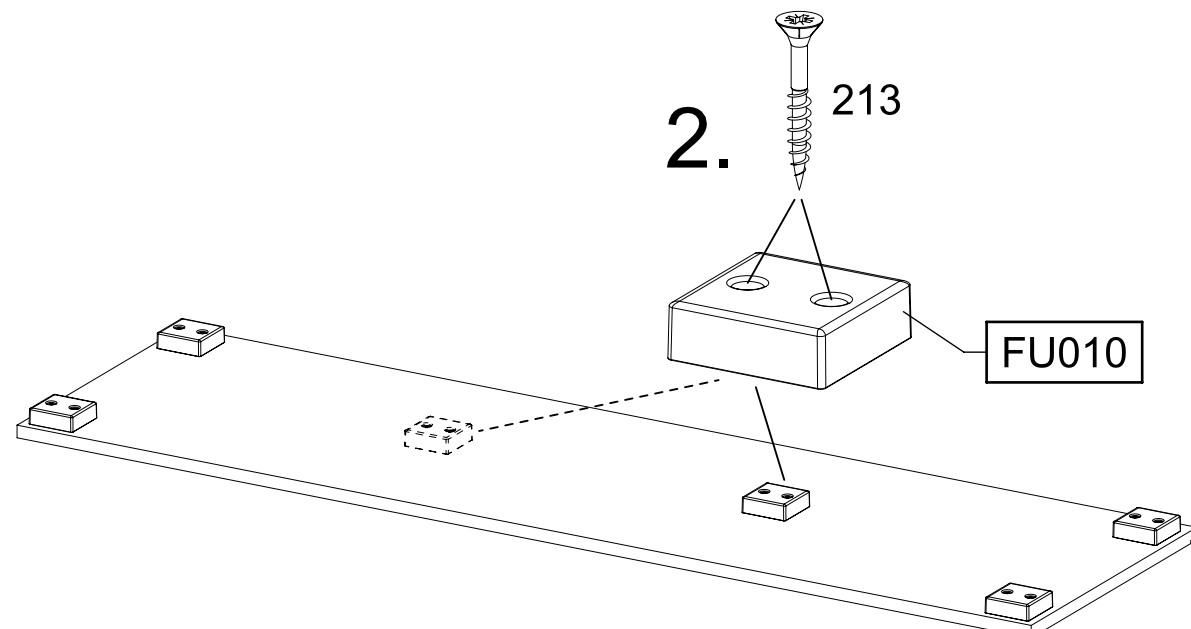
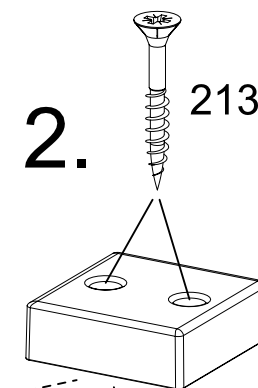
?

2.



213

FU010



4

4x

213

4x30

