

# ASSEMBLY INSTRUCTIONS

SKU NO. : WF302318AAN

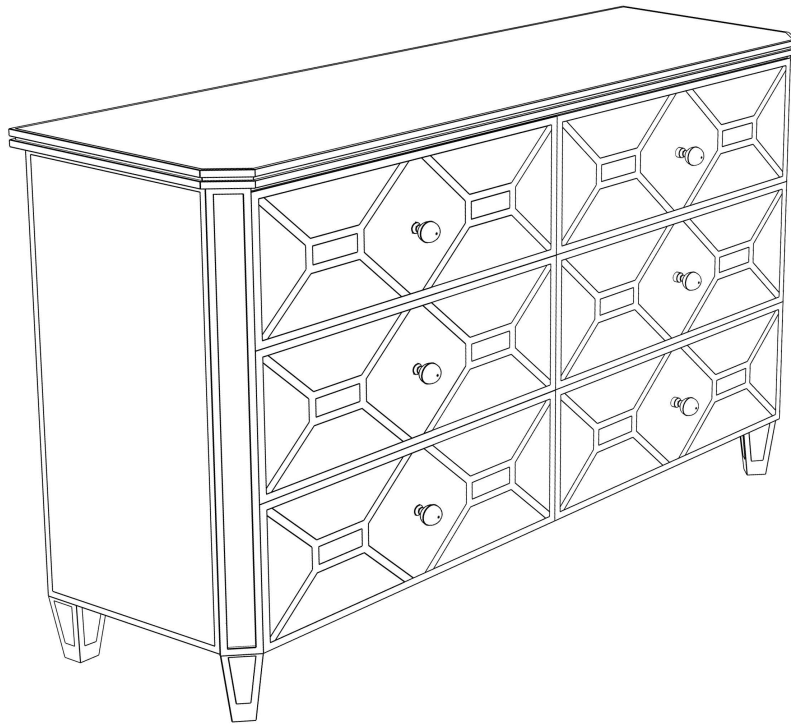
DESCRIPTION: DRAWER MIRRORED DRESSER

## IMPORTANT NOTE

**\*\*PLACE ALL PARTS ON A CLEAN AND SMOOTH SURFACE SUCH AS A RUG OR CARPET TO AVOID THE PARTS FROM BEING SCRATCHED**

**\*\*BEFORE YOU BEGIN, KINDLY FOLLOW THE ASSEMBLY INSTRUCTIONS STEP BY STEP**

**\*\*DO NOT TIGHTEN ALL SCREWS AND BOLTS UNTIL THE CABINET IS FULLY SET-UP**



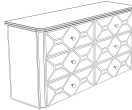





PLEASE DO NOT RETURN PRODUCT TO THE STORE

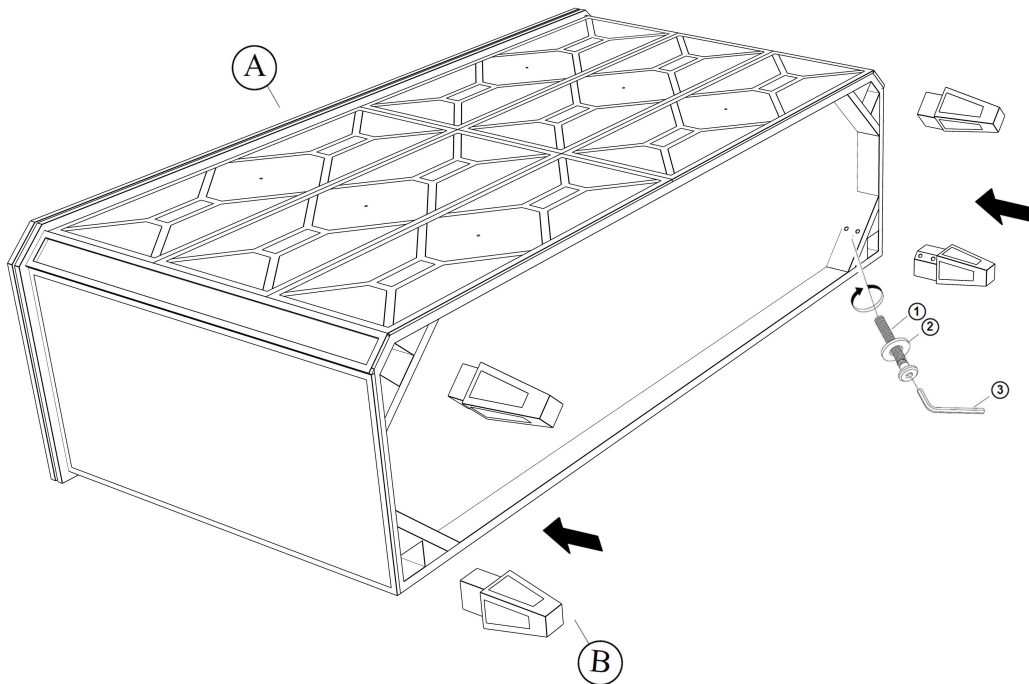
# ASSEMBLY INSTRUCTIONS

SKU NO. : WF302318AAN

DESCRIPTION: DRAWER MIRRORED DRESSER

## CARTONS ONLY ONE / HARDWARE LIST

| PART LISTS |             |   |      | HARDWARE LIST |                       |   |       |
|------------|-------------|---|------|---------------|-----------------------|---|-------|
| NO         | DESCRIPTION | SKETCH  | Q'TY | NO            | DESCRIPTION           | SKETCH  | Q'TY  |
| Ⓐ          | Dresser     |  | 1 PC | ①             | BOLT<br>M8*45mm       |  | 8PCS  |
|            |             |   |      | ②             | WASHER<br>M8*12mm     |  | 8PCS  |
|            |             |   |      | ③             | ALLEN KEY<br>M4*75mm  |  | 1 PC  |
| Ⓑ          | LEGS        |  | 4PCS | ④             | Tipping Restraint Kit |  | 1 SET |



# ASSEMBLY INSTRUCTIONS

SKU NO. : WF302318AAN

DESCRIPTION: DRAWER MIRRORED DRESSER

