

NOTICE

- * Please make sure that you have all parts indicated before you begin assembly of this item
- * This item should be assembled on a soft surface to prevent scratching the finish during assembly
- * This item may require periodic tightening
- * If you are having difficulty, our friendly Customer Care team is always here to help.

PREPARATION






- * Before beginning assembly of product, make sure all parts are present. Compare parts with part contents list and hardware contents list.
- * If any part is missing or damaged, do not attempt to assemble the product.
- * Estimated Assembly Time: 10 minutes.
- * Tools Required for Assembly (included) :Allen Key

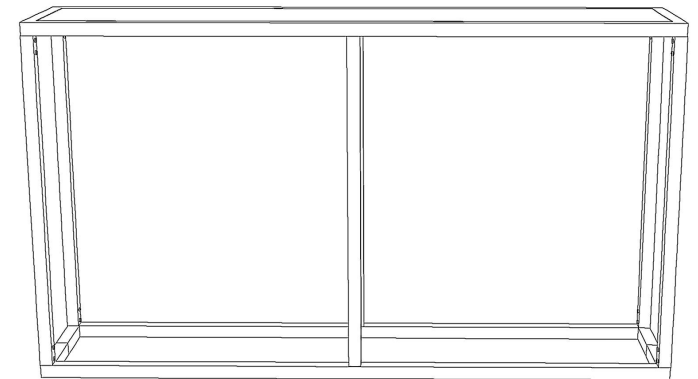
CARE AND MAINTENANCE

Dust with a soft, dry cloth. Do not use abrasive cleaner. To clean mirror, spray a small amount of glass cleaner onto a lint-free cloth and wipe mirror clean.

Product Dimensions: 48"Wx12"Dx30"H

Part List and Hardware List

Piece	Description	Picture	Quantity
A	Top Frame		1X
B	Legs		6X
C	Bottom Frame		1X
HW1	Allen Bolt (M6x10mm)		24X
HW2	Allen Wrench		1X

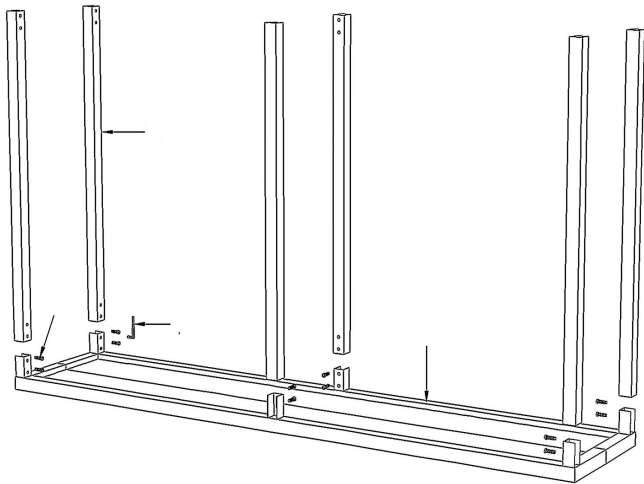


WARNING

Weight Capacity: 100LBS
Warning: Do not stand on Table
Warning: Do not over torque bolts

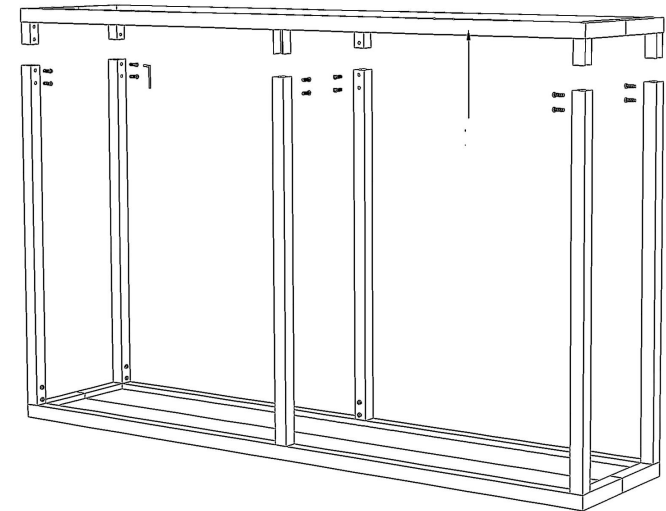
Preparation

- *Before beginning assembly of product, make sure all parts are present. Compare parts with package contents list and hardware contents list.
- *If any part is missing or damaged, do not attempt to assemble the product.
- *Estimated Assembly Time: 10 minutes.
- *Tools Required for Assembly (included) :Allen Key
- * If you are having difficulty, our friendly Customer Care team is always here to help.



Step 1

Assemble the Legs (B) and Bottom Frame (C) together using a wrench and 12 Screws.



Step 2

Assemble the legs (B) and frame top (A) together using wrench and 12 Screws.