

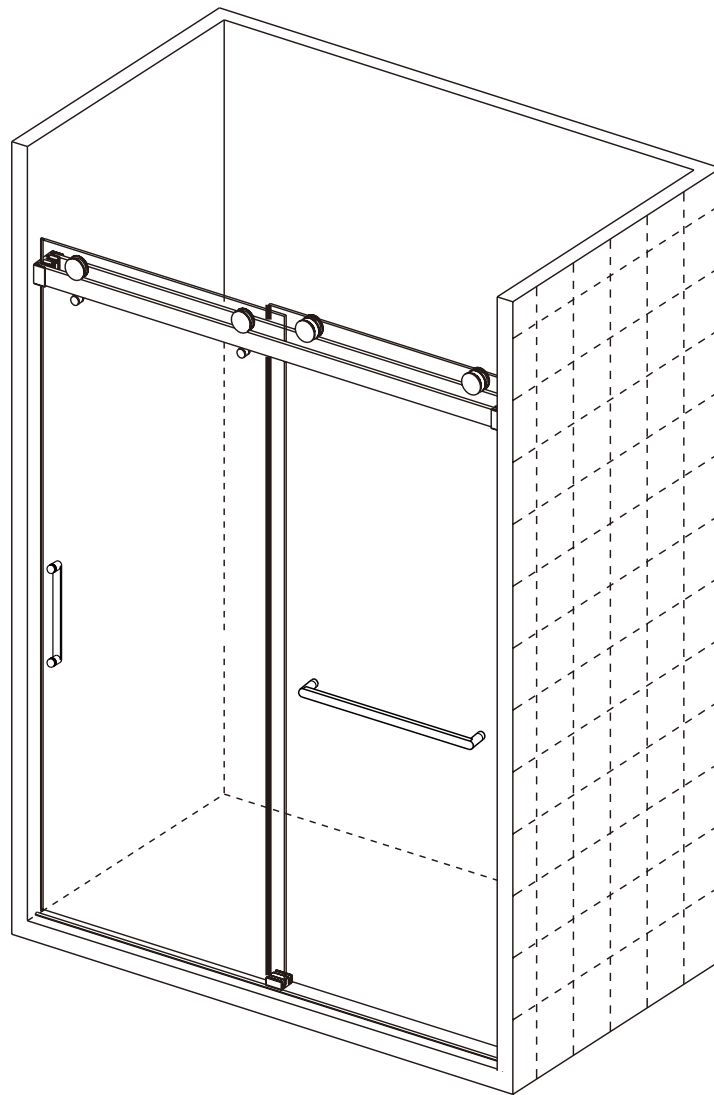
# INSTALLATION INSTRUCTIONS

FOR SHOWER DOOR AND BATHTUB DOOR

**PA-5976-CH-40**

**PA-5976-BN-40**

**PA-5976-MB-40**



**FINISH :**

**CH**-Chrome

**BN**-Brushed Nickel

**MB**-Matte Black

## ◆ General Information

Inspect the product immediately upon receipt for transit damage, missing packs/parts or manufacturing fault. Damage reported later will not be accepted. Handle the product with care avoiding knocks and shock loading to all sides and edges of the glass.

**Notes: Safety glass can not be re-worked.**

Read these instructions carefully before start of installation.

Special care should be taken when drilling walls to avoid hidden pipes or electrical cables.

Note: This product is heavy and may require two people to install.

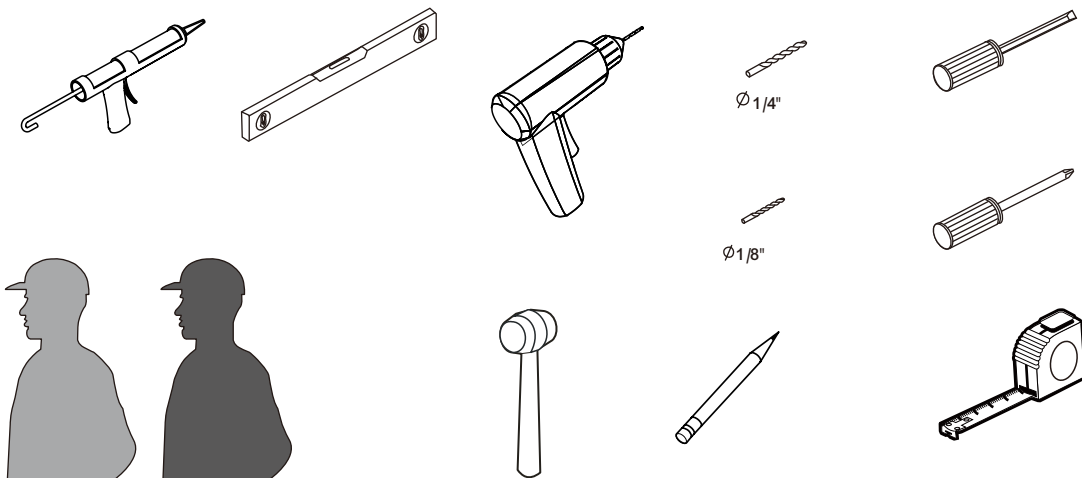
## Aftercare instructions

After use, your shower should be cleaned with soap and water. This is particularly important in hard water districts where insoluble lime salts maybe deposited and allowed to build up. Cleaners of a gritty or abrasive nature should not be used. Care should be taken to avoid contact with strong chemicals, they can be used but with caution, if in doubt contact the manufacturer of the cleaner in question.

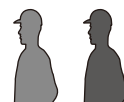
Keep these instructions for aftercare and customer service details.

---

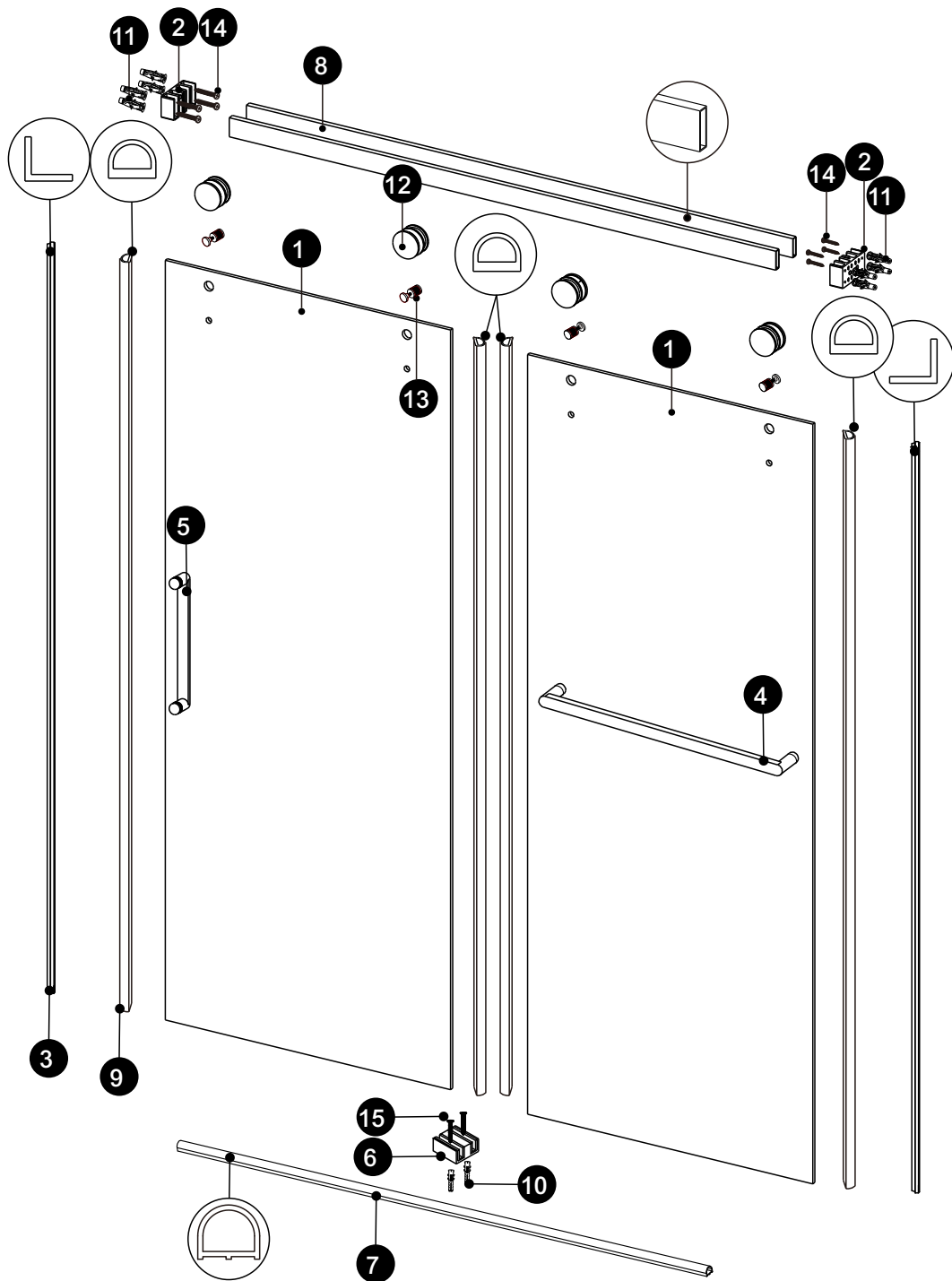
## Tools Required



This product is heavy and may require two people to install.



## ◆ Assembly Drawing

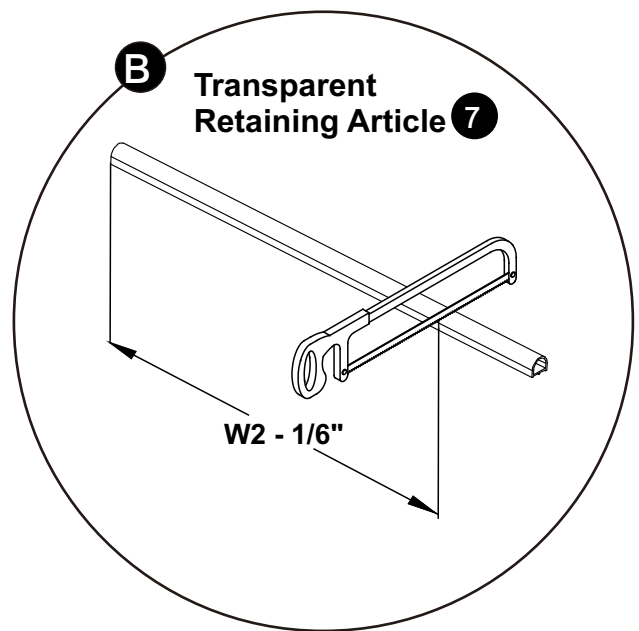
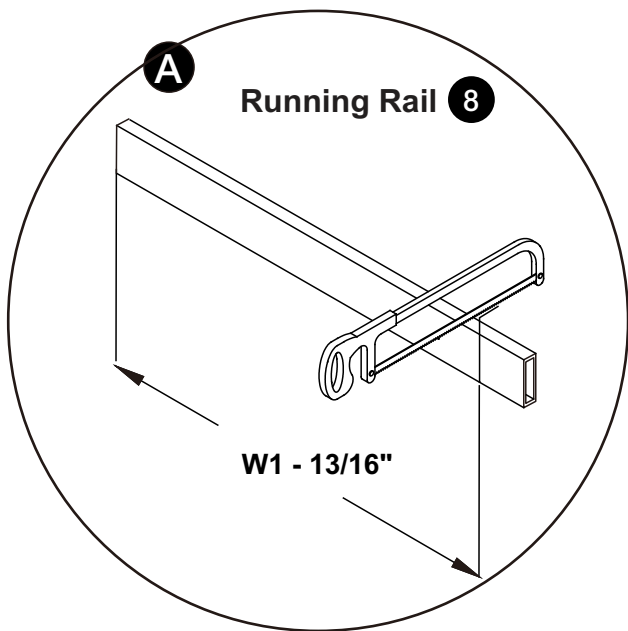
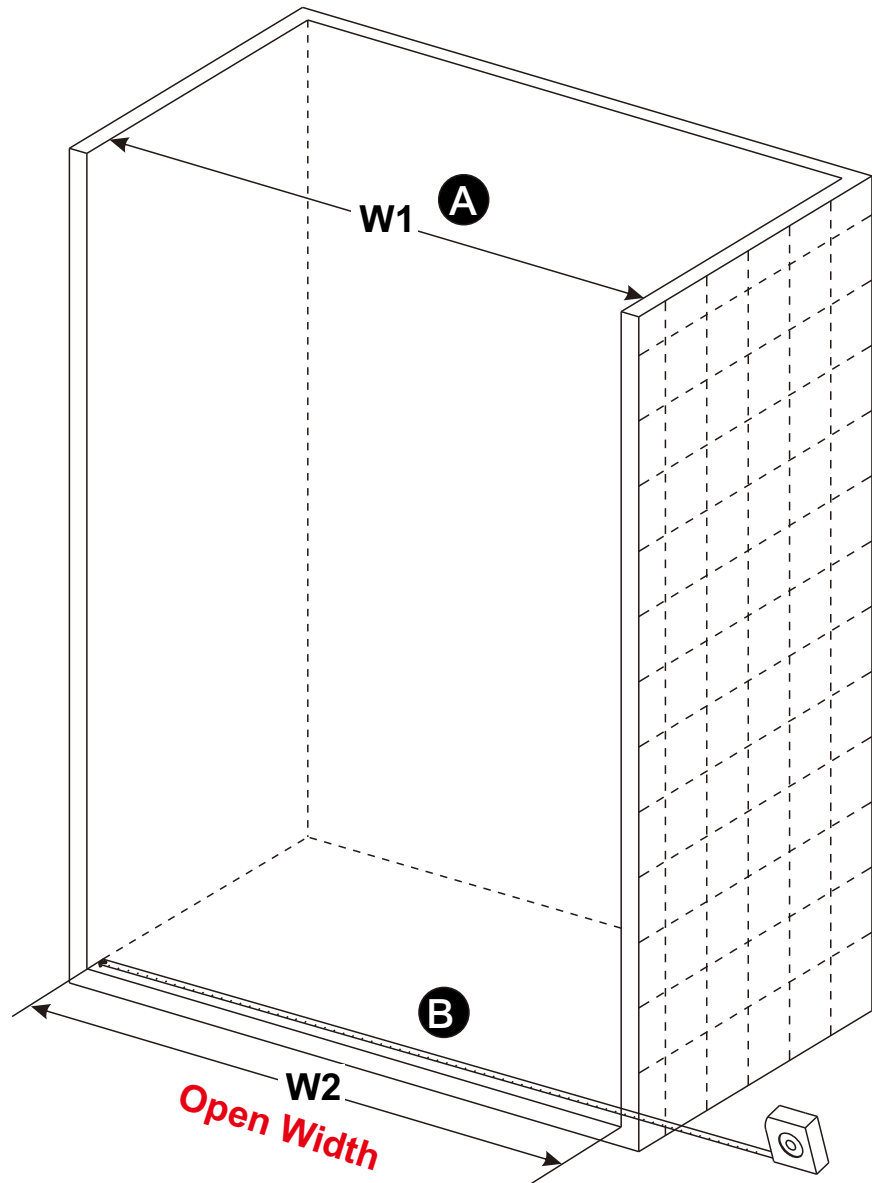


### PACKING LIST

PART #	DESCRIPTION	Q'TY	PART #	DESCRIPTION	Q'TY
1	Door Panel	2pcs	9	Side Door Gasket	4pcs
2	Wall Brackets	2pcs	10	Wall Plug-A	2pcs
3	Gasket-A	2pcs	11	Wall Plug-B	8pcs
4	Handle	1pc	12	Roller	4pcs
5	Towel Bar	1pc	13	Anti Jump Knobs	4pcs
6	Bottom Guide	1pc	14	Screw ST5x2"	8pcs
7	Aluminium Water Guard	1pc	15	Screw ST4x1 3/8"	2pcs
8	Running Rail	2pcs			

◆ Installation Steps

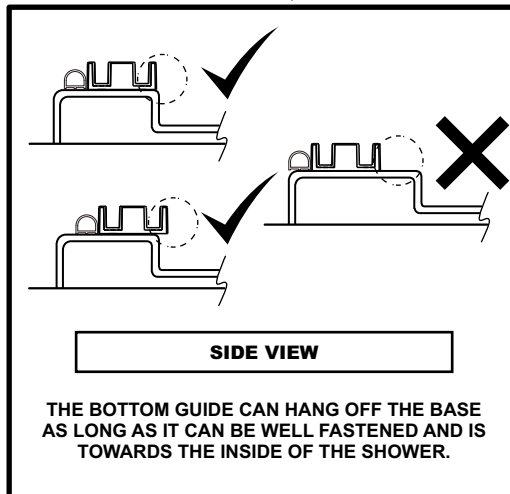
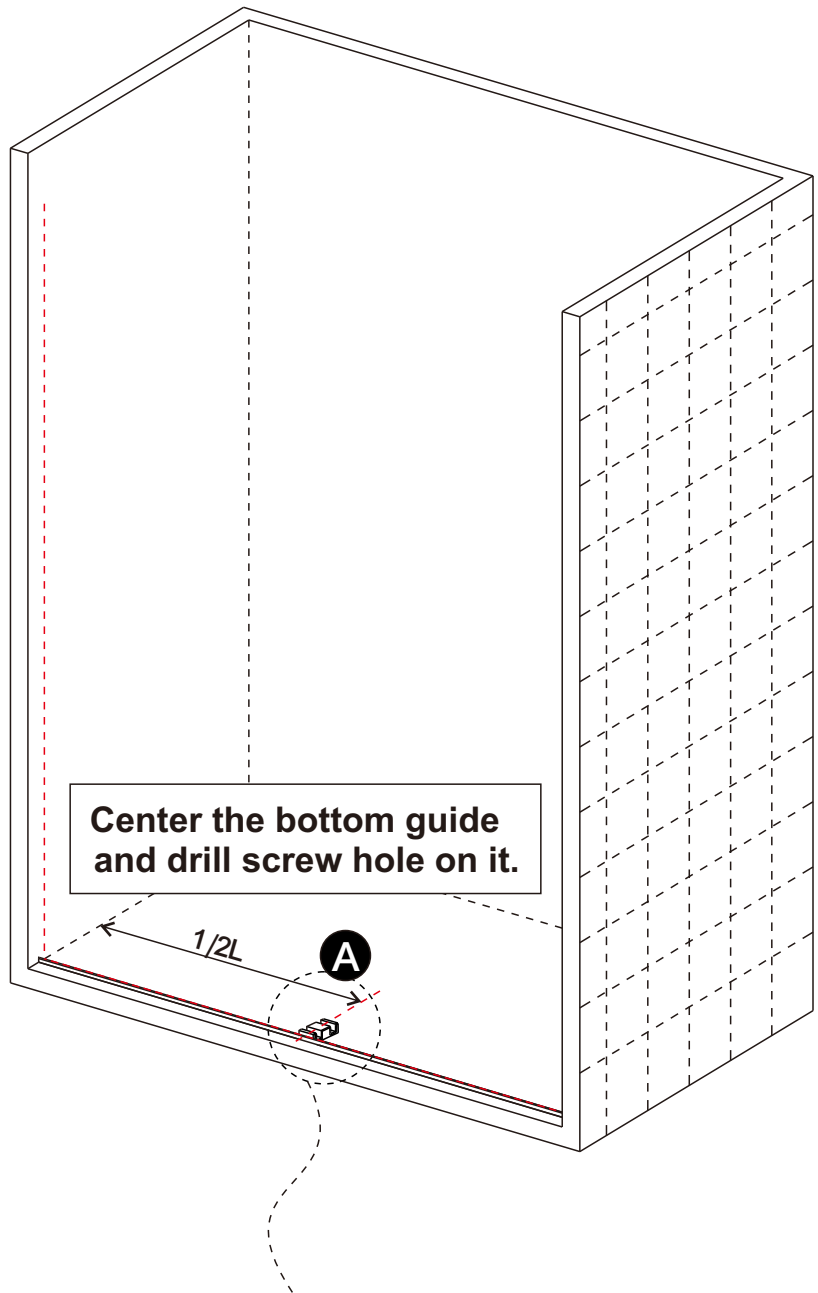
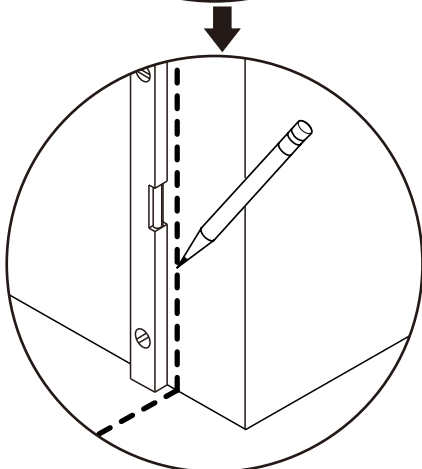
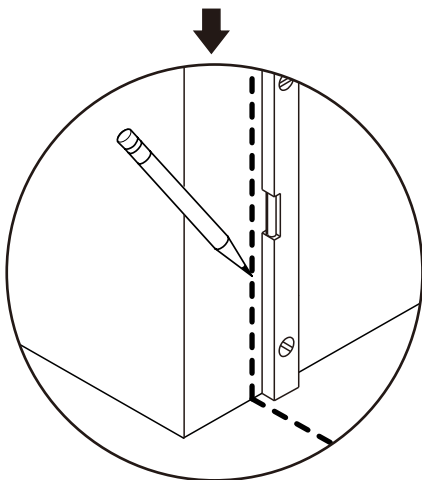
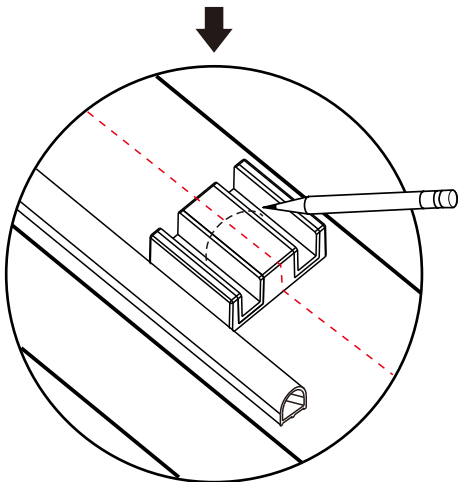
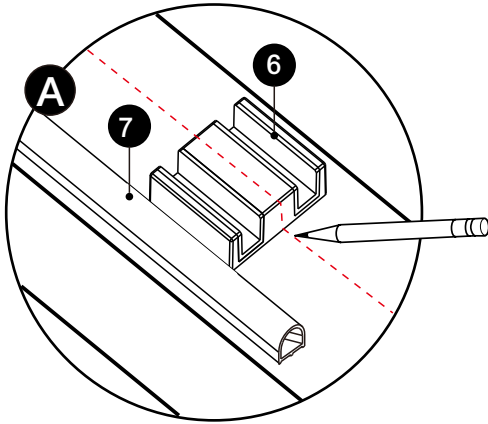
Step 1



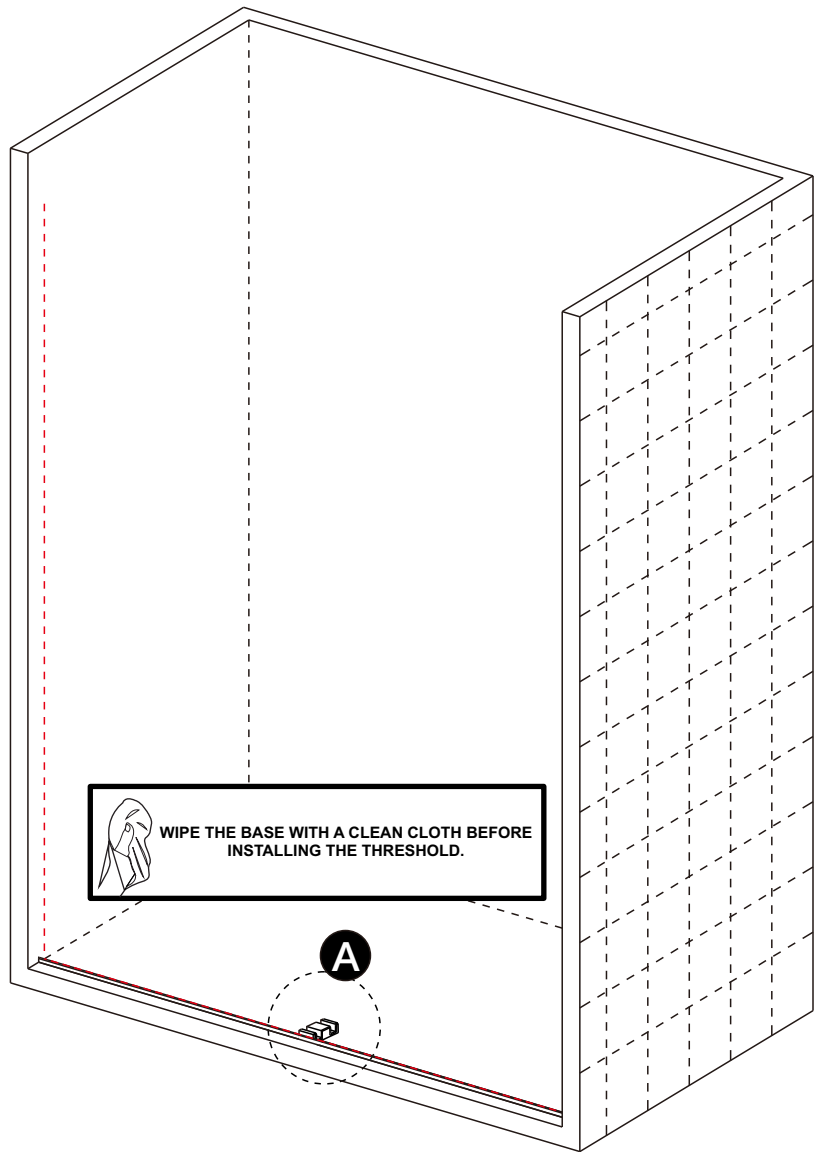
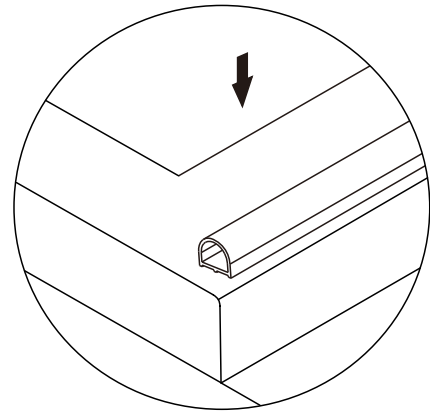
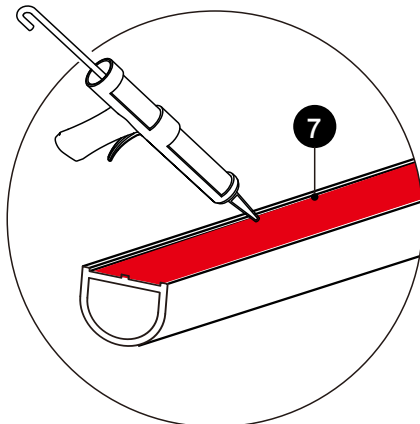
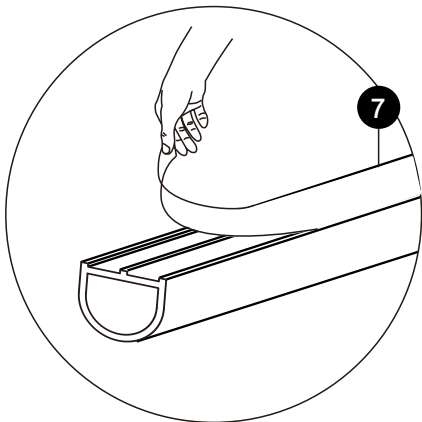
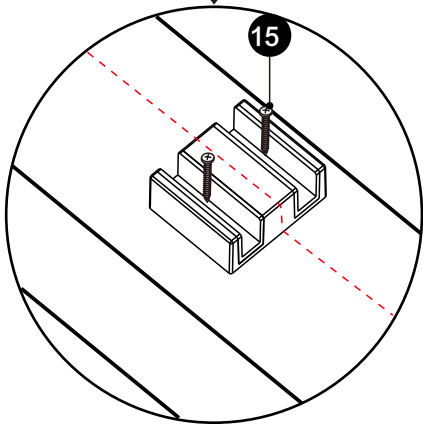
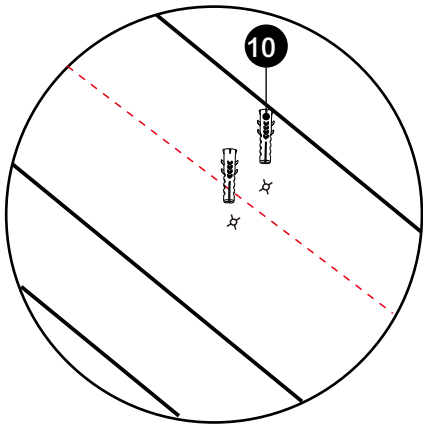
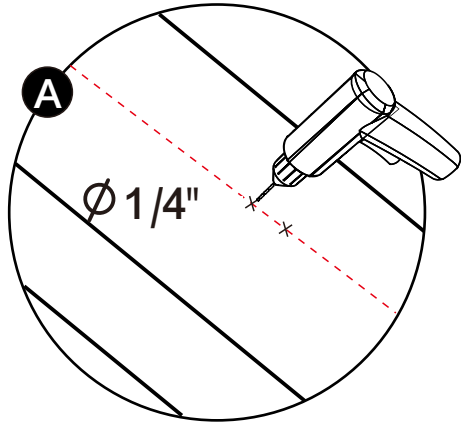
**RUNNING RAIL = SUBTRACT 13/16" (20mm) FROM W1**

**TRANSPARENT RETAINING ARTICLE = SUBTRACT 1/6" (4mm) FROM W2**

## Step 2



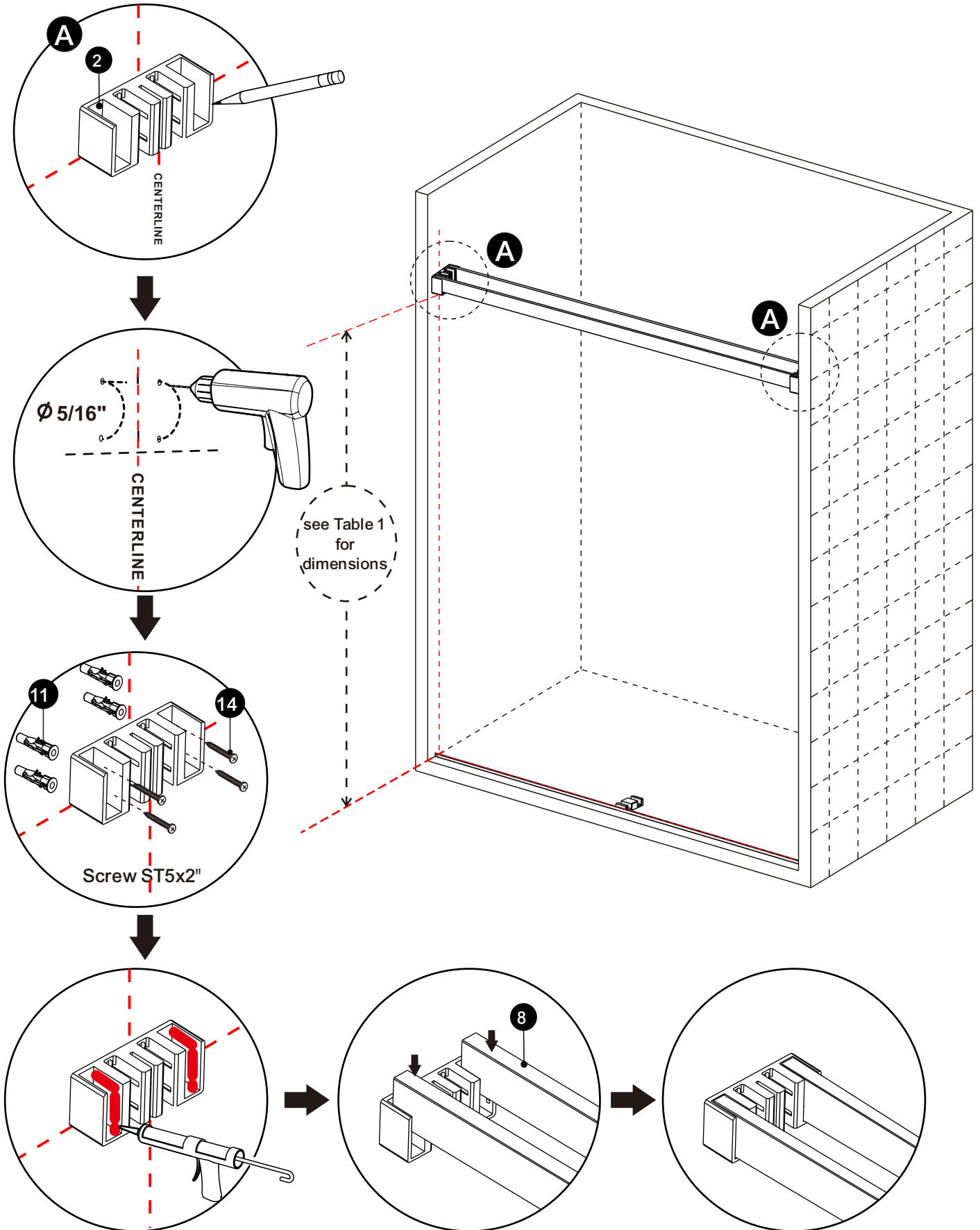
### Step 3



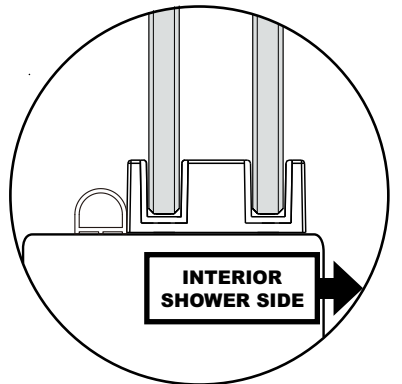
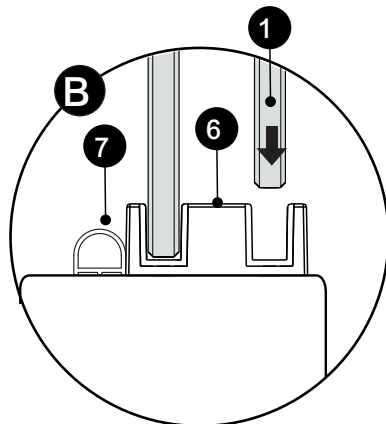
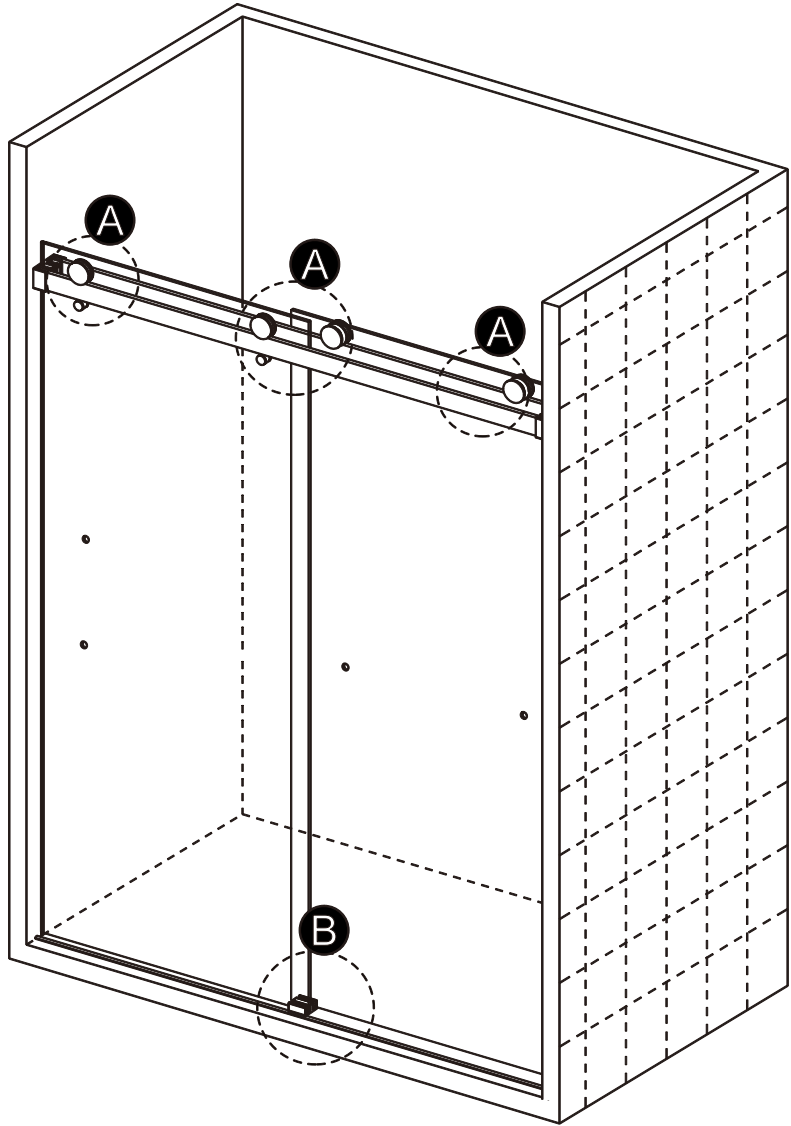
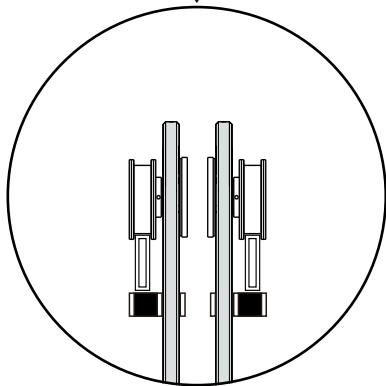
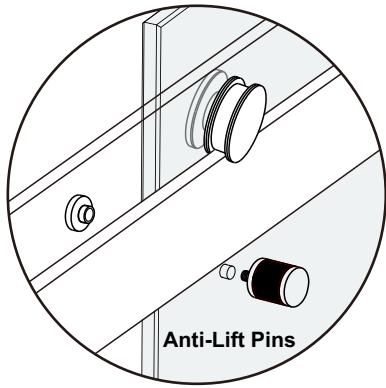
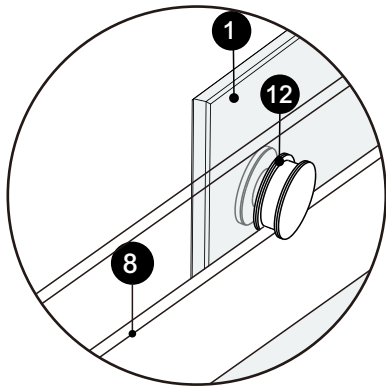
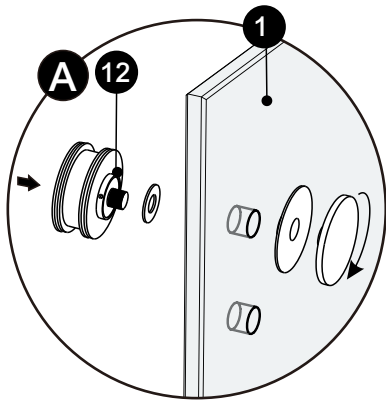
# Step 4

Table 1

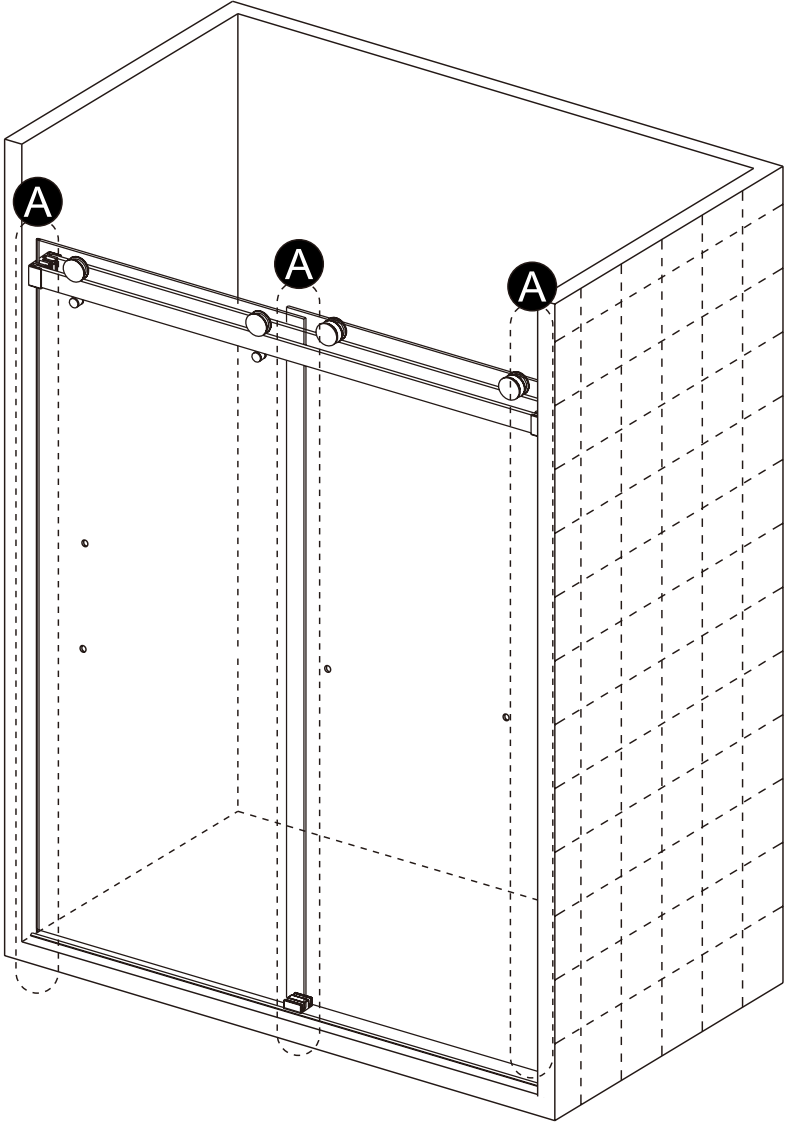
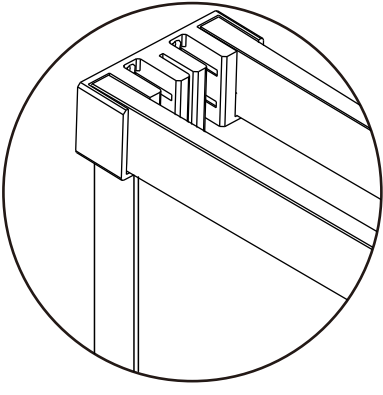
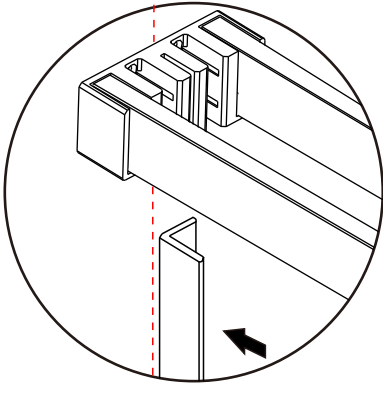
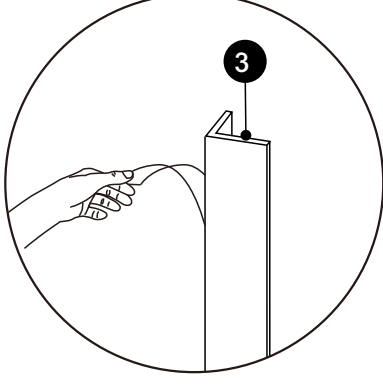
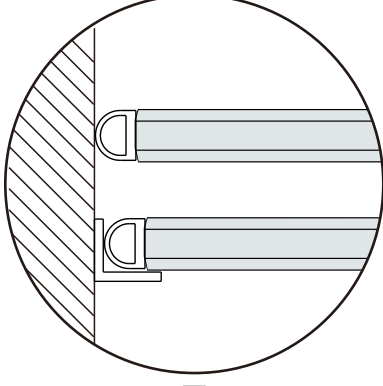
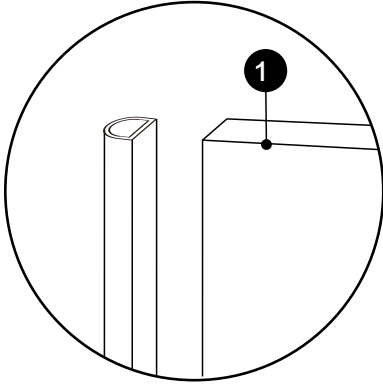
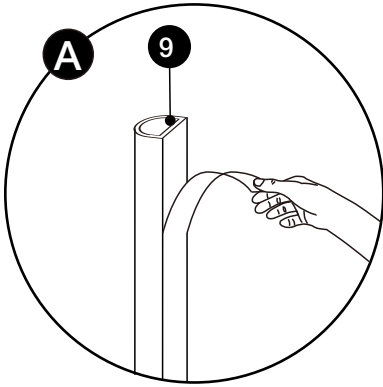
Shower height	Wall Bracket height
76" (1930mm)	71-3/8" (1813mm)



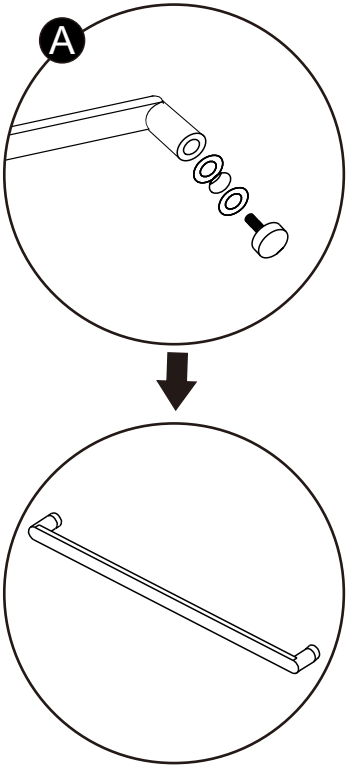
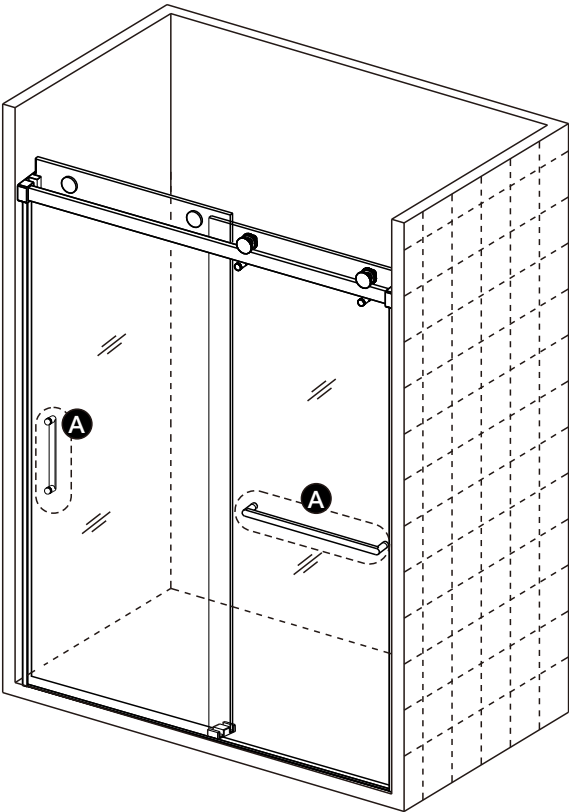
# Step 5



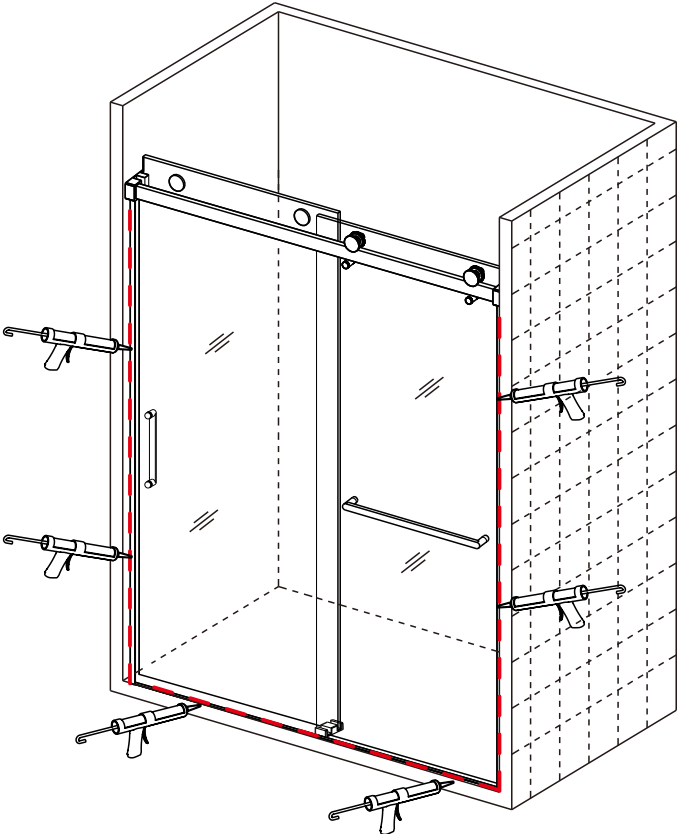
Step 6



# Step 7



# Step 8



**24 HOURS**

Allow 24 hours for silicone to dry before use.