

# PRE-ASSEMBLY TIPS

We get it - building furniture isn't always easy! But have no fear, helpful hints are here. Our assembly tips and tricks will have you enjoying that new furniture in no time. Let's get construction ready to rock!

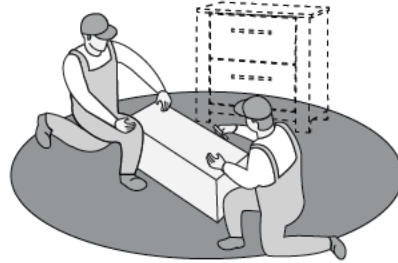
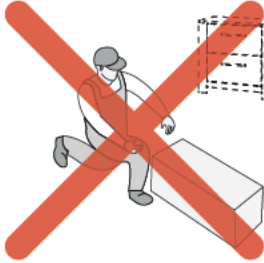
## TEAM ASSEMBLY

Have at least 2 people put the product together to prevent injury and damage.



## ASSEMBLE IN PLACE

Put together near the intended location to avoid moving later.



## CLEAR WORKSPACE

Ensure ample room to maneuver during assembly.



## AVOID SCRATCHES

Assemble on cardboard, blankets, or carpet to prevent scratches.



## FLAT SURFACE

Place on a level surface with furniture legs evenly contacting the floor.

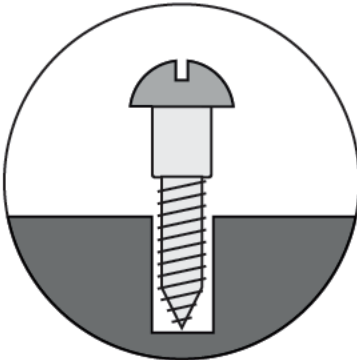


# ASSEMBLY SAFETY STEPS



FAILURE TO FOLLOW THE GUIDELINES BELOW MAY RESULT IN INJURY AND/OR PROPERTY DAMAGE.

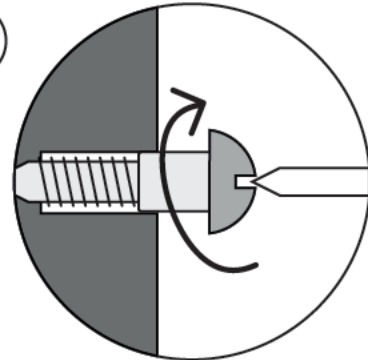
1



## POSITIONING

Insert all hardware and parts in the correct holes.

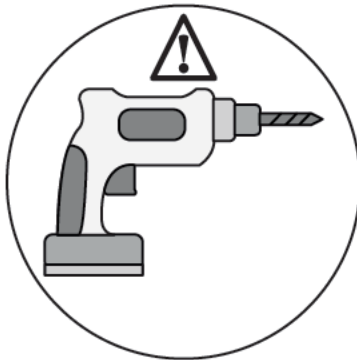
2



## TIGHTENING

Only tighten bolts when the step is fully completed.

3



## TOOLS

Use hand tools unless the manual specifies power tools.

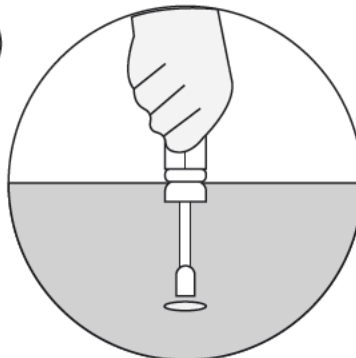
4



## INSTRUCTIONS

Keep the manual and tools for future maintenance needs.

5




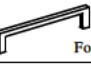






## MAINTENANCE

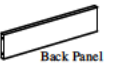
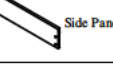

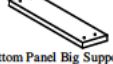



Check for loose joints after 2 weeks and re-tighten every 6 months.

## DISCLAIMER:

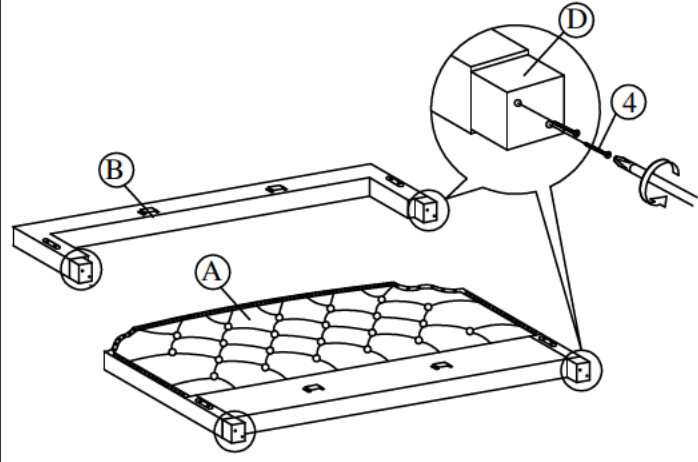
It is the user's responsibility to properly maintain the furniture over its lifetime. Hardware such as screws, bolts, and other fasteners may naturally loosen over time with normal use of the product. This can lead to instability if the furniture is unable to adequately support the intended weight capacity. To prevent injuries, following the maintenance instructions is key to ensuring product safety and longevity.

# ASSEMBLY INSTRUCTION

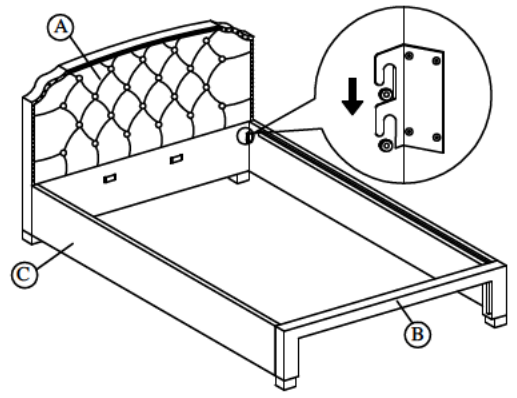
A		1 pc
B		1 pc
C		2 pcs
D		4 pcs
E		2 pcs
F		4 pcs
G		42 pcs
H		1 pc

I		1 pc
J		2 pcs
K		1 pc
L		3 pcs
M		2 pc
N		28 pcs
O		28 pcs

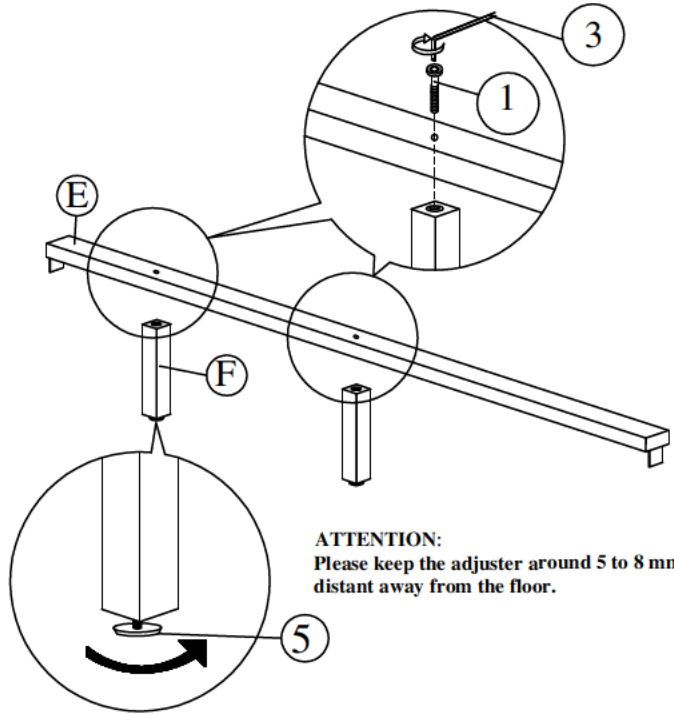
Step 1 : Tighten the legs (D) to both headboard (A) and footboard (B) as shown.



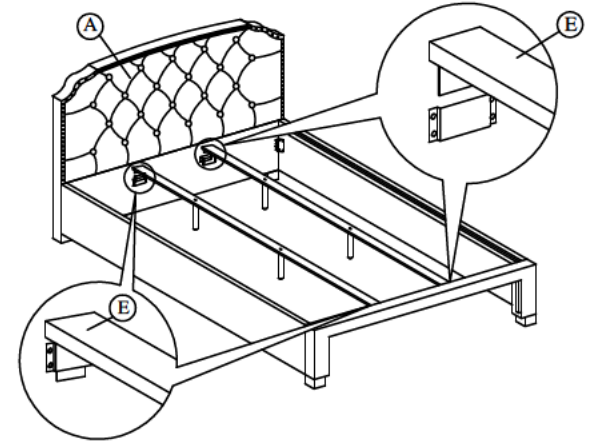
Step 2 : Attach side rail (C) to headboard (A) and footboard (B) by pushing the bracket down to fit it.



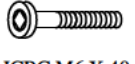

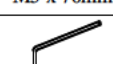
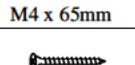
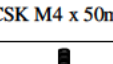
Step 3 : Attach the support legs (F) to the center rail (E) of the bed as shown.



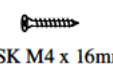
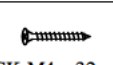
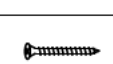

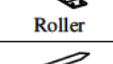
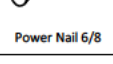
Step 4 : Slide the center rail (E) to the headboard (A) and footboard (B).



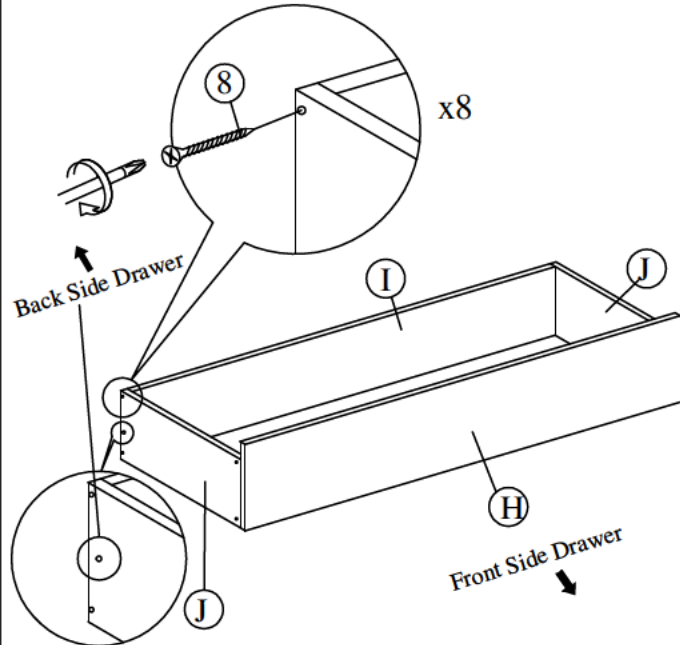
## hardware for bed (1)

1		4 pcs
2		1 pc
3		1 pc
4		8 pcs
5		4 pcs

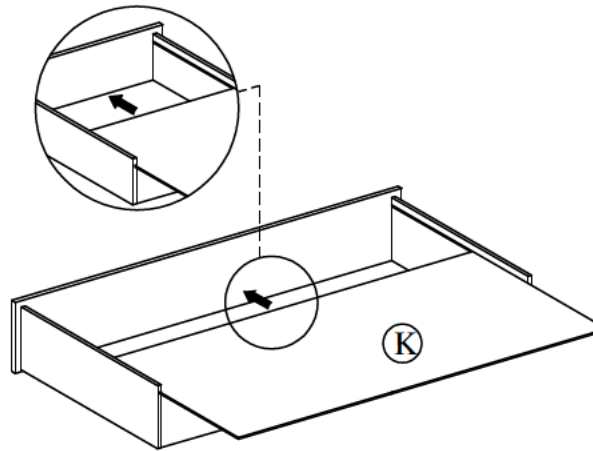
## hardware for panel (2)

6		24 pcs
7		16 pcs
8		8 pcs
9		6 pcs
10		24 pcs
11		2 pcs

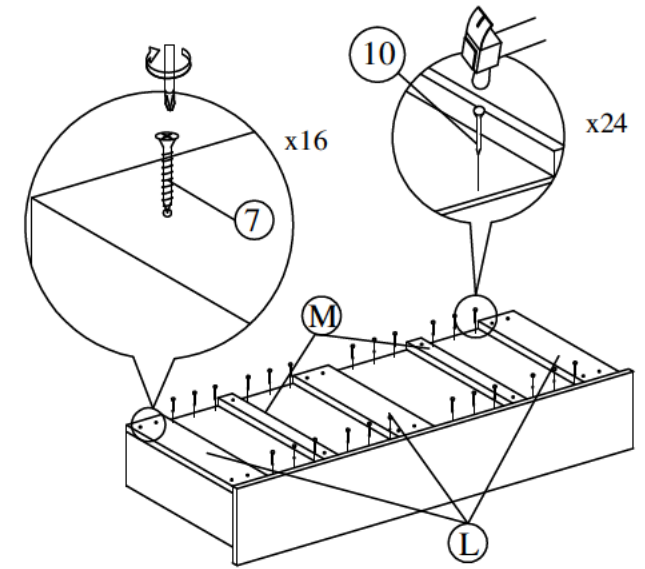
Step 5 : Tighten the side panel (J) to the front panel (H) and back panel (I) with screws (9) using screw driver (not included).



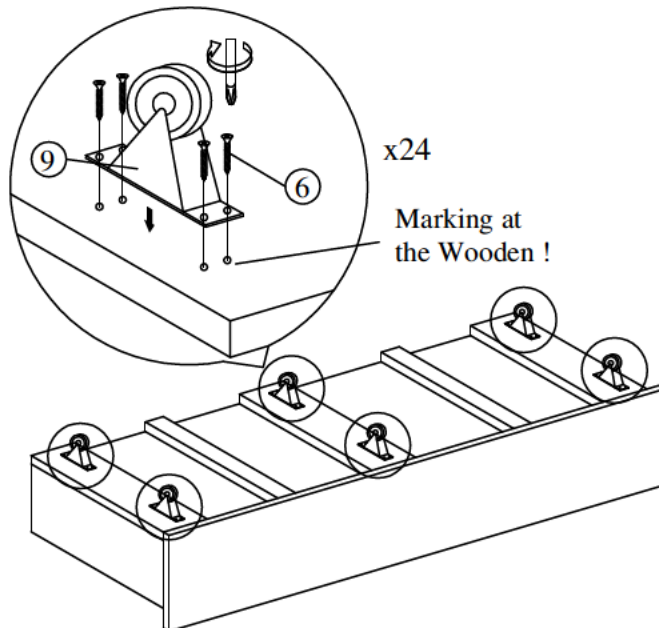
Step 6 : Slide the footboard bottom panel (K) to the set up drawer.



Step 7 : Tighten the bottom panel support (L & M) with screws (8) using screw driver (not included). Attach the bottom panel with Nail (11) using the hammer (not included).



Step 8 : Tighten the roller (10) with screws (7) using screw driver (not included).



Step 9 : Tighten all the 4 corner ,follow by assembly of the slat holders with LVL slats as shown.

