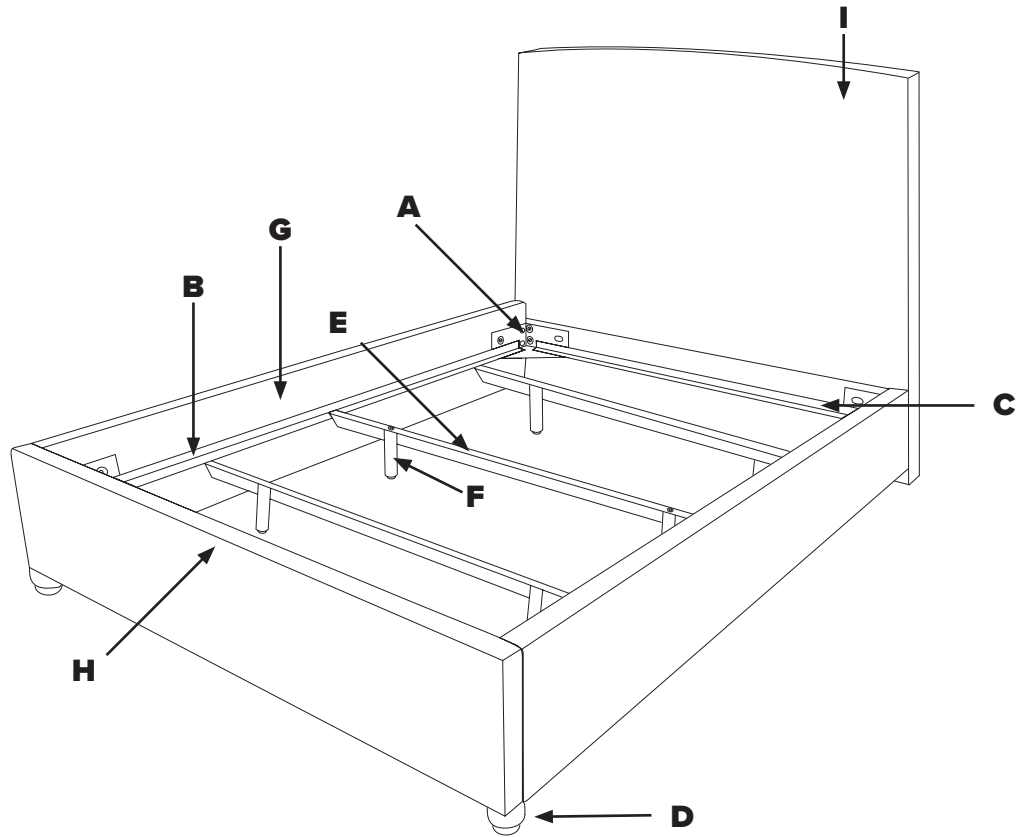


KING / CALIFORNIA KING BED ASSEMBLY

COMPONENTS

ITEM	DESCRIPTION	QTY
A	Metal corners	4
B	Metal side rail	2
C	Metal end rail	2
D	Front corner leg	2
E	Center support rail	3
F	Center support leg	6
G	Upholstered side rail	2
H	Upholstered foot rail	1
I	Headboard	1



HARDWARE



(H1) x 14
1/4" bolt



(H2) x 14
1/4" nut



(H3) x 6
1" x 1/4" bolt



(H4) x6
3/4" washer
smaller hole



(H5) x 18
1" x 5/16" bolt



(H6) x 24
1 1/4" washer



(H7) x 1
Smaller L wrench



(H8) x 1
Wrench



(H9) x 4
3" x 5/16" bolt



(H10) x 6
L bracket



(H11) x 20
3/4" screw

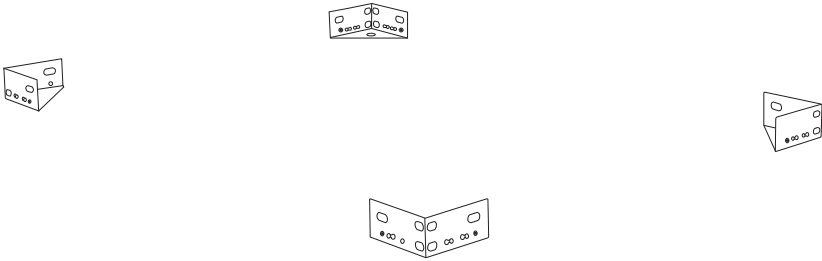


(H12) x 4
2" screw

Please note: you will need a flat head and phillips head screwdriver to assemble your bed frame.

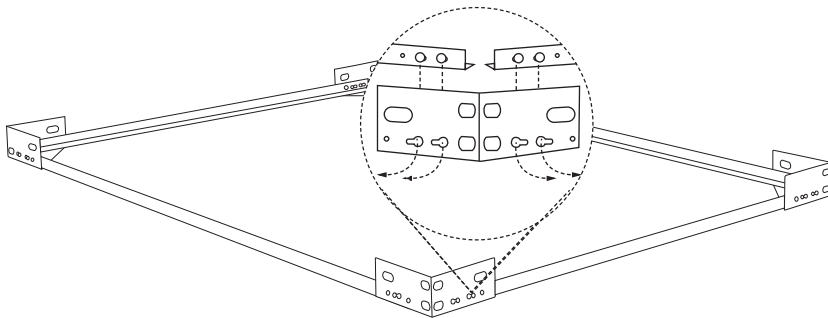
KING / CALIFORNIA KING BED ASSEMBLY

STEP 1 - BUILDING THE METAL BED FRAME



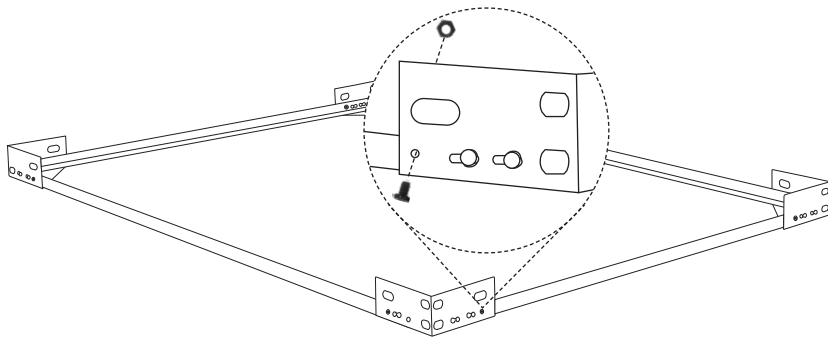
1.1

Place (A) metal corners in a rectangular shape roughly the size of your mattress.



1.2

Lay (B) and (C) metal rails into (A) metal corners to create the shape of your bed frame. Snap into place.



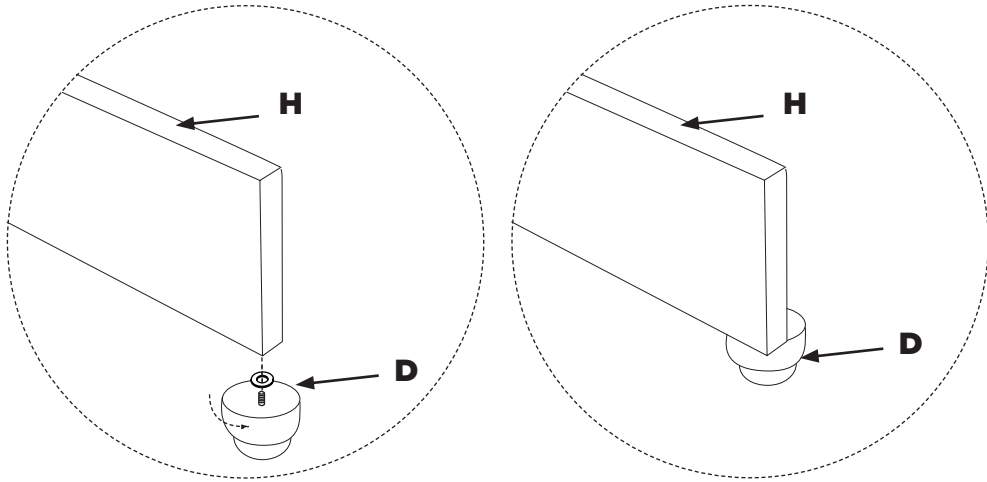
1.3

Secure (B, C) metal rails to (A) metal corners using (H1) bolts and (H2) nuts. Tighten using (H7) L wrench and (H8) wrench.

Please note: (H2) nuts should be on the inside of the frame.

KING / CALIFORNIA KING BED ASSEMBLY

STEP 2 - ATTACHING FRONT CORNER LEGS TO FOOT RAIL

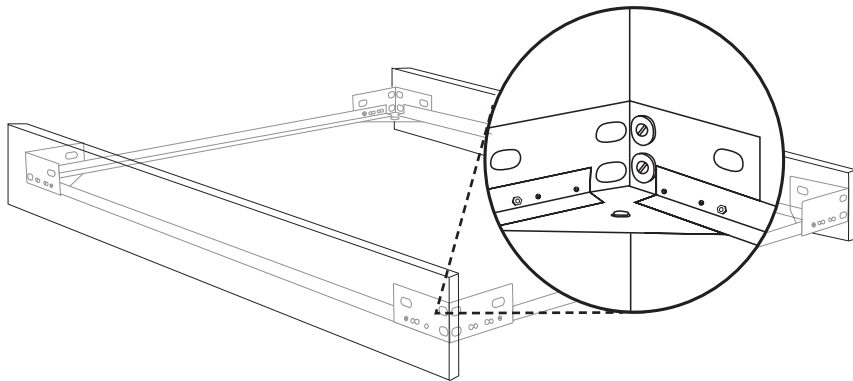


2.1

Carefully attach (D) corner legs using 1 (H6) washer to (H) foot rail. Twist until corner legs are tight and flush with rail.

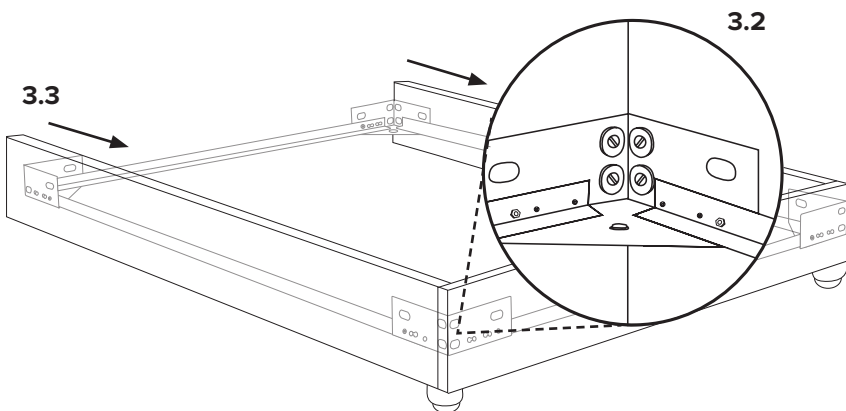
Please note: Overhang of corner legs will occur. Used for side rails to sit in place

STEP 3 - ATTACHING THE UPHOLSTERED RAILS



3.1

Carefully attach (G) side rails along (A) metal corners using (H5) bolts and (H6) washers. Loosely attach using flathead screwdriver.



3.2

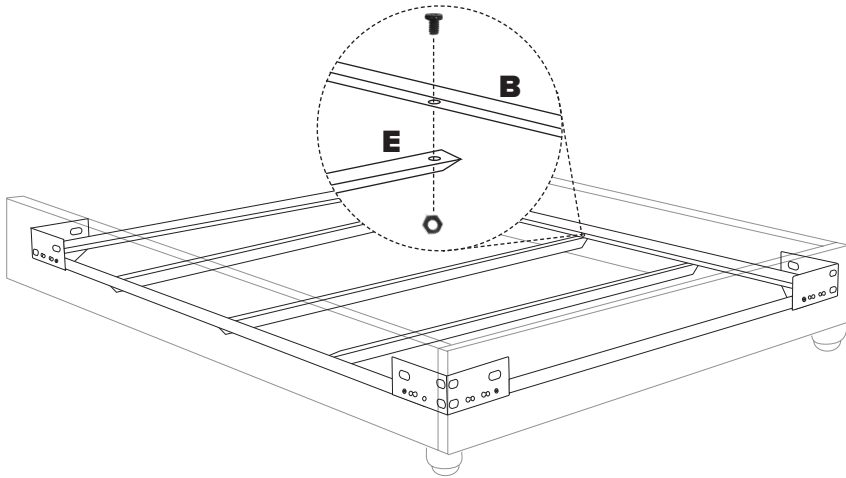
Carefully attach (H) foot rail along (A) metal corners using (H5) bolts and (H6) washers. Loosely attach using flathead screwdriver.

3.3

Push (G) side rails toward (H) foot rail to eliminate any gaps. Tighten (G) side rails first, then (H) foot rail using flat head screwdriver.

KING / CALIFORNIA KING BED ASSEMBLY

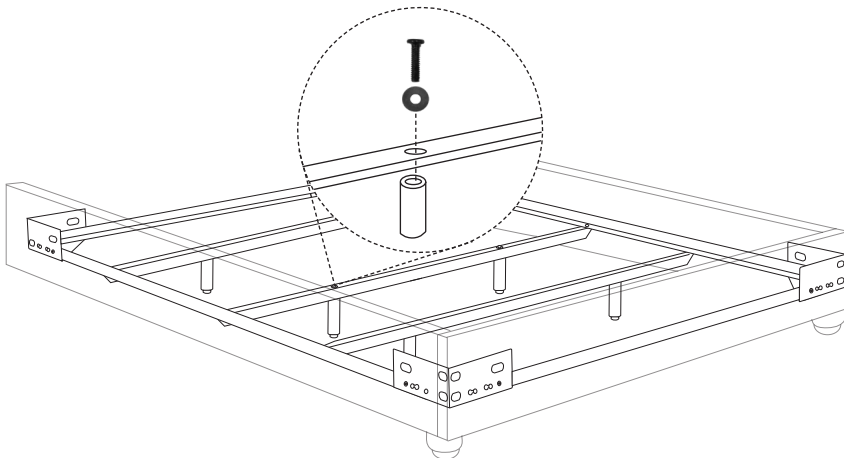
STEP 4 - CENTER SUPPORT SYSTEM



4.1

Align holes of (E) center support rails with holes on (B) metal side rails. Attach using (H1) bolts and (H2) nut. Tighten using (H7, H8) wrenches.

Please note: (E) center support rail attaches underneath (B) metal side rails.



4.2

Attach (F) center support legs to (E) center support rail using (H3) bolts and (H4) washer. Tighten using (H7) L wrench.

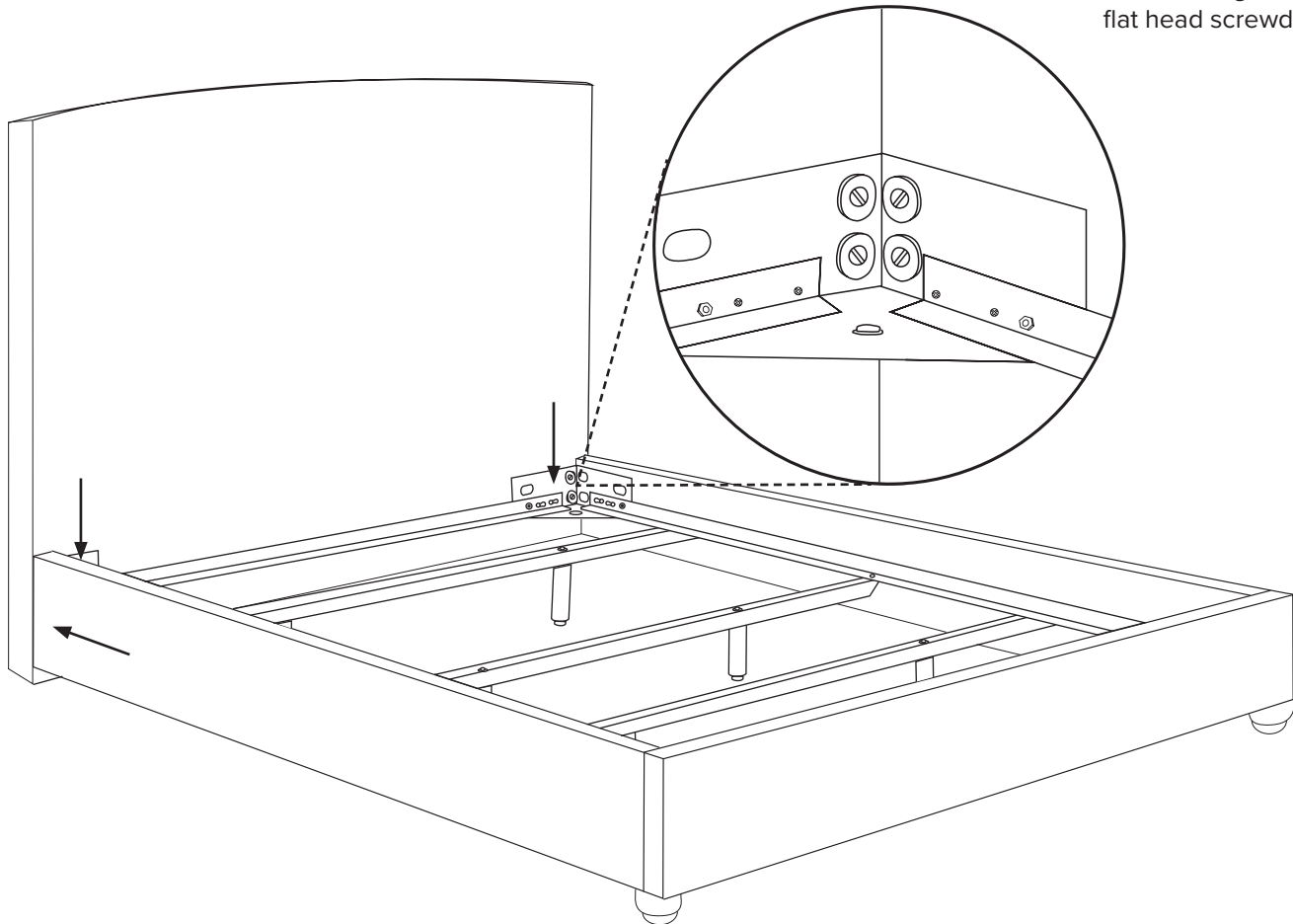
Please note: You will have to lift the side without legs when installing center support legs.

KING / CALIFORNIA KING BED ASSEMBLY

STEP 5 - ATTACHING THE HEADBOARD

5.1

Attach (I) headboard to assembled bed frame using (H9) bolts and (H6) washers. Tighten using a flat head screwdriver.



LIMITED WARRANTY

. guarantees its upholstered furniture against defects in construction for a period of one (1) year. When a structural defect is brought to our attention, we will repair or replace it at our option at no charge to the customer (includes parts and labor, not transportation costs). Fabric wearability for upholstered furniture is not covered by the warranty. Vacuum for regular cleaning.

PLEASE DISPOSE OF PLASTIC BAG(S) AND CARTON(S) RESPONSIBLY.

LIMITE DE GARANTIA

. garantiza sus muebles tapizados contra defectos en construcción por un periodo de un (1) año. Cuando un problema de estructura es traído a nuestra atención, nosotros repararemos o remplazaremos sin ningún cargo a nuestro cliente (incluye partes y trabajo, no costo en transportación). Descoloramiento del material de muebles tapizados no es cubierto por la garantía. Regularmente puede aspirar.

POR FAVOR TIRAR BOLSA(S) Y CAJA(S) RESPONSABLEMENTE.

GARANTIE LIMITÉE

garantit ses meubles rembourrés contre les défauts de construction pendant une période d'un (1) an. Lorsqu'un vice de construction nous est signalé, nous réparons ou remplaçons le meuble, selon notre choix, sans frais pour le client (incluant les pièces et la main-d'oeuvre, mais excluant les frais de transport). La durabilité du tissu des meubles rembourrés n'est pas couverte par la garantie. Nettoyer régulièrement avec un aspirateur.

VEUILLEZ JETER LE OU LES SAC(S) EN PLASTIQUE ET BOÎTE(S) DE FAÇON RESPONSABLE.

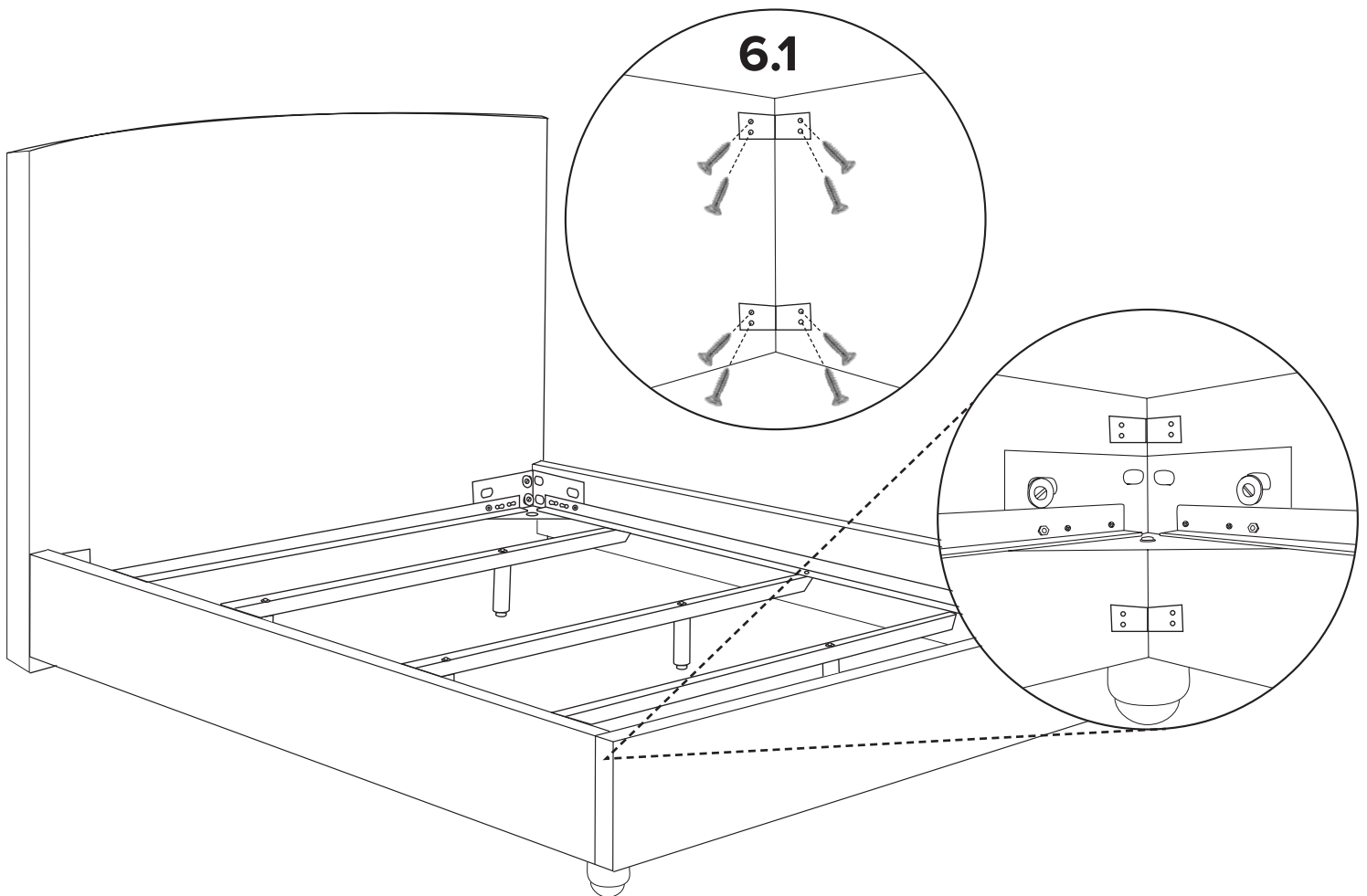
KING / CALIFORNIA KING BED ASSEMBLY

STEP 6 - REINFORCE THE UPHOLSTERED RAILS

6.1

Reinforce (G, H) upholstered rails together using (H10) L brackets and (H11) screws as shown below.

Please note: this requires screwing (H11) directly into the (G, H) upholstered rails.



KING / CALIFORNIA KING BED ASSEMBLY

STEP 7 - REINFORCE THE UPHOLSTERED RAILS TO HEADBOARD

7.1

Reinforce (G) upholstered rails and (I) headboard together using (H10) L brackets and (H11/H12) screws as shown below.

Please note: this requires screwing (H11/H12) screws directly into the (G) upholstered rails and (I) headboard.

