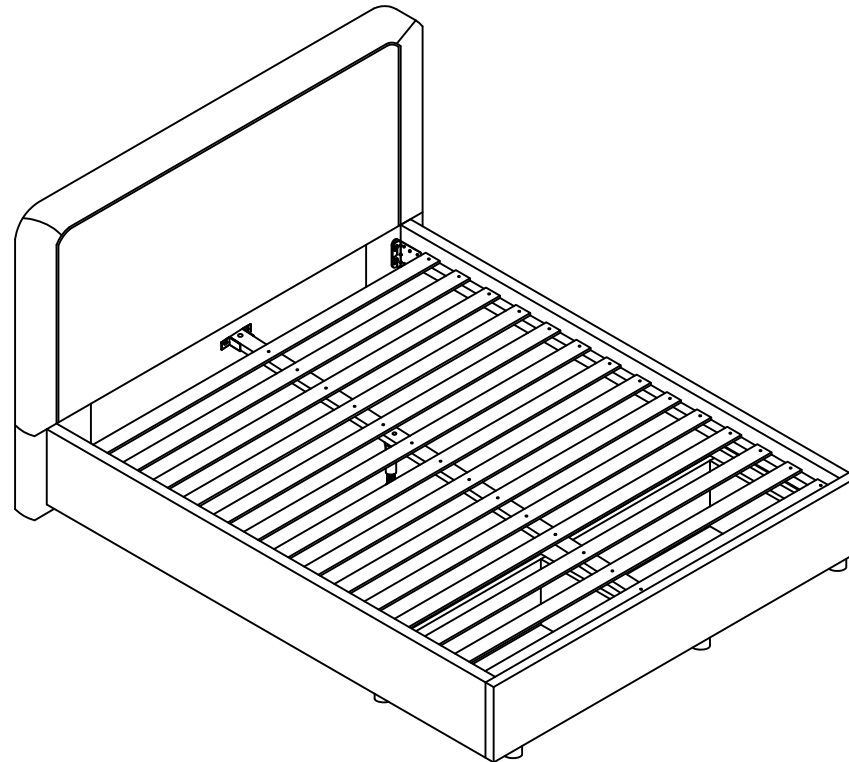


MOE'S

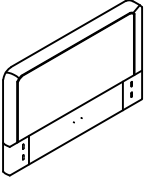
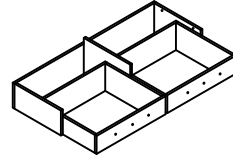

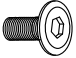
Assembly Instructions Simon King Storage Bed Brown

RN-1159-20-0

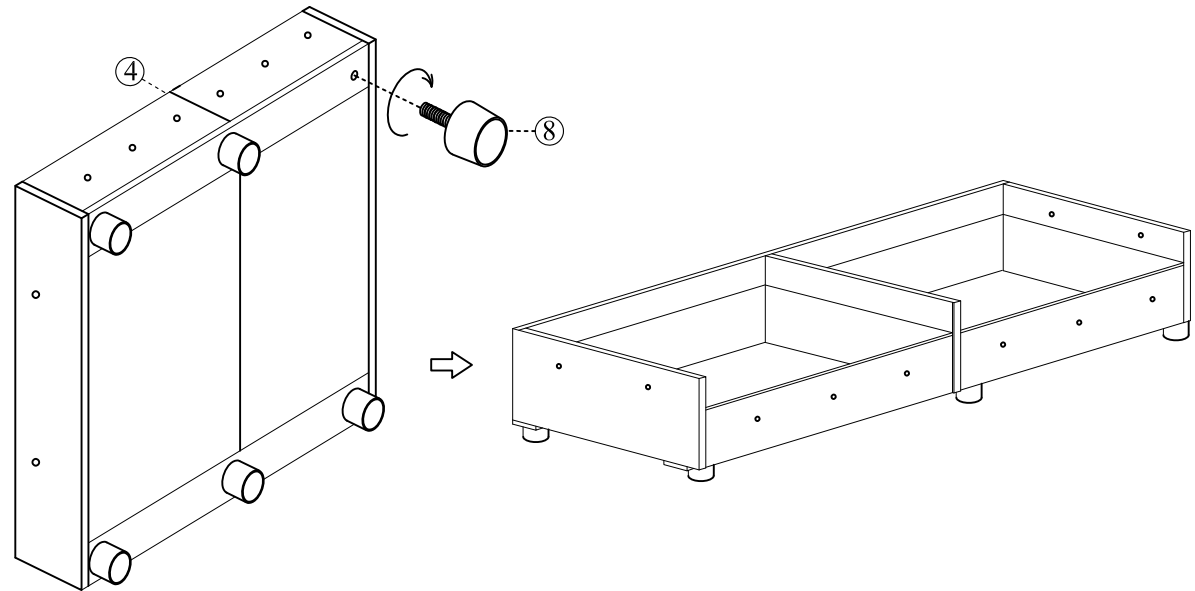


THANK YOU FOR YOUR PURCHASE!

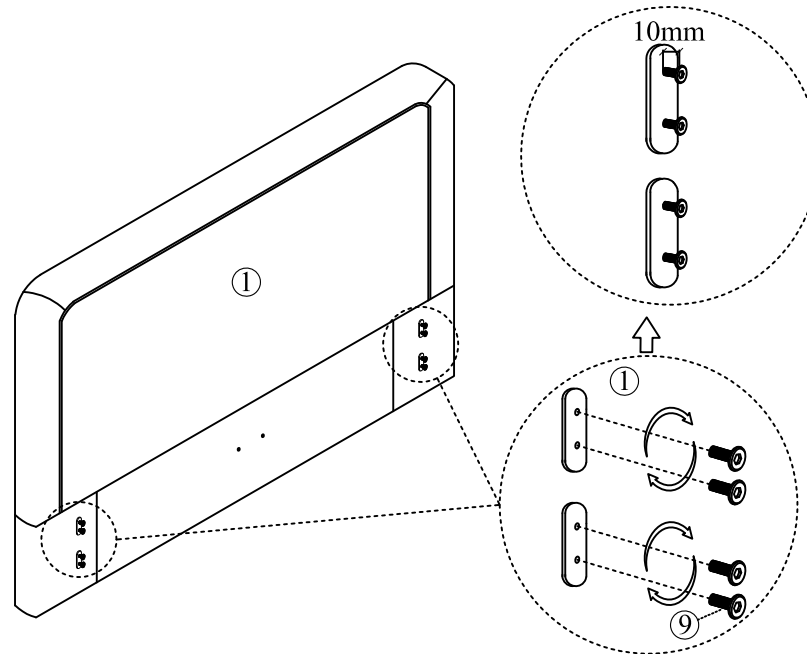
Parts and Hardware

| | |
|--|---|
|  ① Headboard=1pc |  ④ Footboard Drawer =1pc |
|  ⑧ Feet=6pcs |  ⑨ Gold Bolts(M8*18mm) =8pcs |

Step 1



Step 2



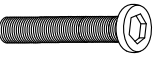
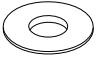



Notes

Thank you for purchasing this quality product!
Be sure to check all packing material carefully
for small part that may have come loose inside
the carton during shipping.

CAUTION: The item is heavy, assembly
should be performed by two people.

Parts and Hardware

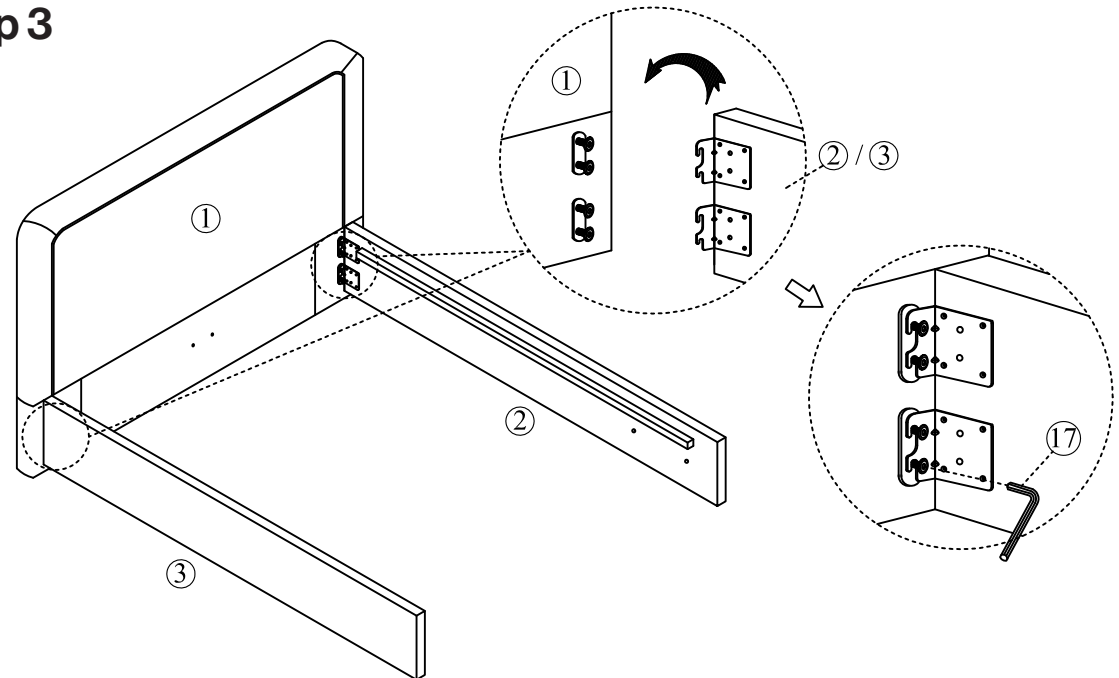
| | |
|---|--|
|  <p>② Right Side Rail =1pc</p> |  <p>③ Left Side Rail =1pc</p> |
|  <p>⑪ Bolts(M8*35mm) =4pcs</p> |  <p>⑫ Washers (M8)=4pcs</p> |
|  <p>(M5) ⑬ Allen Key=1pc</p> | |

Notes

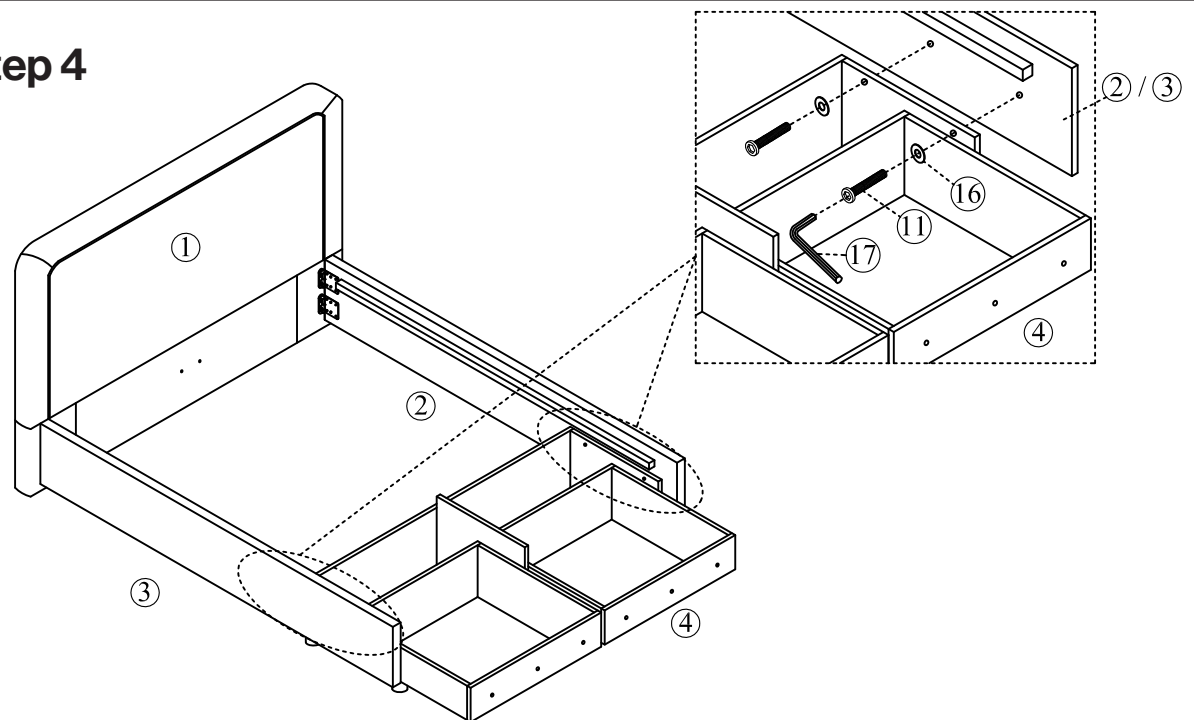
Thank you for purchasing this quality product!
Be sure to check all packing material carefully
for small part that may have come loose inside
the carton during shipping.

CAUTION: The item is heavy, assembly
should be performed by two people.


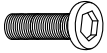
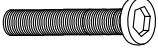
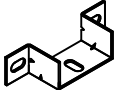

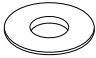
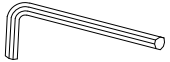
Step 3



Step 4



Parts and Hardware

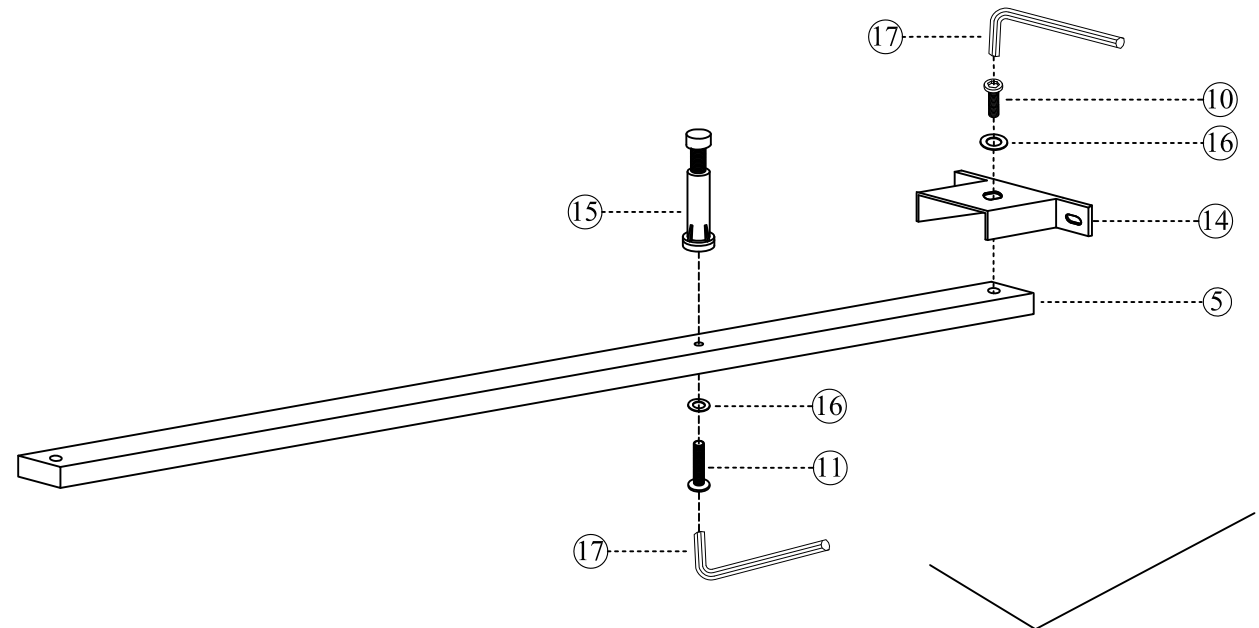
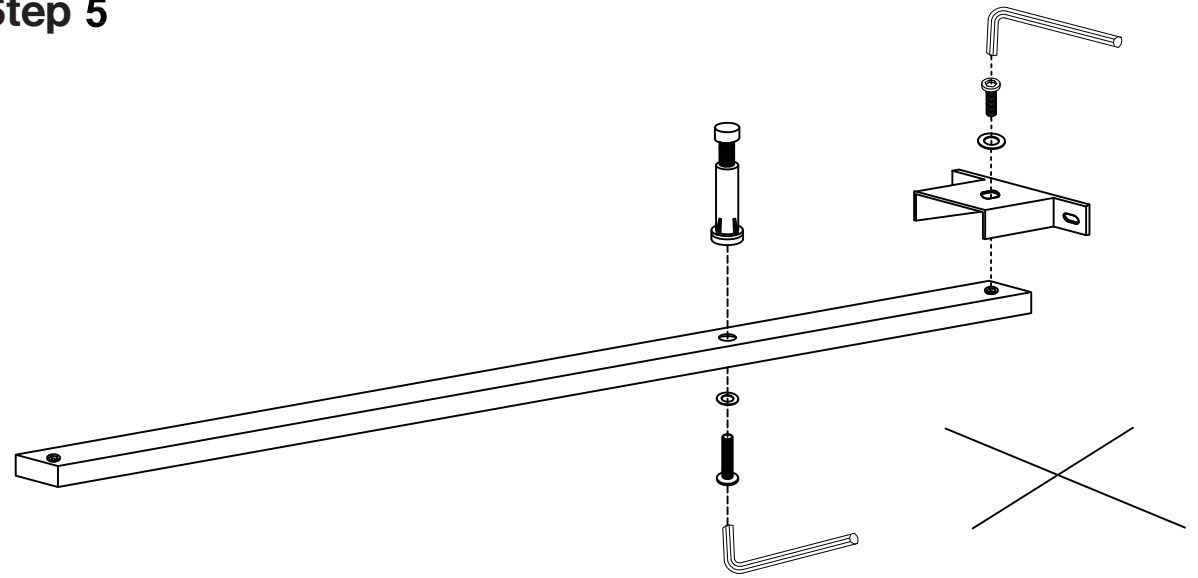
| | |
|--|---|
|  ⑤ Center Rail=1pc |  ⑩ Bolts(M8*25mm)=1pc |
|  ⑪ Bolts(M8*35mm)=1pc |  ⑭ Bracket=1pc |
|  ⑮ Plastic Support Leg=1pc |  ⑯ Washers (M8)=2pcs |
|  (M5) ⑰ Allen Key=1pc | |

Notes

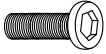

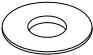
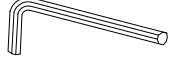
Thank you for purchasing this quality product! Be sure to check all packing material carefully for small part that may have come loose inside the carton during shipping.

CAUTION: The item is heavy, assembly should be performed by two people.

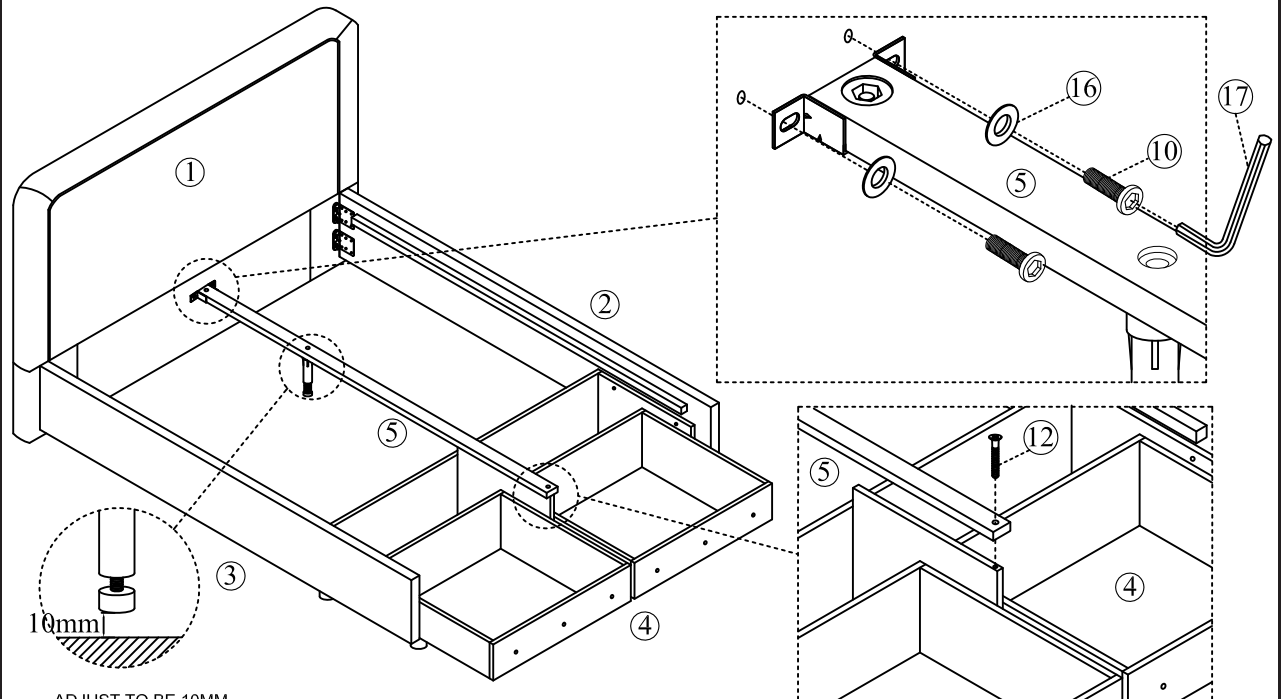
Step 5



Parts and Hardware

| | |
|--|---|
|  ⑩ Bolts(M8*25mm) =2pcs |  ⑫ Bolts(M7*38mm) =1pc |
|  ⑬ Washers (M8)=2pcs |  (M5) ⑭ Allen Key=1pc |

Step 6



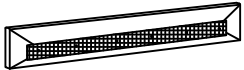

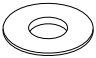

Notes

Thank you for purchasing this quality product!
Be sure to check all packing material carefully
for small part that may have come loose inside
the carton during shipping.

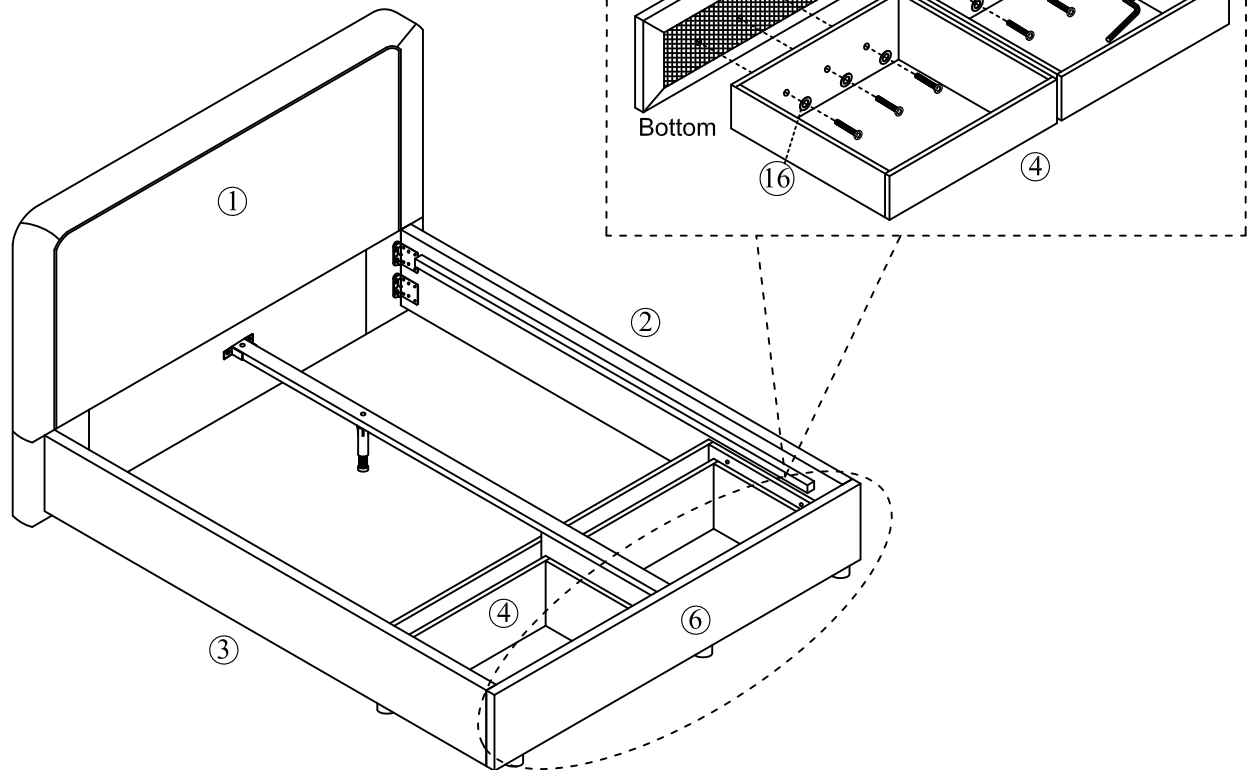
CAUTION: The item is heavy, assembly
should be performed by two people.

ADJUST TO BE 10MM
GAP FROM FLOOR TO
THE BOTTOM OF
SUPPORT LEGS.

Parts and Hardware

| | |
|---|--|
|  ⑥ Drawer Board =1pc |  ⑪ Bolts(M8*35mm) =6pcs |
|  ⑫ Washers (M8)=6pcs |  (M5) ⑬ Allen Key=1pc |

Step 7



Notes

Thank you for purchasing this quality product!
Be sure to check all packing material carefully
for small part that may have come loose inside
the carton during shipping.

CAUTION: The item is heavy, assembly
should be performed by two people.

Parts and Hardware

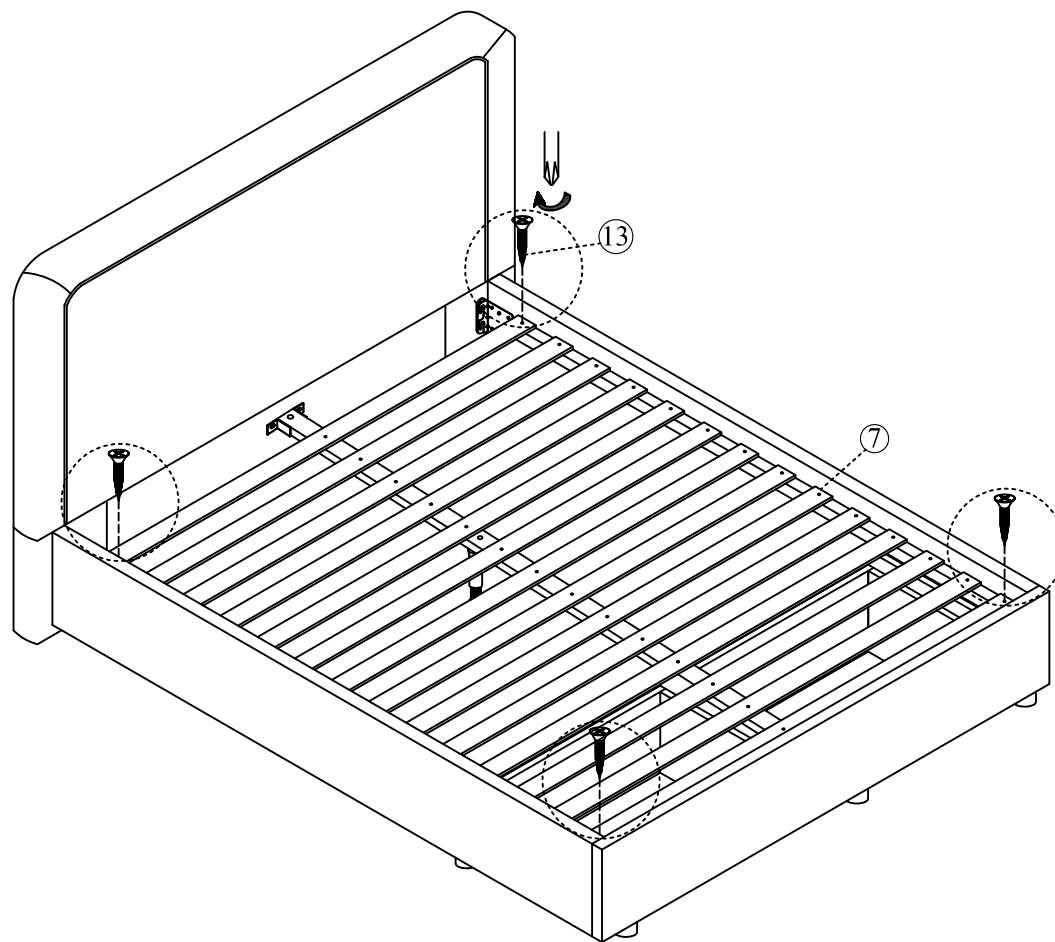


⑦ Slats=1pc



⑬ Screws(M4*32mm)
=4pcs

Step 8



Notes

Thank you for purchasing this quality product!
Be sure to check all packing material carefully
for small part that may have come loose inside
the carton during shipping.

CAUTION: The item is heavy, assembly
should be performed by two people.

Parts and Hardware



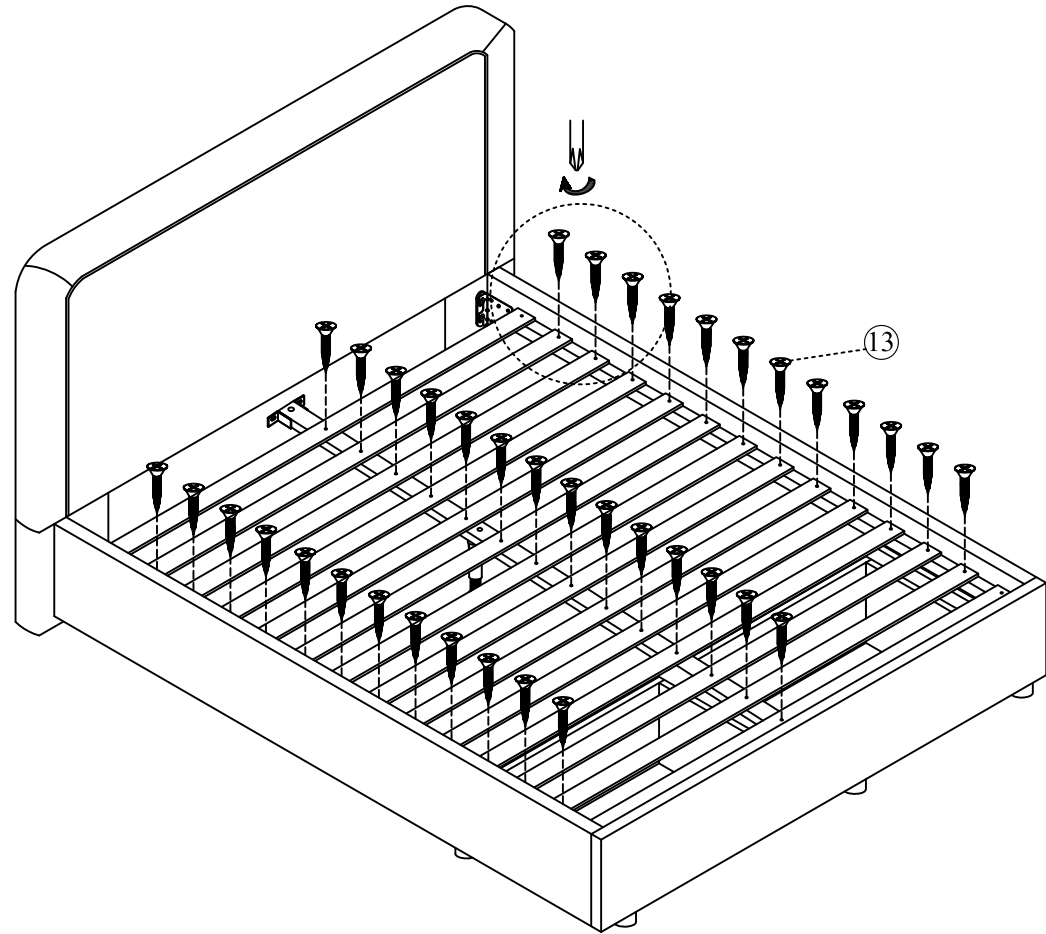
⑬ Screws(M4*32mm)
=38pcs

Notes

Thank you for purchasing this quality product!
Be sure to check all packing material carefully
for small part that may have come loose inside
the carton during shipping.

CAUTION: The item is heavy, assembly
should be performed by two people.

Step 9



Warning: When you need to move the bed please lift it, do not drag it.