

# Assembly Instruction

## Corner Seat



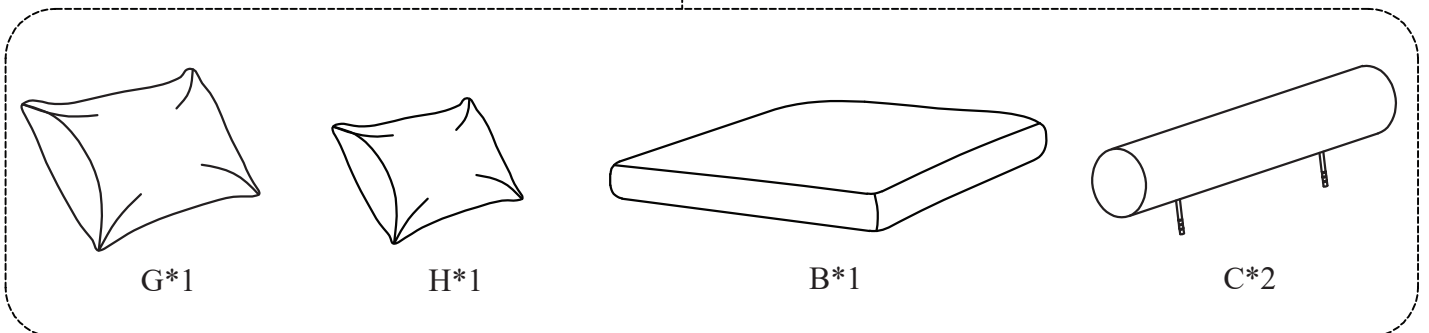
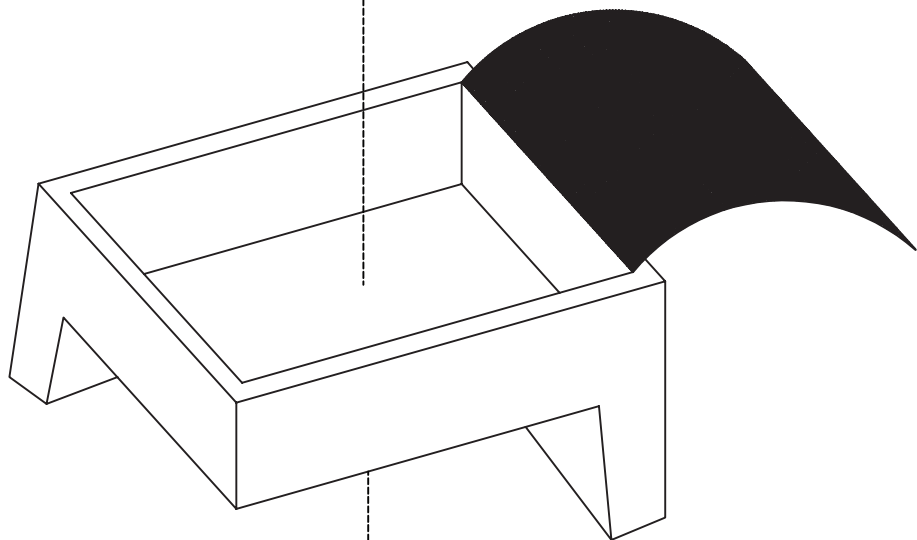
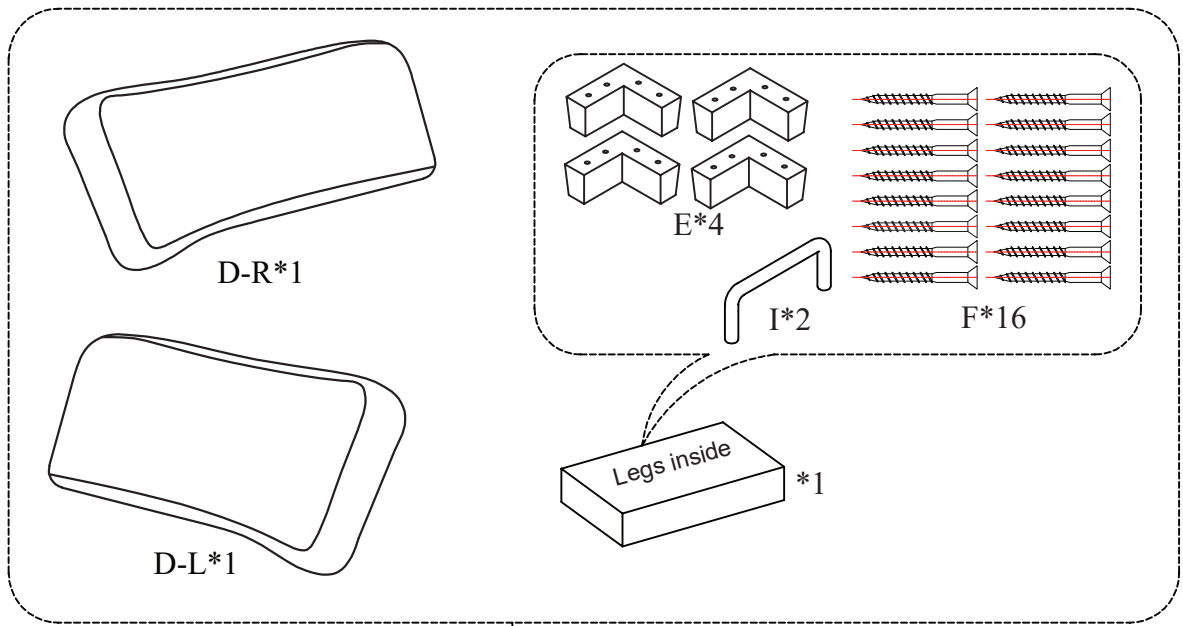
Legs & hardware are stored in the box, please take out the legs and hardware for assembly.

Note: Do not use power tools for assembly. Power tools increase the risk of over tightening which lead to splitting or cracking the wood.

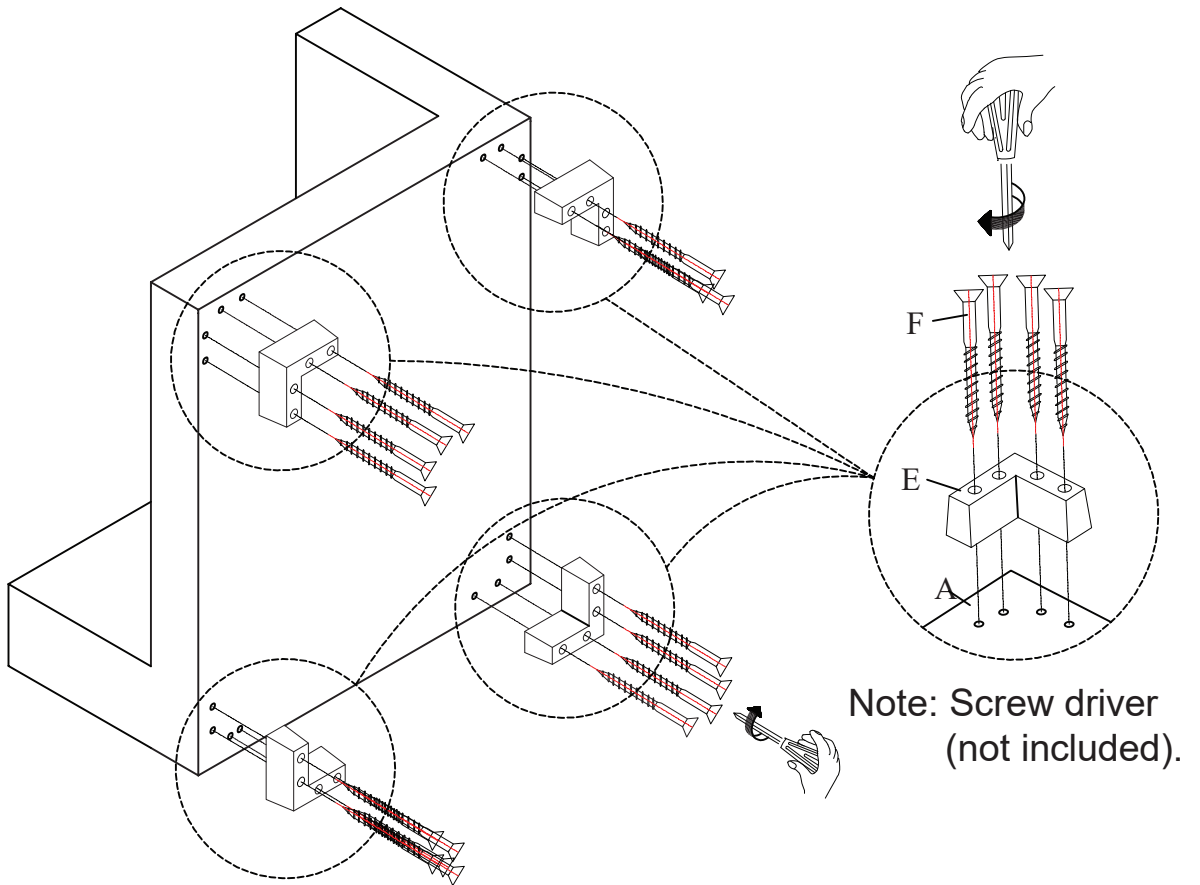
### Chair Component list

No	Drawing	Qty	Description
A		1	SEAT
B		1	SEAT CUSHION
C		2	HEADREST
D-R		1	LSF BACK CUSHION
D-L		1	RSF BACK CUSHION
E		4	PLASTIC LEG 150*150*70mm
F		16	SCREW M4*70mm
G		1	SQUARE PILLOW 550*550*120mm
H		1	SQUARE PILLOW 480*480*120mm
I		2	CONNECTION LOCK 78*50*40mm

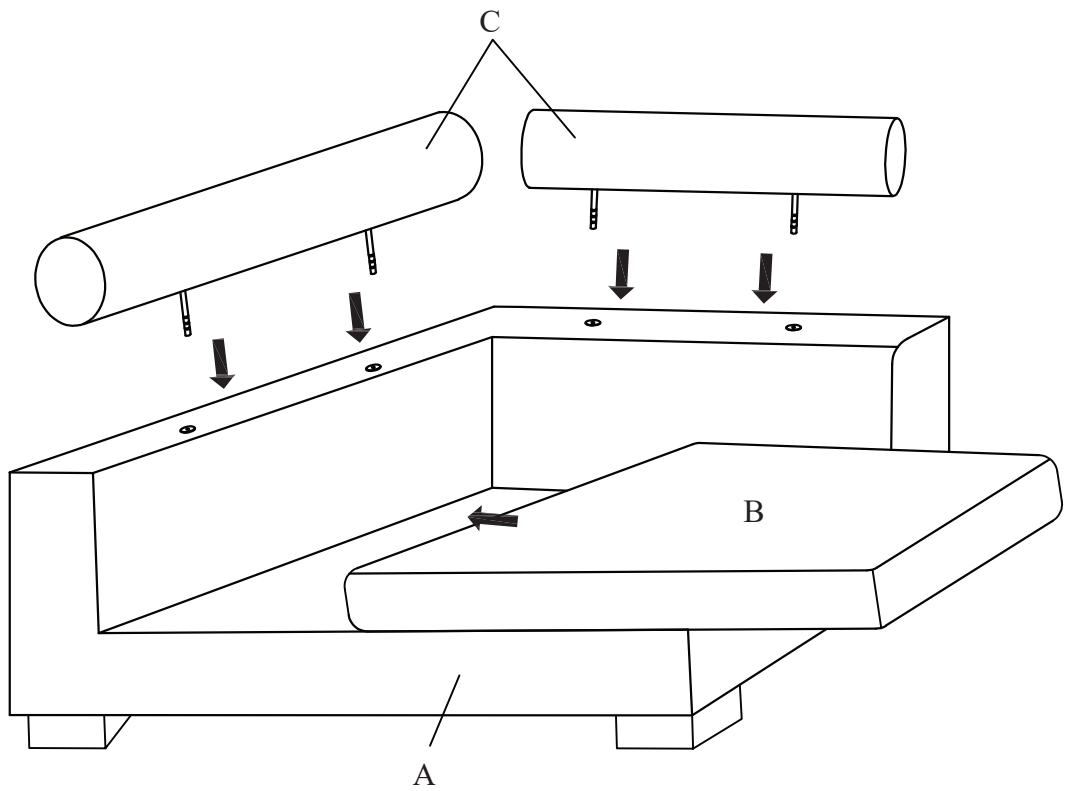
THE PARTS ARE LOCATED INSIDE THE BOX AS BELOW:



## Step #1

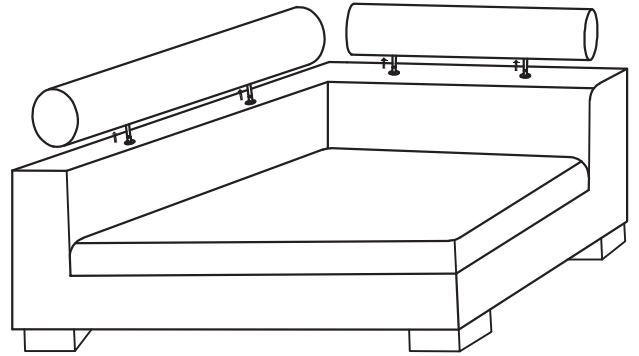
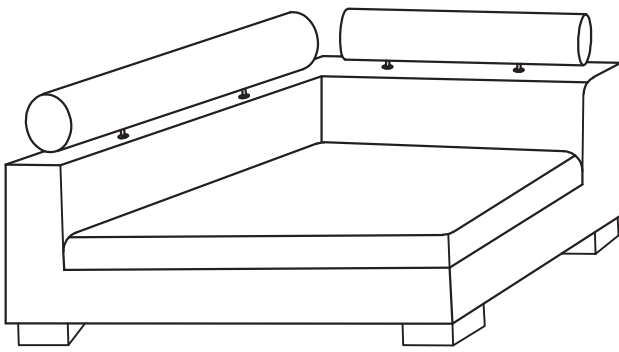


## Step #2

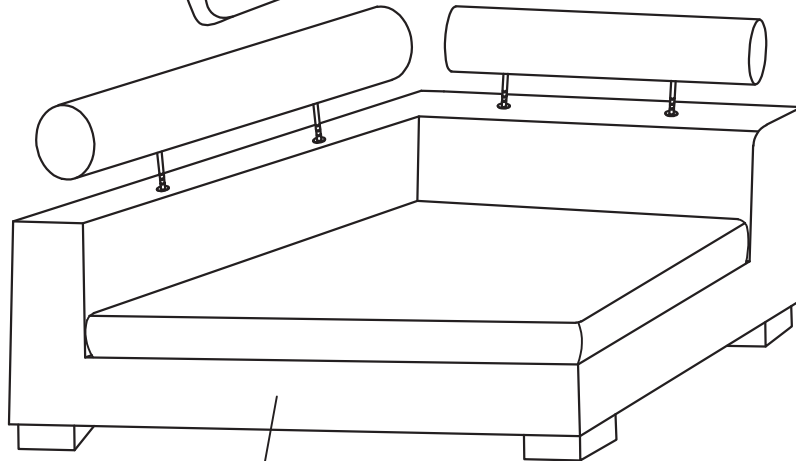
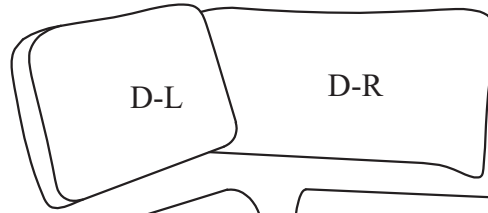
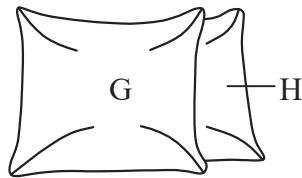


Step #3

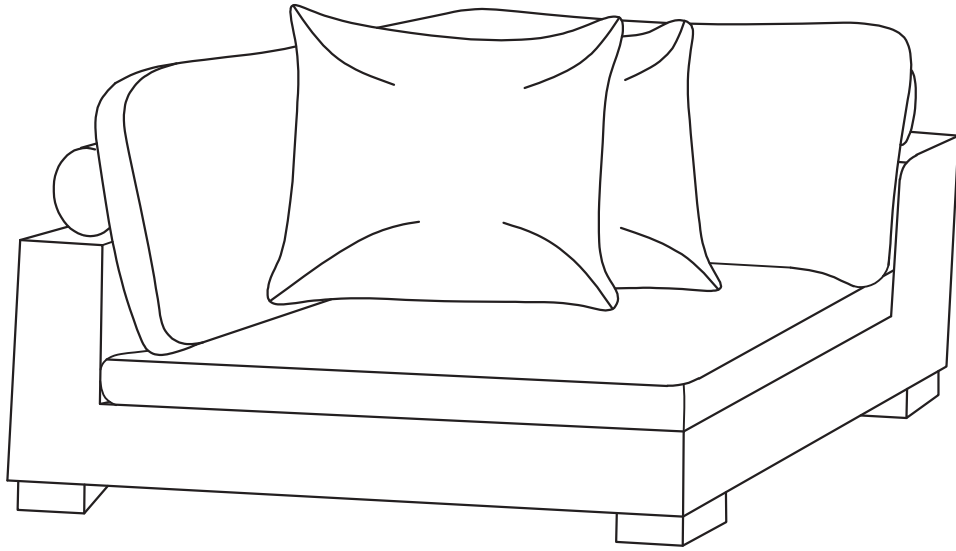
Note: Adjust head pillow height as desired.



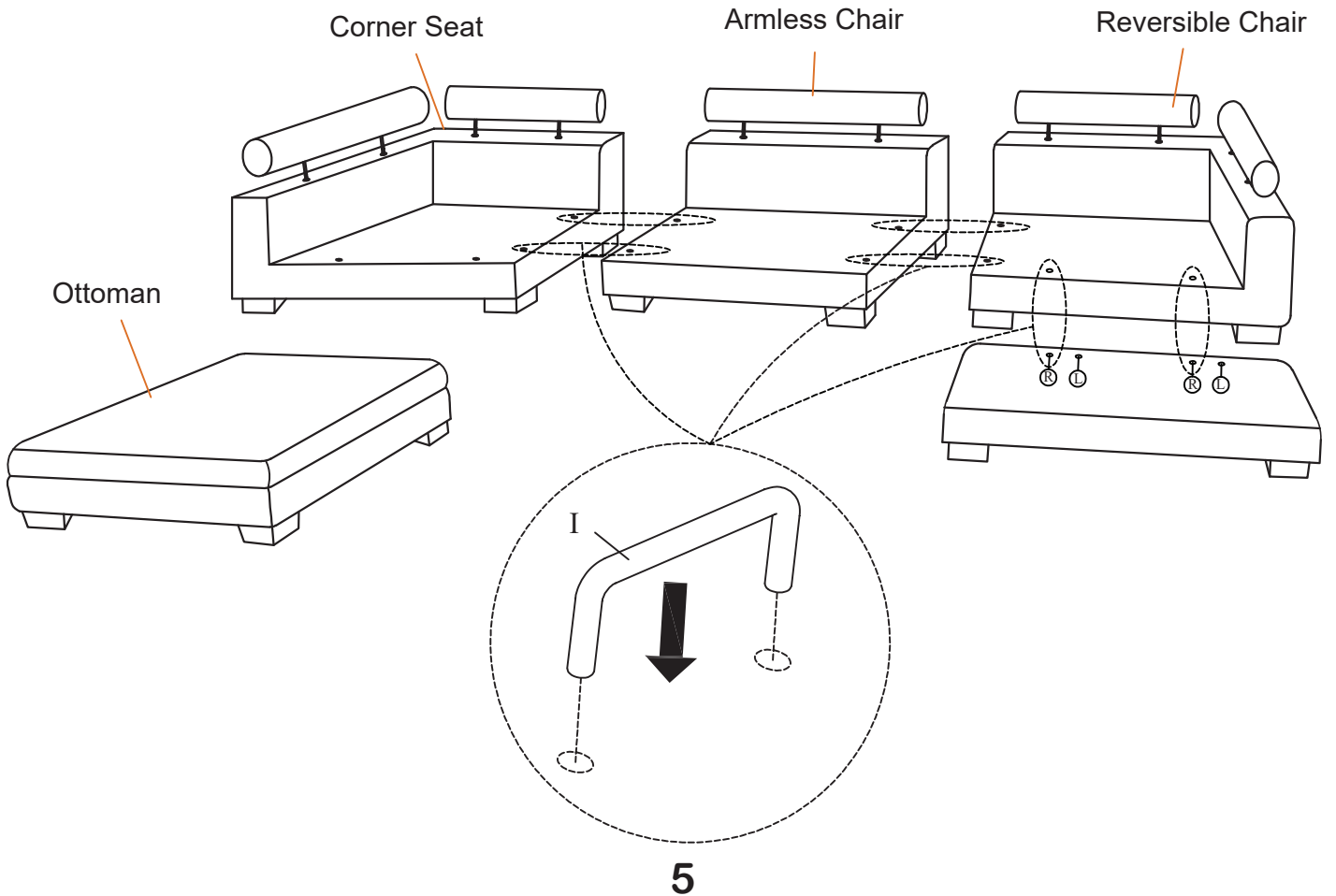
Step #4



Step #5

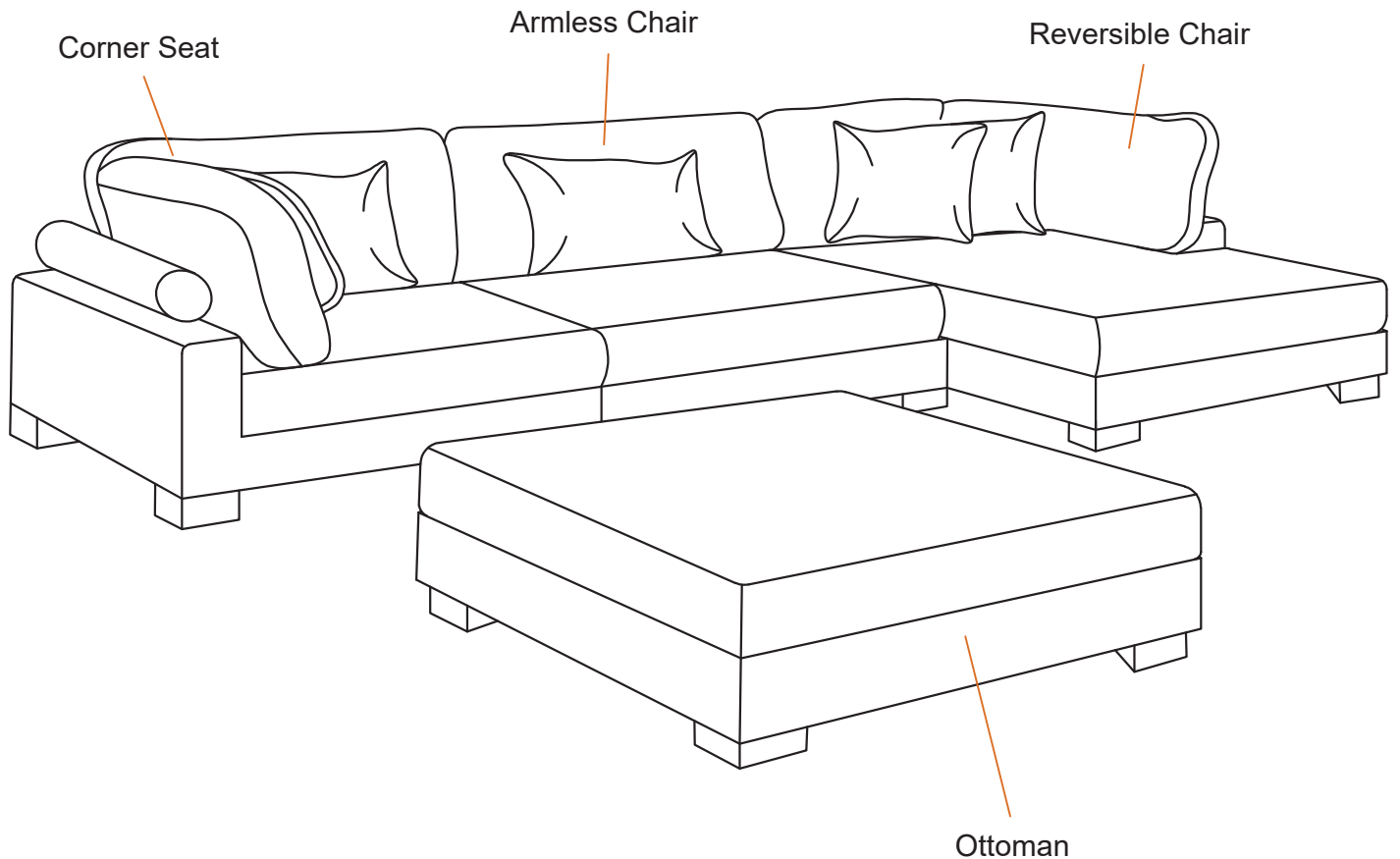


Step #6



## Step #7

Assembly completed.



## Care Instruction for Textured Microfiber Furniture:

In order to maintain the original appearance of your textured microfiber please follow below simple care procedures:

- Avoid exposing furniture directly to sunlight or heating and air conditioning outlets. Sunlight and/or exposure to heating and air conditioning outlets will fade/damage textured microfiber. Do not place your upholstered furniture too close to windows, radiators, or vents, and be sure to use windows, radiators, or vents.
- Vacuum or wipe with a soft cloth to remove dust.
- Hardware may loosen over time. Periodically check to make sure all connections are tight. Re-tighten if necessary.



For items use on wooden floor, hard surfaces or carpets, it is recommended to Install protective pads under all legs and supports to avoid/prevent from damages/scratches and discoloration.

# Assembly Instruction

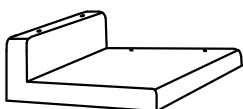




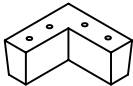
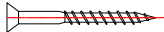
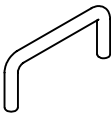
## Armless Chair



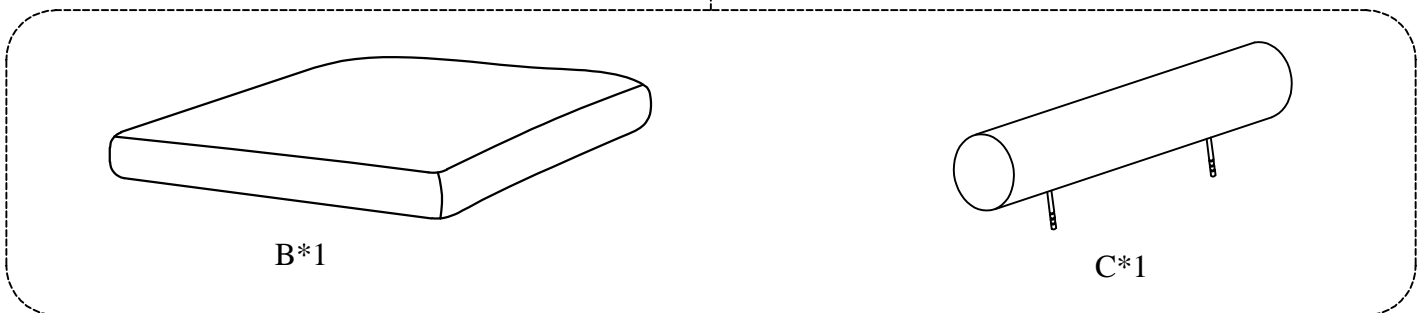
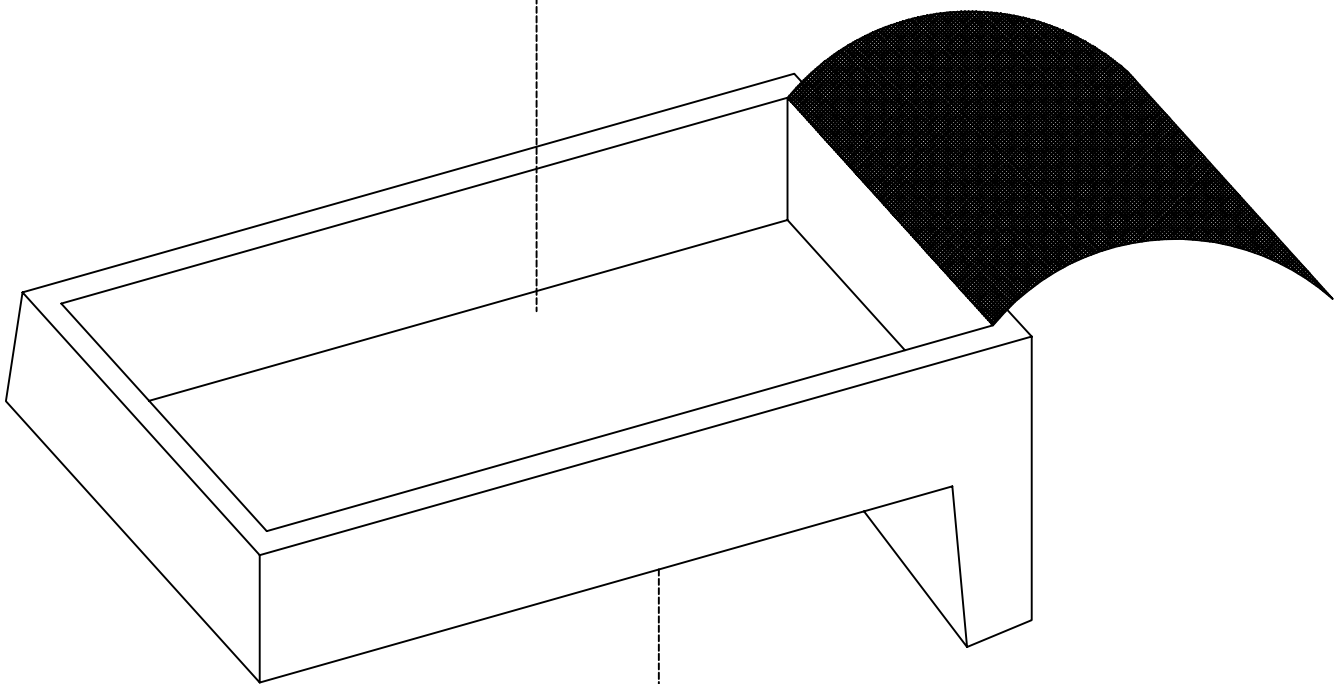
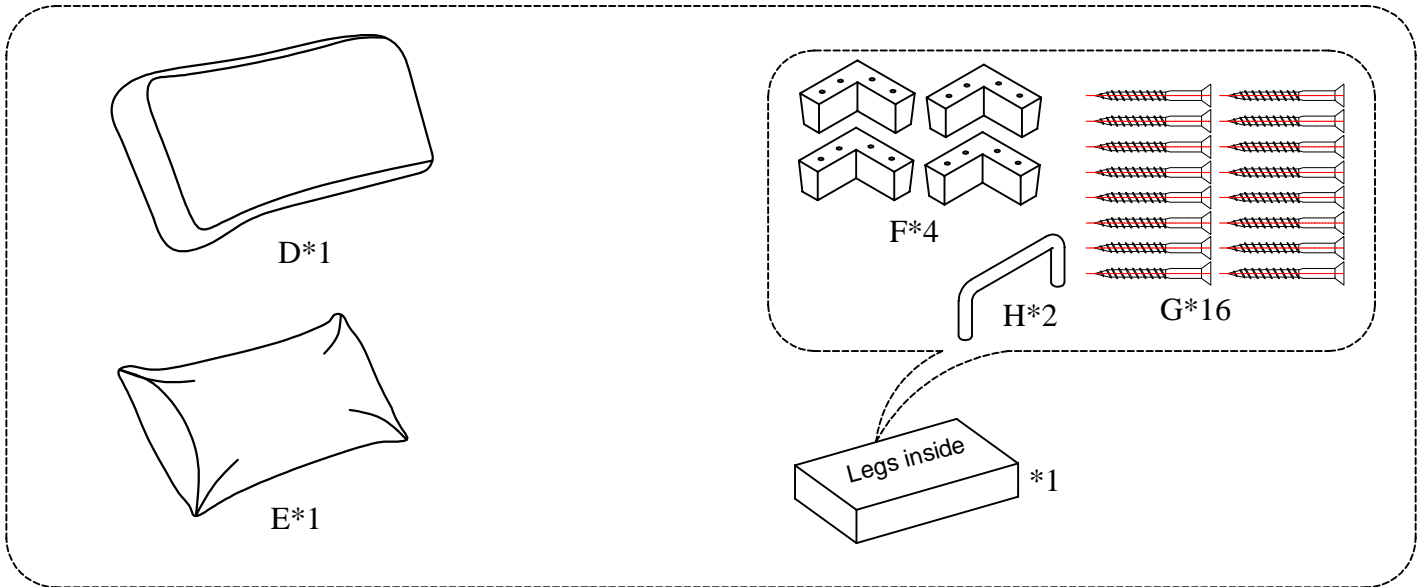
Legs & hardware are stored in the box, please take out the legs and hardware for assembly.

Note: Do not use power tools for assembly. Power tools increase the risk of over tightening which lead to splitting or cracking the wood.

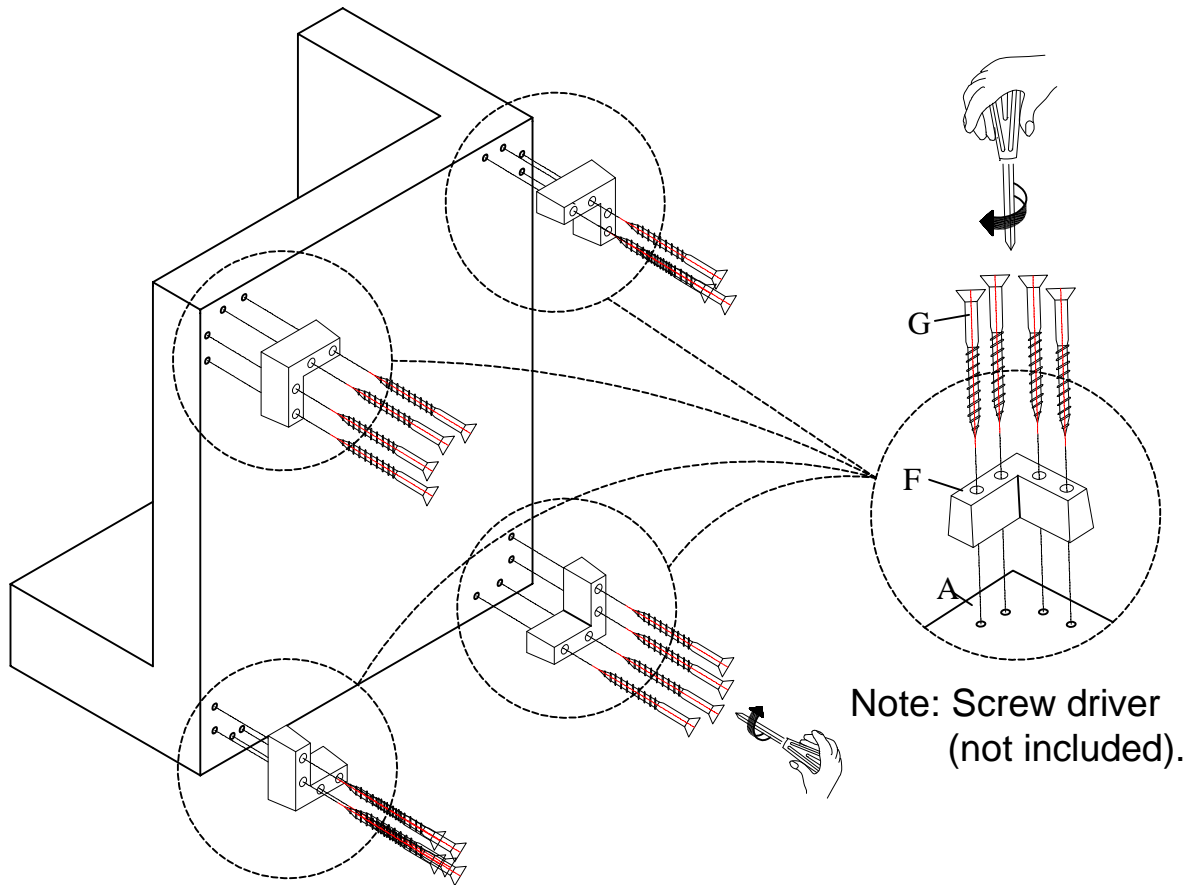
### Chair Component list

No	Drawing	Qty	Description
<b>A</b>		<b>1</b>	<b>SEAT</b>
<b>B</b>		<b>1</b>	<b>SEAT CUSHION</b>
<b>C</b>		<b>1</b>	<b>HEADREST</b>
<b>D</b>		<b>1</b>	<b>BACK CUSHION</b>
<b>E</b>		<b>1</b>	<b>RECTANGULAR PILLOW 680*400*120mm</b>
<b>F</b>		<b>4</b>	<b>PLASTIC LEG 10*150*70mm</b>
<b>G</b>		<b>16</b>	<b>SCREW M4*70mm</b>
<b>H</b>		<b>2</b>	<b>CONNECTION LOCK 78*50*40mm</b>

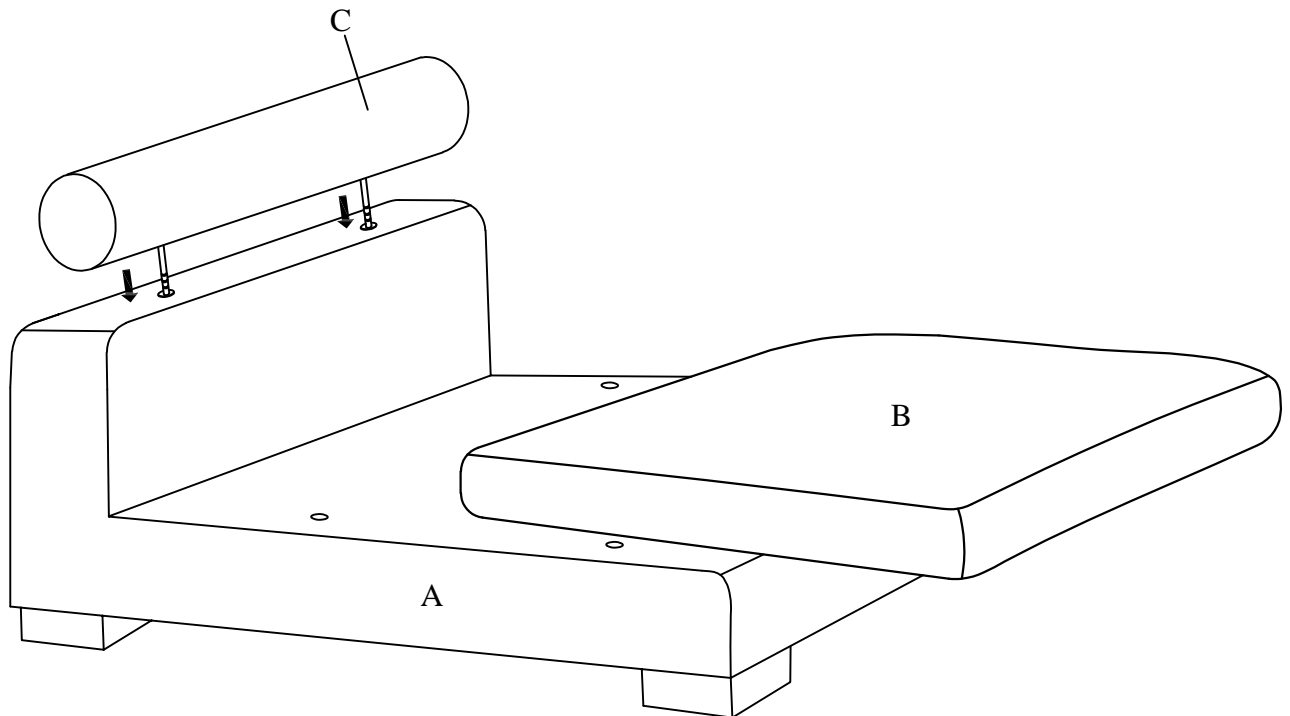
THE PARTS ARE LOCATED INSIDE THE BOX AS BELOW:



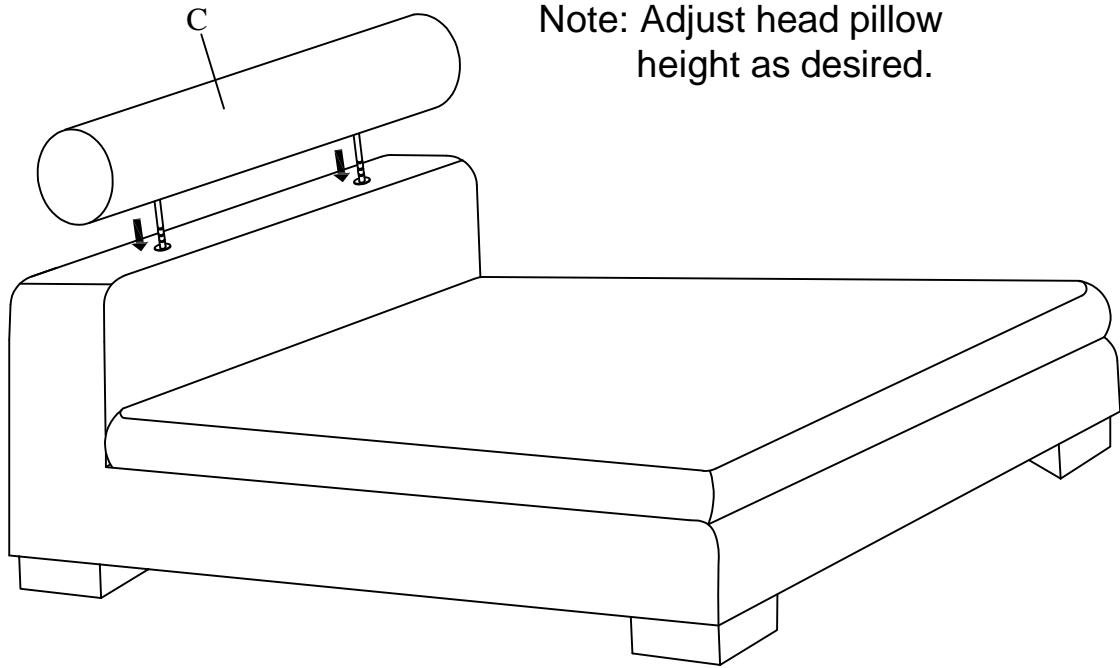
## Step #1



## Step #2

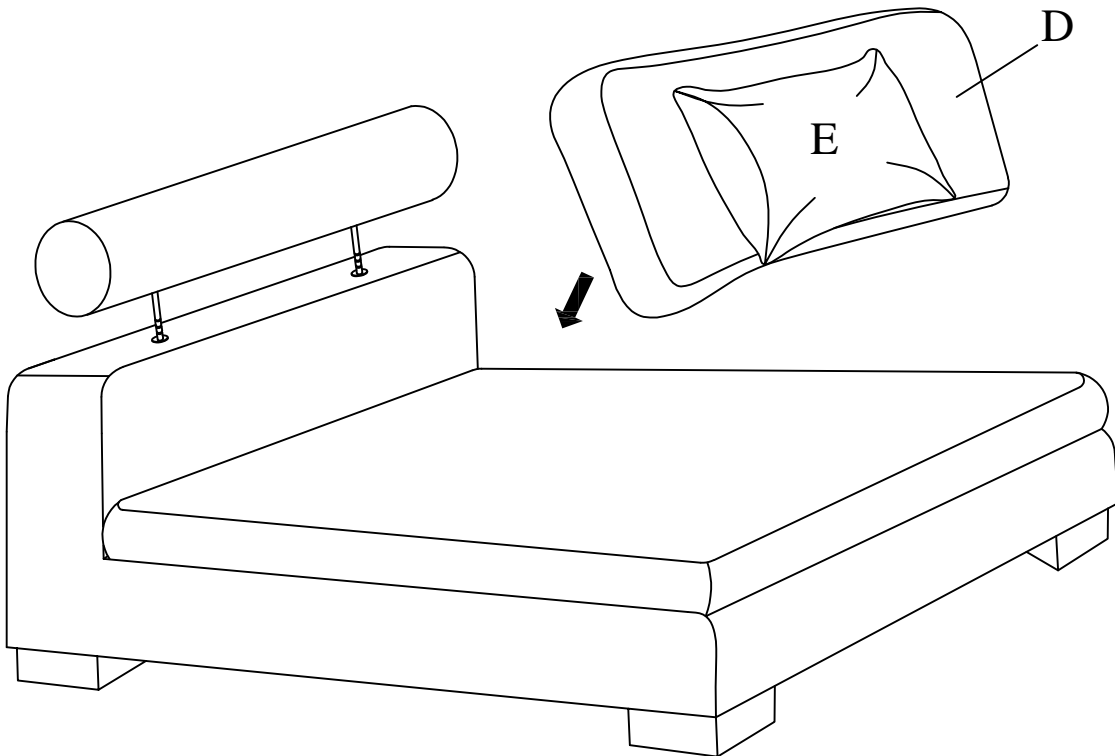


Step #3



Note: Adjust head pillow height as desired.

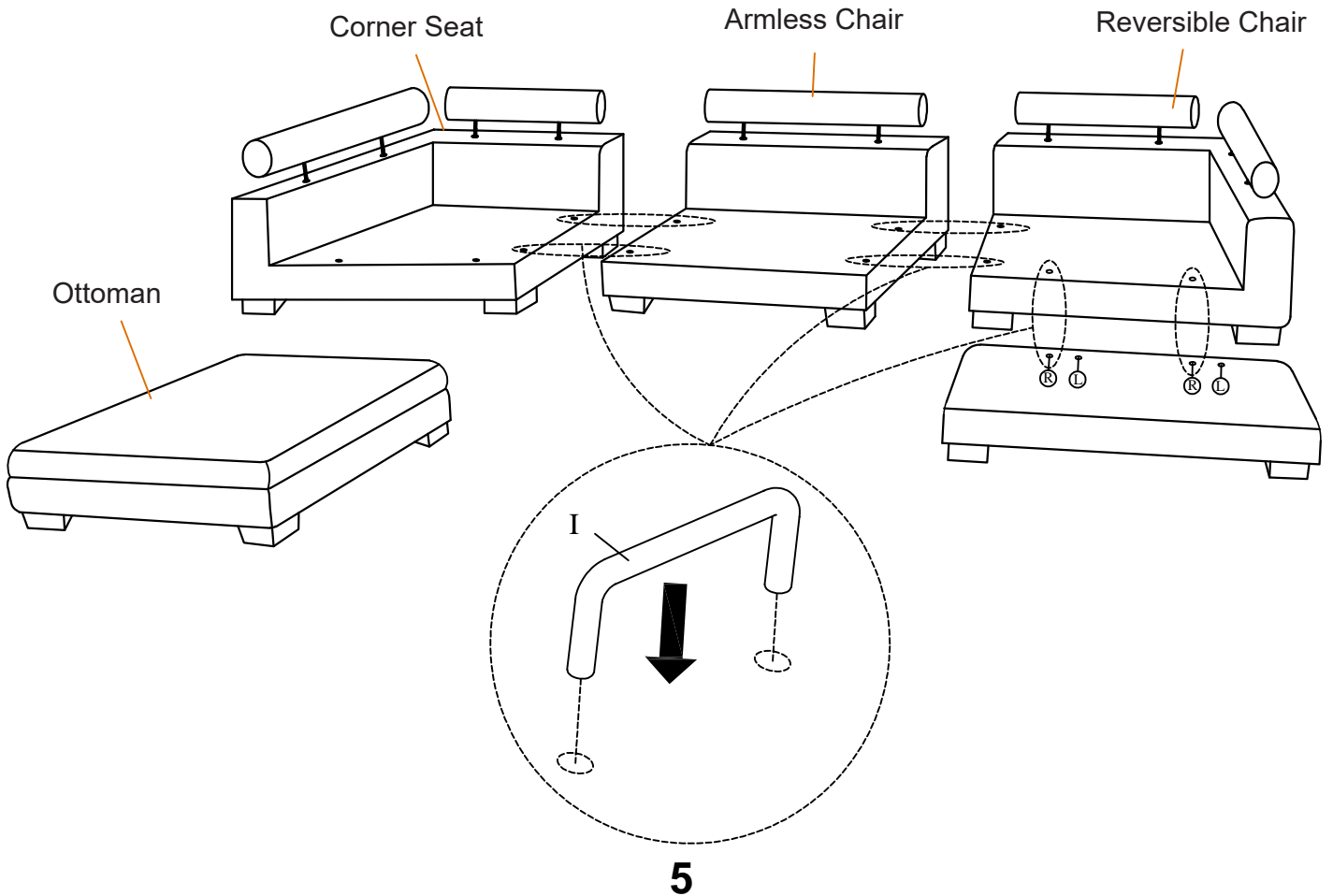
Step #4



Step #5

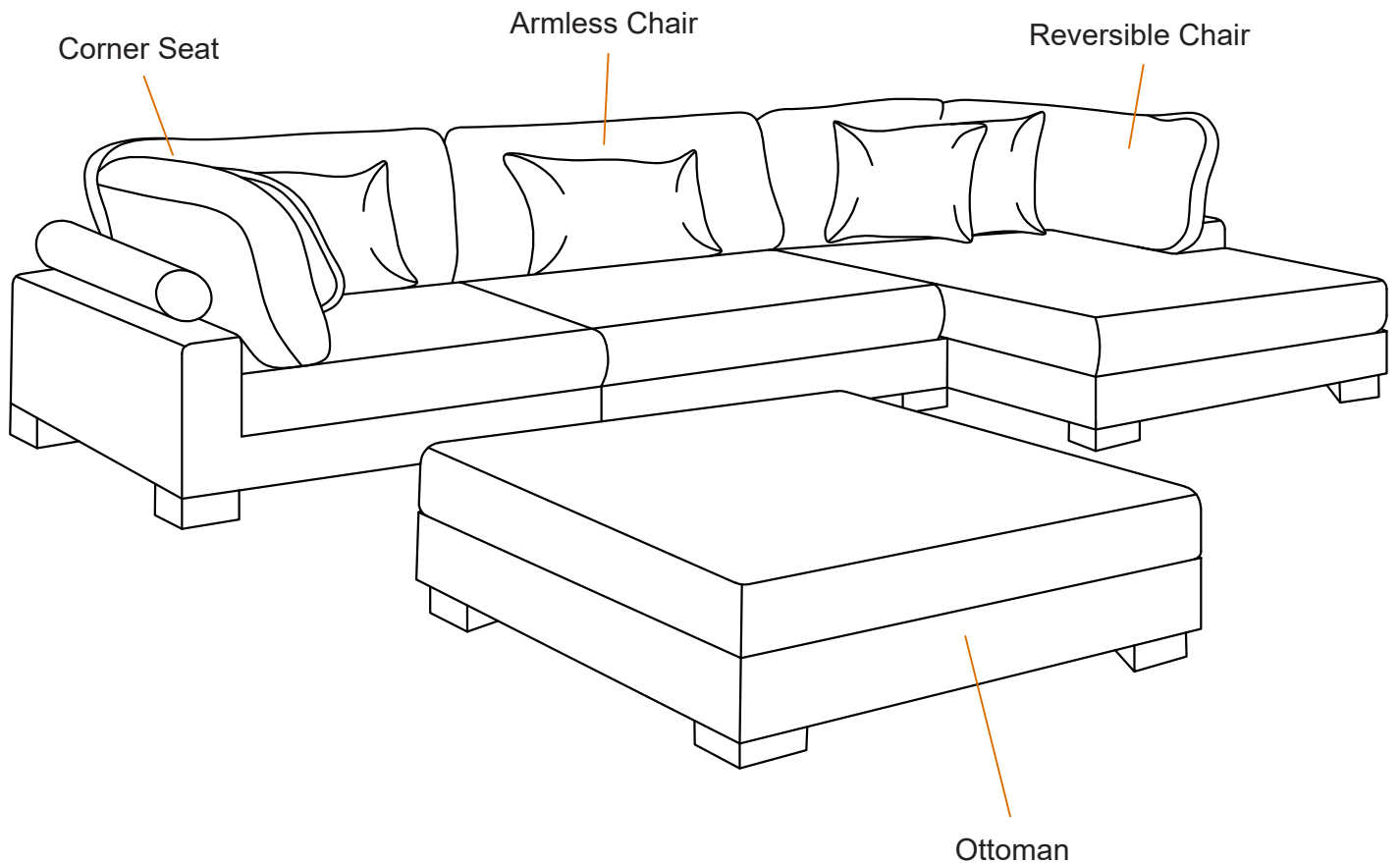


Step #6



## Step #7

Assembly completed.



## Care Instruction for Textured Microfiber Furniture:

In order to maintain the original appearance of your textured microfiber please follow below simple care procedures:

- Avoid exposing furniture directly to sunlight or heating and air conditioning outlets. Sunlight and/or exposure to heating and air conditioning outlets will fade/damage textured microfiber. Do not place your upholstered furniture too close to windows, radiators, or vents, and be sure to use windows, radiators, or vents.
- Vacuum or wipe with a soft cloth to remove dust.
- Hardware may loosen over time. Periodically check to make sure all connections are tight. Re-tighten if necessary.



For items use on wooden floor, hard surfaces or carpets, it is recommended to Install protective pads under all legs and supports to avoid/prevent from damages/scratches and discoloration.

# Assembly Instruction

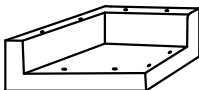




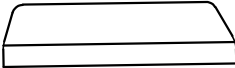
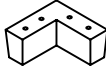
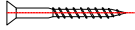


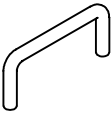
## Reversible Chaise



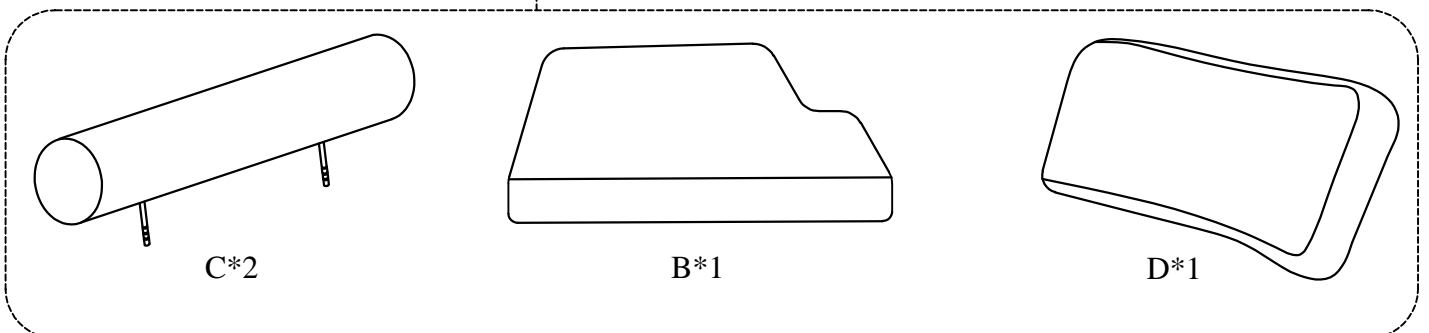
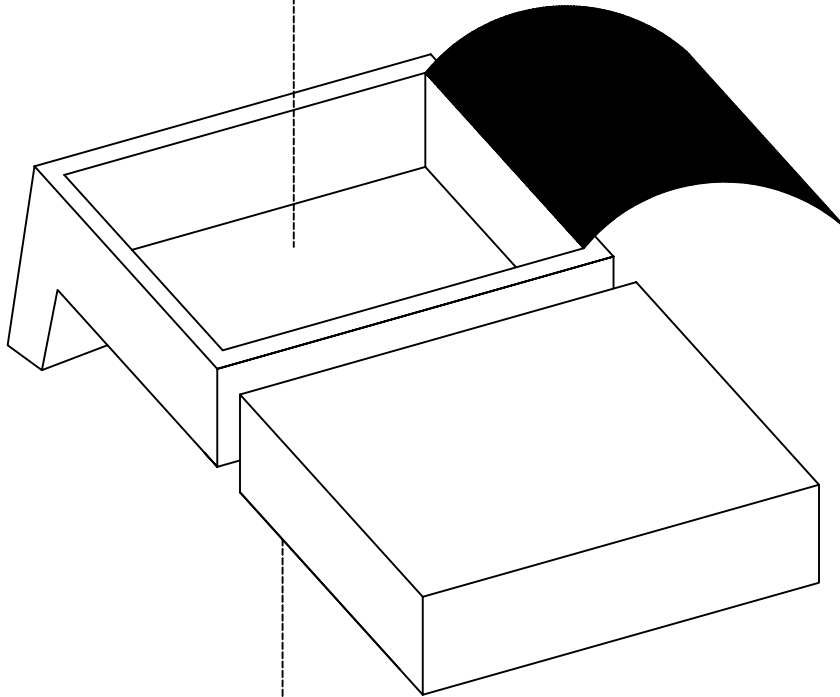
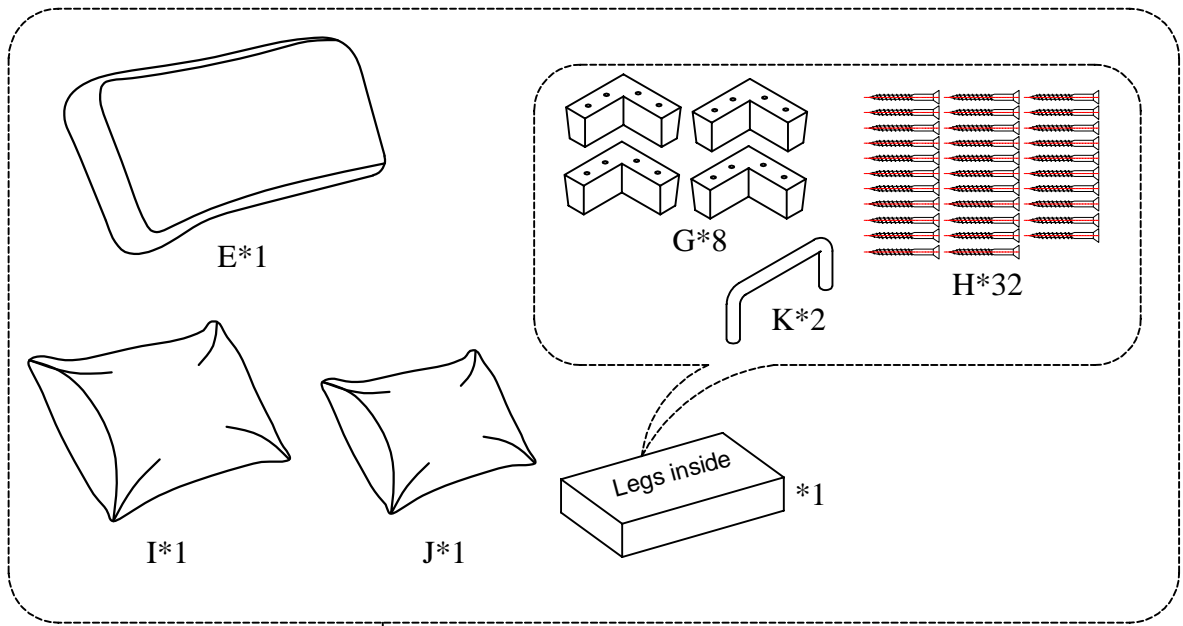
Legs & hardware are stored in the box, please take out the legs and hardware for assembly.

Note: Do not use power tools for assembly. Power tools increase the risk of over tightening which lead to splitting or cracking the wood.

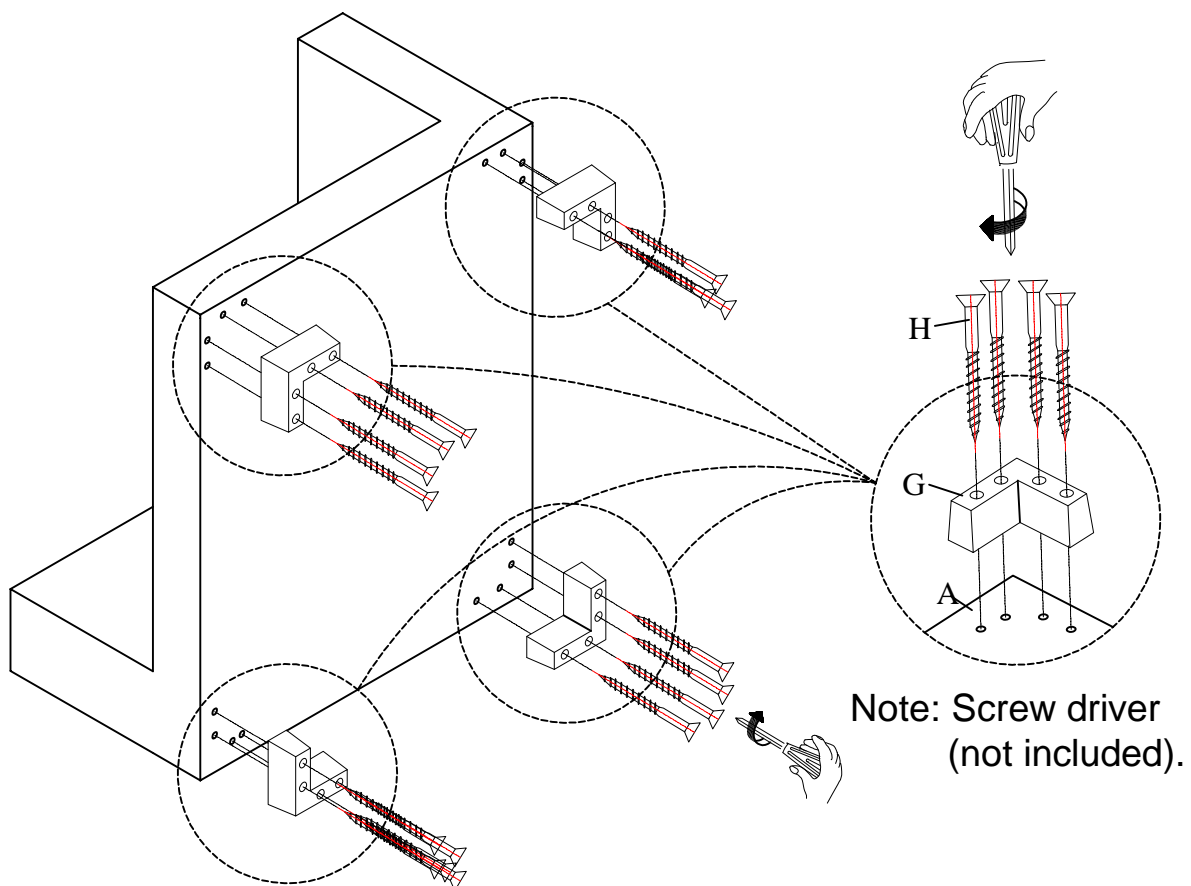
### Chair Component list

No	Drawing	Qty	Description
<b>A</b>		<b>1</b>	<b>SEAT</b>
<b>B</b>		<b>1</b>	<b>SEAT CUSHION</b>
<b>C</b>		<b>2</b>	<b>HEADREST</b>
<b>D</b>		<b>1</b>	<b>LONG BACK CUSHION</b>
<b>E</b>		<b>1</b>	<b>SHORT SIDE CUSHION</b>
<b>F</b>		<b>1</b>	<b>OTTOMAN</b>
<b>G</b>		<b>8</b>	<b>PLASTIC LEG 150*150*70mm</b>
<b>H</b>		<b>32</b>	<b>SCREW M4*70mm</b>
<b>I</b>		<b>1</b>	<b>SQUARE PILLOW 550*550*120mm</b>
<b>J</b>		<b>1</b>	<b>SQUARE PILLOW 480*480*120mm</b>
<b>K</b>		<b>2</b>	<b>CONNECTION LOCK 78*50*40mm</b>

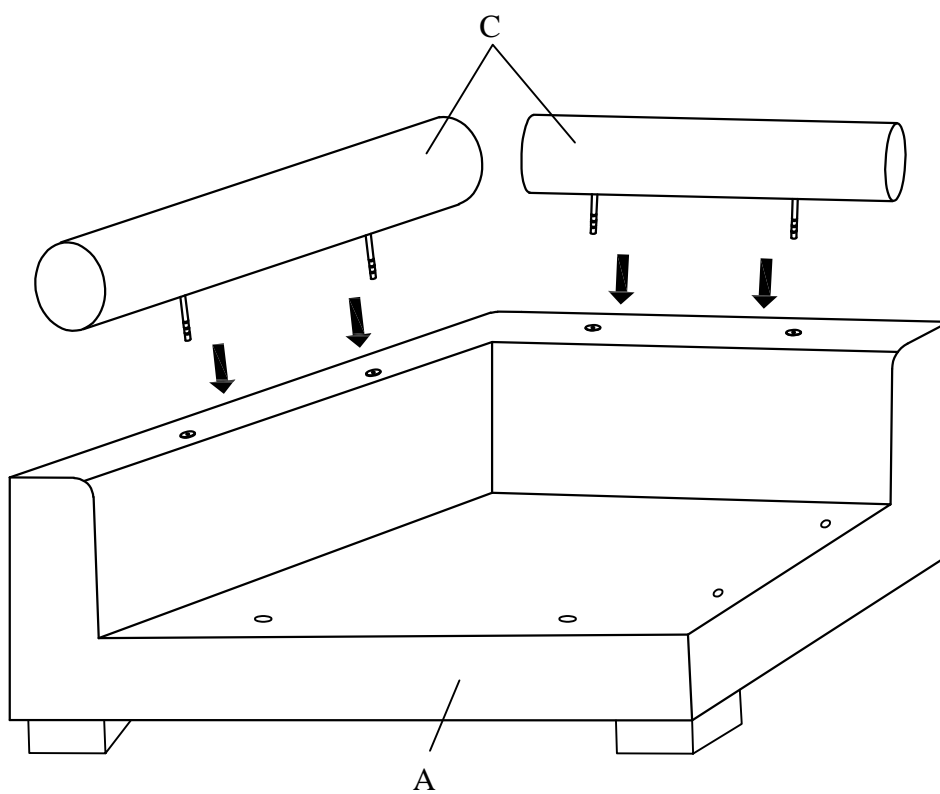
# THE PARTS ARE LOCATED INSIDE THE BOX AS BELOW:



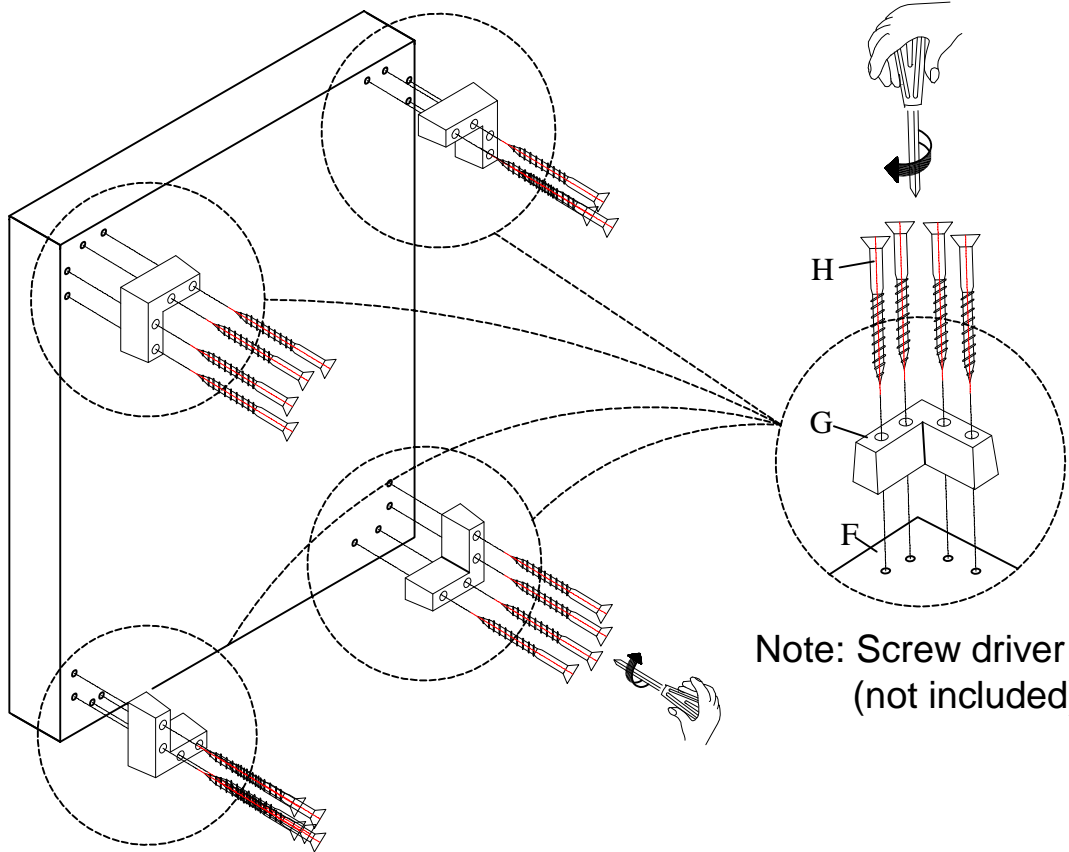
## Step #1



## Step #2



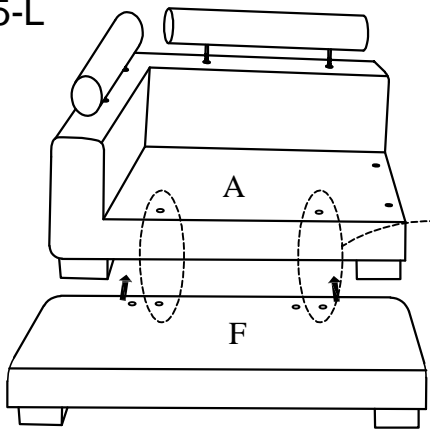
### Step #3



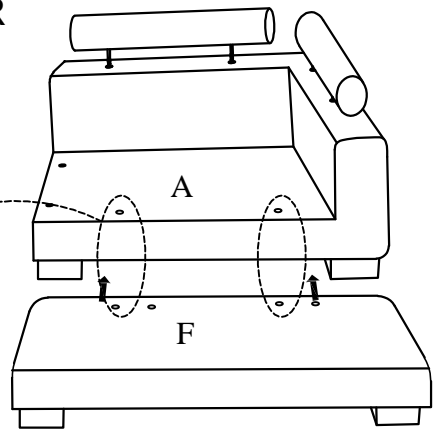
### Step #4



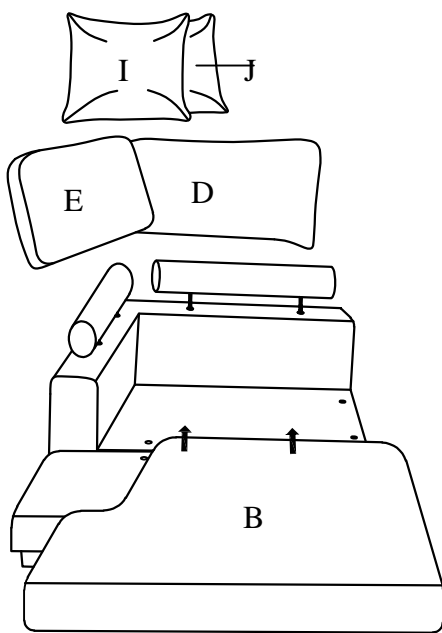
Step #5-L



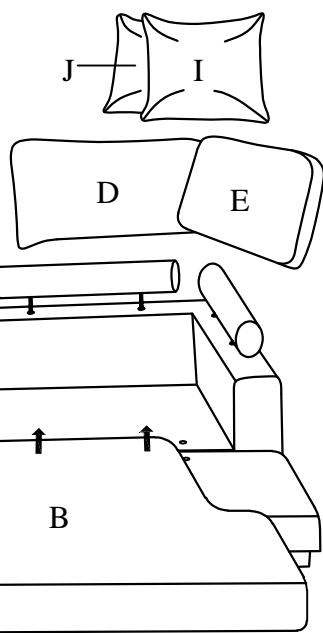
Step #5-R



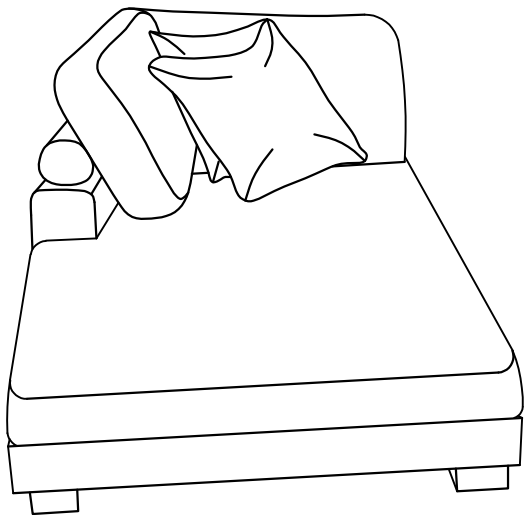
Step #6-L



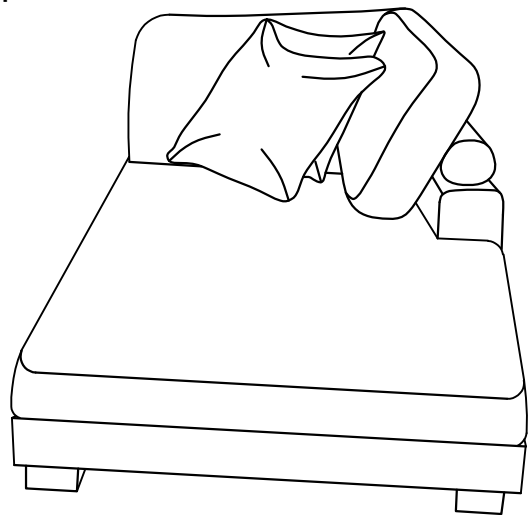
Step #6-R



Step #7-L



Step #7-R



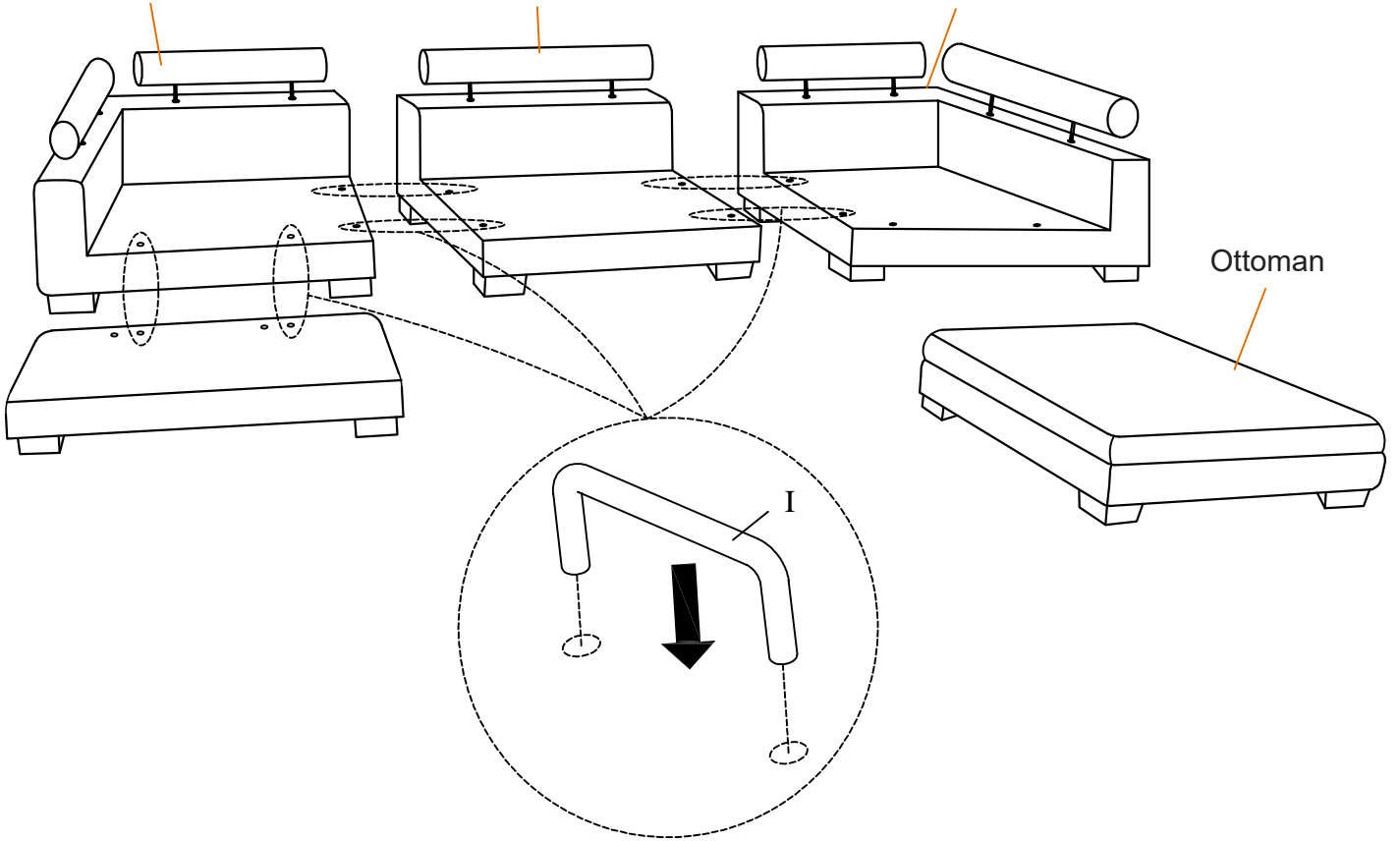
### Step #8-L

Reversible Chair

Armless Chair

Corner Seat

Ottoman



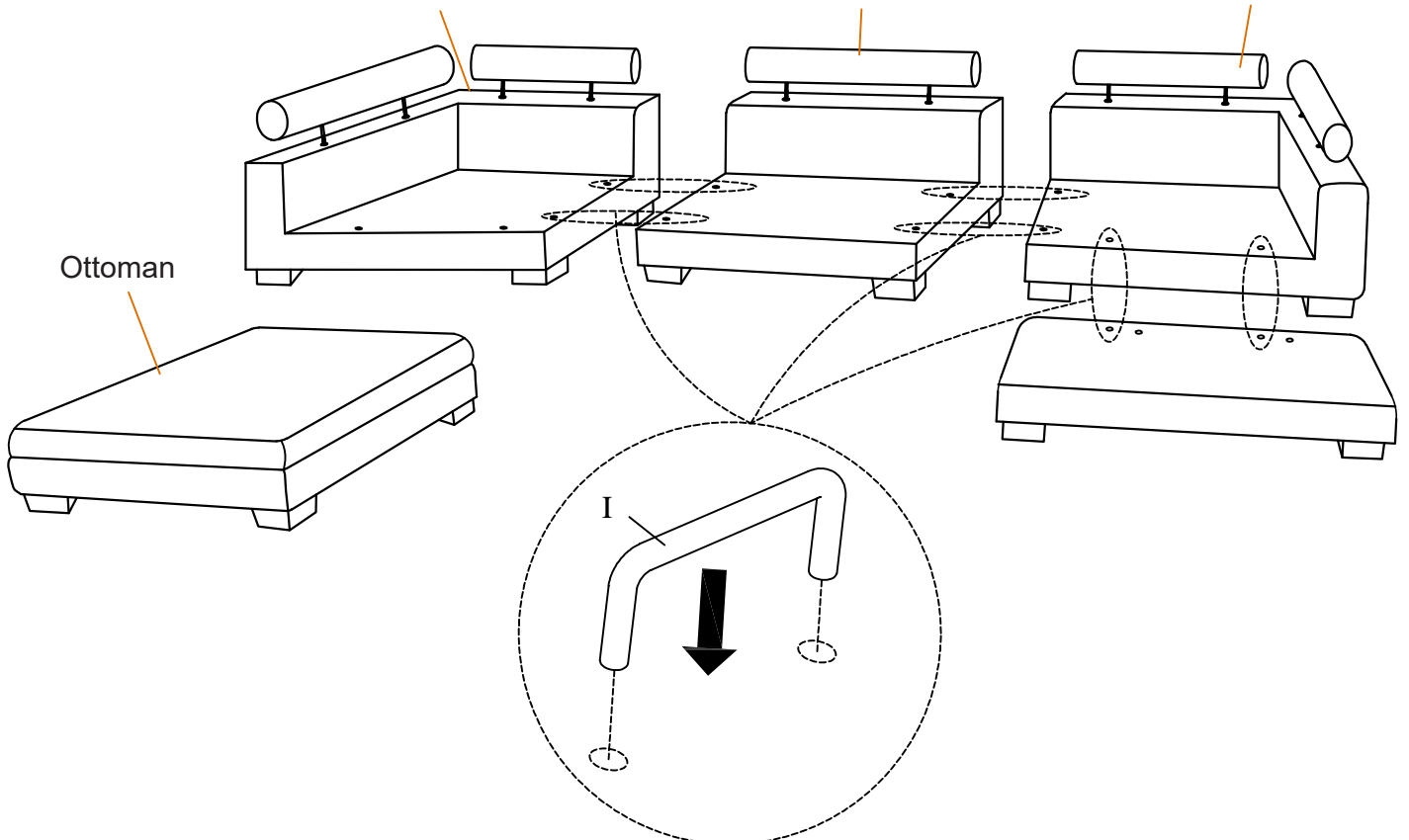
### Step #8-R

Corner Seat

Armless Chair

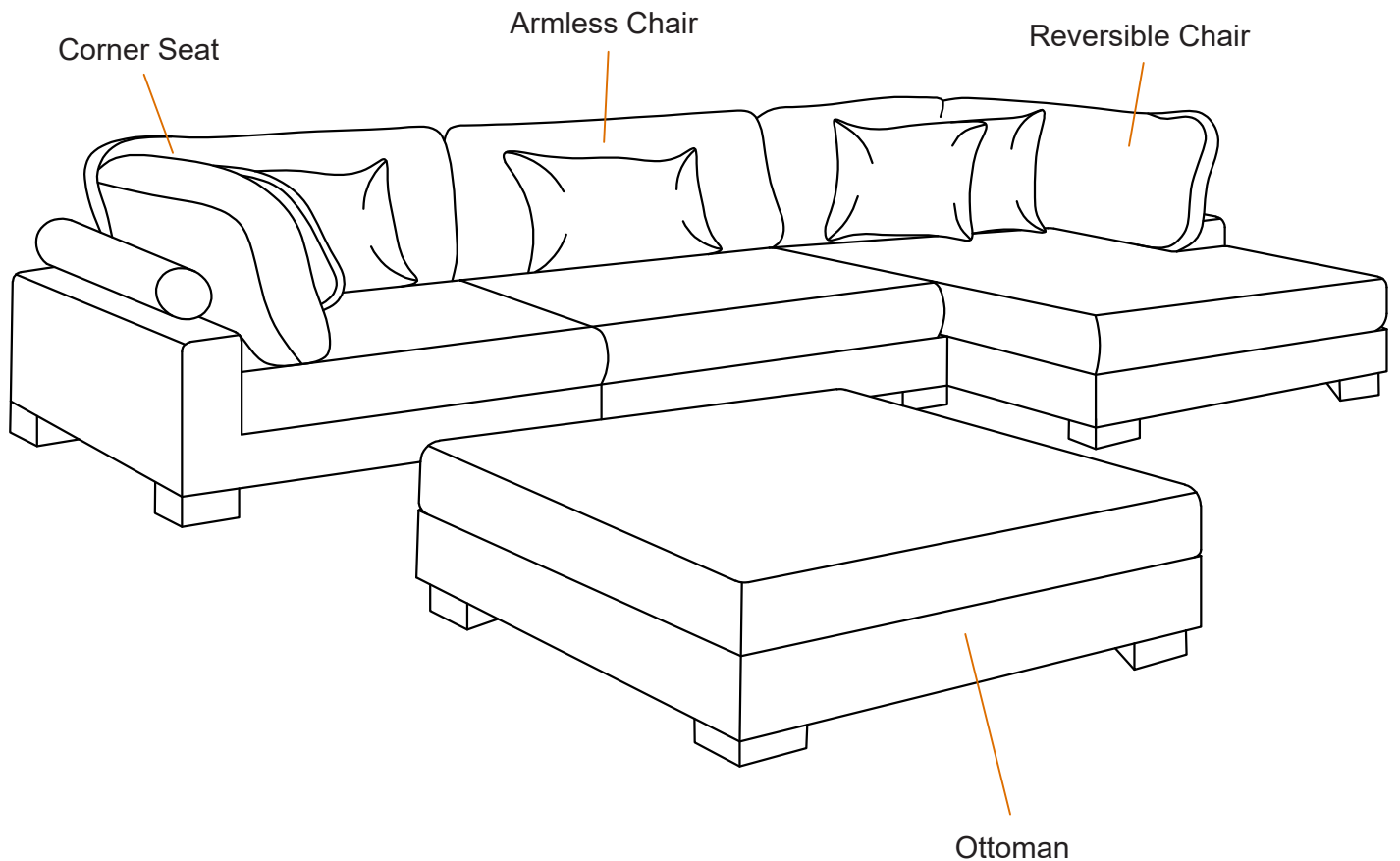
Reversible Chair

Ottoman



## Step #9

Assembly completed.



## Care Instruction for Textured Microfiber Furniture:

In order to maintain the original appearance of your textured microfiber please follow below simple care procedures:

- Avoid exposing furniture directly to sunlight or heating and air conditioning outlets. Sunlight and/or exposure to heating and air conditioning outlets will fade/damage textured microfiber. Do not place your upholstered furniture too close to windows, radiators, or vents, and be sure to use windows, radiators, or vents.
- Vacuum or wipe with a soft cloth to remove dust.
- Hardware may loosen over time. Periodically check to make sure all connections are tight. Re-tighten if necessary.



For items use on wooden floor, hard surfaces or carpets, it is recommended to Install protective pads under all legs and supports to avoid/prevent from damages/scratches and discoloration.

# Assembly Instruction

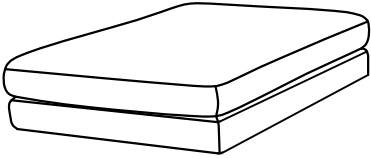
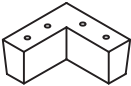
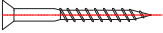
## Ottoman



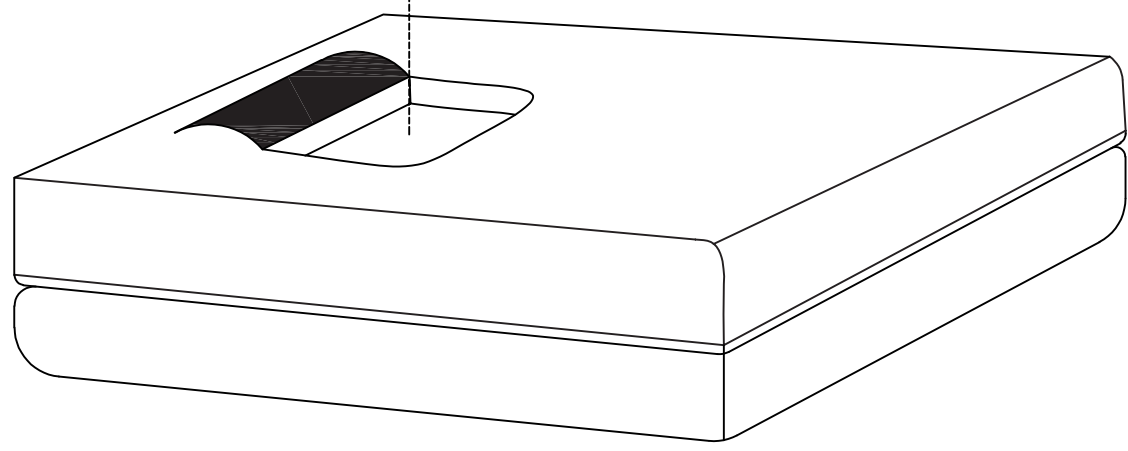
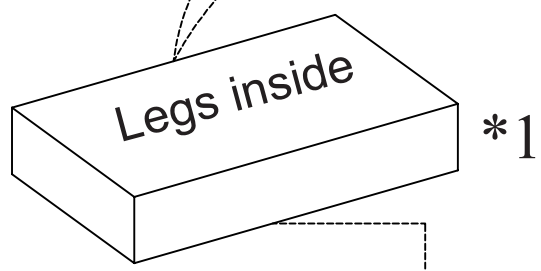
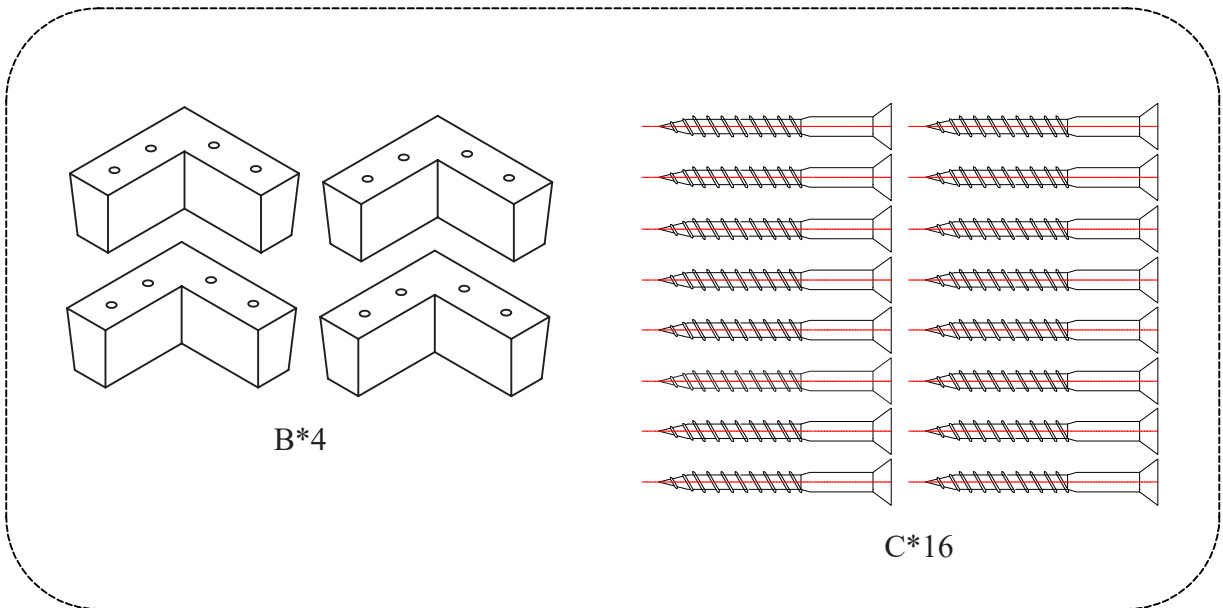
Legs & hardware are stored in the box, please take out the legs and hardware for assembly.

Note: Do not use power tools for assembly. Power tools increase the risk of over tightening which lead to splitting or cracking the wood.

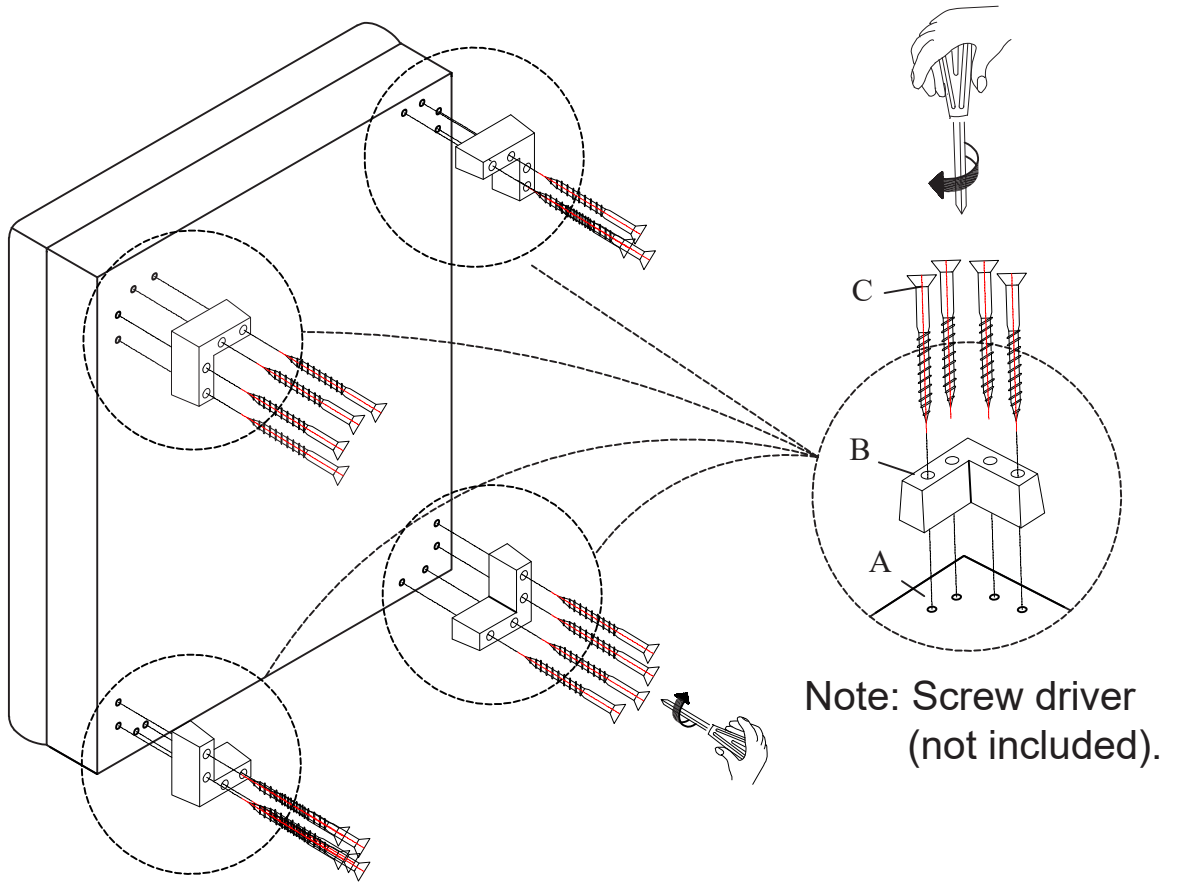
### Chair Component list

No	Drawing	Qty	Description
<b>A</b>		<b>1</b>	<b>SEAT</b>
<b>B</b>		<b>4</b>	<b>PLASTIC LEG 150*150*70mm</b>
<b>C</b>		<b>16</b>	<b>SCREW M4*70mm</b>

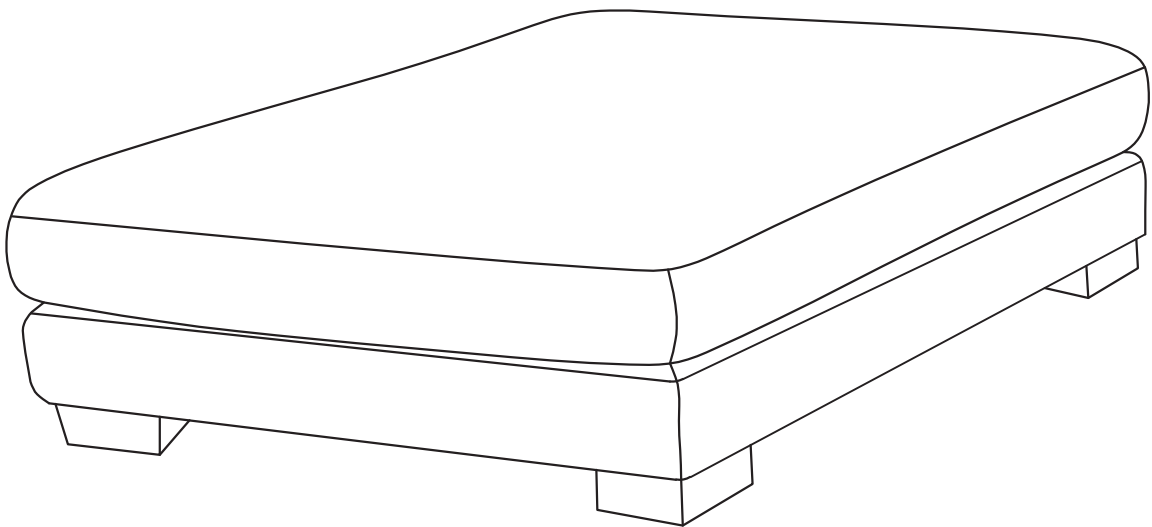
THE PARTS ARE LOCATED INSIDE THE BOX AS BELOW:



## Step #1

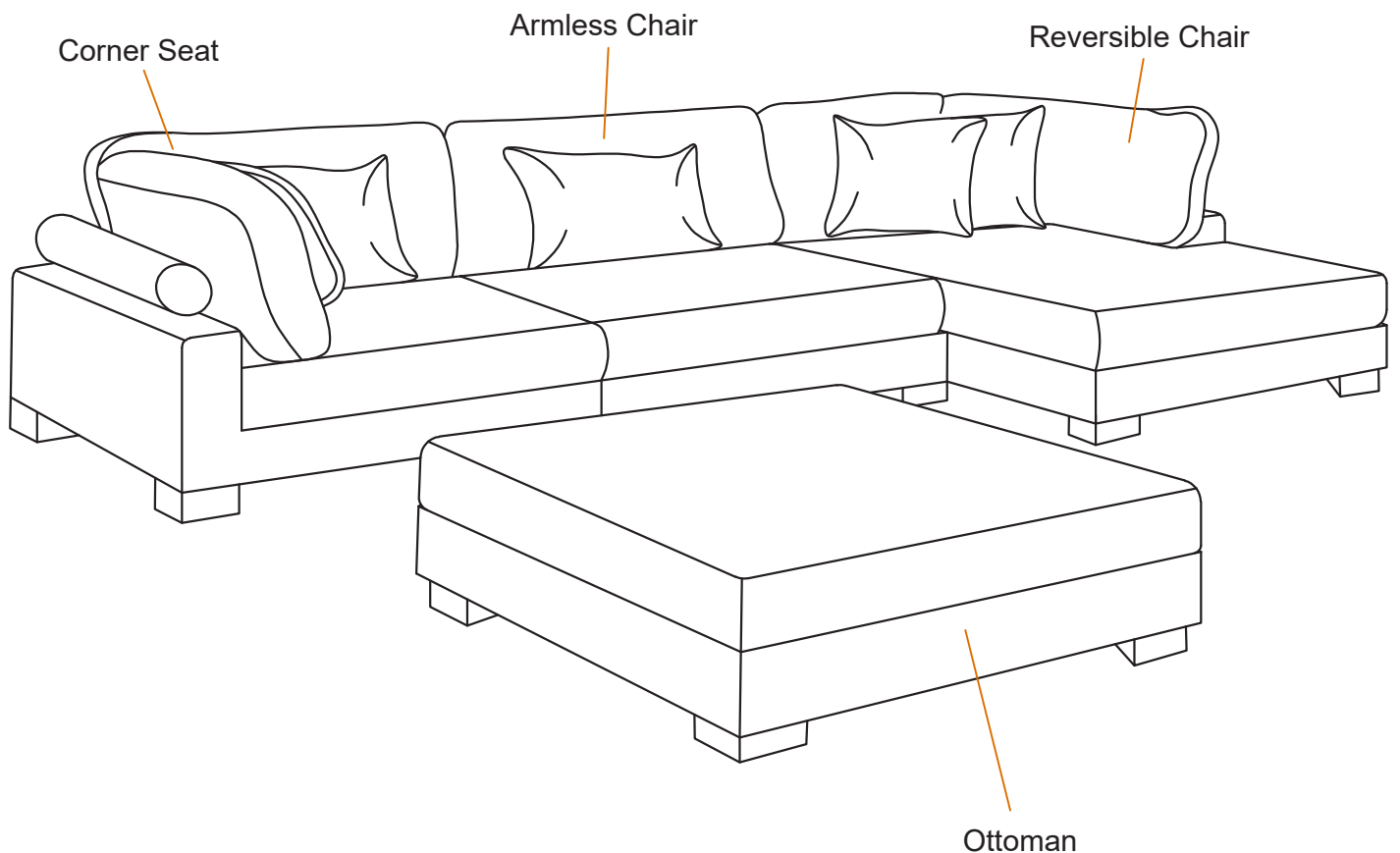


## Step #2



## Step #7

Assembly completed.



## Care Instruction for Textured Microfiber Furniture:

In order to maintain the original appearance of your textured microfiber please follow below simple care procedures:

- Avoid exposing furniture directly to sunlight or heating and air conditioning outlets. Sunlight and/or exposure to heating and air conditioning outlets will fade/damage textured microfiber. Do not place your upholstered furniture too close to windows, radiators, or vents, and be sure to use windows, radiators, or vents.
- Vacuum or wipe with a soft cloth to remove dust.
- Hardware may loosen over time. Periodically check to make sure all connections are tight. Re-tighten if necessary.



For items use on wooden floor, hard surfaces or carpets, it is recommended to Install protective pads under all legs and supports to avoid/prevent from damages/scratches and discoloration.