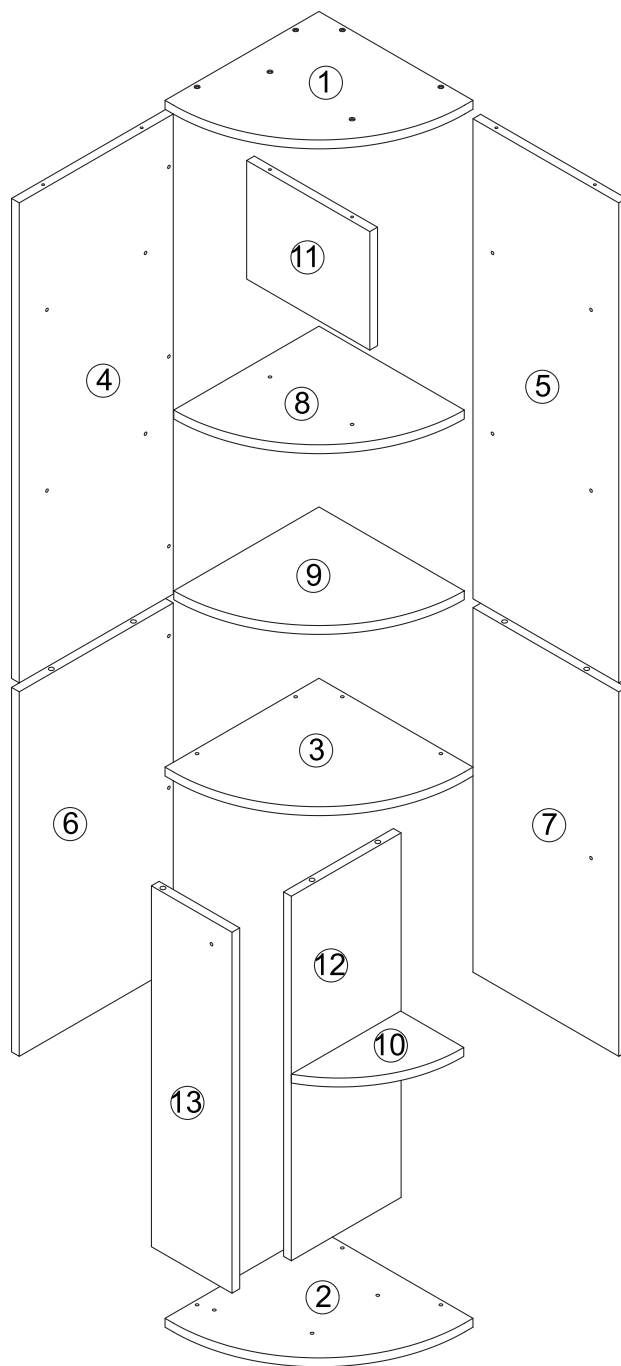


READ AND SAVE THIS INSTRUCTIONS FOR FUTURE USE

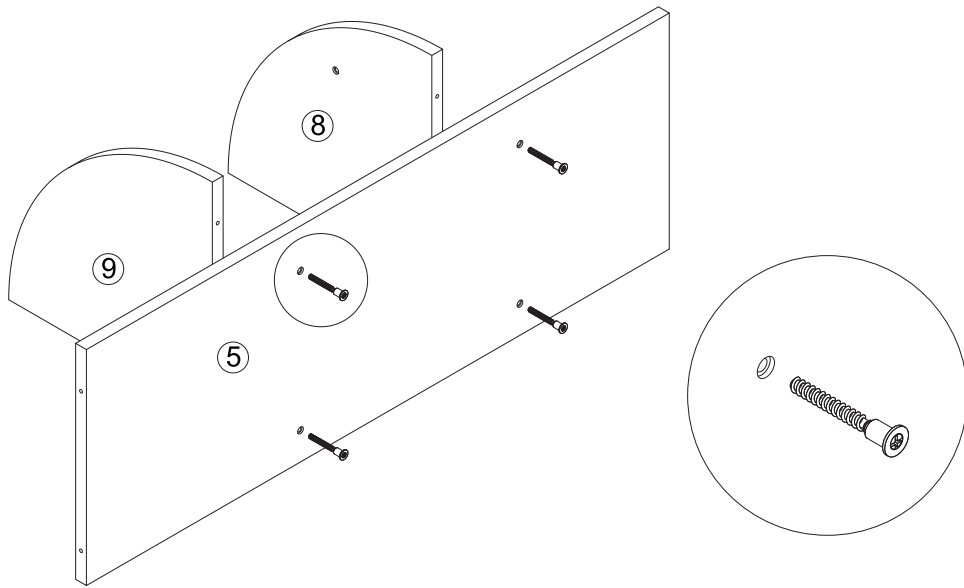
ASSEMBLY & INSTRUCTION MANUAL



<p>A x 6</p>	<p>B x 35</p> <p>M5*40</p>	<p>C x 35</p> <p>M15</p>	<p>D x 5</p>	<p>E x 2</p>	
<p>F x 1</p> <p>M4*18</p>	<p>G x 4</p> <p>M3*14</p>	<p>H1 x 1</p>	<p>H2 x 1</p> <p>M20</p>	<p>I x 6</p>	<p>J x 2</p>

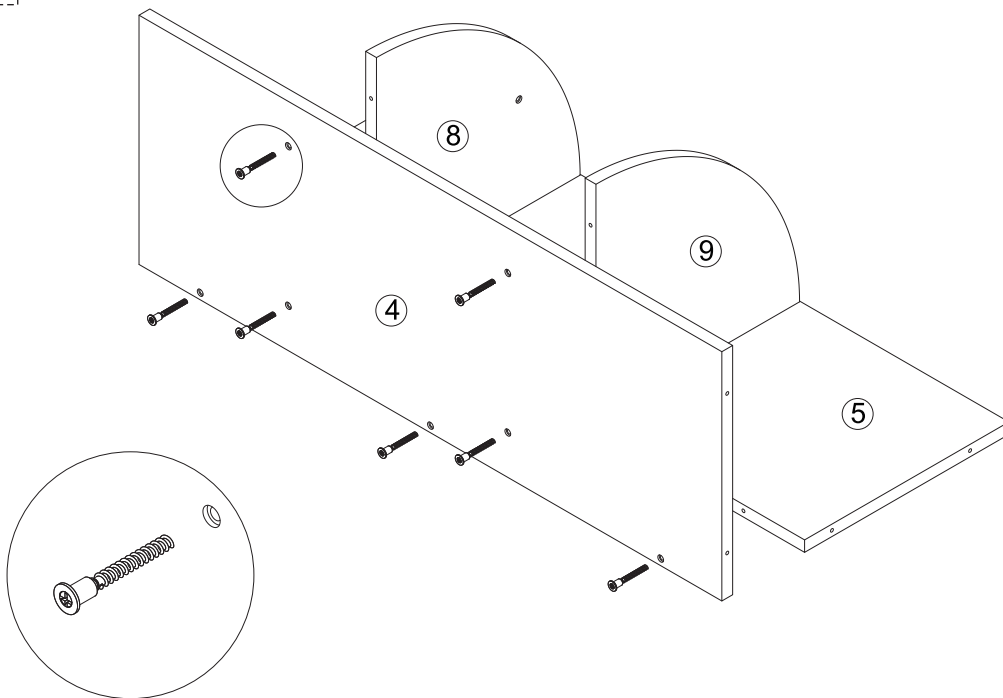
B x 4

M5*40



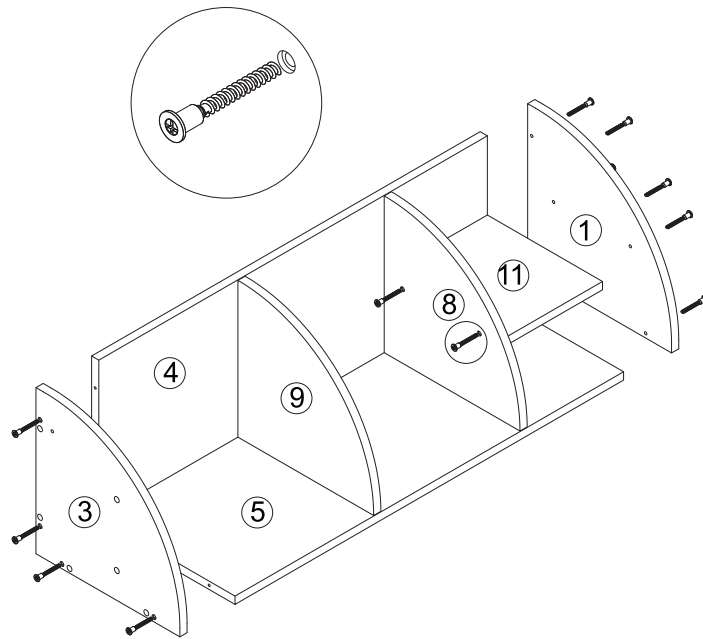
B x 7

M5*40



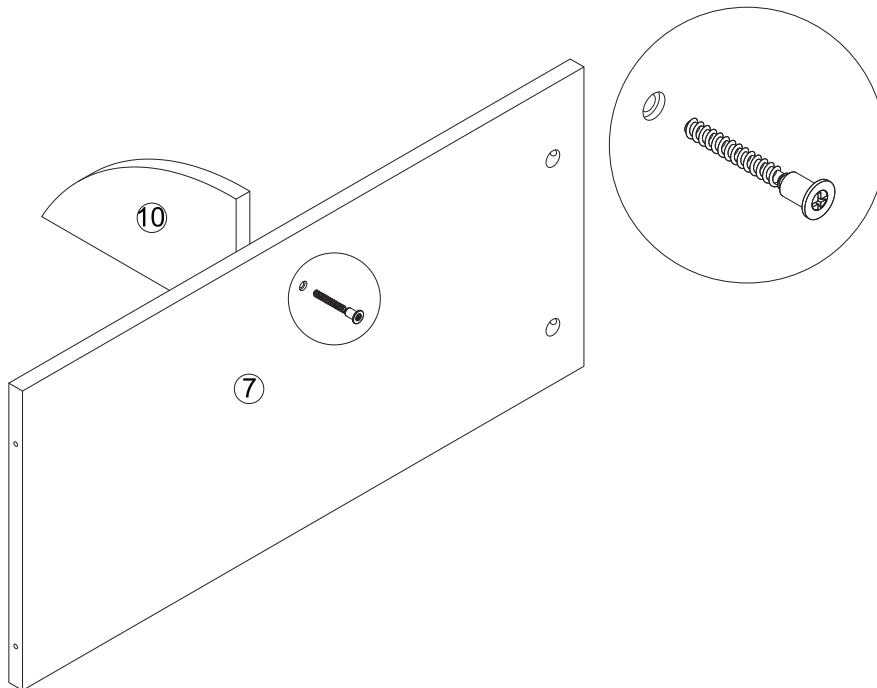
B x 12

M5*40



B x 1

M5*40

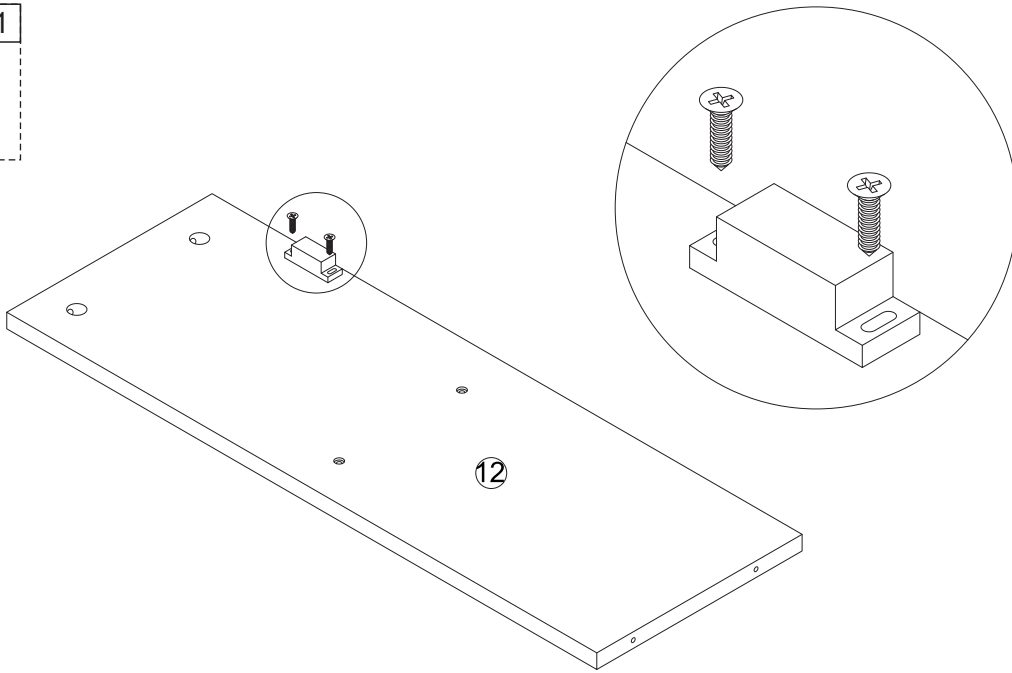


Gx2



M3*14

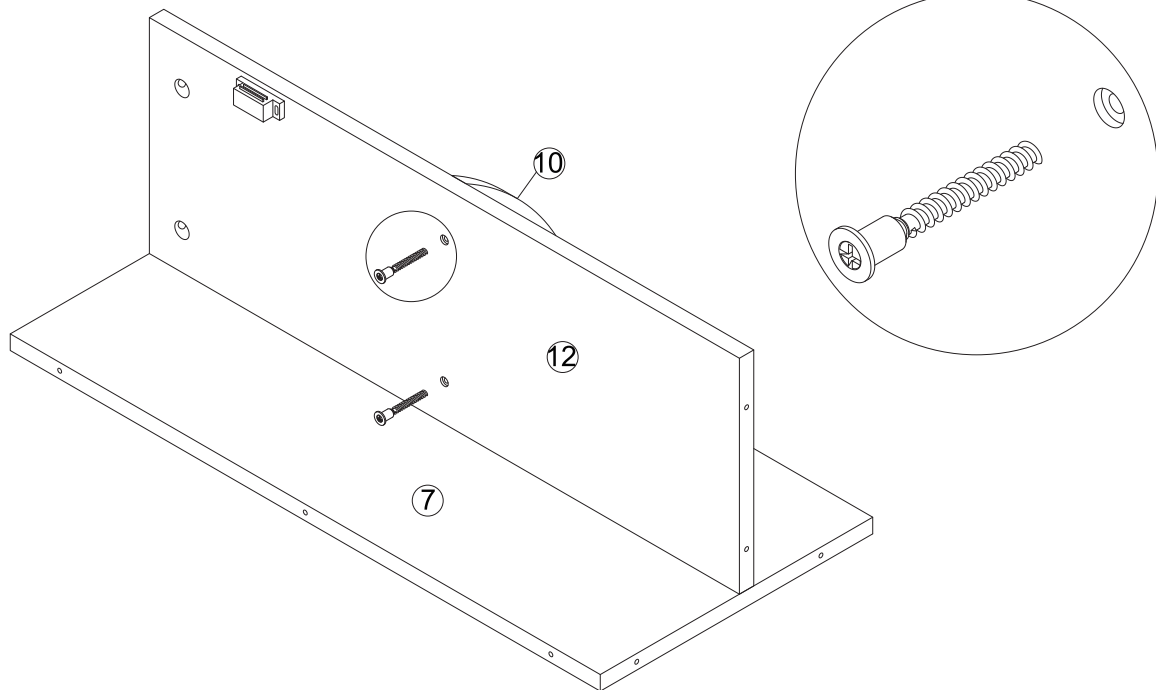
H1x1



Bx2

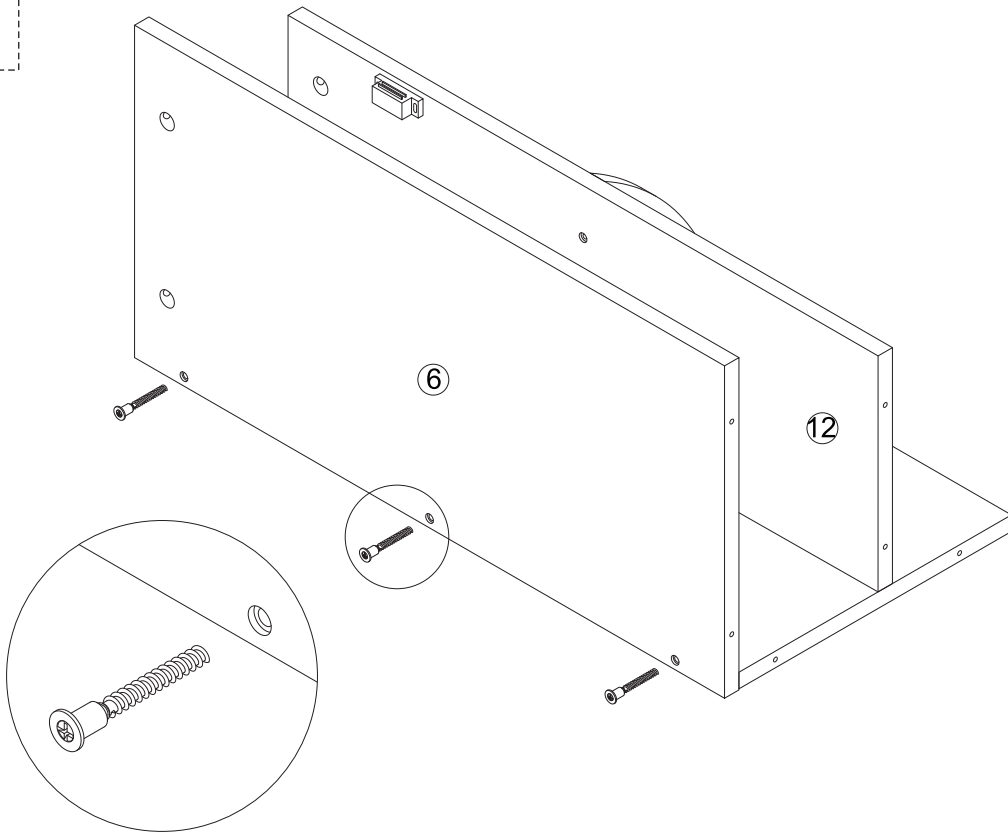


M5*40



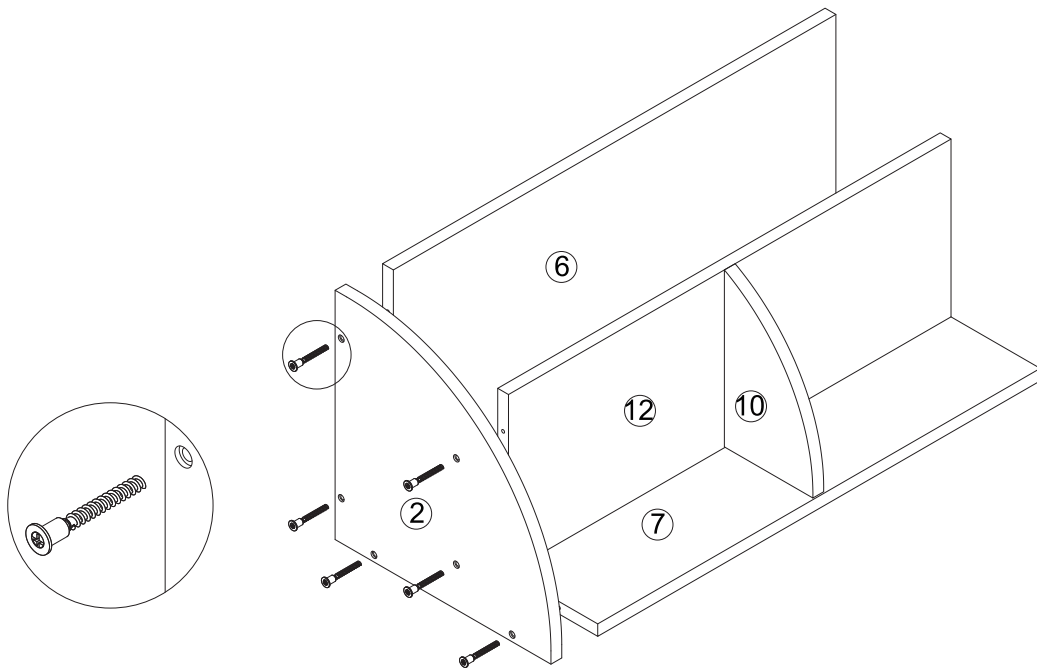
B x 3

M5*40



B x 6

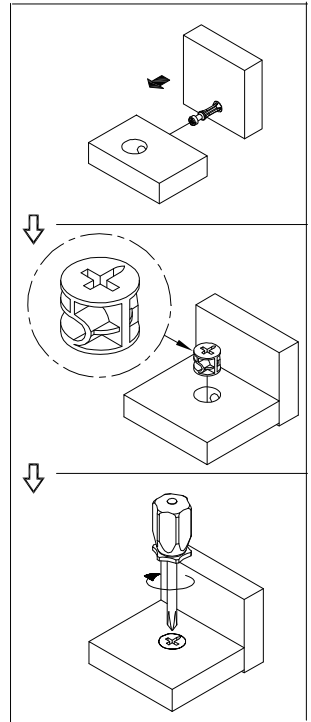
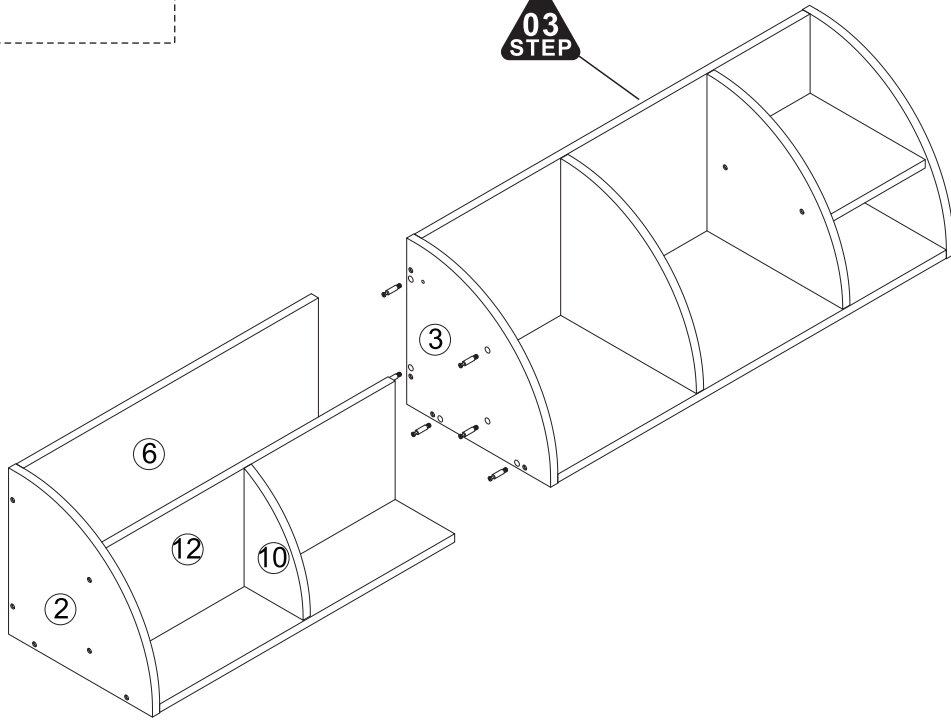
M5*40



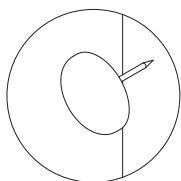
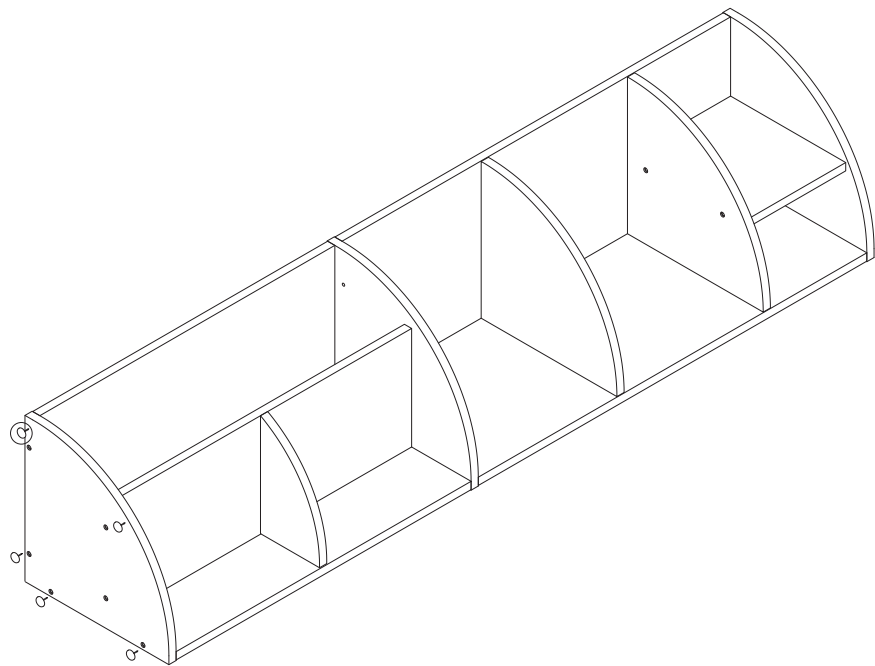
A x 6



03 STEP



D x 5



C x35

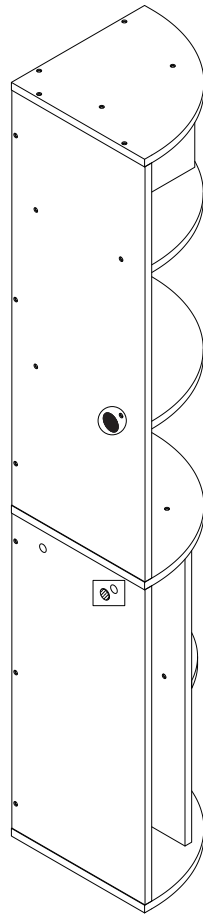
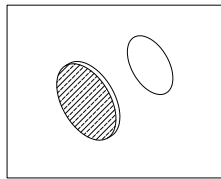
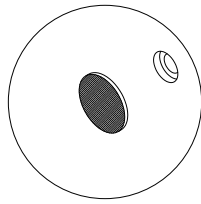


M15

I x 6



M20



E x 2



F x 1



M4*18

G x 1



M3*14

H2 x 1

