

NOTICE

- * Please make sure that you have all parts indicated and they are in good condition before you begin assembly of this item. Refer to part list and hardware list below for guidance.
- * This item should be assembled on a soft surface to prevent scratching the finish during assembly.
- * This item may require periodic tightening.
- * If you are having difficulty, our friendly Customer Care team is always here to help. Please email customersupport@safavieh.com

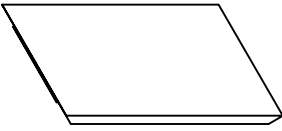
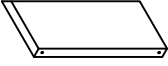





PREPARATION

- * Before beginning assembly of product, make sure all parts are present. Compare parts with part contents list and hardware contents list.
- * If any part is missing or damaged, do not attempt to assemble the product.
- * Estimated Assembly Time: 30 minutes.
- * Tools Required for Assembly : L Key (included)

CARE AND MAINTENANCE

Adhesive felt pads should always be applied to areas of furniture which make direct contact with flooring, said application will prevent damage to the furniture and or surfaces on which the furniture lies. Objects placed on articles of furniture should rest on non abrasive material as to prevent damage to the wood finish. Wipe up spills immediately and avoid common hazards such as hot dishes, harsh solvents and abrasives. Cleaning should be done with a soft lint free cotton cloth dampened with water or furniture polish.

Part List and Hardware List

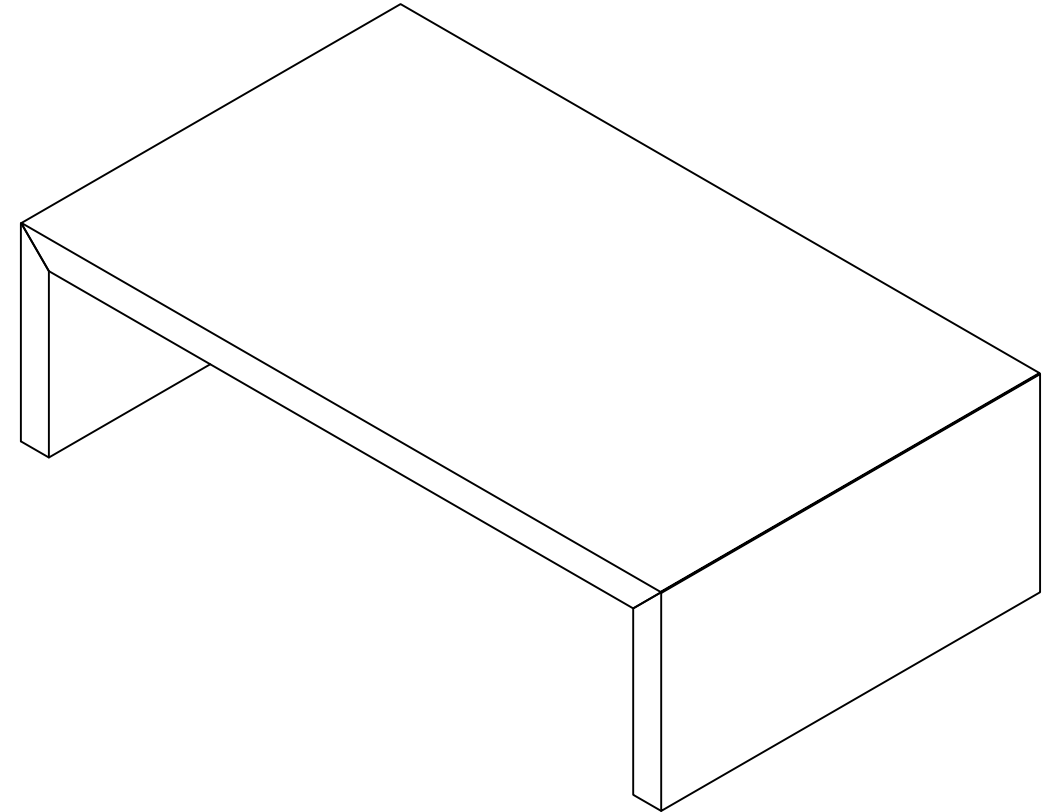
PIECE	DESCRIPTION	PICTURE	QUANTITY
A	TOP ASSEMBLY		1X
B	LEG		2X
HW1	BOLT 6 x 1 x 50 MM		8X
HW2	SPRING WASHER Ø13 x 1 MM		8X
HW3	FLAT WASHER Ø16 x 1 MM		8X
HW4	L KEY		1X
HW5	LEVELER 6 x 1 x 18 MM		4X

SAFAVIEH

C O U T U R E

Model# SFV1318

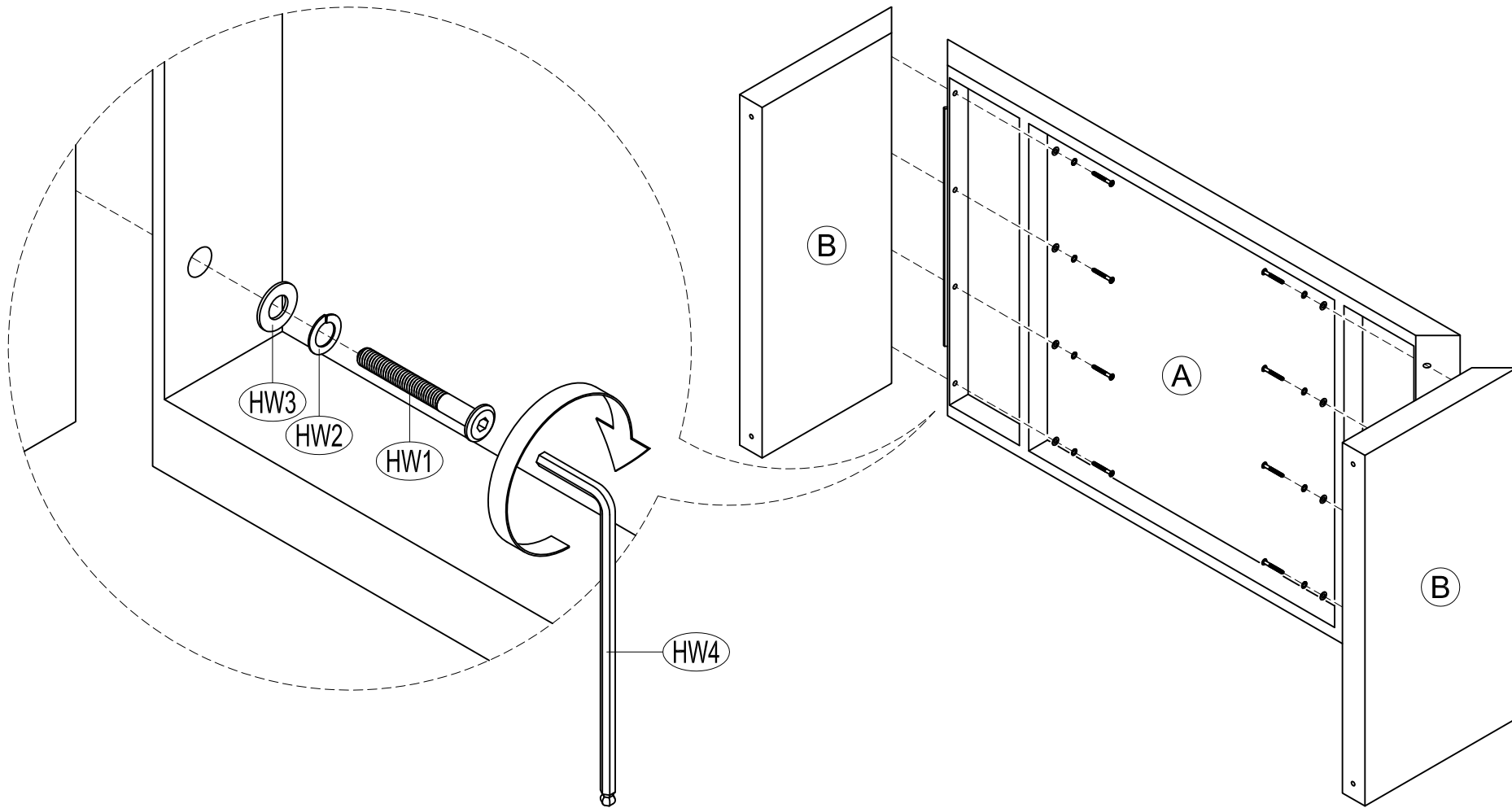
Product Dimensions: 54"W x 31 15/16"D x 16"H



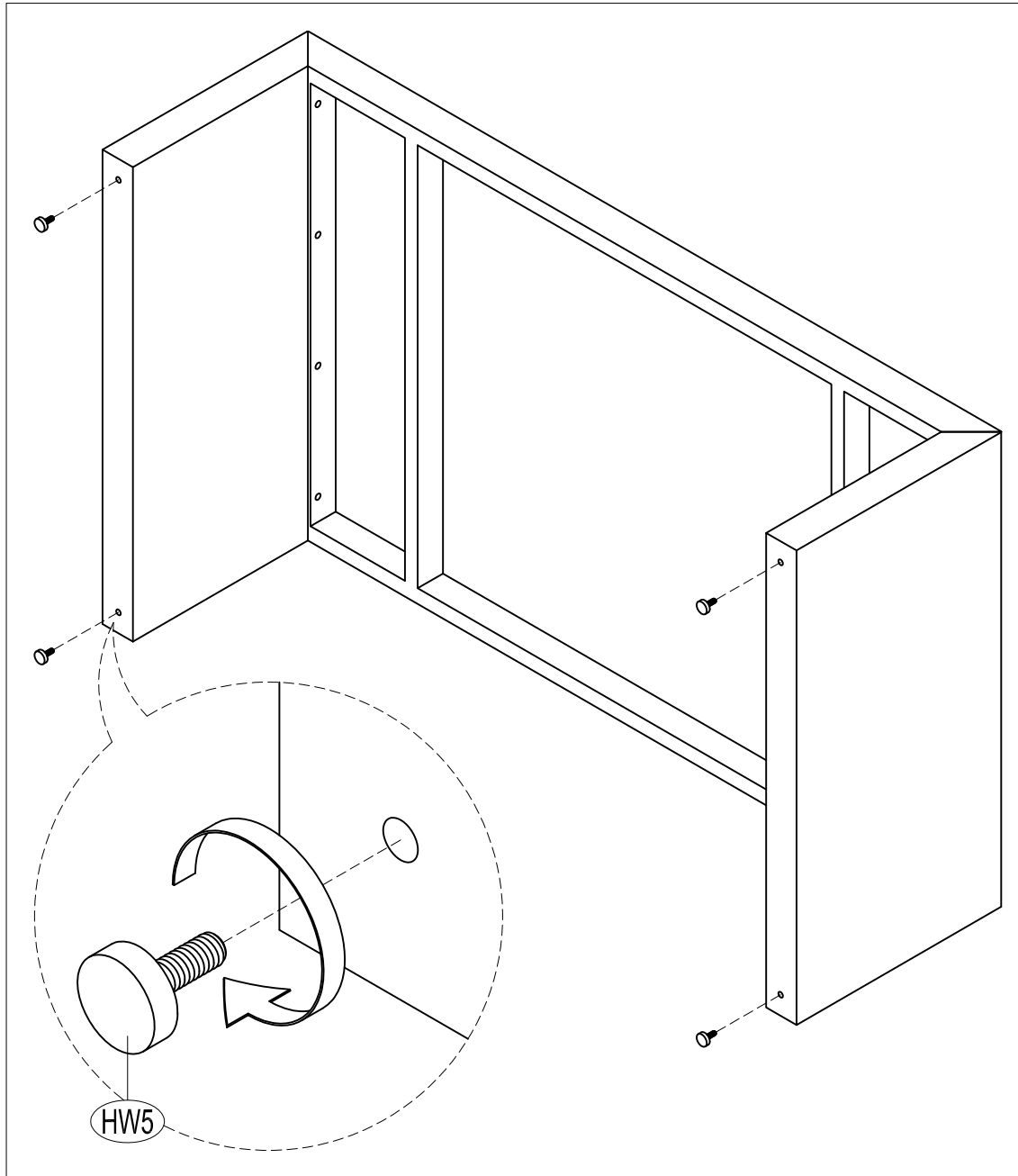
WEIGHT CAPACITY: 100 LBS
WARNING: DO NOT STAND ON THE TABLE
WARNING: DO NOT OVER TORQUE BOLTS

PREPARATION

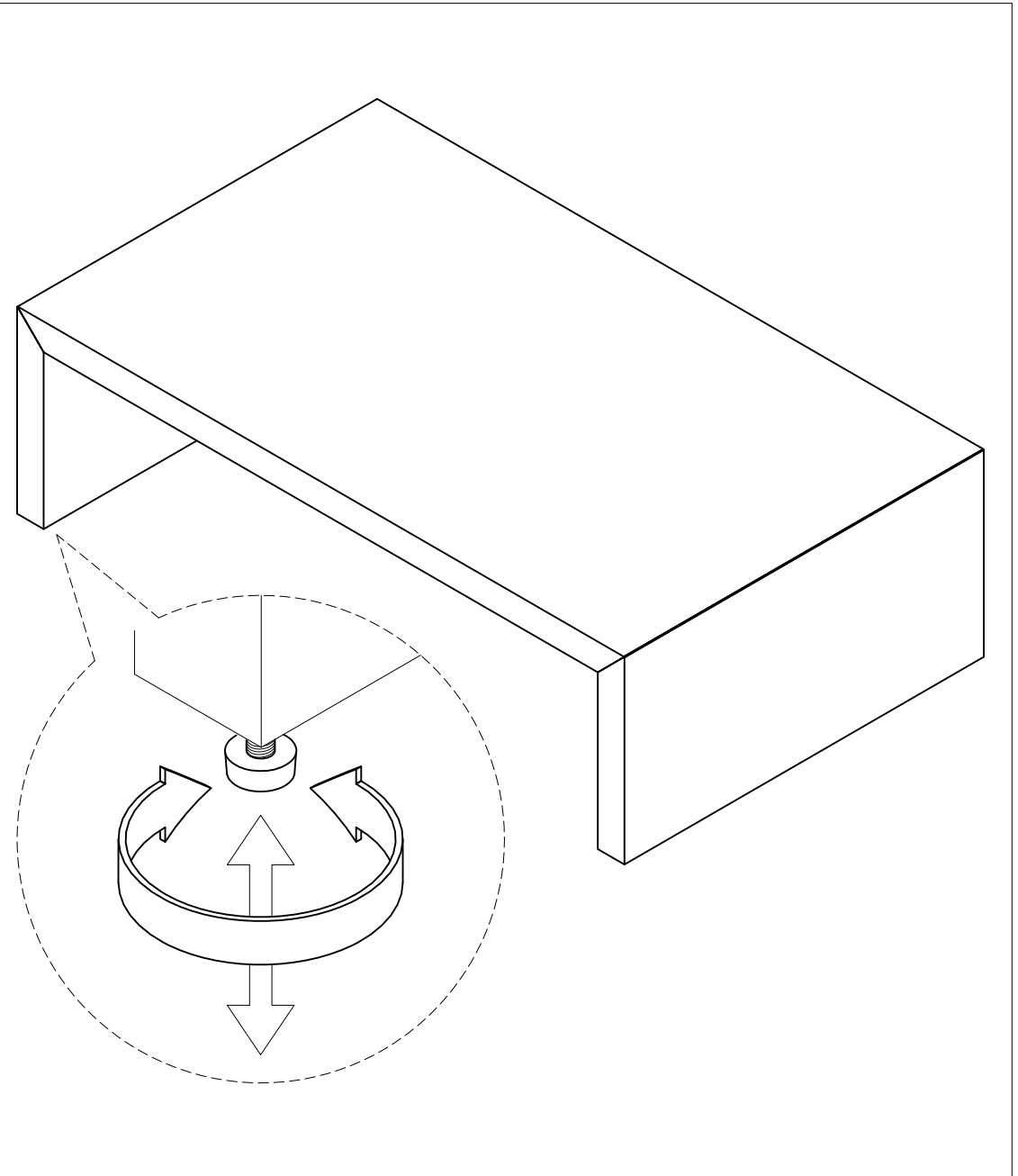
- * Before beginning assembly of product, make sure all parts are present. Compare parts with part contents list and hardware contents list.
- * If any part is missing or damaged, do not attempt to assemble the product.
- * Estimated Assembly Time: 30 minutes.
- * Tools Required for Assembly : L Key (included)
- * If you are having difficulty, our friendly Customer Care team is always here to help. Please email customersupport@safavieh.com



STEP 1 PLACE THE SPRING WASHERS (HW2) AND FLAT WASHERS (HW3) ON THE BOLTS (HW1) AS SHOWN. ATTACH THE LEGS (B) TO THE TOP ASSEMBLY (A) BY USING THE L KEY (HW4) TO SCREW IN THE BOLTS WITH THE WASHERS AS SHOWN.



STEP 2 SCREW IN THE LEVELERS (HW5) TO THE BOTTOM OF THE LEGS (B).



STEP 3 ADJUST THE LEVELERS AS NEEDED.