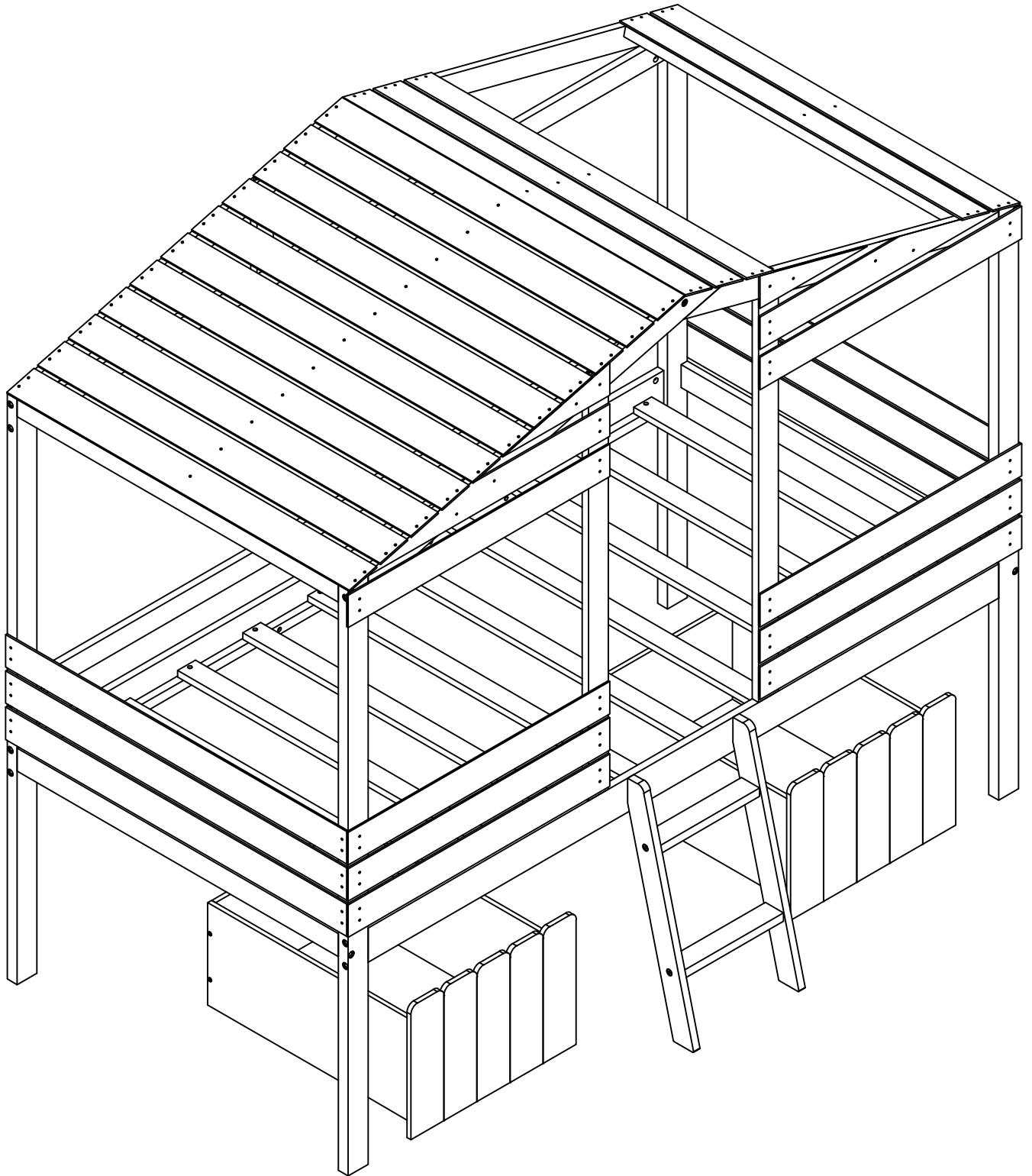
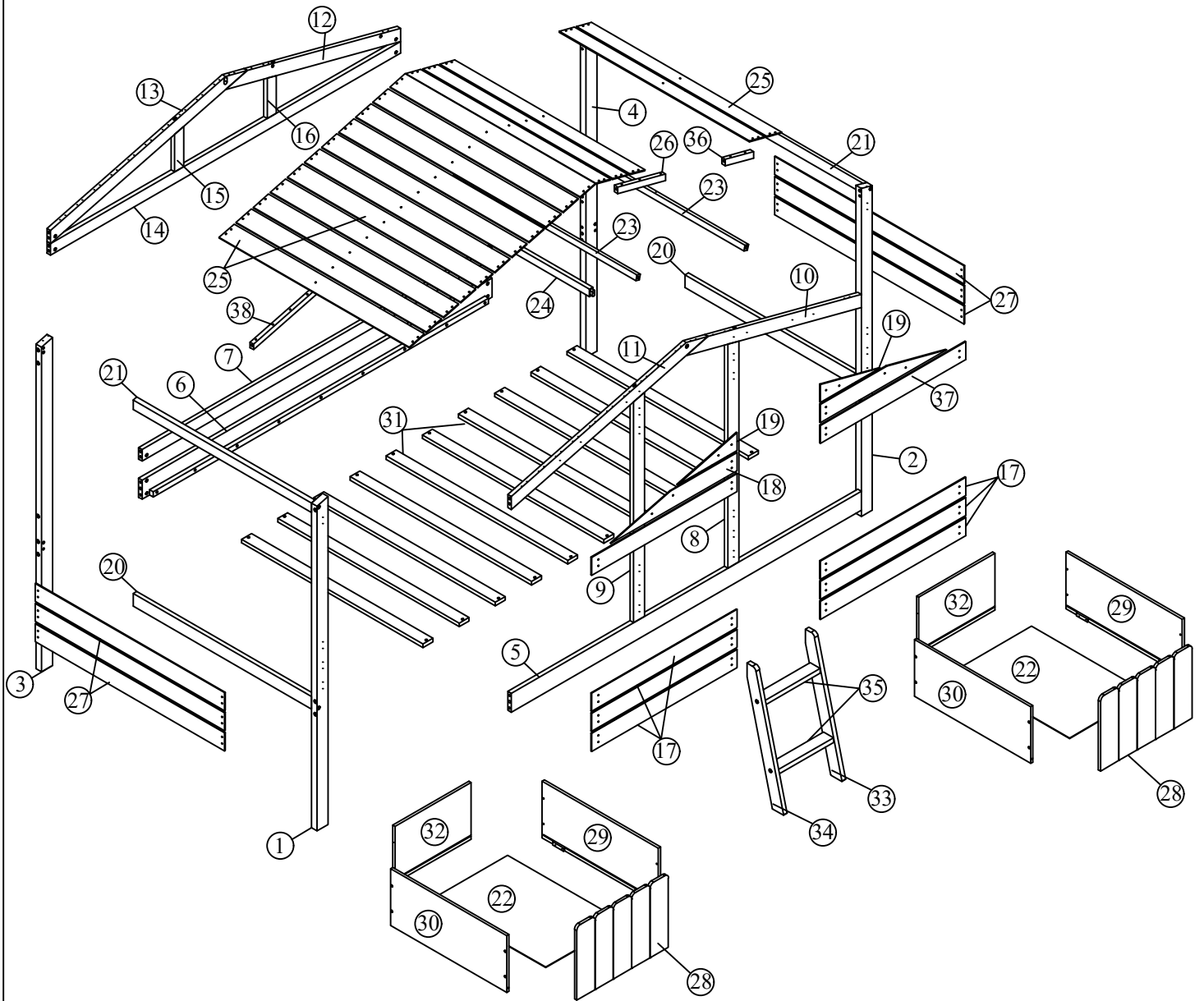


ASSEMBLY INSTRUCTION

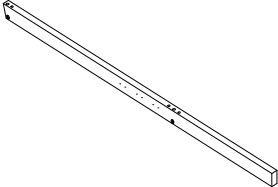
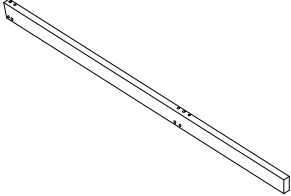
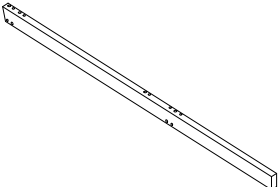
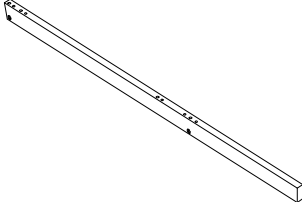
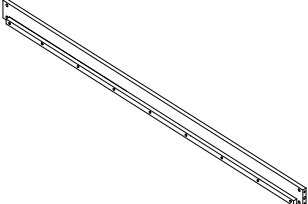
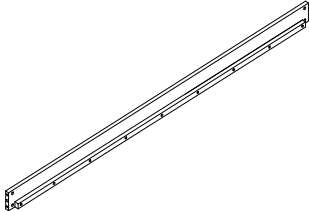
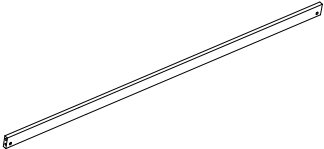
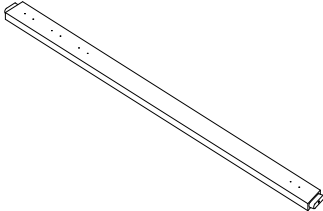
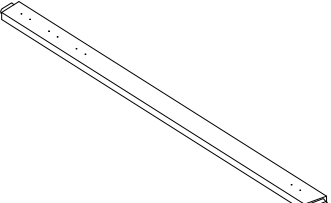
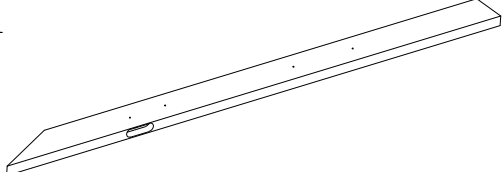
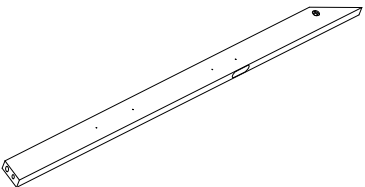
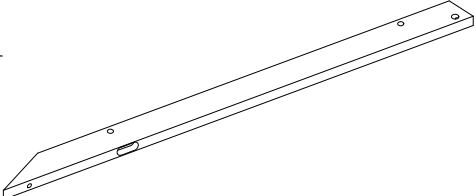
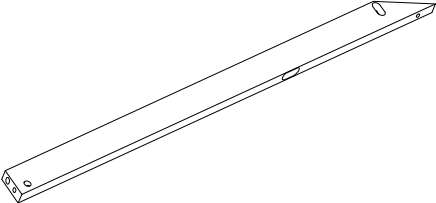
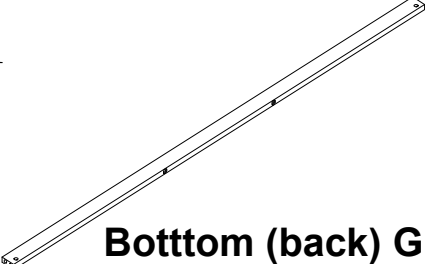
SKU CODE: WF296664



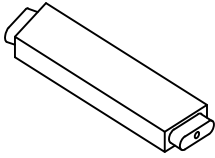
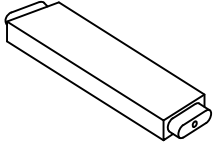
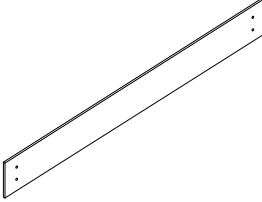
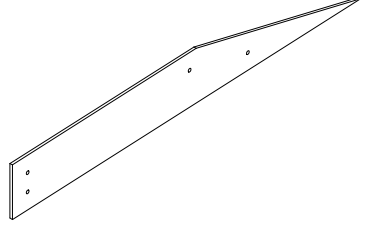
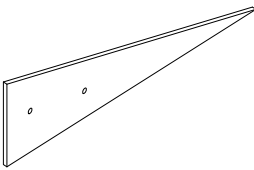
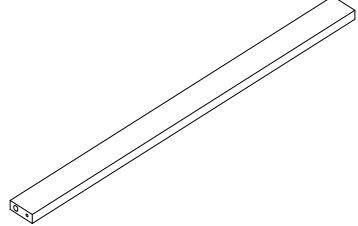
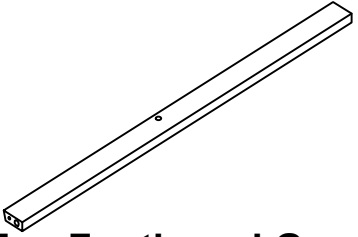
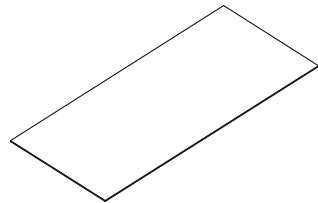
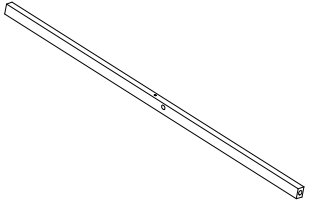
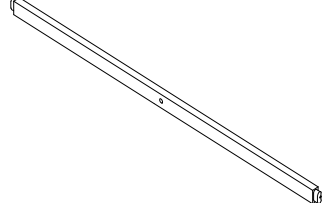
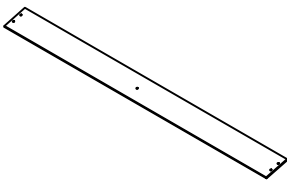
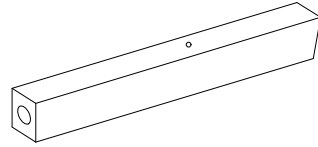
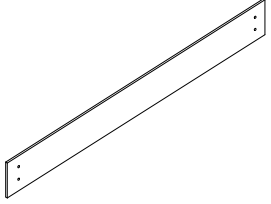
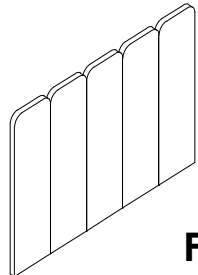
Detail:



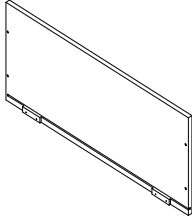
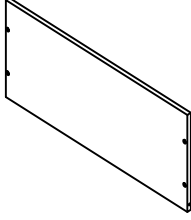
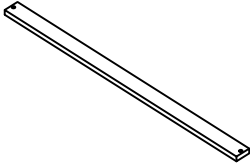
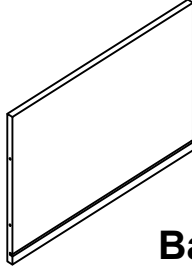
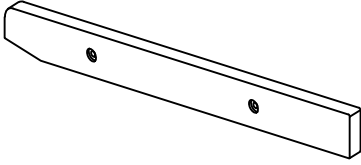
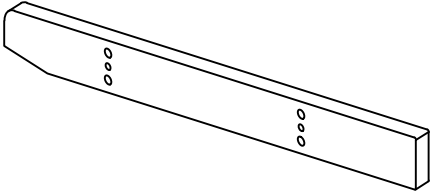
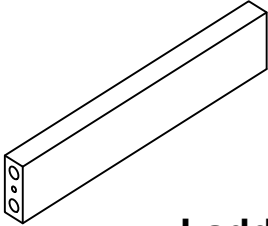
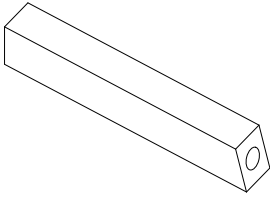
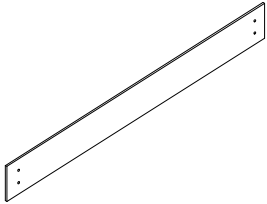
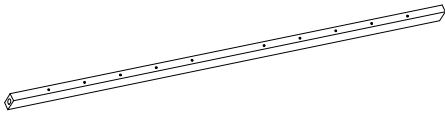
Part List (WF296664)

<p>① x1</p>  <p>Footboard Leg</p>	<p>② x1</p>  <p>Footboard Leg</p>
<p>③ x1</p>  <p>Headboard Leg</p>	<p>④ x1</p>  <p>Headboard Leg</p>
<p>⑤ x1</p>  <p>Side Rails Front</p>	<p>⑥ x1</p>  <p>Side Rail Back</p>
<p>⑦ x1</p>  <p>Side Rail Guard</p>	<p>⑧ x1</p>  <p>Right (front) Guard</p>
<p>⑨ x1</p>  <p>Left (front) Top Guard</p>	<p>⑩ x1</p>  <p>Right (front) Top Guard</p>
<p>⑪ x1</p>  <p>Left (front) Top Guard</p>	<p>⑫ x1</p>  <p>Right (back) Top Guard</p>
<p>⑬ x1</p>  <p>Left (back) Top Guard</p>	<p>⑭ x1</p>  <p>Bottom (back) Guard</p>

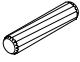
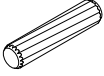
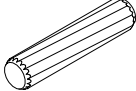
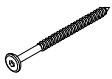


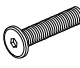


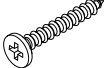



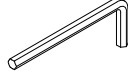
Part List (WF296664)

<p>⑮ x1</p>  <p style="text-align: center;">Left (back) Guard</p>	<p>⑯ x1</p>  <p style="text-align: center;">Right (back) Guard</p>
<p>⑰ x6</p>  <p style="text-align: center;">Front Frame Panel</p>	<p>⑱ x2</p>  <p style="text-align: center;">Top (mid) Under Frame Panel</p>
<p>⑲ x2</p>  <p style="text-align: center;">Top Under Frame Panel</p>	<p>⑳ x2</p>  <p style="text-align: center;">Bottom Footboard Guard</p>
<p>㉑ x2</p>  <p style="text-align: center;">Top Footboard Guard</p>	<p>㉒ x2</p>  <p style="text-align: center;">Bottom Drawer</p>
<p>㉓ x2</p>  <p style="text-align: center;">Right Under Frame Panel</p>	<p>㉔ x1</p>  <p style="text-align: center;">Mid Under Frame Panel</p>
<p>㉕ x16</p>  <p style="text-align: center;">Under Frame Panels</p>	<p>㉖ x1</p>  <p style="text-align: center;">Long (right) Under Frame Panel</p>
<p>㉗ x6</p>  <p style="text-align: center;">Under Frame Panel</p>	<p>㉘ x2</p>  <p style="text-align: center;">Front Drawer</p>

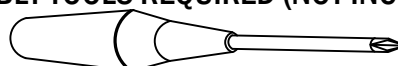
Part List (WF296664)

<p>②9 x2</p>  <p>Right Side Drawer</p>	<p>③0 x2</p>  <p>Left Side Drawer</p>
<p>③1 x10</p>  <p>Slats</p>	<p>③2 x2</p>  <p>Back Drawer</p>
<p>③3 x1</p>  <p>Right Leg Ladder</p>	<p>③4 x1</p>  <p>Left Leg Ladder</p>
<p>③5 x2</p>  <p>Ladder Posts</p>	<p>③6 x1</p>  <p>Short (right) Under Frame Panel</p>
<p>③7 x2</p>  <p>Front Frame Panel</p>	<p>③8 x1</p>  <p>Mid Under Frame Panel</p>

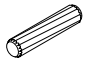

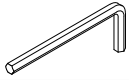
Hardware List (WF296664)

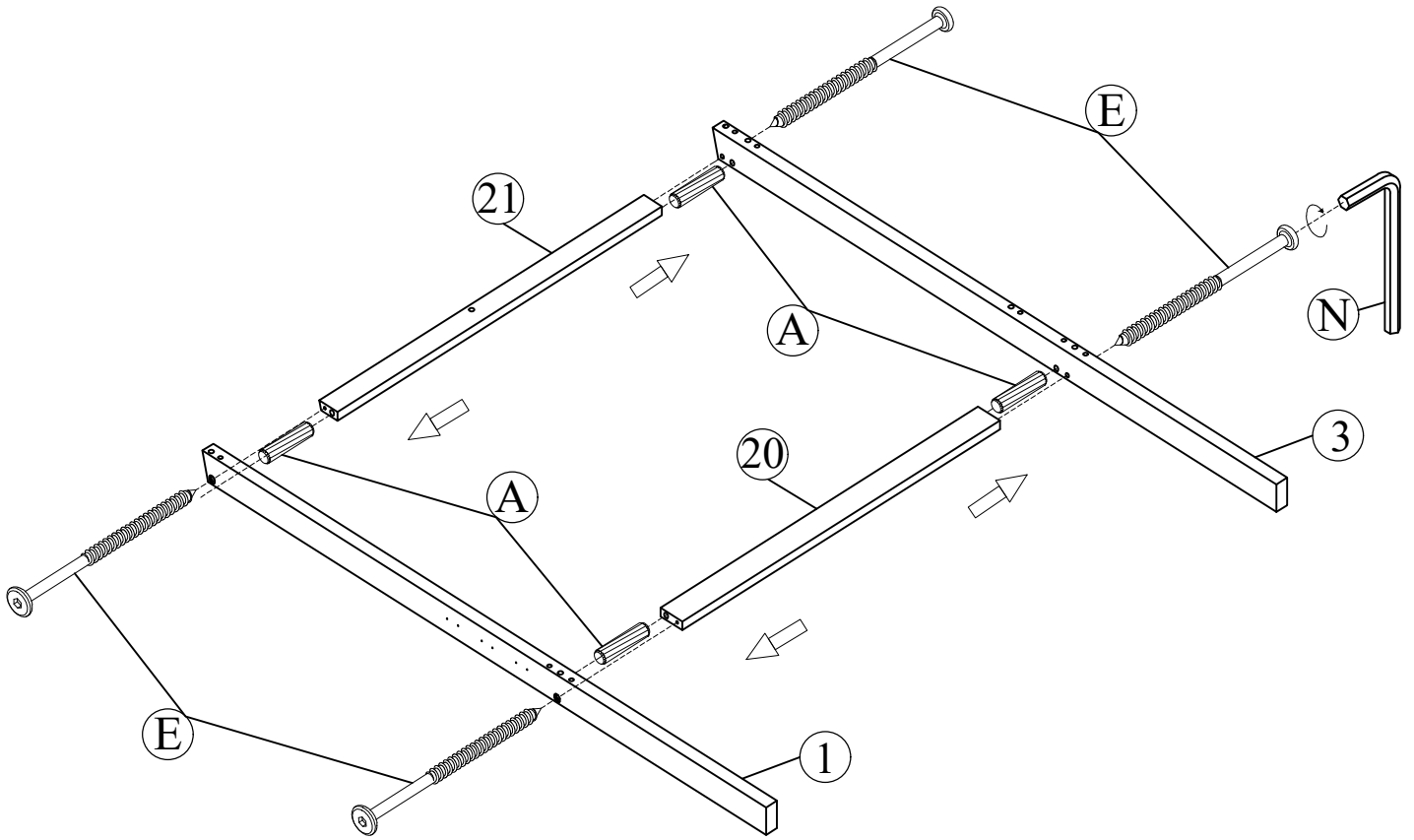
No.	OUTLOOK	DESC	QTY
(A)		Dowel Ø10*30mm	29
(B)		Dowel Ø10*40mm	06
(C)		Dowel Ø10*50mm	01
(D)		Screws Ø6.5*50mm	08
(E)		Screws Ø6.5*70mm	12
(F)		Bolts 1/4"*100mm	16
(G)		Bolts 1/4"*30mm	02
(H)		Cross dowel 1/4"*13mm	16
(W)		Flat head screw #8*60mm	02
(I)		Flat head screw #8*25mm	36
(J)		Screws #6*12mm	32
(O)		Round head screw #8*25mm	150
(M)		Wheels	08
(N)		Allen key 60*22*4mm	01

ASSEMBLY TOOLS REQUIRED (NOT INCLUDED)

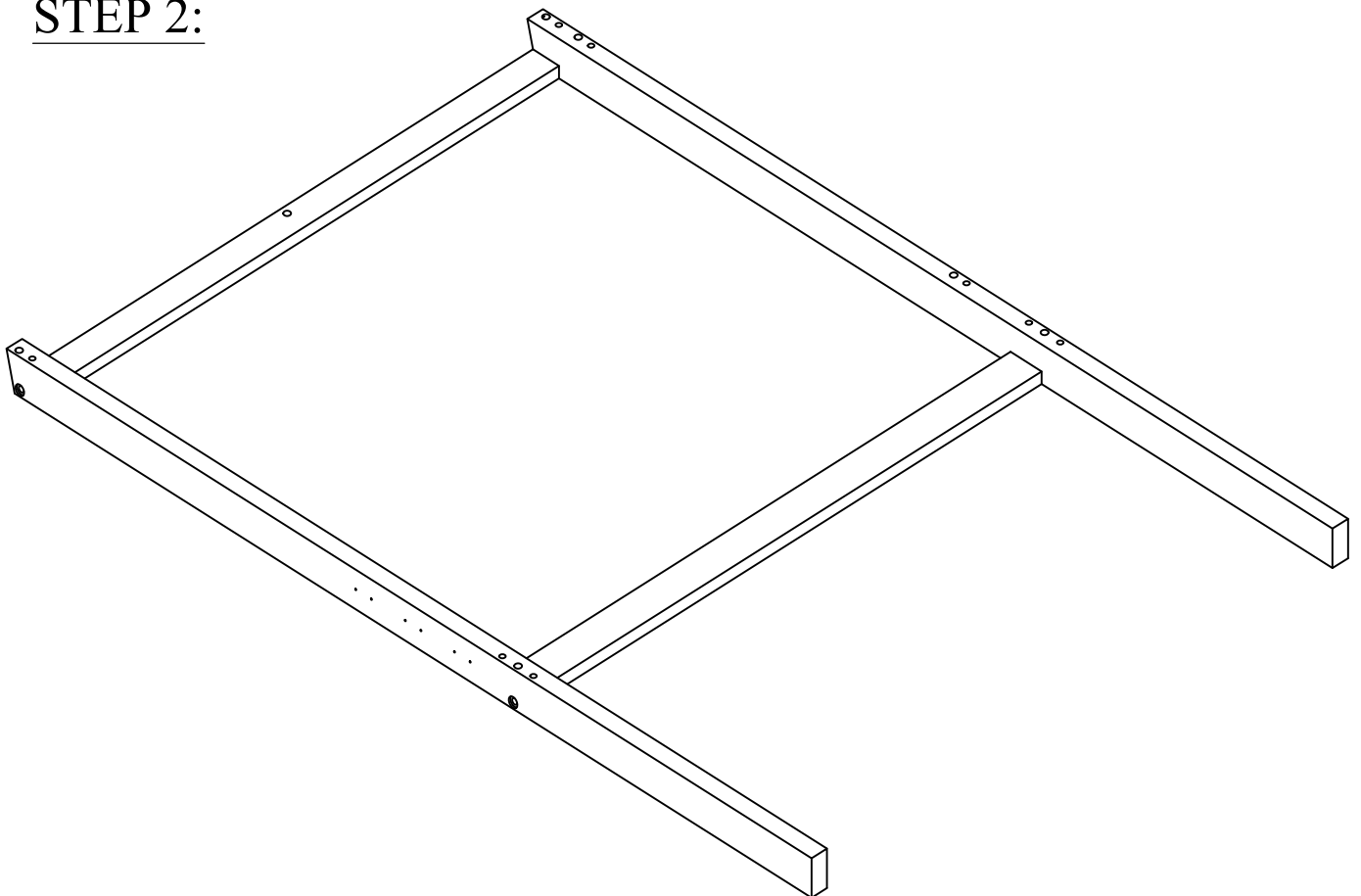


STEP 1:

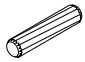

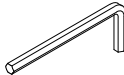
(A)		04
(E)		04
(N)		01

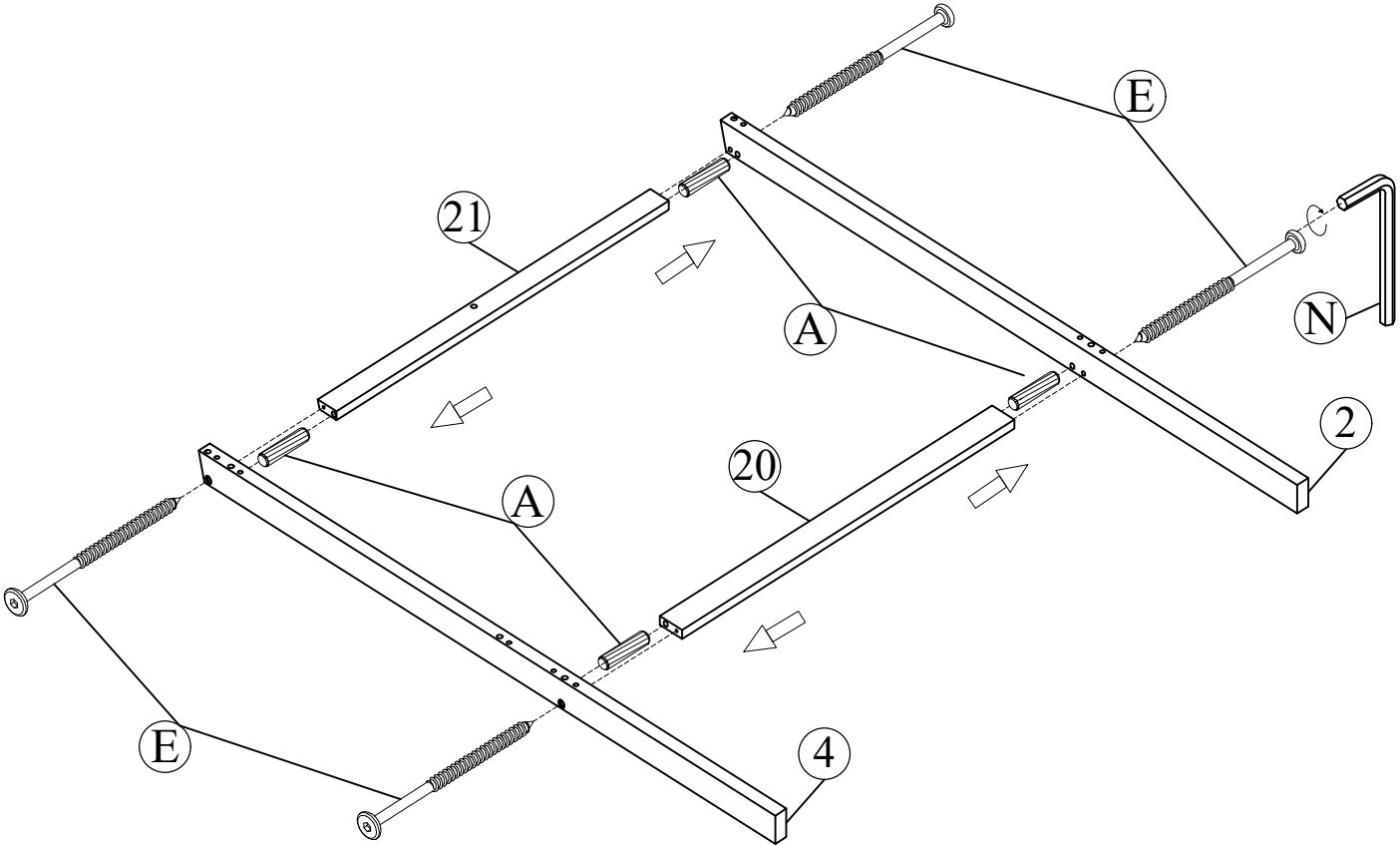


STEP 2:

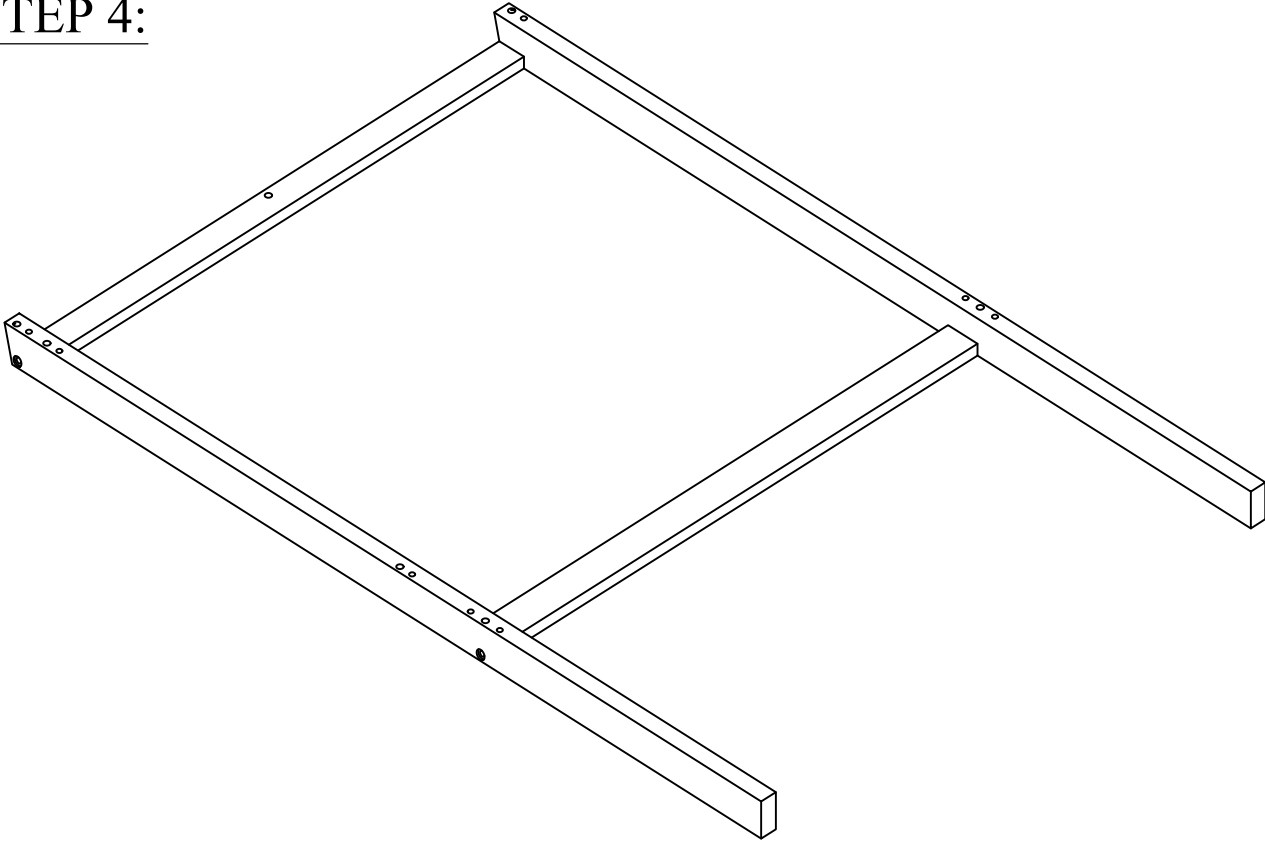


STEP 3:



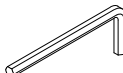
(A)		04
(E)		04
(N)		01

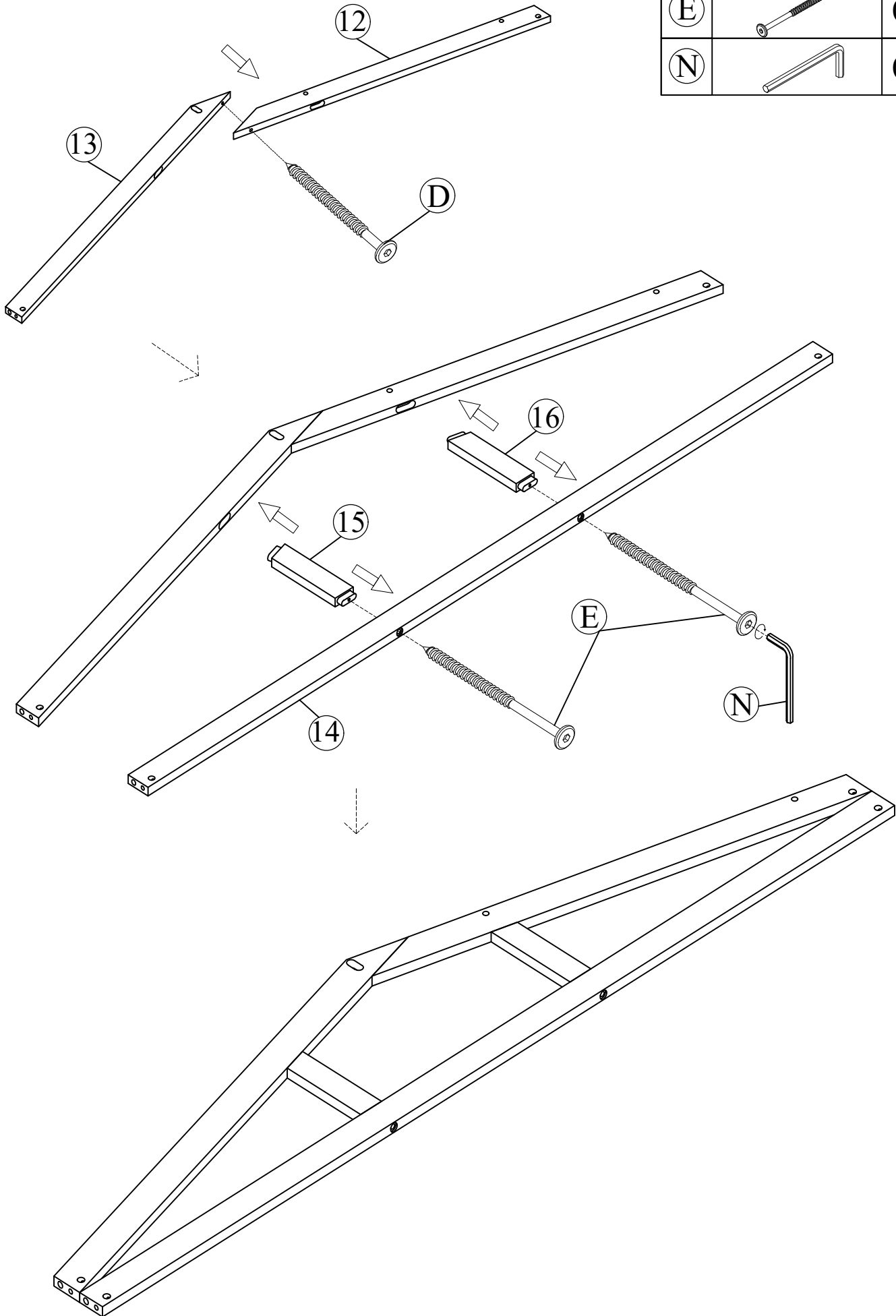


STEP 4:



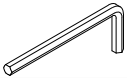


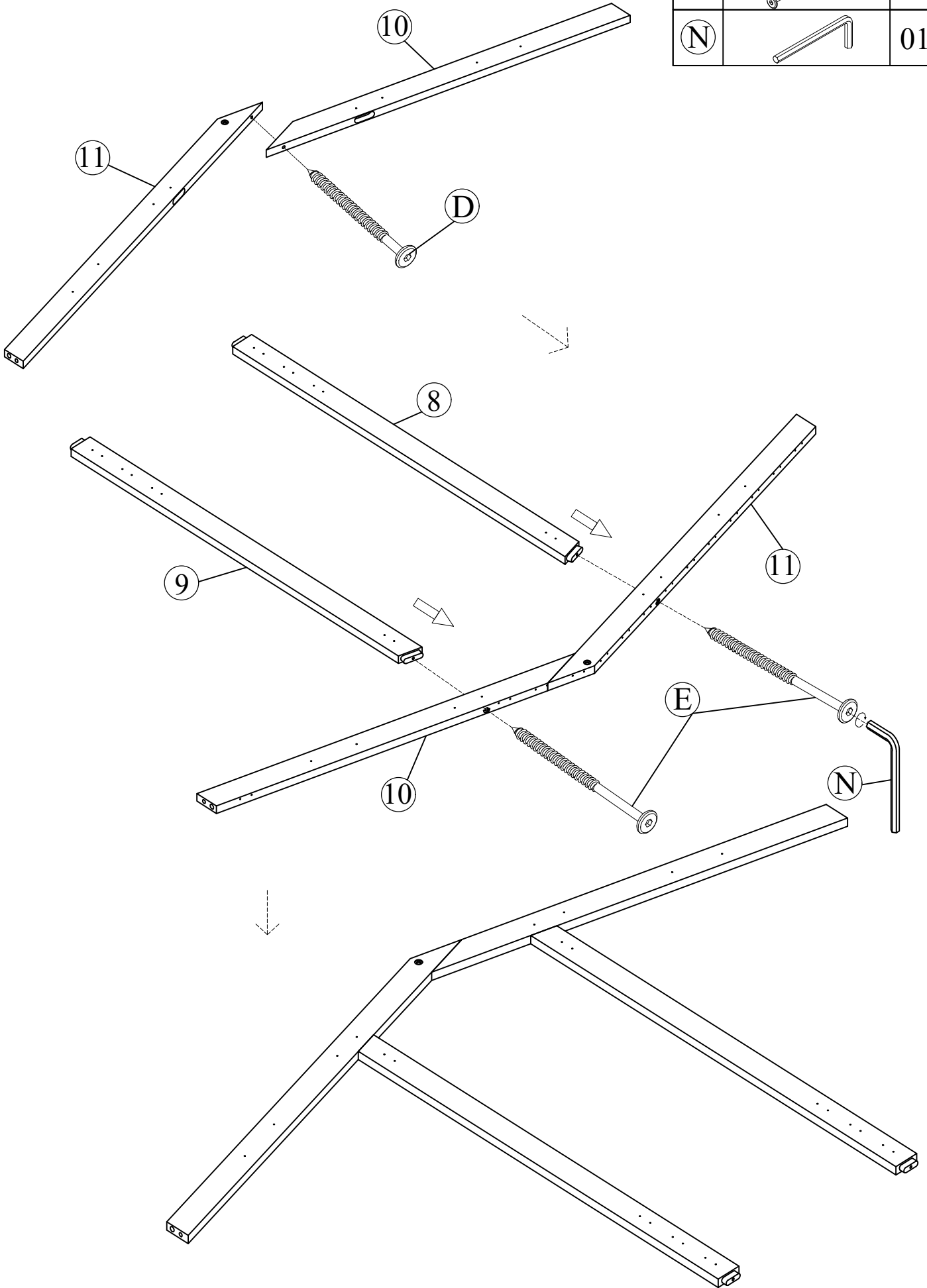
STEP 5:

(D)		01
(E)		02
(N)		01

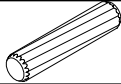


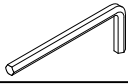


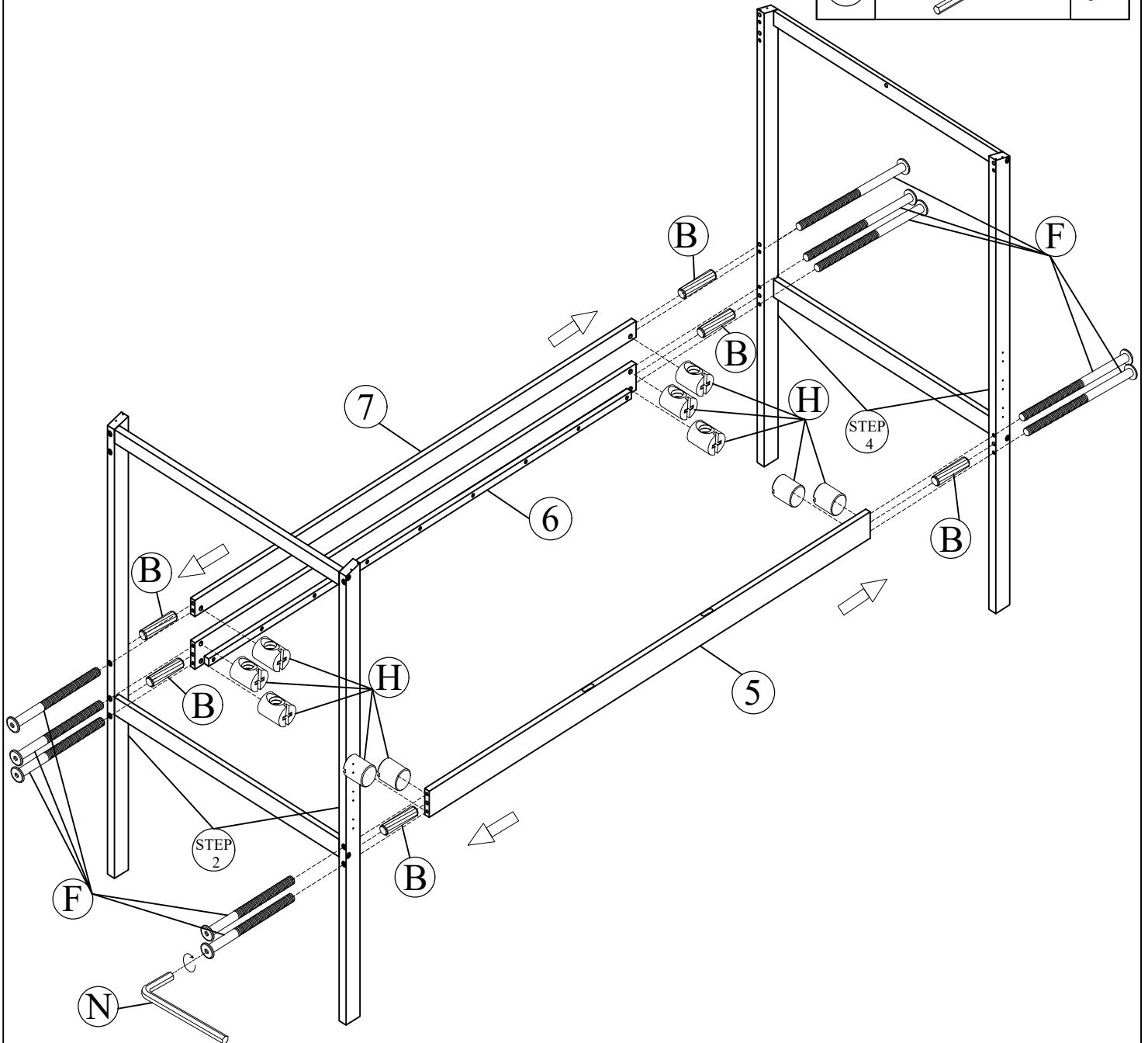
STEP 6:

(D)		01
(E)		02
(N)		01

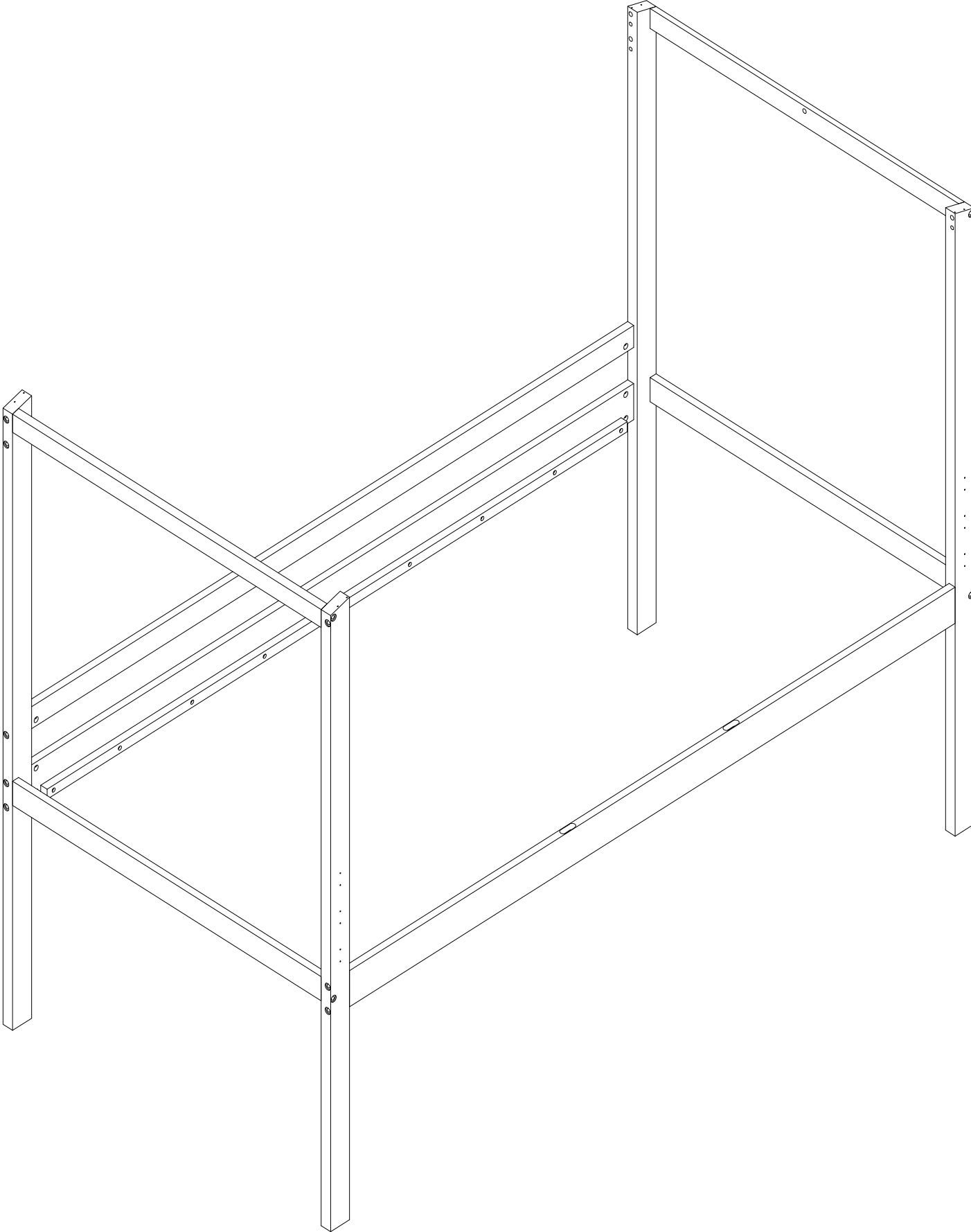


STEP 7:

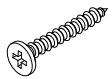
(B)		06
(F)		10
(H)		10
(N)		01

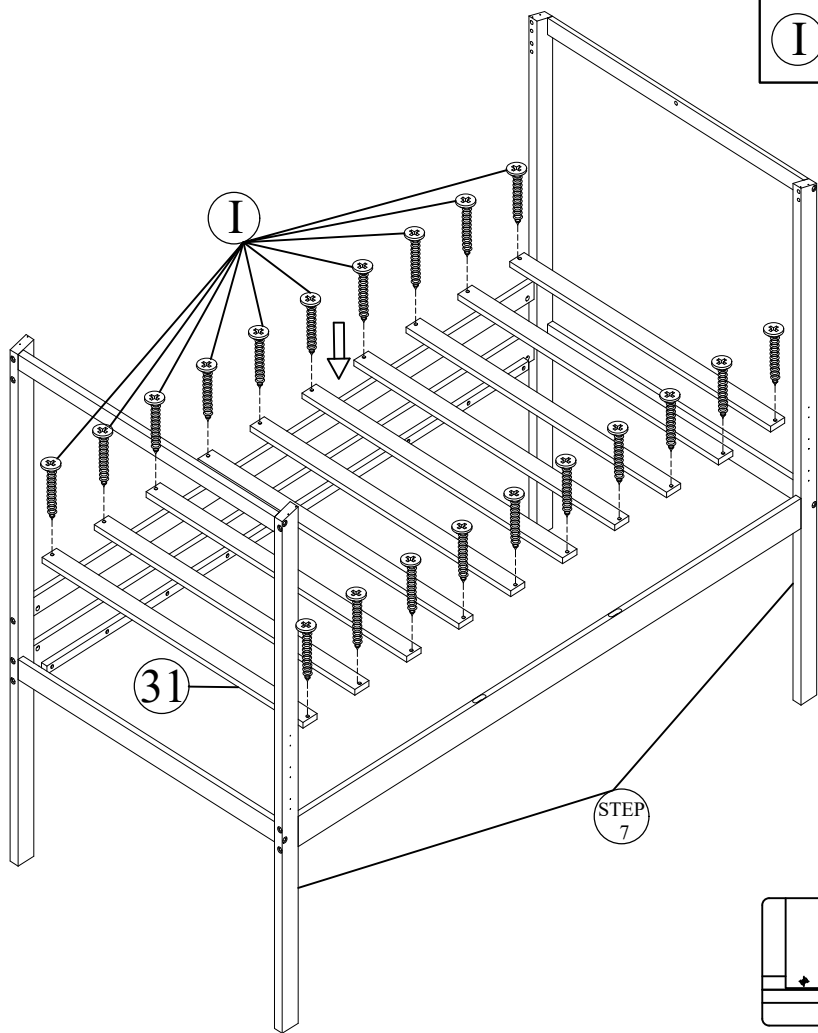


STEP 8:

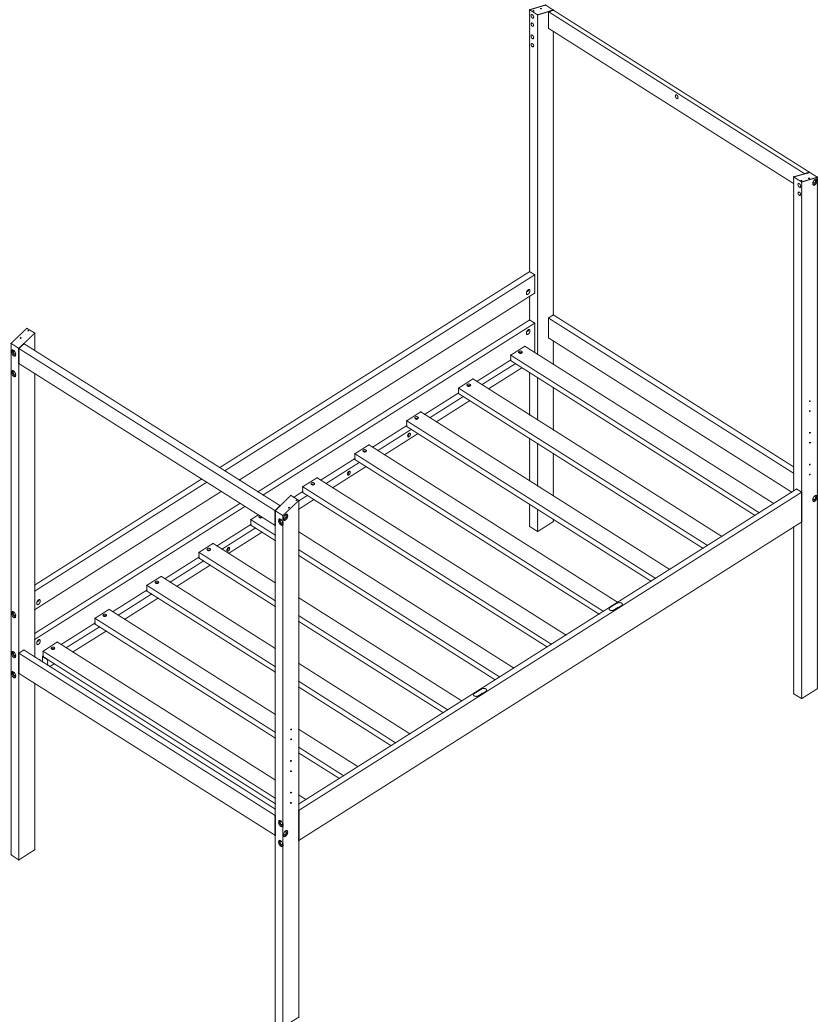


STEP 9:

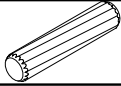
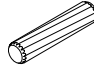
I		20
---	--	----

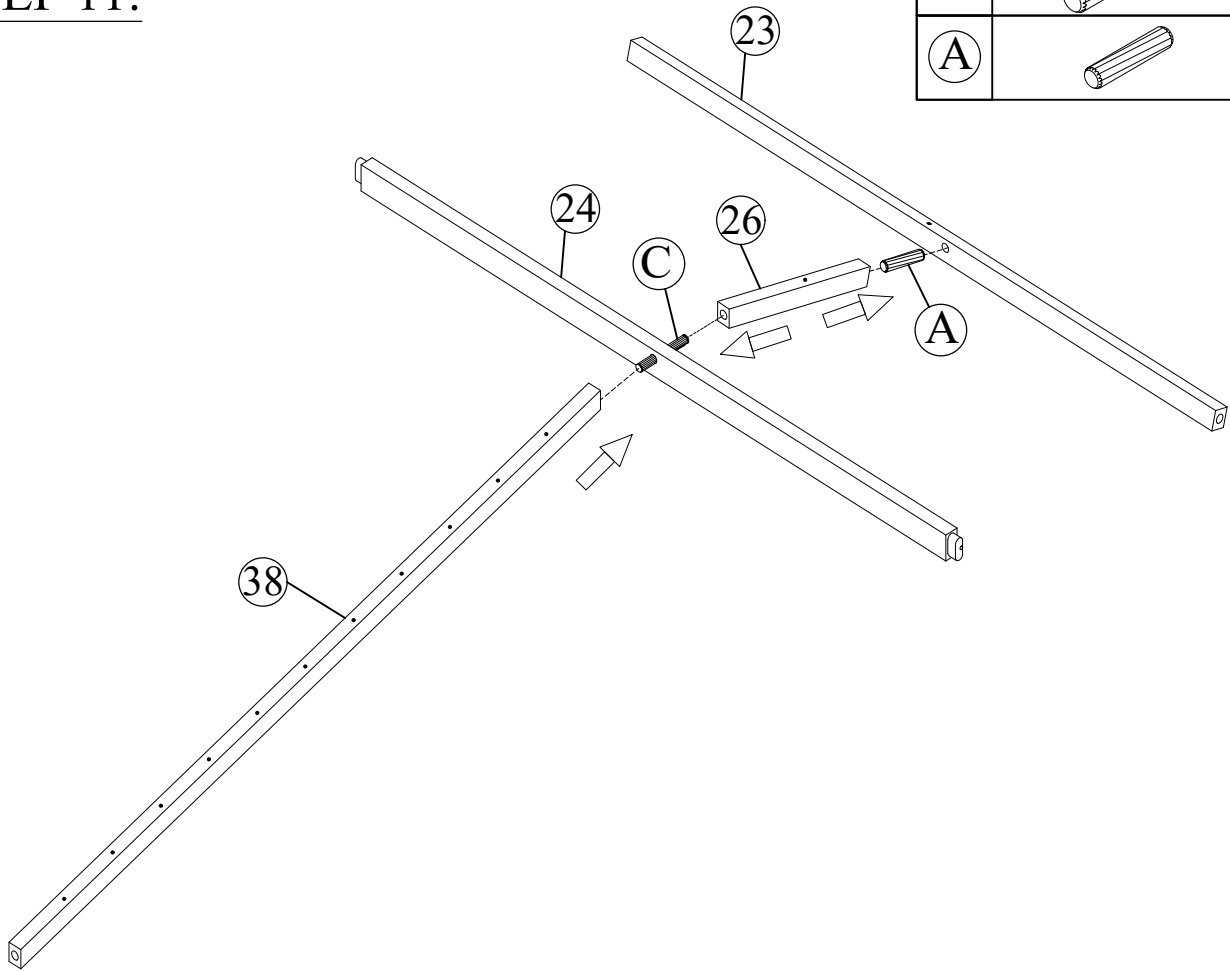


STEP 10:

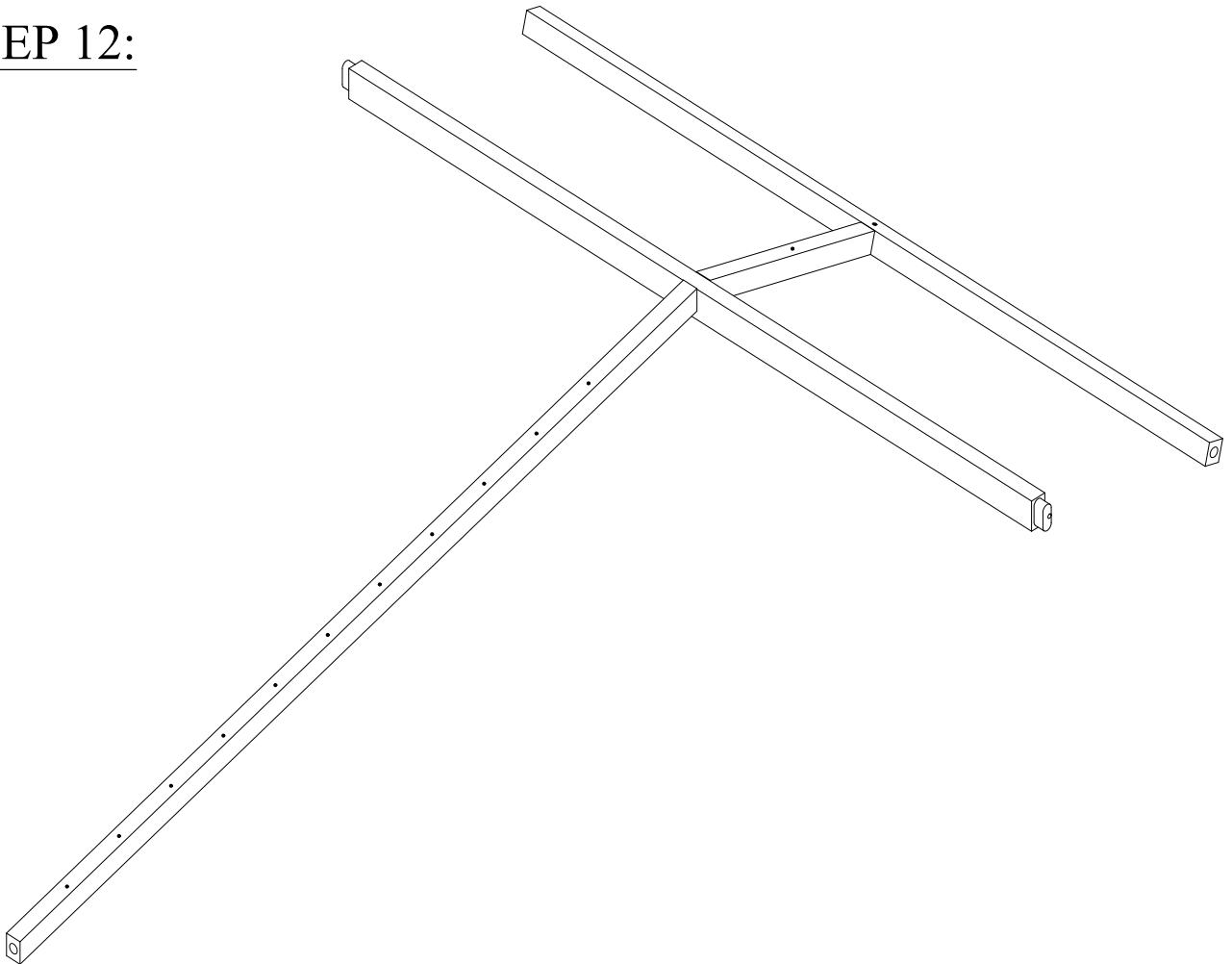


STEP 11:

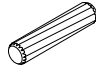
(C)		01
(A)		01

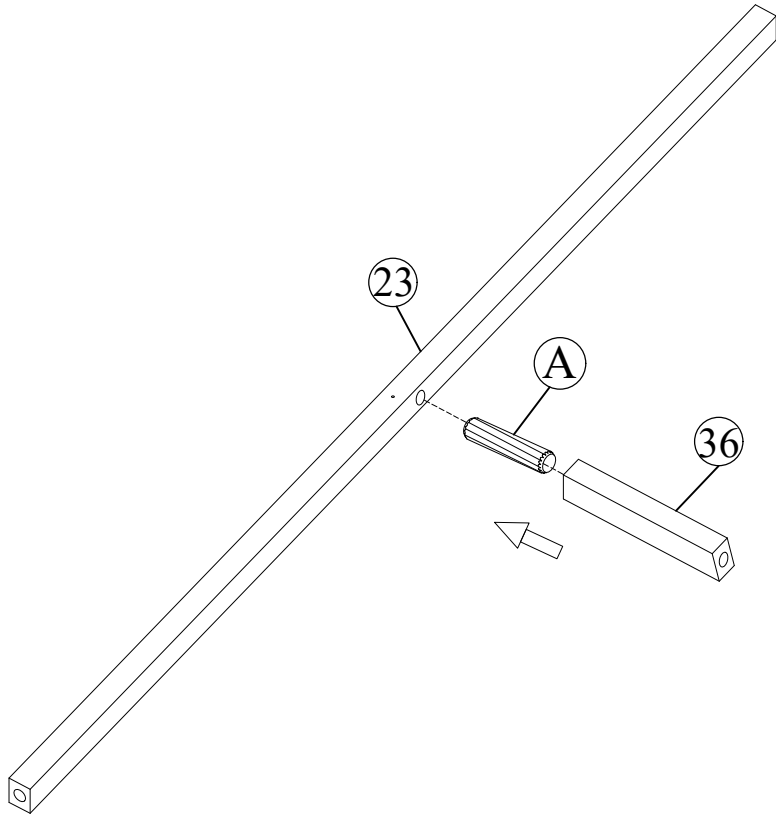


STEP 12:

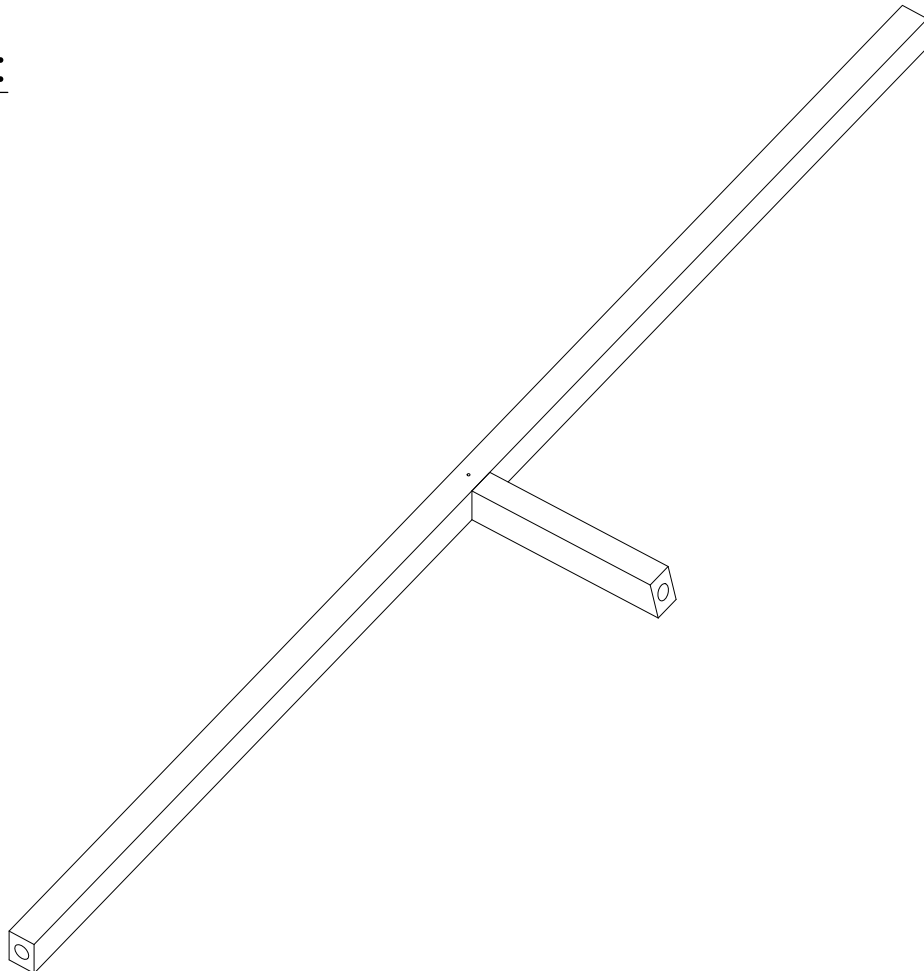


STEP 13:

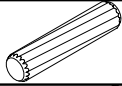



A		01
---	--	----

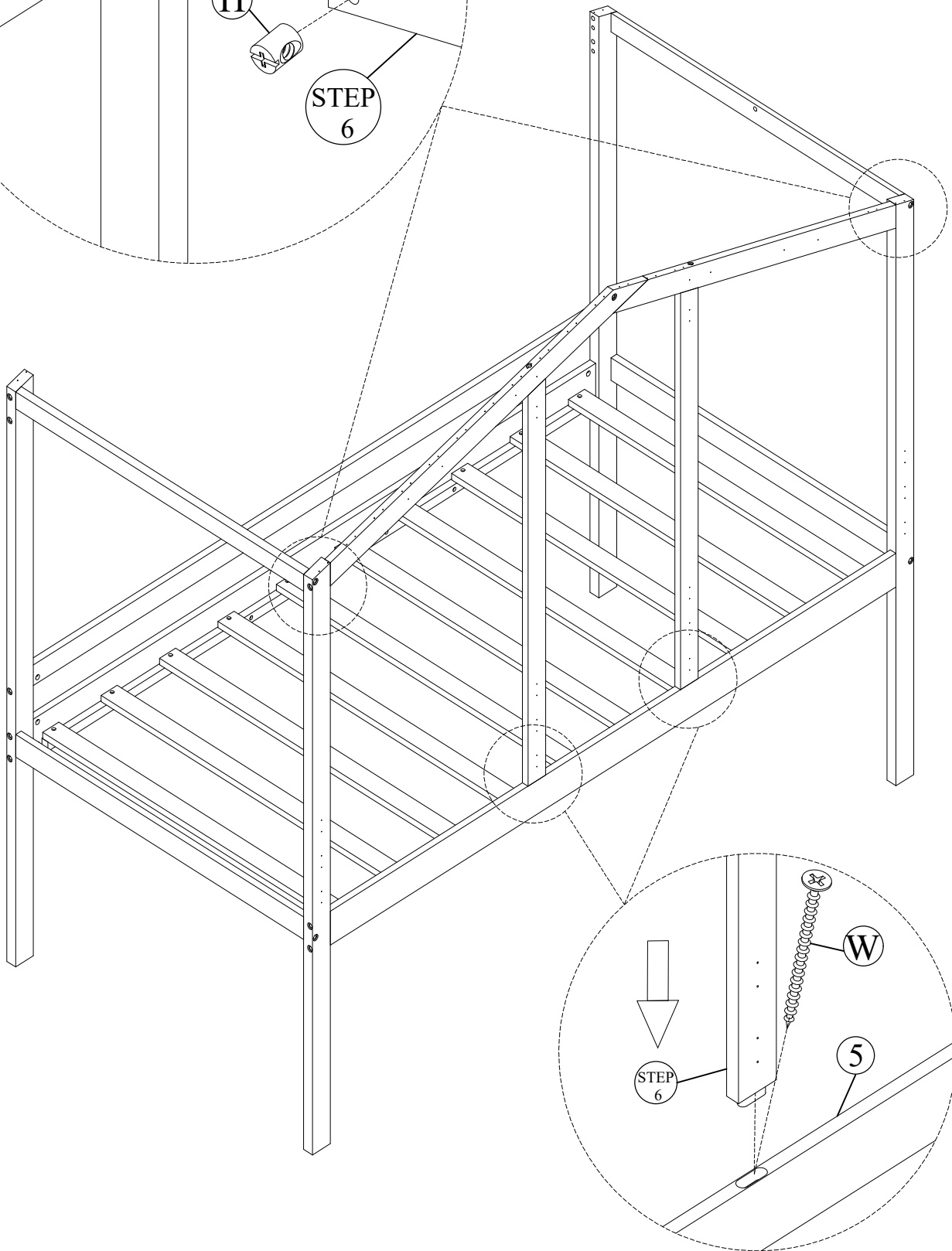
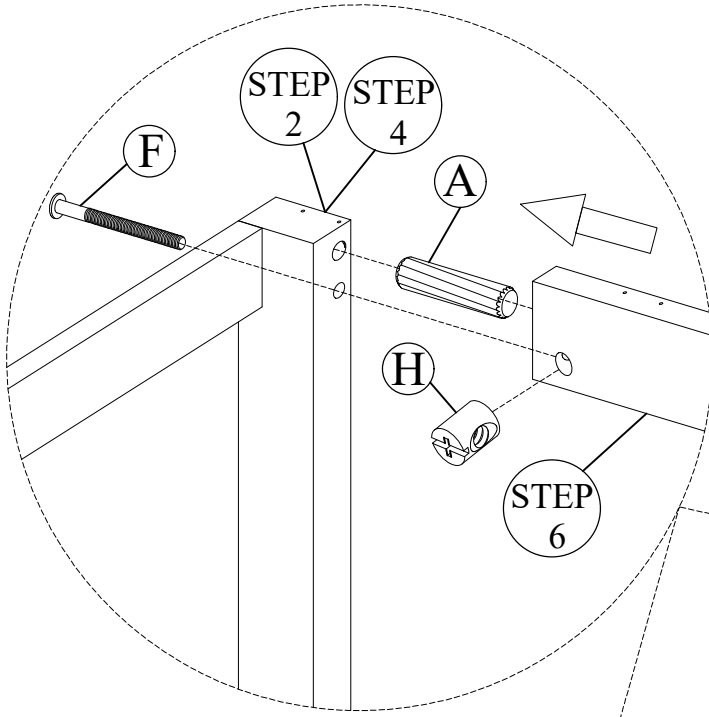


STEP 14:

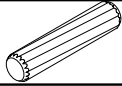



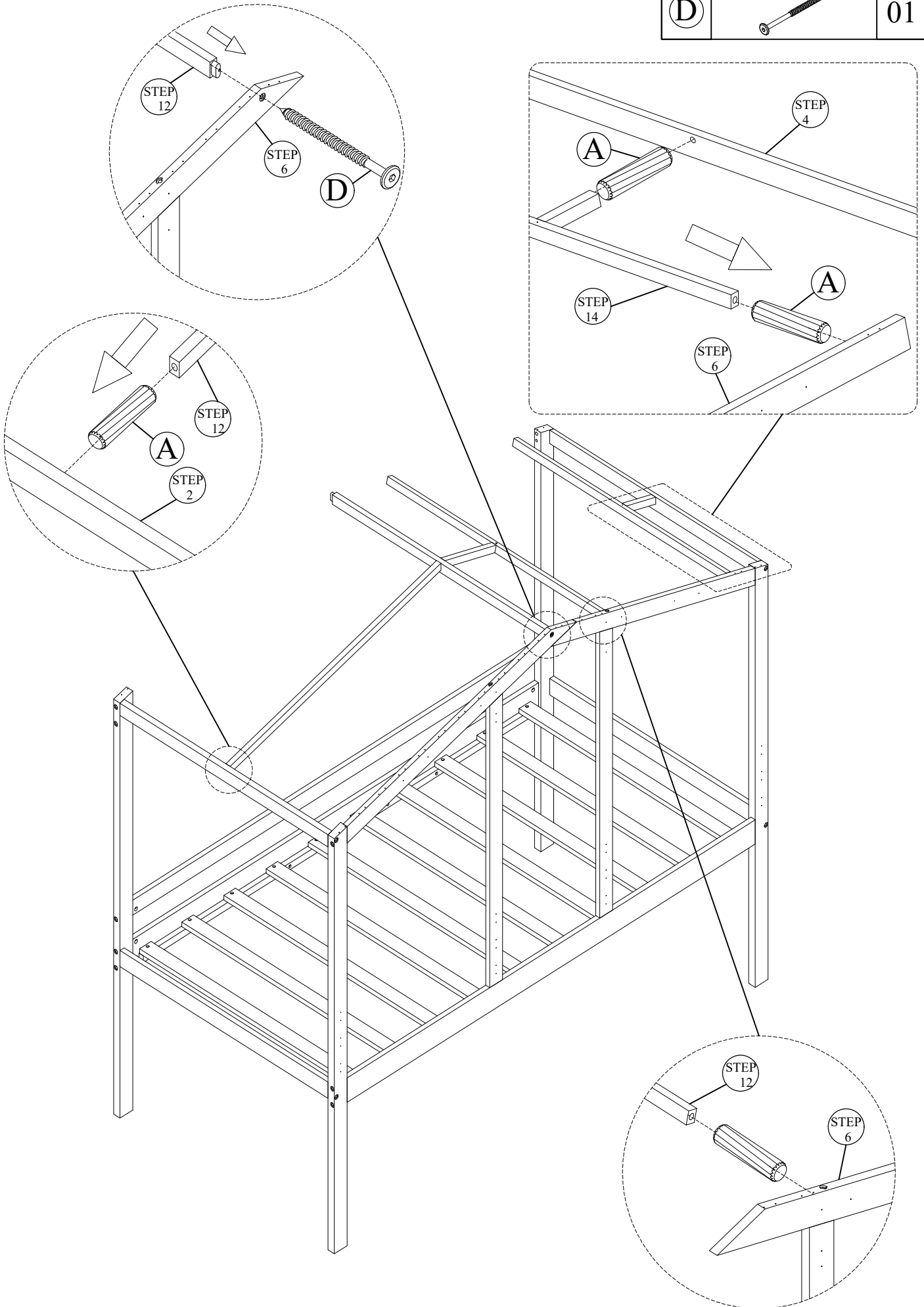
STEP 15:

(A)		02
(F)		02
(H)		02
(W)		02

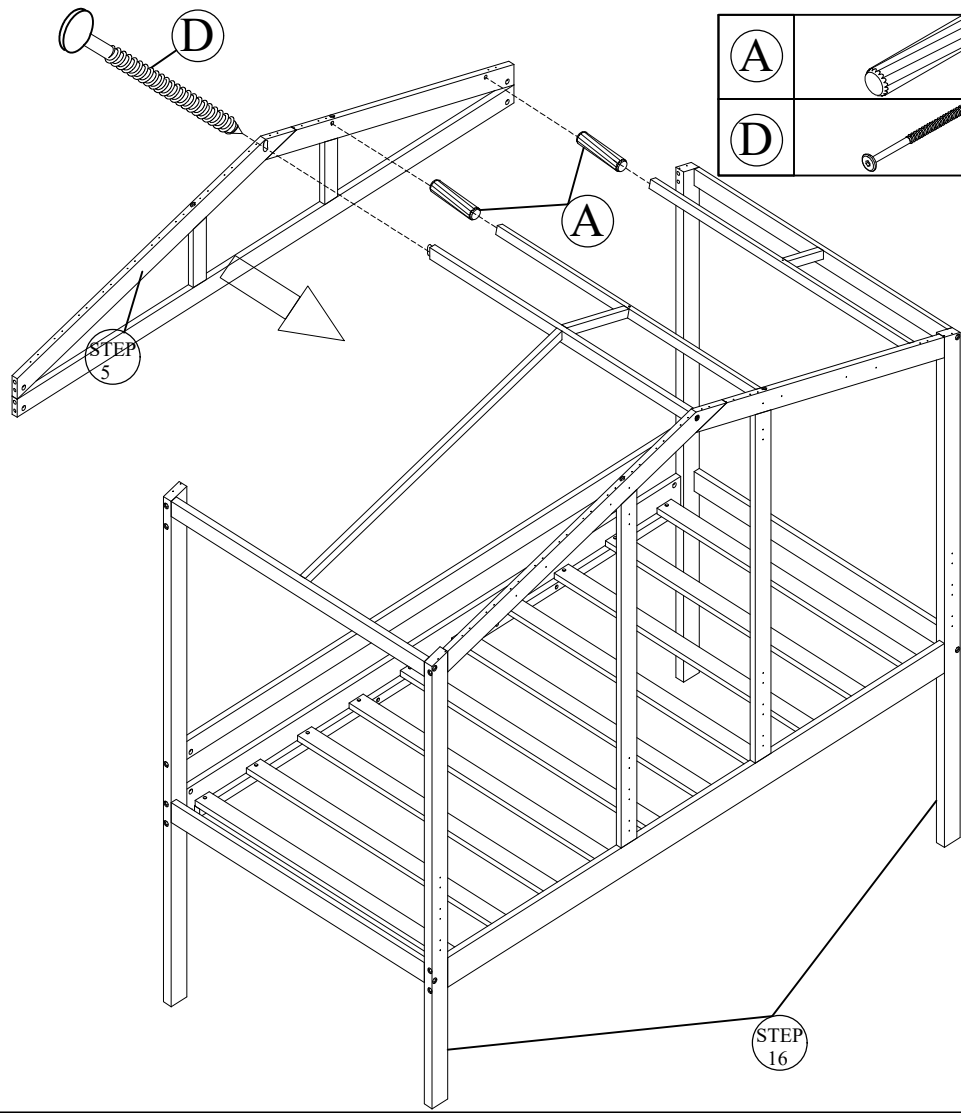


STEP 16:

(A)		03
(D)		01

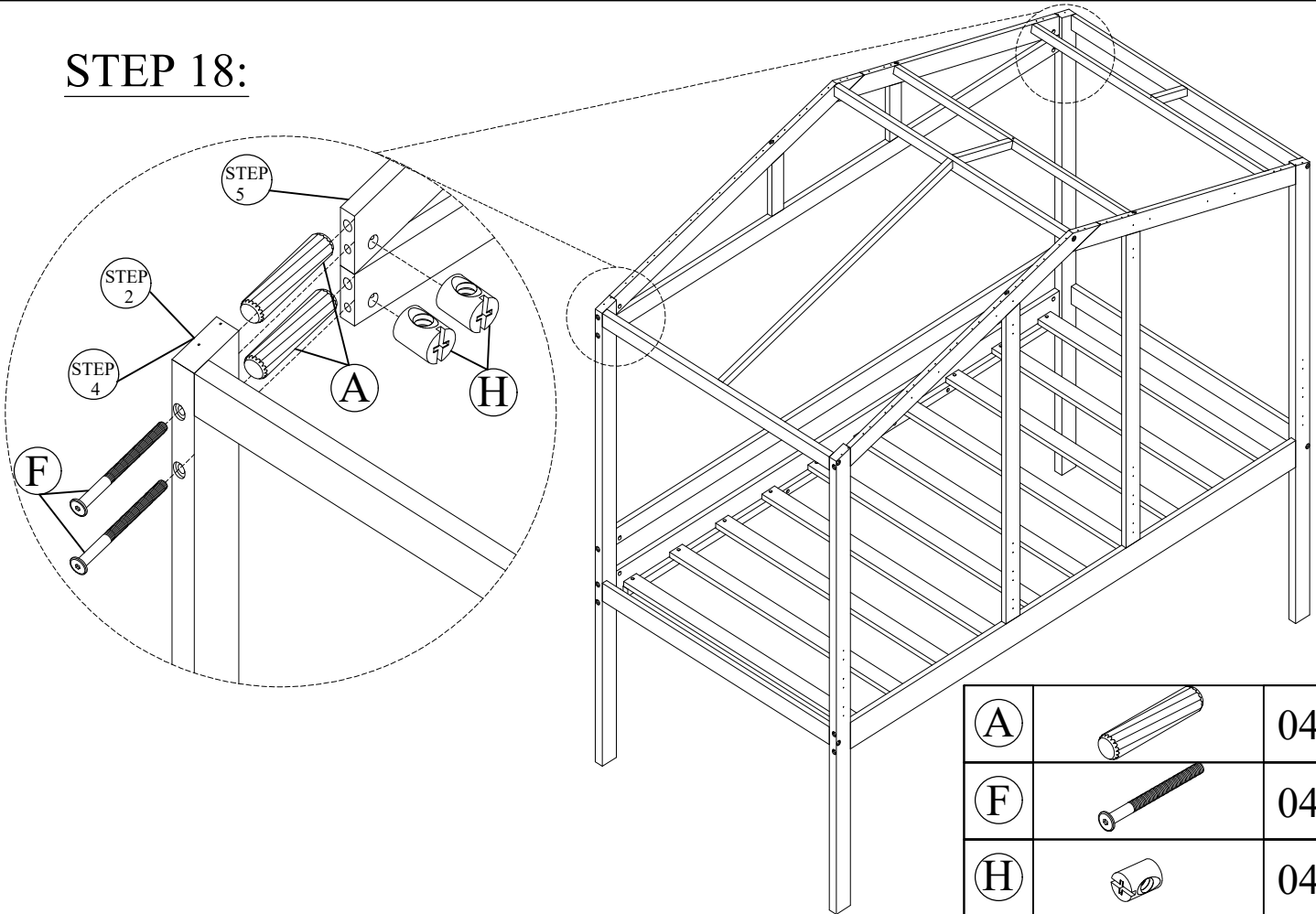


STEP 17:




(A)		02
(D)		01

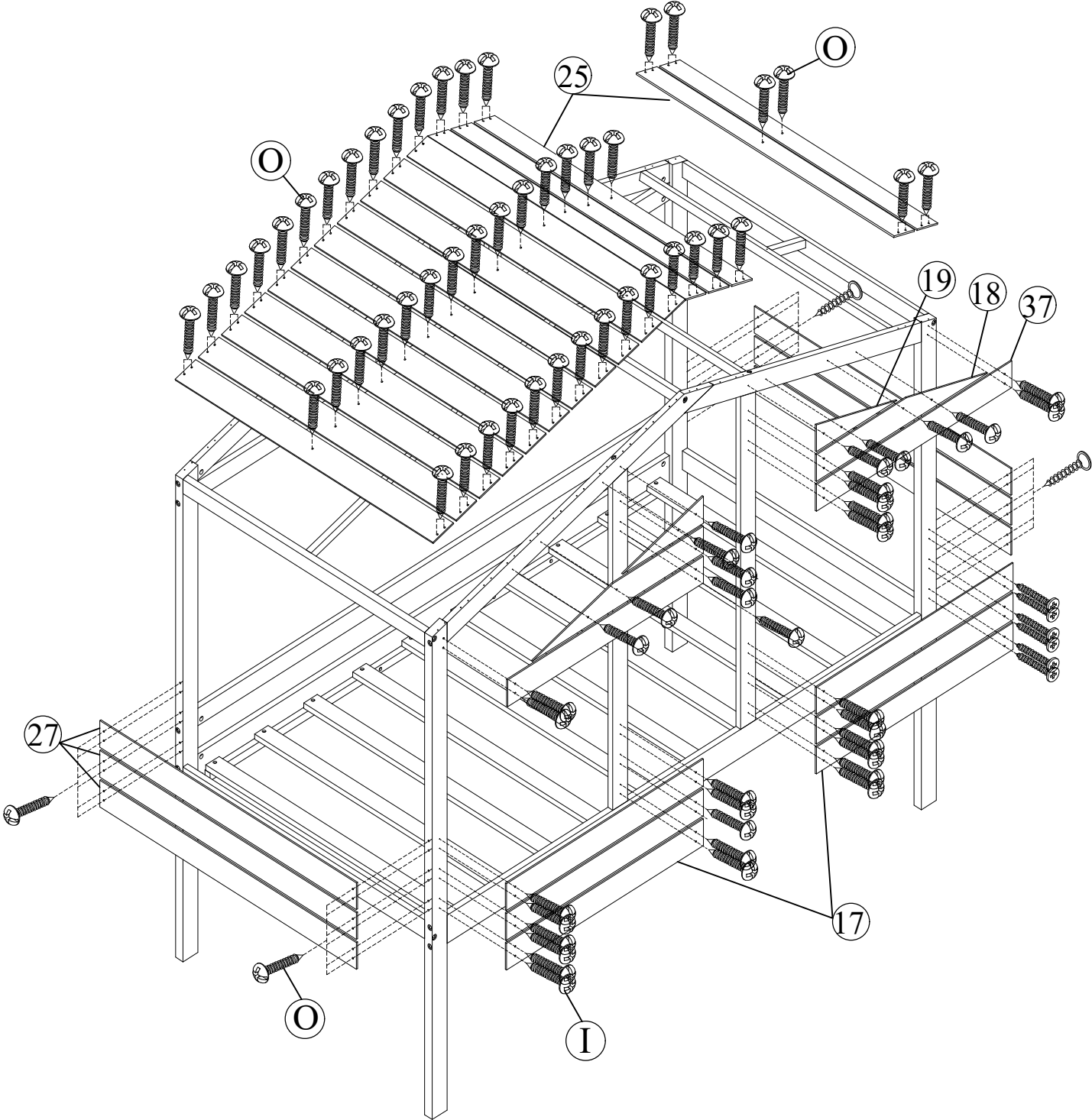
STEP 18:



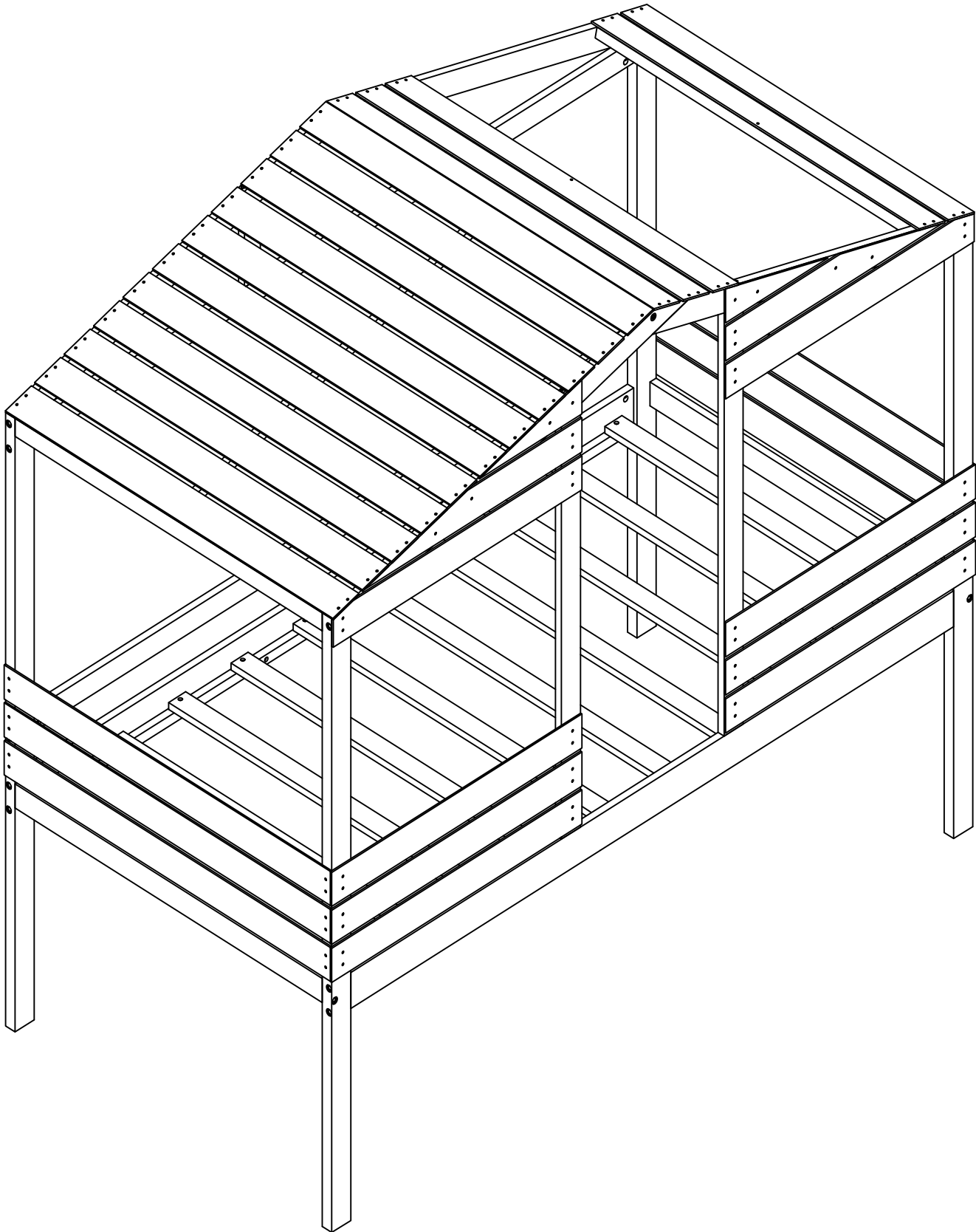
(A)		04
(F)		04
(H)		04

STEP 19:

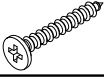
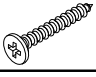

O		150
---	--	-----

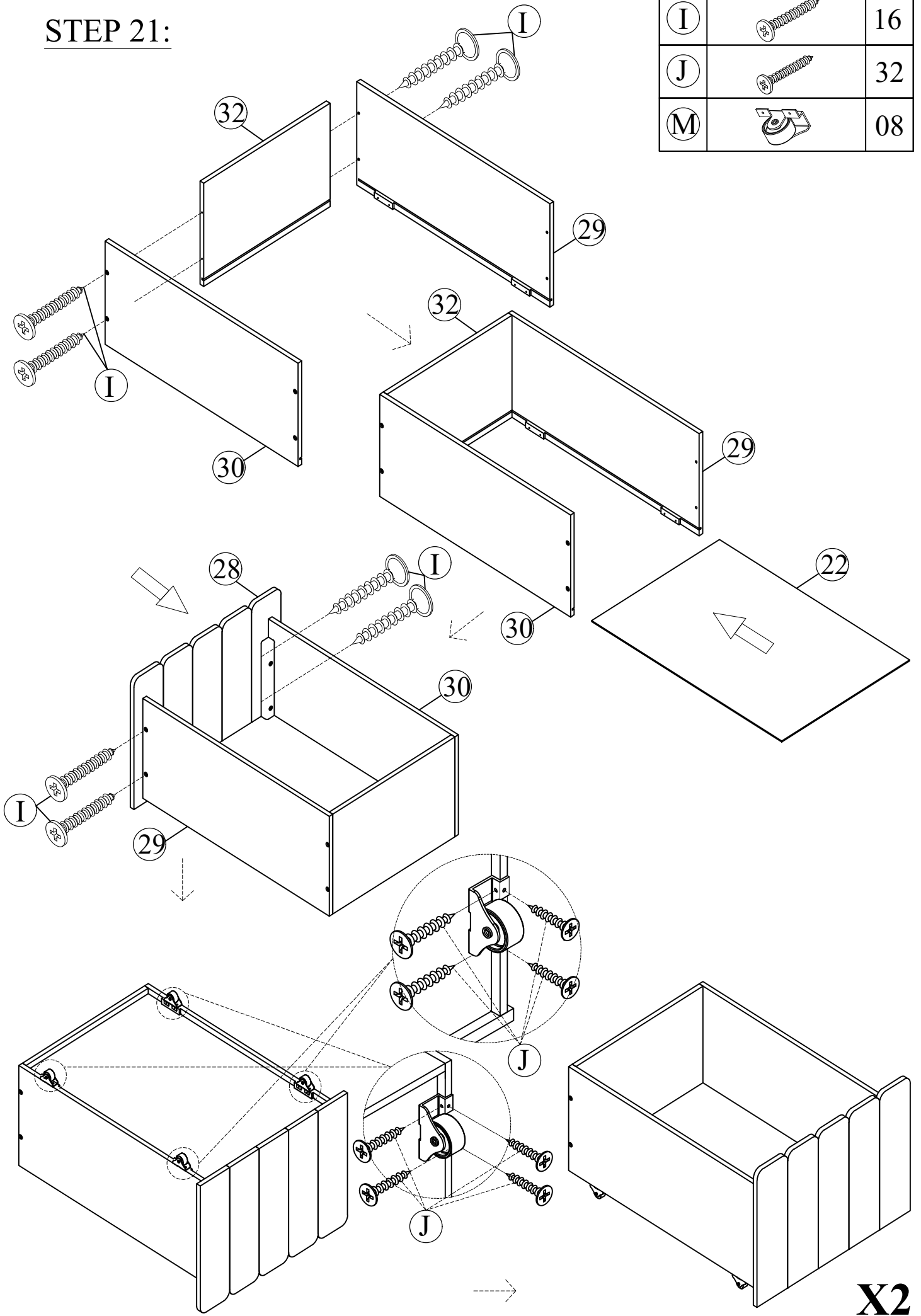


STEP 20:

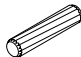
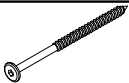
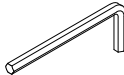


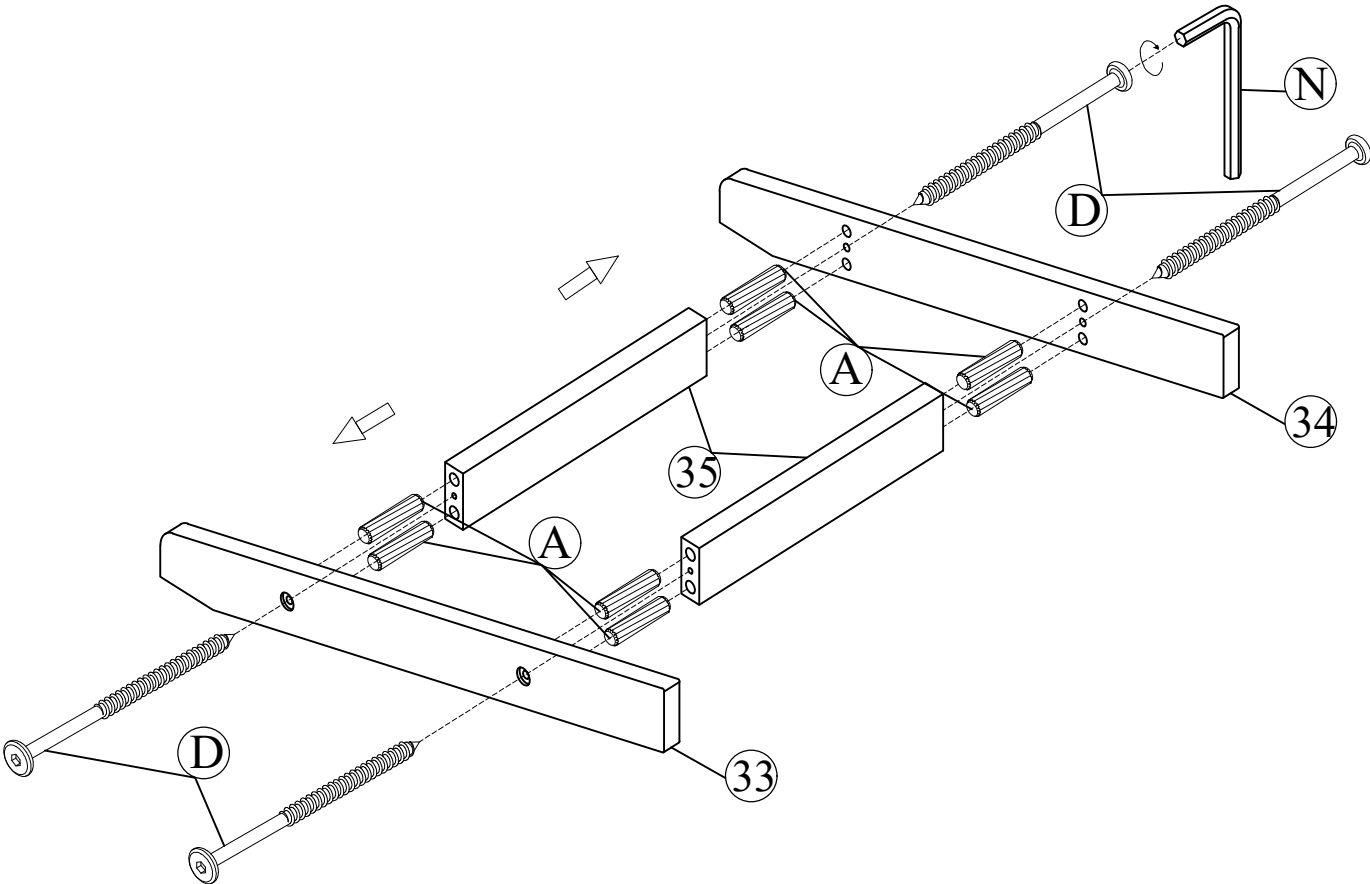
STEP 21:

I		16
J		32
M		08

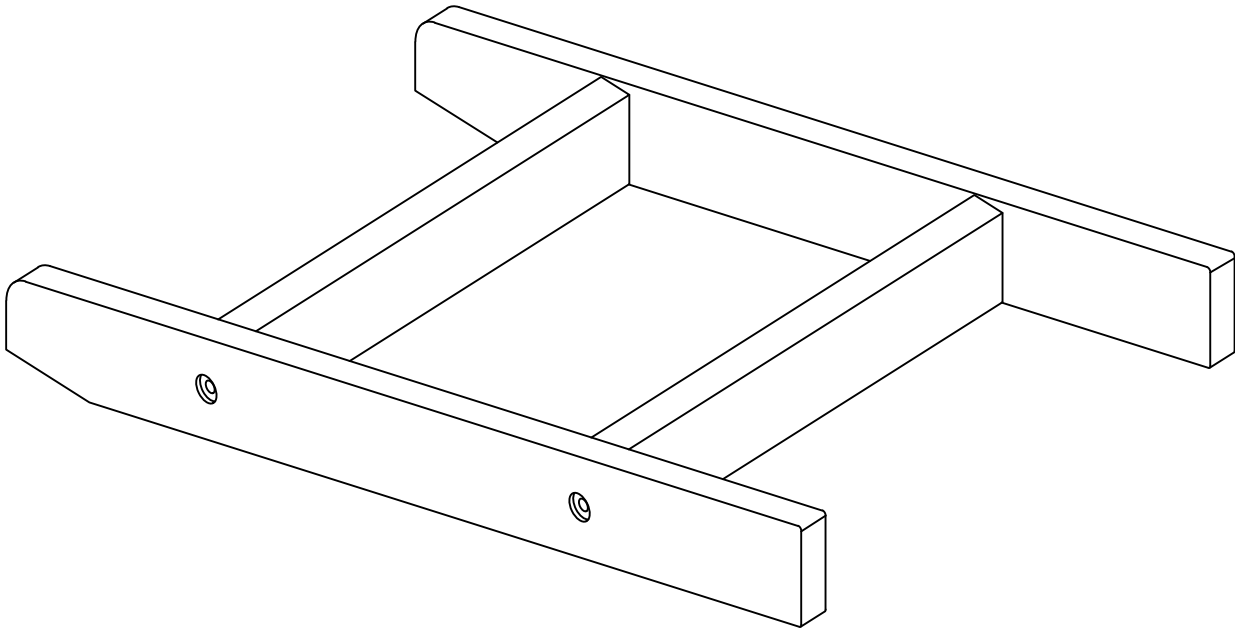


STEP 22:

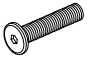

(A)		08
(D)		04
(N)		01

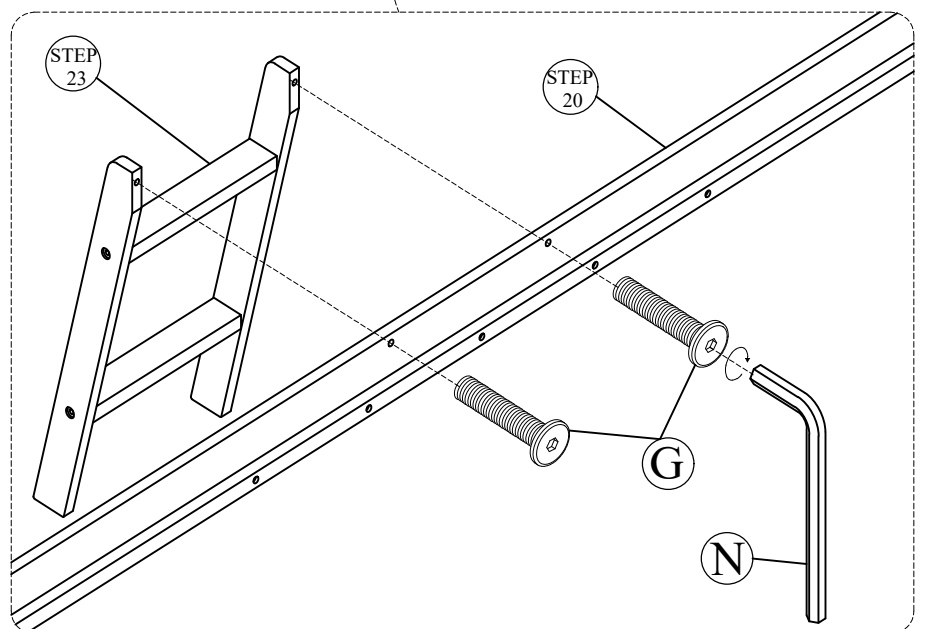
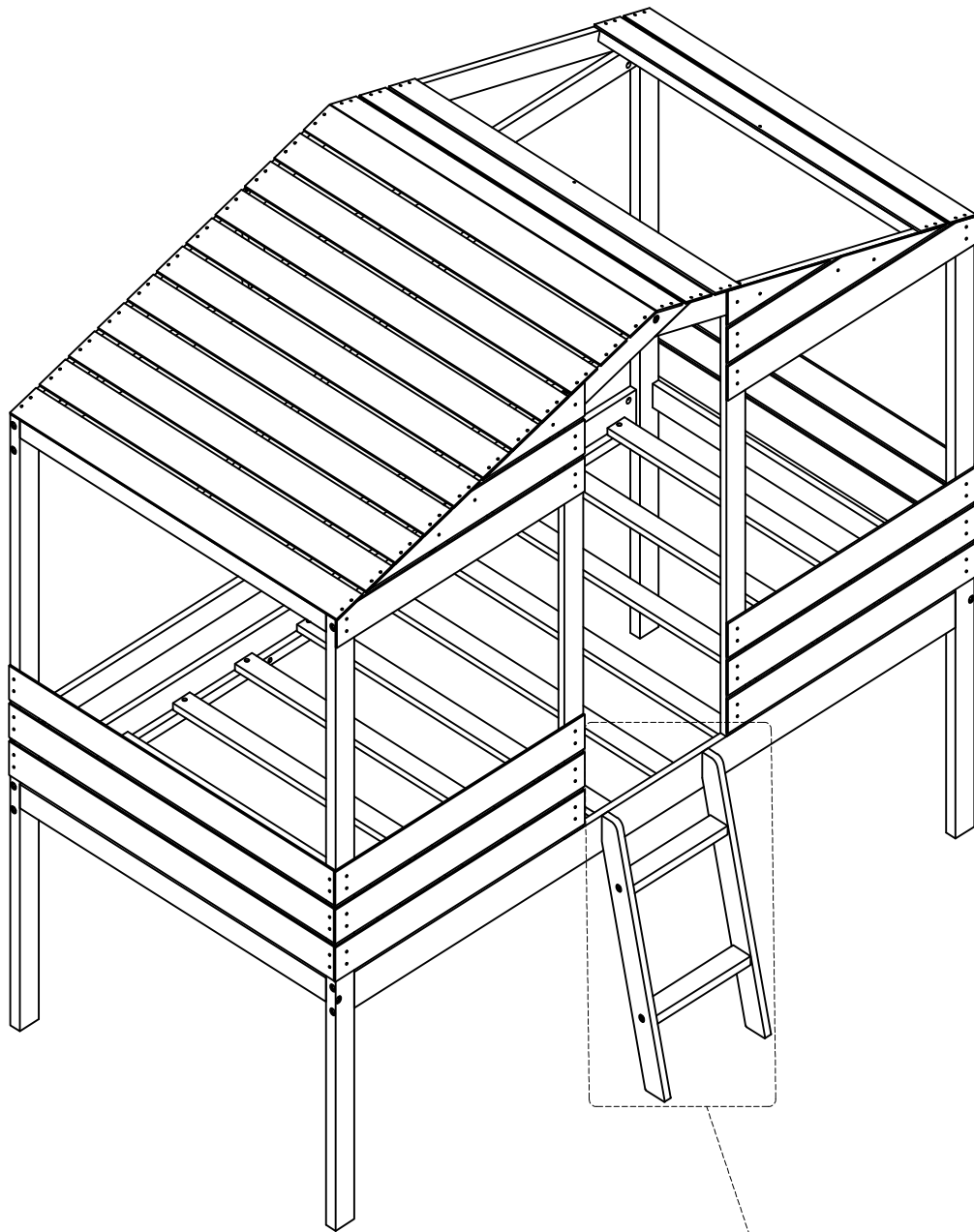


STEP 23:

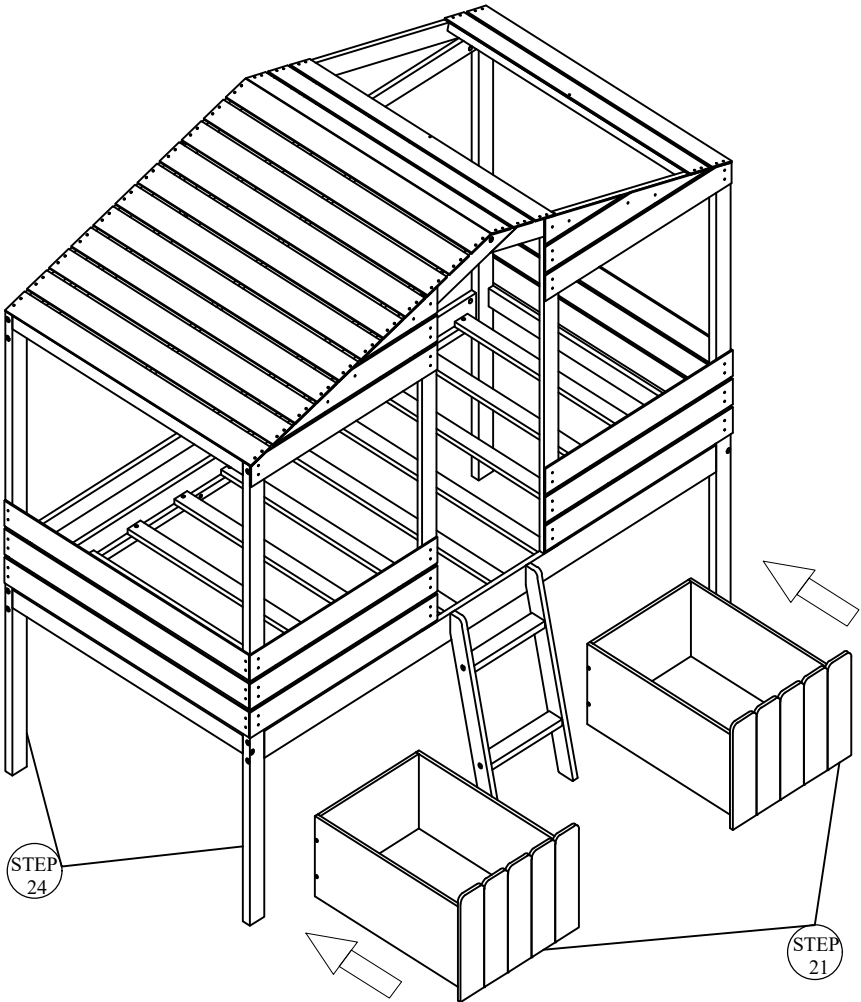


STEP 24:

G		02
N		01



STEP 25:



FINAL:

