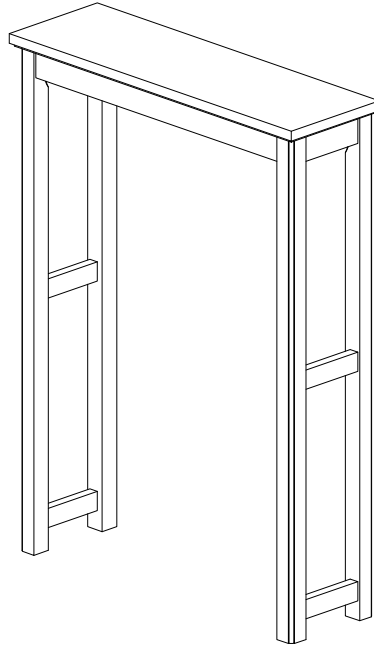


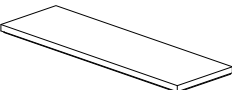
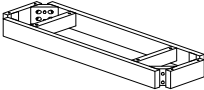
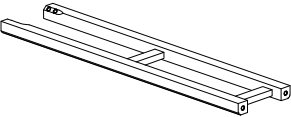
Toilet Base

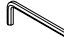


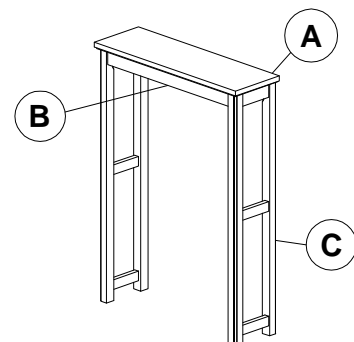
Thank you for purchasing the Toilet Base. We have found it helpful to have a second person present during the assembly process.

Toilet Base Assembly Instructions

Parts

NO.	DRAWING	DESCRIPTION	QTY
A		TABLE TOP	1
B		SUPPORT FRAME	2
C		SIDE FRAME	2

NO.	DRAWING	DESCRIPTION	QTY
D		M6x45MM BOLT	12
E		ALLEN KEY	1
F		ANTI-TIP	1



Step 1

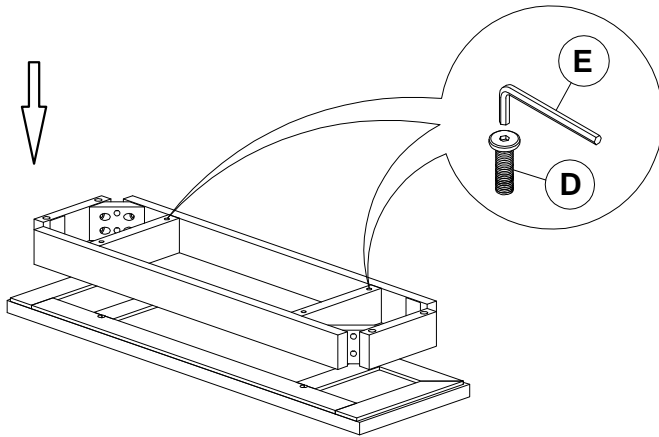
Read through these instructions thoroughly before beginning assembly. We have found this to be of great value when assembling this product.

Step 2

Remove all parts and hardware from packing material. Wooden pieces should be placed on a non abrasive surface to prevent damage to the finish

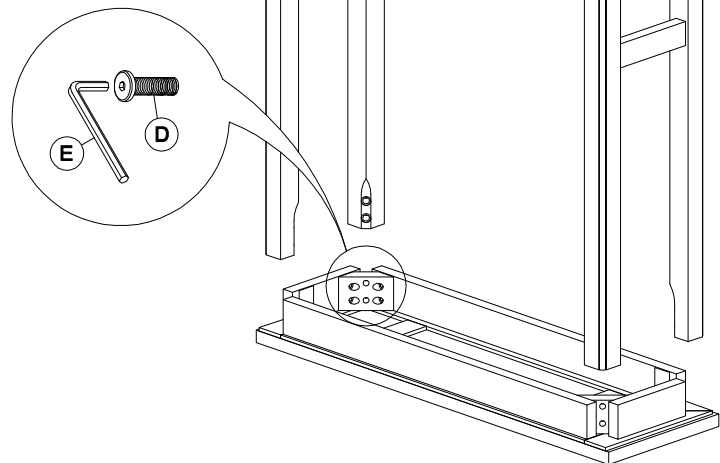
Step 3

Lay Table Top Assembly (A) upside down on a non abrasive surface. Attach Support Frame (B) to Table Top (A) using 4-M6x45MM Hex Bolts (D).NOTE: TIGHTEN ALL BOLTS AT THIS TIME !



Step 4

Attach Side Frame (C) to Support Frame (B) using 8-M6x45MM Hex Bolts (D).
NOTE: TIGHTEN ALL BOLTS AT THIS TIME !



CARE

Clean with a non abrasive cloth using a mild soap. Make sure to wipe dry.
