

# INSTRUCTION MANUAL



---

# HELP CENTER

---

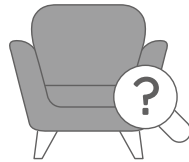


Question about your product? We're here to help. Contact us at:

[taohfe@gmail.com](mailto:taohfe@gmail.com)



Chat Support



Product Inquiry



Orders FAQ

---

**Q:** What should I do if I have a problem with my purchased item?

**A:** Step 1: Go to the product page

Step 2: Click the [ Sold by **TAOHFE** ]

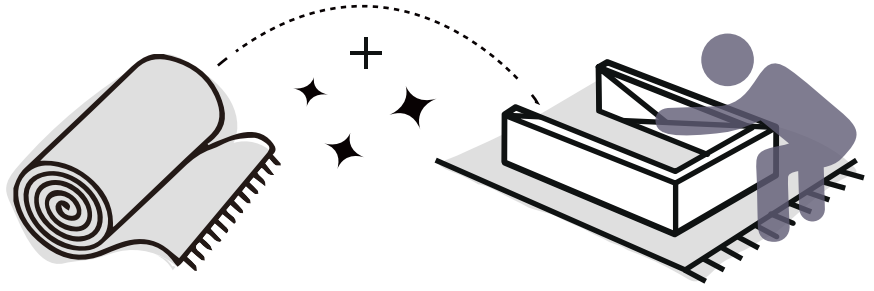
Step 3: Click the **Ask the question**

Step 4: Describe your problem and we will offer the best solution to you within 24hrs

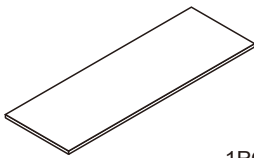
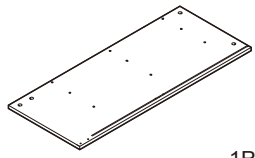
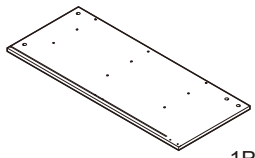
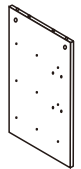
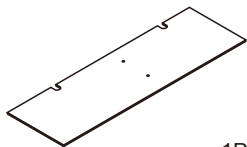
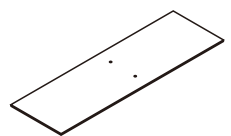
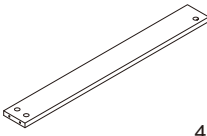
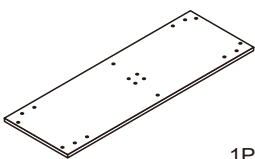
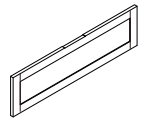
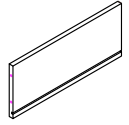
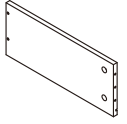
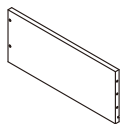
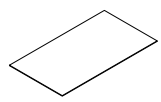
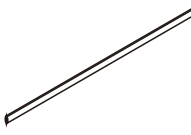
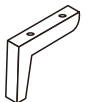
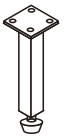
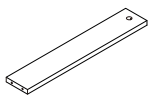
# TOOLS REQUIRED



**PHILLIPS  
SCREWDRIVER**



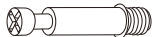
# PARTS

- 1** Top panel  
  
1PC
- 2** Left side panel  
  
1PC
- 3** Right side panel  
  
1PC
- 4** Middle panel  
  
1PC
- 5** Back panel  
  
1PC
- 6** Back panel  
  
1PC
- 7** Support panel  
  
4PCS
- 8** Bottom panel  
  
1PC
- 9** Drawer front panel  
  
6PCS
- 10** Drawer back panel  
  
6PCS
- 11** Drawer left side panel  
  
6PCS
- 12** Drawer right side panel  
  
6PCS
- 13** Drawer bottom panel  
  
6PCS
- 14** H channel fit  
  
1PCS
- 15** Leg  
  
4PCS
- 16** Leg  
  
1PCS
- 17** Drawer support panel  
  
6PCS

# HARDWARE

A

Cam bolt



44PCS

B

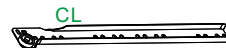
Cam lock



44PCS

CL

Drawer slide



6PCS

CR

Drawer slide



6PCS

DL

Drawer slide



6PCS

DR

Drawer slide



6PCS

E

Screw



M3x12mm

72PCS

F

Screw



M4X35mm

42PCS

G

Wooden dowel



32PCS

H

Screw



M3x16mm

12PCS

I

Corner brace



12PCS

J

Handle



6PCS

K

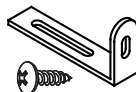
Sleeve anchor



2PCS

L

Anti-dumping kit



2PCS

M

Bolt



M6x25mm

8PCS

N

Screw



M3.5x12mm

12PCS

O

Screw



M2.5x10mm

4PCS

P

Screw



M4x12mm

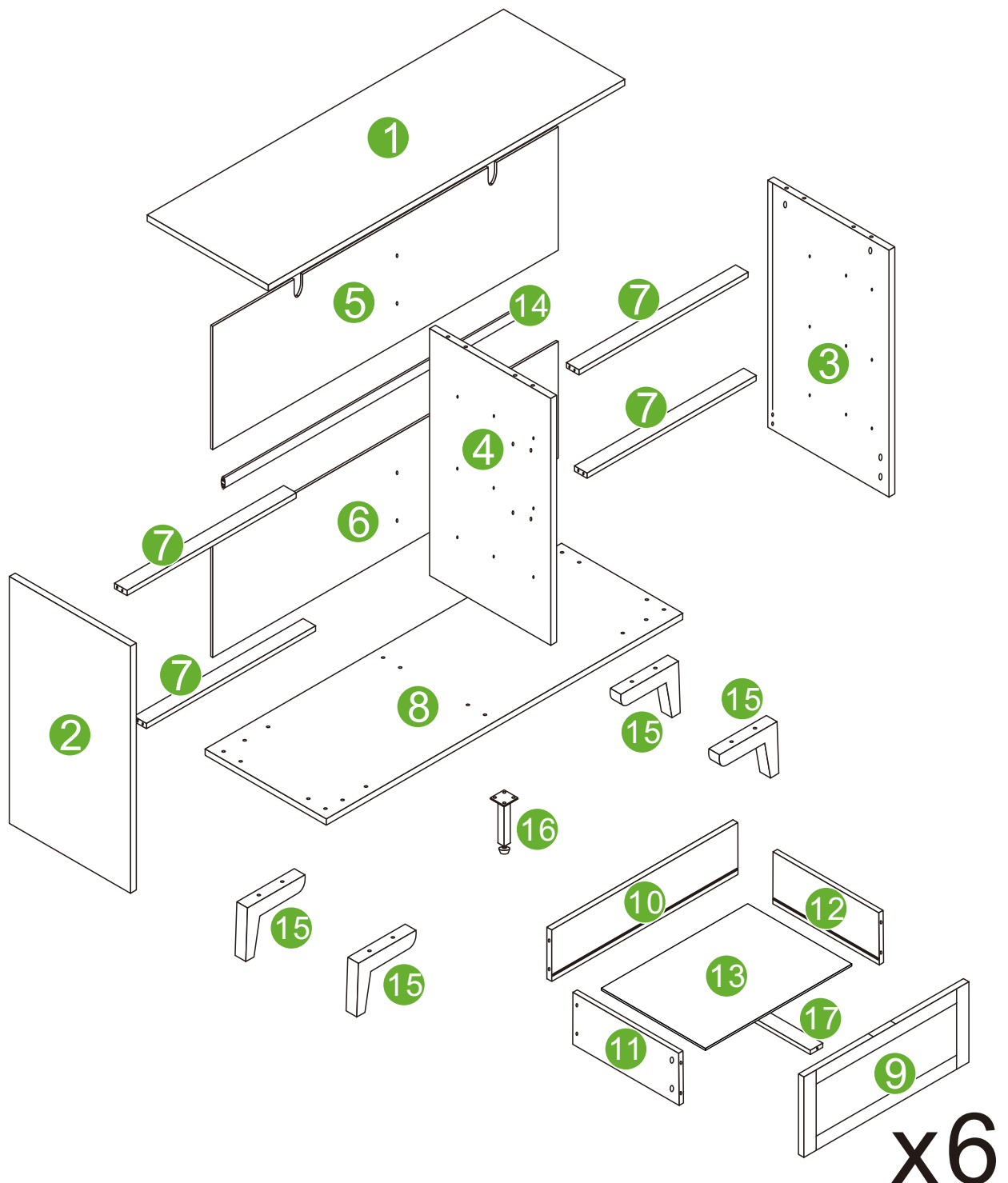
4PCS

## ! NOTICE

Please retain these instructions for future reference.

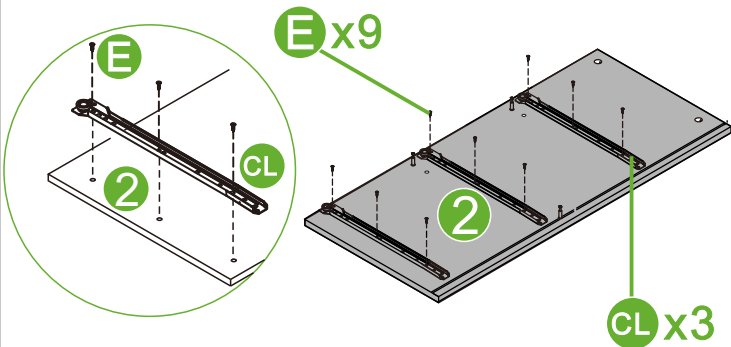
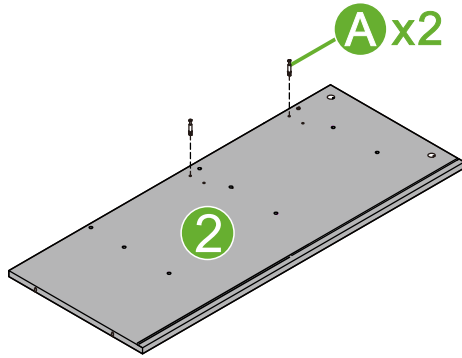
- Make sure that all screws are tightened. Check these regularly. Do not overtighten the screws!
- Do not use or store this item in the proximity of open flame or flammable/combustible chemicals.
- If any parts are missing, broken, damaged, or worn, stop using this item until repairs are made and/or factory replacement parts are installed.
- When cleaning do not use any abrasive or caustic agents or hard brushes etc.
- Clean the surfaces with a damp, lint-free cloth and wipe with a dry cloth.
- Carefully remove all packing material and discard it sorted. Make sure that you do not accidentally throw away mounting material.
- Any question or problem, please contact us freely!

## PRODUCT ASSEMBLY



**1**

Attach cam bolt A to panel #2.

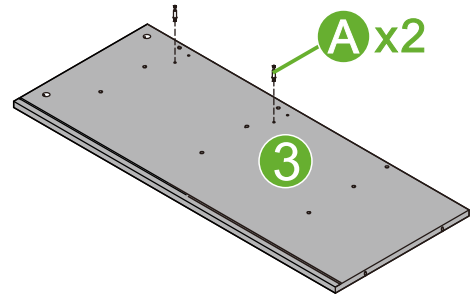


CL x3
Ax2
Ex9

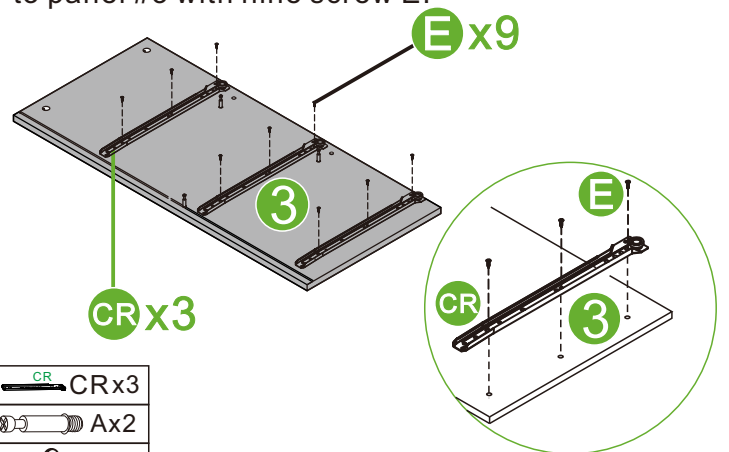
Then attach three drawer slider CL to panel #2 with nine screw E.

**2**

Attach two cam bolt A to panel #3.



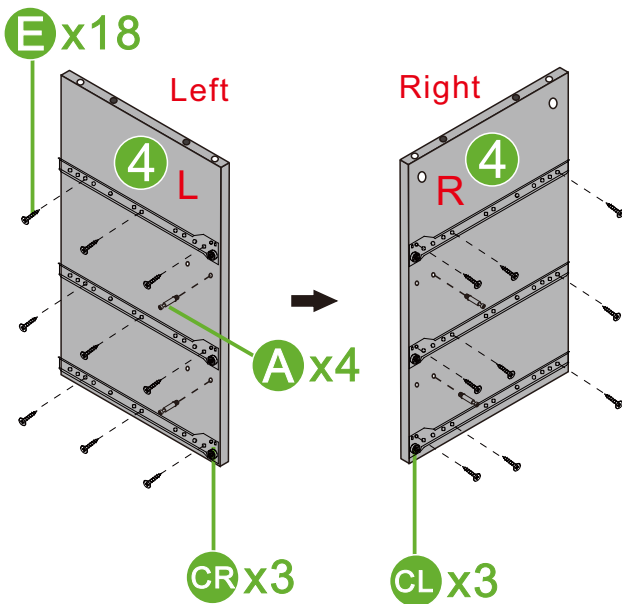
Then attach three drawer slider CR to panel #3 with nine screw E.



CR x3
Ax2
Ex9

**3**

Attach two cam bolt A to panel #4.  
Then attach three drawer slider CR to panel #4 with nine screw E.

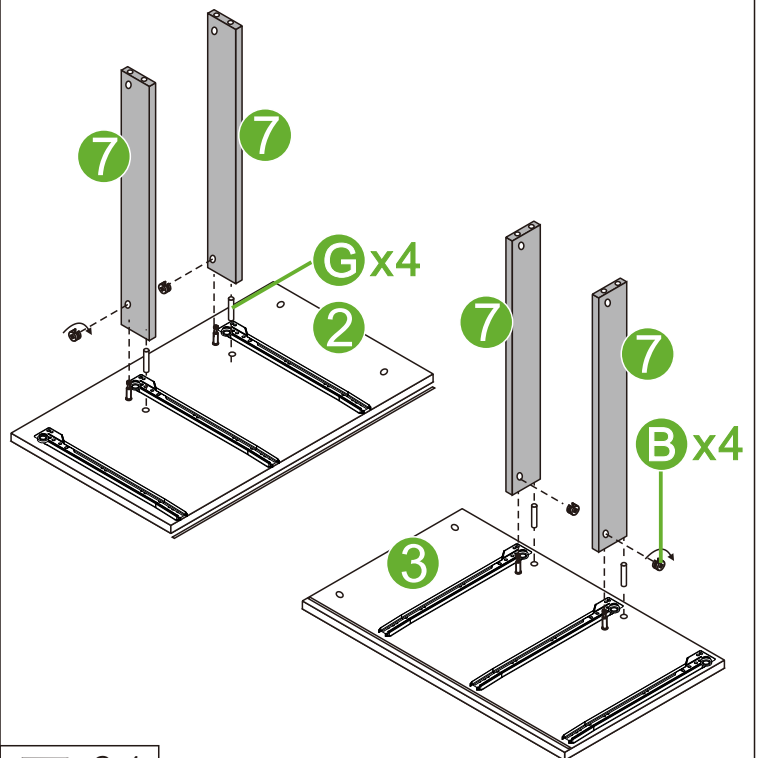


Ax4
CR x3
CL x3
Ex18

Attach two cam bolt A to panel #4  
Then attach three drawer slider CL to panel #4 with nine screw E.

**4**

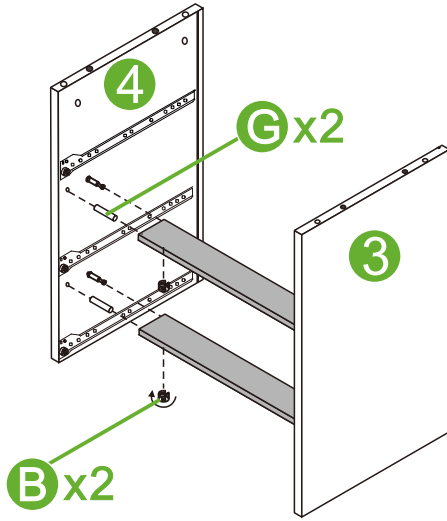
Insert four wooden dowel to panel #2 and panel #3, two dowels per panel.  
Attach four panel #7 to panel #2 and #3 then secure with four cam bolt B, one cam lock per panel.



Gx4
Bx4

5

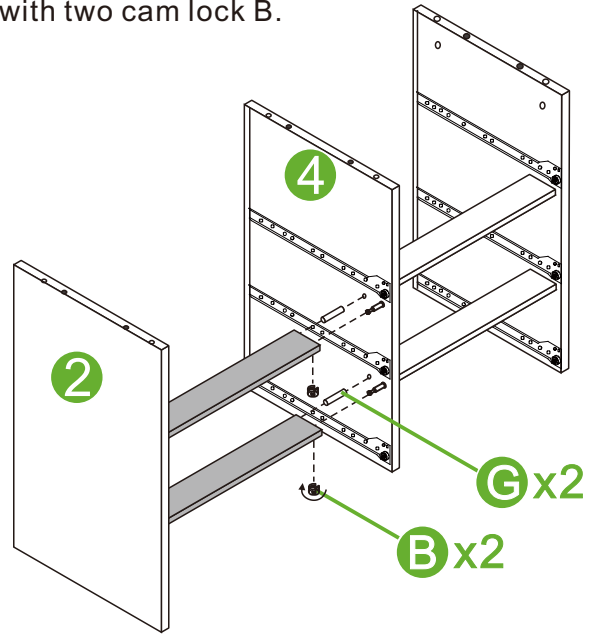
Connect panel #7 and panel #4 with two wooden dowel G, secure them with two cam lock B.



	Bx2
	Gx2

6

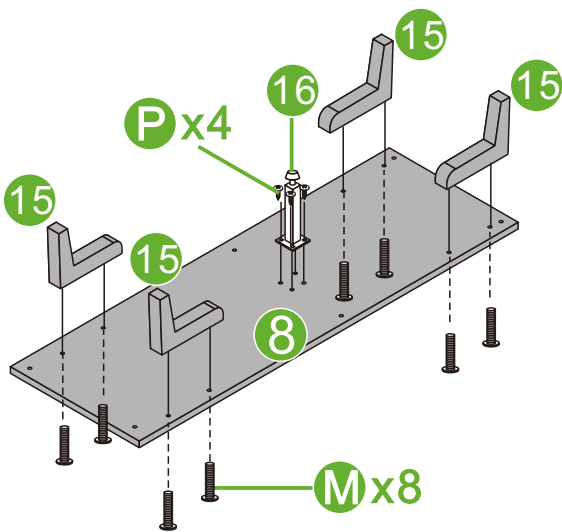
Attach panel #7 to panel #4 with two wooden dowel G, secure them with two cam lock B.



	Bx2
	Gx2

7

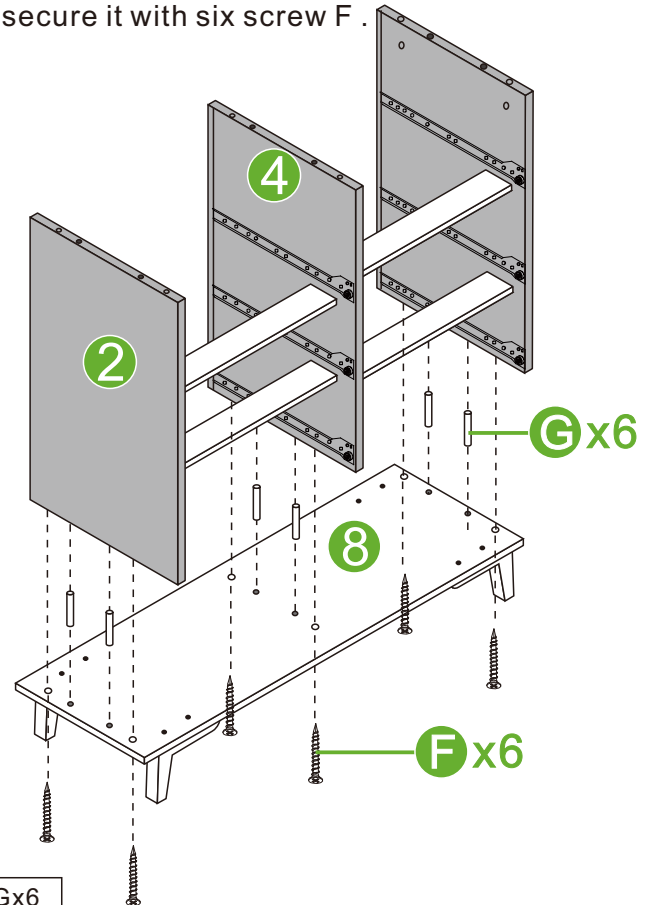
Attach four leg with eight screw M. Attach middle leg with four screw Q.





	Px4
	Mx8

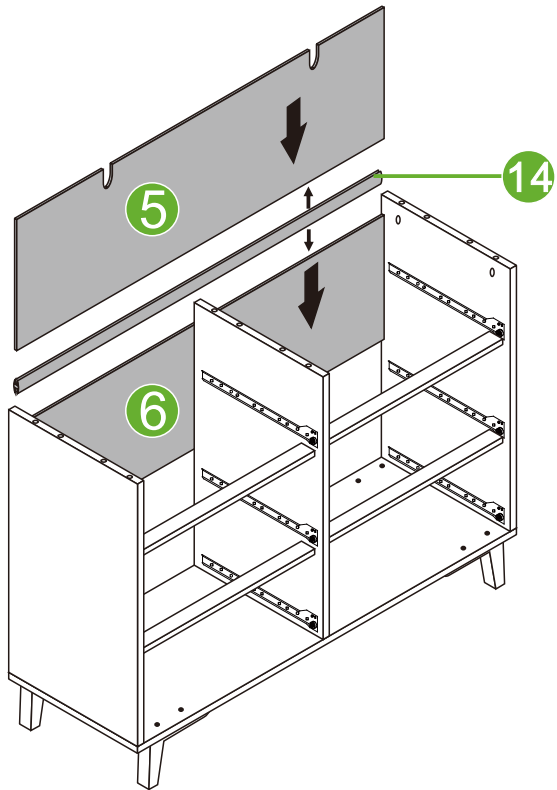
8

Insert six wooden dowel G to panel #8, then attach frame to the bottom as shown, secure it with six screw F.



	Gx6
	Fx6

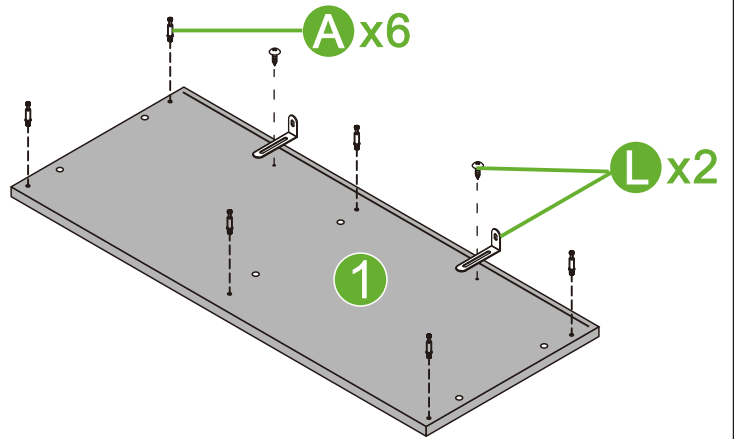
9



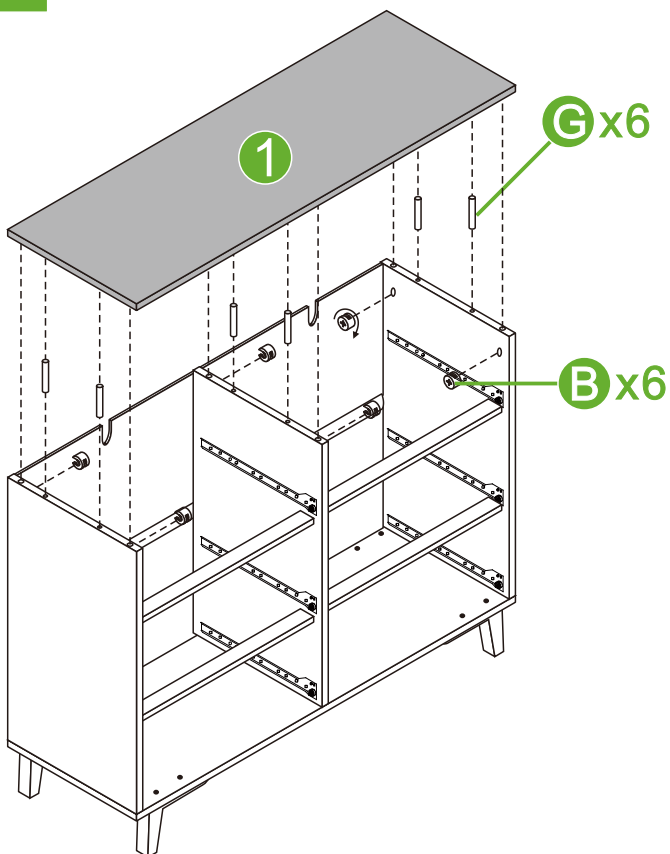
Insert panel #5, panel #6, and panel #14 as shown.

10

Attach six cam bolt A to panel #1 as shown, attach two anti-tip L with two screw L.



11

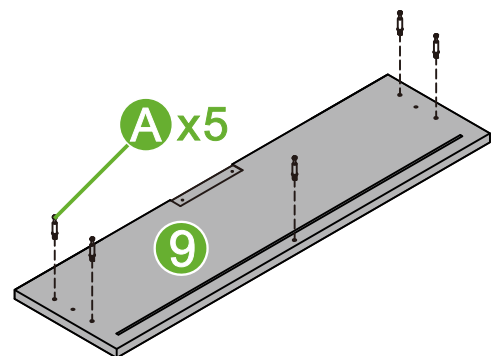


Insert six wooden dowel G, then attach panel #1 to the bottom frame secure it with six cam lock B.

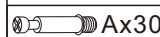


12

Attach thirty cam bolt A to six panel #9, five cam bolts per panel.

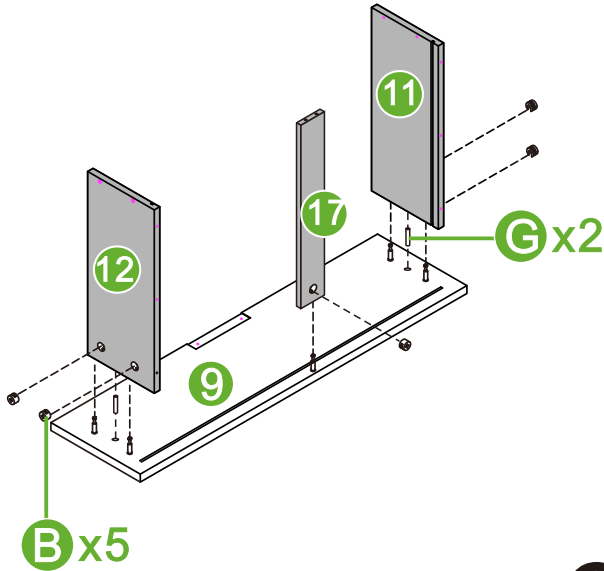


x6



# 13

Insert two wooden dowel G to panel #9 ,  
attach panel #11,#12 and #17 to panel #9 and secure  
with five bolt B , repeat it and assemble six drawer .

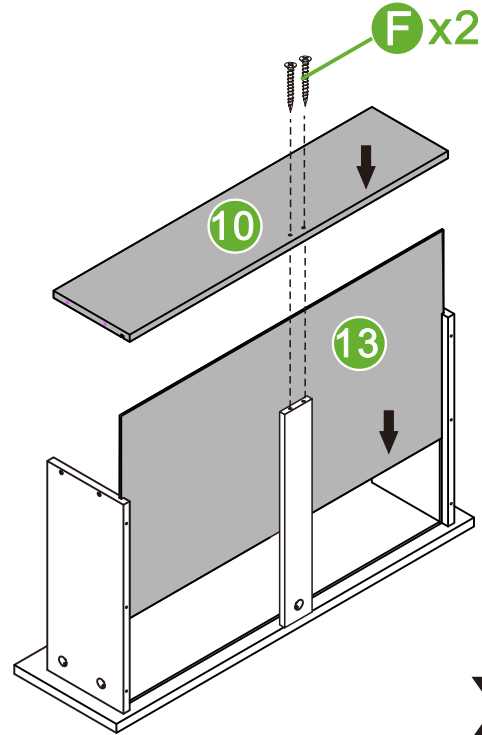


x6

- Gx12
- Bx30

# 14

Insert panel #13 as shown ,  
then attach panel #10 to panel # 11,#12, and #17 ,  
secure it with two screw F ,  
repeat it and assemble six drawer .

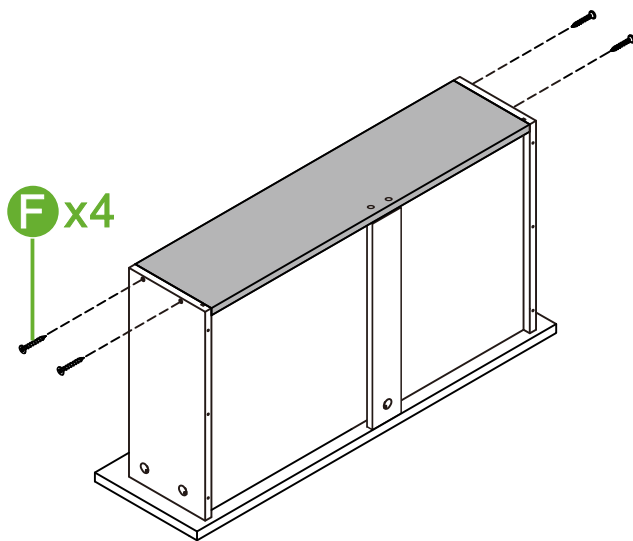


x6

- Fx12

# 15

Secure panel #10 with four screw F ,  
repeat it to assemble six drawer.

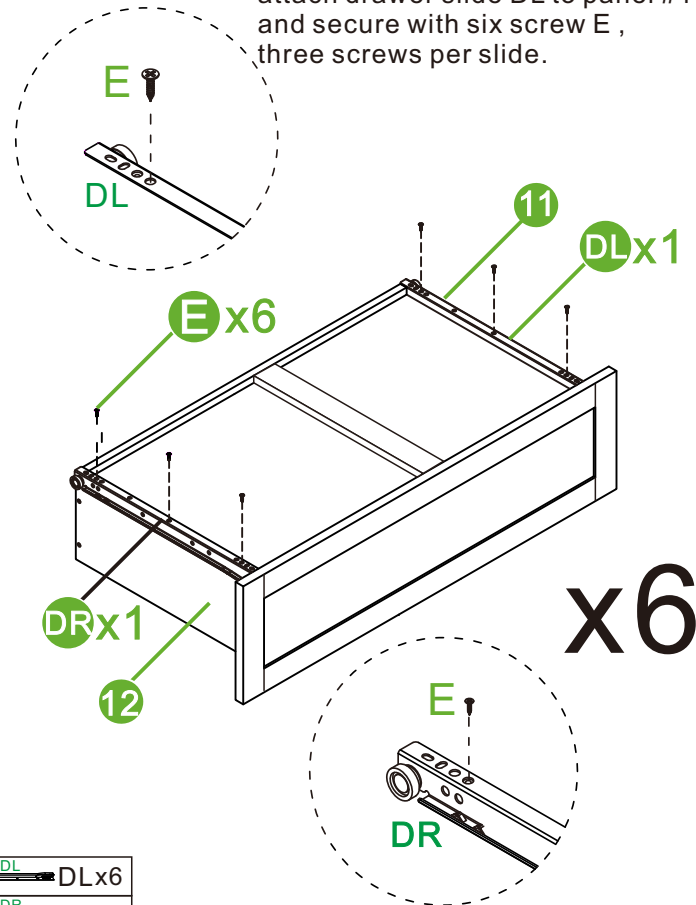


x6

- Fx24

# 16

Attach drawer slide DR to panel #12,  
attach drawer slide DL to panel #11 ,  
and secure with six screw E ,  
three screws per slide.

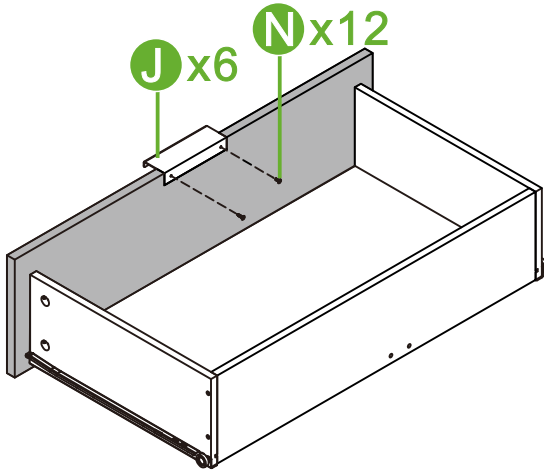


x6

- DLx6
- DRx6
- Ex36

# 17

Attach handle J with screw N as shown.

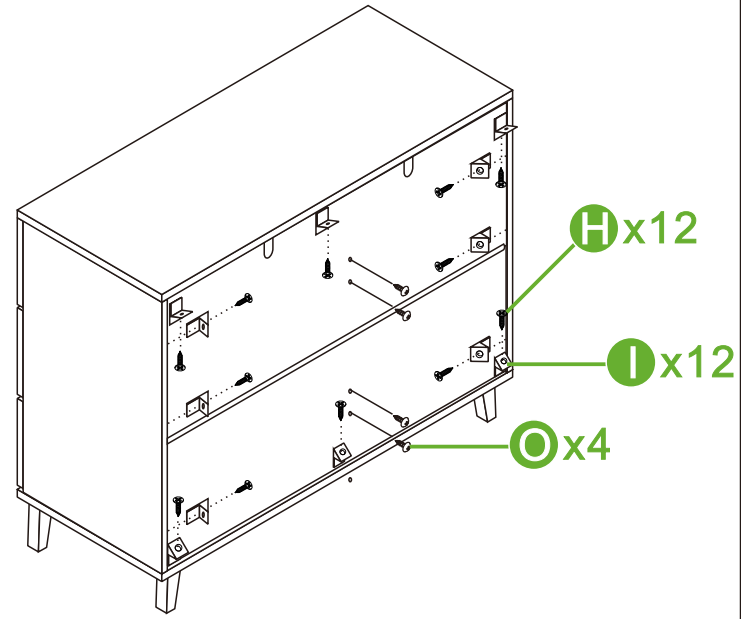


	Jx6
	Nx12

# x6

# 18

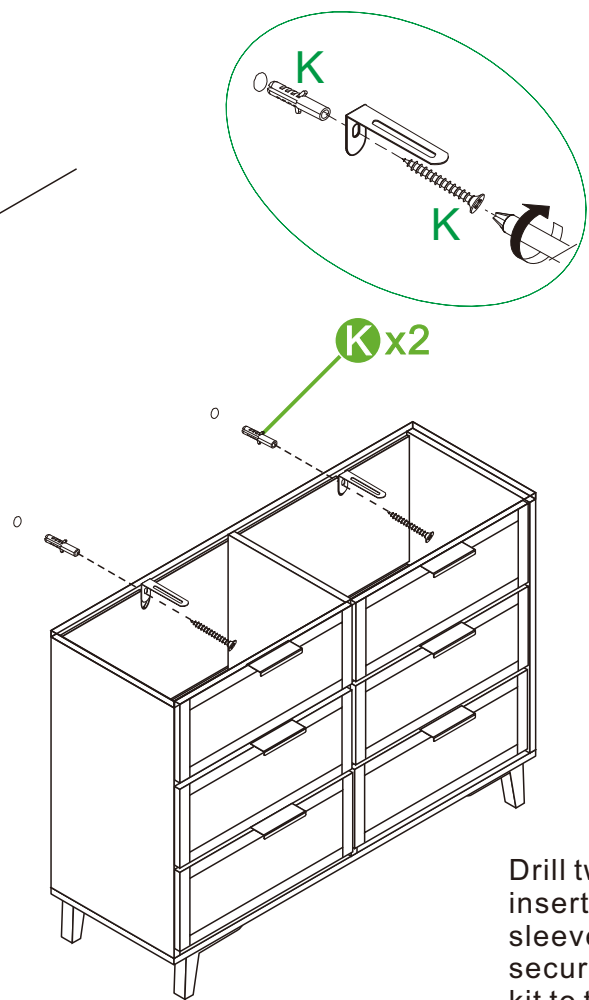
Insert twelve corner brace I as shown , and secure with twelve screw H. Secure the back panel #5 and #6 to panel #4 with four screw O , two screws per panel .



	Hx12
	Ix12
	Ox4

# 19

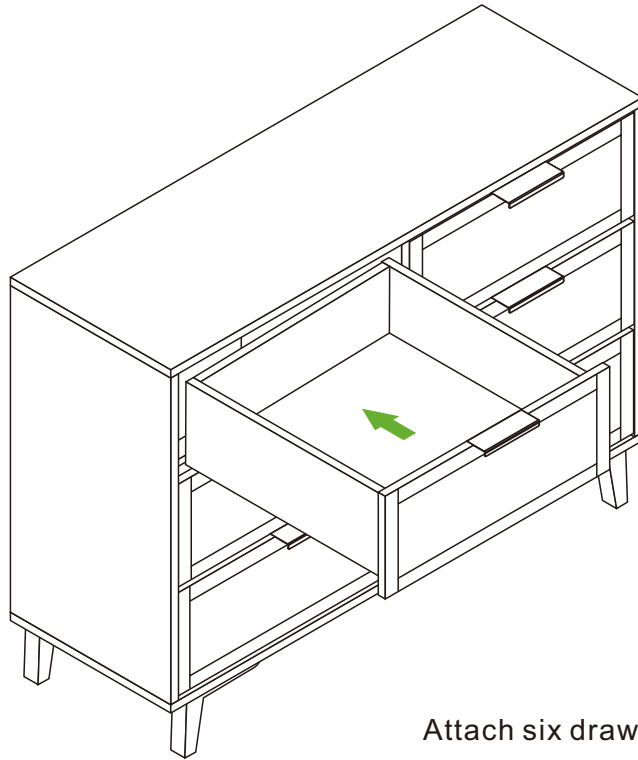
WALL



	Kx2
--	-----

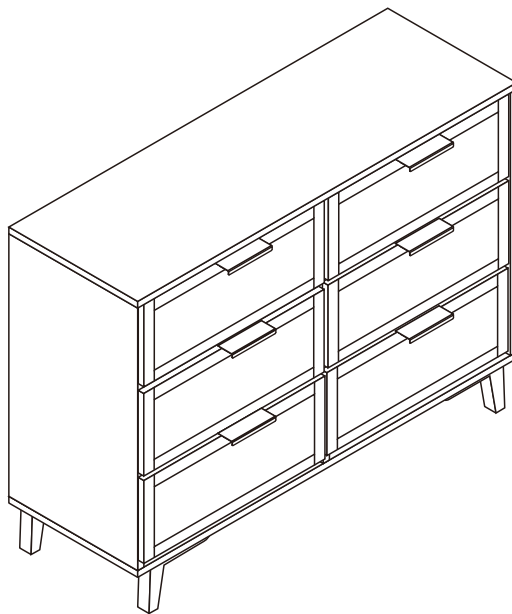
Drill two holes in the wall then insert anchor sleeve K into the holes , secure the anti-dumping kit to the wall with two screw .

20



Attach six drawers as shown.

21





---

**Thank you for choosing TAOHFE  
We feeling the joy of serving you best!**

---

Have difficulty in assembly?  
Package broken or item damaged?  
The function doesn't work?  
Please feel free to contact our  
Support Team via Amazon Message!