

GENERAL SAFETY RULES	3
COMPONENT LIST	4-5
PROTECTIVE TAPE	6
CLEANING INSTRUCTIONS	6
VACUUM CHAMBER SEALS	7
COOLING FAN	7
THERMAL OVERLOAD PROTECTOR	7
LIMIT SWITCH	7
GROUNDING INSTRUCTIONS	8
POWER SUPPLY	8
CONTROL BUTTONS	9
OPERATING INSTRUCTIONS	9-10
PREPARING VAC BAGS FROM A ROLL	11
SERVICE INSTRUCTIONS	11-12
REPLACING THE FUSE	12
STORAGE LIFESPAN GUIDELINES	13
FOOD SAFETY	14
WARRANTY	16
REGLAS IMPORTANTES DE SEGURIDAD	18
LISTA DE COMPONENTES	20-21
CINTA PROTECTORA	22
INSTRUCCIONES DE LIMPIEZA	22
SELLOS DE LA CÁMARA DE VACÍO	23
VENTILADOR DE REFRIGERACIÓN	23
PROTECTOR DE SOBRECARGA TÉRMICA	23
INTERRUPTOR DE LÍMITE	23
INSTRUCCIONES PARA HACER TIERRA	24
FUENTE DE ALIMENTACIÓN	24
BOTONES DEL CONTROL	25
INSTRUCCIONES DE FUNCIONAMIENTO	25-26
PREPARACIÓN DE BOLSAS AL VACÍO DE UN ROLLO	27
INSTRUCCIONES DE MANTENIMIENTO	27-28
REEMPLAZO DEL FUSIBLE	28
PAUTAS SOBRE LA VIDA EN ALMACENAMIENTO	29
SEGURIDAD DE LOS ALIMENTOS	30
INFORMACIÓN DE GARANTÍA WESTON	32
IMPORTANTES RÈGLES DE SÉCURITÉ	34
DESCRIPTION DE LA PIÈCE	36-37
RUBAN PROTECTEUR	38
INSTRUCTIONS DE NETTOYAGE	38
GARNITURE DU CANAL D'ASPIRATION	39
VENTILATEUR	39
LIMITEUR DE SURCHARGE	39
INTERRUPTEUR DE POSITION	39
INSTRUCTIONS DE MISE À LA TERRE	40
ALIMENTATION ÉLECTRIQUE	40
TOUCHES DE COMMANDE	41
MODE D'EMPLOI	41-42
FABRICATION D'UN SAC SUR MESURE AVEC UN ROULEAU	43
INSTRUCTIONS D'ENTRETIEN	43-44
REMPLACEMENT DU FUSIBLE	44
GUIDE DE CONSERVATION DES ALIMENTS EMBALLÉS	45
SÉCURITÉ ALIMENTAIRE	46
INFORMATION SUR LA GARANTIE	47

GENERAL SAFETY RULES

READ AND FULLY UNDERSTAND ALL INSTRUCTIONS AND WARNINGS PRIOR TO USING THIS UNIT. YOUR SAFETY IS MOST IMPORTANT! FAILURE TO COMPLY WITH PROCEDURES AND SAFE GUARDS MAY RESULT IN SERIOUS INJURY OR PROPERTY DAMAGE. REMEMBER: YOUR PERSONAL SAFETY IS YOUR RESPONSIBILITY!

1. ALWAYS DISCONNECT Vacuum Sealer from power source before servicing, changing accessories or cleaning the unit.
2. Plug the Vacuum Sealer into a standard 120 Volt, 60 Hz wall outlet. Avoid using extension cords.
3. DO NOT USE the Vacuum Sealer if the Power Cord, Plug or any other parts are damaged. If the Power Cord or the Vacuum Sealer is damaged, call Customer Service. DO NOT ATTEMPT TO REPLACE THE CORD. Be sure to not allow the Power Cord to drape into your work area. Check that all parts are operating properly, and perform the intended functions. Check for any other conditions that may affect the operation.
4. NEVER use any accessories or parts from other manufacturers. Doing so will VOID YOUR WARRANTY and may cause fire, electrical shock or injury.
5. Reduce risk of unintentional starting. Make sure the Power Switch is in the "OFF" position before attaching to the power source.
6. KEEP FINGERS CLEAR of the Heat Sealing Bar and Seal Bar Tape AT ALL TIMES, these areas become HOT. Doing so may cause serious injury.
7. DO NOT take this appliance apart; doing so will VOID YOUR WARRANTY and may result in personal injury.
8. TO PROTECT AGAINST RISK OF ELECTRICAL SHOCK: DO NOT SUBMERGE THE VACUUM SEALER INTO WATER OR LIQUID. BE SURE THE VACUUM SEALER IS DISCONNECTED FROM THE POWER SOURCE BEFORE CLEANING. Follow the "Cleaning Instructions" in this booklet. NEVER rinse appliance Vacuum Sealer under tap.
9. NEVER LEAVE THE VACUUM SEALER UNATTENDED. Be safe, DISCONNECT the Vacuum Sealer from power source before leaving the work area. Close supervision is necessary when any appliance is used near children. This appliance is NOT to be used by children.
10. DO NOT let the Power Cord hang over edge of work surface.
11. Be sure the Vacuum Sealer is on a stable work surface. Be sure all the Vacuum Sealer Feet are stable.
12. DO NOT use the Vacuum Sealer outdoors.
13. DO NOT use the Vacuum Sealer while under the influence of drugs, medications or alcohol.
14. The Vacuum Sealer is ONLY intended to be used with VACUUM BAGS. For best results, only use the recommended vacuum bags. DO NOT USE HOUSEHOLD BAGS! Any other uses of the Vacuum Sealer, other than the uses described in this booklet, could potentially damage the appliance and void the warranty!

SAVE THESE INSTRUCTIONS



QUICK REFERENCE GUIDE

AUTOMATIC VACUUM SEAL

1. Plug power cord into 120-Volt outlet
2. Turn the POWER SWITCH to the "ON" position
3. Place VACUUM BAG OPEN END into VACUUM CHAMBER (See Instruction Book for Details)
4. CLOSE LID - APPLY PRESSURE to HANDLE - push START button
5. The machine will VACUUM and SEAL automatically*

MANUAL SEAL MODE

- MANUAL SEAL MODE is used to disengage the vacuum pump and engage the sealing function manually.
1. Follow steps 1-4 of the Automatic Vacuum Seal Instructions
 2. When the desired vacuum is reached, press the MANUAL SEAL BUTTON
 3. The machine will begin sealing the bag

* The Sealing Time is pre-set to 3 seconds. The Cooling Time is pre-set to 3 seconds. THIS IS ONLY A QUICK REFERENCE GUIDE. THOROUGHLY READ AND UNDERSTAND THE SUPPLIED INSTRUCTION MANUAL BEFORE USING THIS APPLIANCE.

POWER

VACUUM

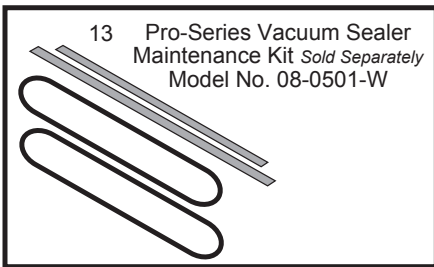
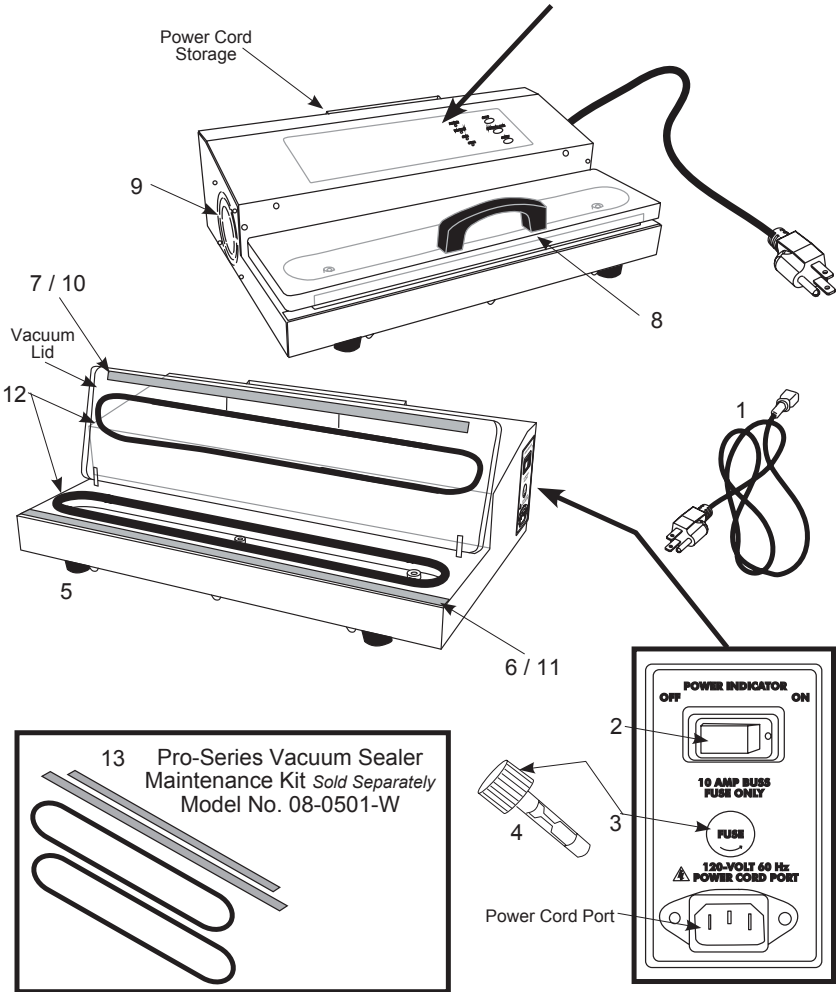
SEAL

COOL

STOP

MANUAL SEAL

START



COMPONENT LIST

DIAGRAM NUMBER	PART DESCRIPTION	PART NUMBER
1	POWER CORD	08-0402
2	POWER INDICATOR SWITCH	65-0110
3	FUSE HOLDER	08-0404
4	10-AMP BUSS FUSE	08-0405
5	RUBBER FOOT (6)	08-0407
6	SEAL BAR HEATING ELEMENT WITH SCREWS	08-0427
7	VACUUM LID SEAL BAR ASSEMBLY	08-0430
8	VACUUM LID HANDLE WITH SCREWS	08-0434
9	INTERNAL COOLING FAN	08-0443
10	10MM UPPER SEAL BAR TAPE	
11	15MM LOWER SEAL BAR TAPE (2)* *NOTE ONE EXTRA PIECE OF SEAL BAR TAPE IS INCLUDED WITH THE ORIGINAL UNIT AS A SPARE.	08-0426
12	OVAL VACUUM CHAMBER SEAL (2)	08-0429
13	MAINTENANCE KIT (SOLD SEPARATELY: INCLUDES 2 OVAL VACUUM CHAMBER SEALS, (1) 10MM UPPER SEAL BAR TAPE, (1) 15MM LOWER SEAL BAR TAPE	08-0501-W

If any components of this unit are broken, the unit does not operate properly or you need a replacement instruction manual, visit us on the web at

WestonProducts.com

Or call Weston Brands LLC Toll Free at 1-800-814-4895

Monday thru Friday 8:00am-5:00pm ET. Outside the U.S. call 001-440-638-3131

PROTECTIVE TAPE

There are two (2) factory installed strips of Seal Bar Tape on the Vacuum Sealer. **DO NOT REMOVE THE TAPE!**

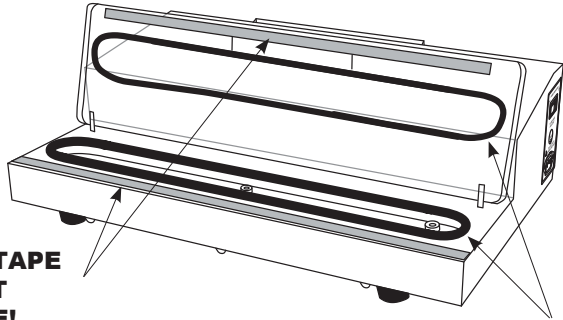


FIGURE 1

**SEAL BAR TAPE
DO NOT
REMOVE!**

**OVAL VACUUM CHAMBER SEALS
DO NOT REMOVE!**

The Seal Bar Heating Element and Vacuum Lid Seal are each covered with Seal Bar Tape to protect vacuum bags during sealing Figure 1. **DO NOT** remove the Seal Bar Tape. See the “Service Instructions” section of this manual for information on replacing the Seal Bar Tape, if necessary.

*NOTE one extra piece of Seal Bar Tape is included with the original unit as a spare.

CLEANING INSTRUCTIONS

! WARNING! Before cleaning, assembling or disassembling the Vacuum Sealer, make sure the Vacuum Sealer is OFF and the PLUG IS REMOVED FROM THE OUTLET/POWER SOURCE!

- . NEVER IMMERSE the Vacuum Sealer in water or other liquid.
- . Make sure the Vacuum Sealer has completely cooled before cleaning it.
- . Wipe clean all outside surfaces including the Plastic Vacuum Chamber and Vacuum Lid with a damp cloth or paper towel. Most household spray cleaners are safe to use. Avoid spraying directly into the vent on the left side of the unit. **DO NOT** use abrasive cleansers! Abrasive cleansers will spoil the clarity of the Vacuum Lid.
- . Be careful while cleaning not to peel or damage the strips of Seal Bar Tape covering the Seal Bar Heating Element and Vacuum Lid Seal.
- . Dry all surfaces and close the Vacuum Lid before storing the Vacuum Sealer.

VACUUM CHAMBER SEALS

There are two factory-installed Oval Vacuum Chamber Seals on the Vacuum Sealer. When the Vacuum Lid is closed and downward force applied, they form an airtight seal so the Vacuum Chamber can be evacuated.

The Oval Vacuum Chamber Seals may wear over time and require replacement. See the "Service Instructions" section of this manual for information on replacing the Oval Vacuum Chamber Seals, if necessary.

COOLING FAN

The Vacuum Sealer has an Internal Cooling Fan that runs whenever the unit is plugged in and turned on. To save energy, turn the unit "OFF" and unplug the Power Cord when not in use.

THERMAL OVERLOAD PROTECTOR

The Vacuum Sealer will automatically shut down if it overheats. If this occurs, turn the unit off and open the Vacuum Lid. Resume normal operation after the unit cools about 20 minutes.

To help prevent overheating, wait at least 20 seconds between cycles with the Vacuum Lid open. Avoid touching the Seal Bar Tape. The Seal Bar Tape will remain hot for a brief period of time after each sealing cycle.

LIMIT SWITCH

The Vacuum Sealer is equipped with a switch to prevent actuation of the Seal Bar Heating Element in manual mode when the Vacuum Lid is open. When the Vacuum Lid is closed, heat made by the Seal Bar Heating Element is absorbed by the vacuum bag and Vacuum Lid Seal.

When the Vacuum Lid is open, there is no means to dissipate the heat and unit damage may occur.

NOTE: The **Vacuum Sealer** is ONLY intended to be used with **VACUUM BAGS**. For best results, only use the recommended vacuum bags with an embossed or mesh lining. **DO NOT USE HOUSEHOLD BAGS!** Any other uses of the **Vacuum Sealer**, other than the uses described in this booklet, could potentially damage the appliance and void the warranty!

GROUNDING INSTRUCTIONS

GROUNDING

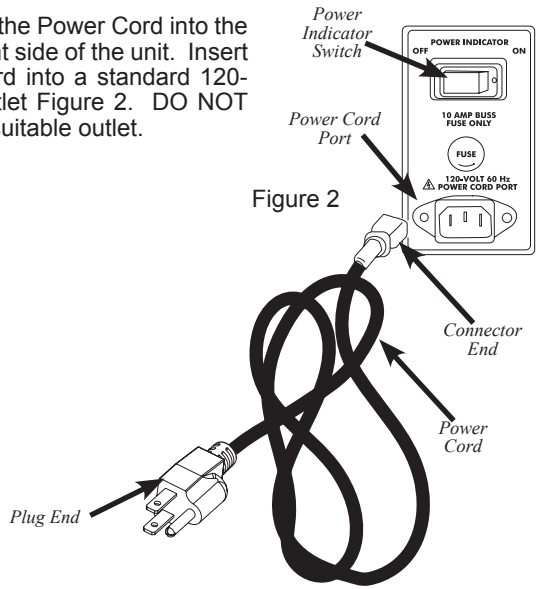
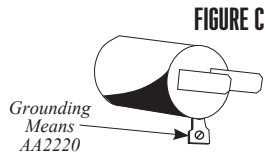
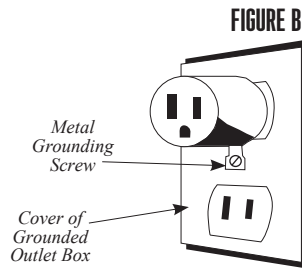
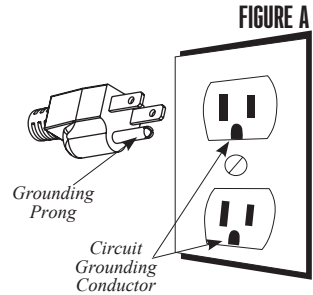
This appliance must be grounded while in use to protect the operator from electrical shock. The appliance is equipped with a 3-conductor cord and a 3-prong grounding type plug to fit the proper grounding-type receptacle. The appliance has a plug that looks like Figure A. An adapter, Figure B, should be used for connecting Figure A plugs to two-prong receptacles. The grounding tab which extends from the adapter must be connected to a permanent ground such as a properly grounded outlet box as shown in Figure C using a metal screw.

EXTENSION CORDS

Use only 3-wire extension cords which have 3-prong grounding-type plugs and a 3-pole cord connector that accepts the plug from the appliance. Use only extension cords having an electrical rating not less than the rating of the appliance. Do not use damaged extension cords. Examine extension cord before using and replace if damaged. Do not abuse extension cord and do not yank on any cord to disconnect. Keep cord away from heat and sharp edges.

POWER SUPPLY

Insert the connector end of the Power Cord into the Power Cord Port on the right side of the unit. Insert the Plug on the Power Cord into a standard 120-volt grounded electrical outlet Figure 2. DO NOT modify the plug to fit an unsuitable outlet.



CONTROL BUTTONS

STOP BUTTON

Pressing the Stop Button stops to halt the vacuuming process Figure 3.

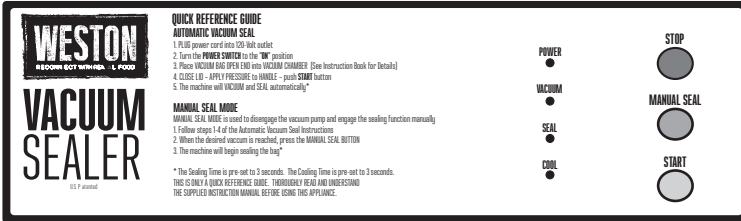
MANUAL SEAL BUTTON

Press the Manual Seal Button during the vacuuming process to initiate the seal (before the preset vacuum pressure is reached) Figure 3.

START BUTTON

Press the Start Button to initiate the vacuuming process (the Vacuum Sealer will automatically seal the bag when a preset vacuum pressure is reached) Figure 3.

FIGURE 3



OPERATING INSTRUCTIONS

WARNING! Before cleaning, assembling or disassembling the Vacuum Sealer, make sure the Vacuum Sealer is OFF and the PLUG IS REMOVED FROM THE OUTLET/POWER SOURCE!

· CAUTION: The Seal Bar Heating Element and Vacuum Lid Seal get HOT! Avoid touching them. Be careful while loading bags into the Vacuum Chamber.

· DO NOT try to open the Vacuum Lid before the vacuum has released or unit damage may occur.

· Wait at least 20 seconds between cycles to avoid overheating the unit.

· DO NOT allow liquids, powder or other small substances to be sucked into the Vacuum Port or unit damage may occur. Press the "Stop" Button to halt the vacuum process. Use the "Manual Seal" Button when vacuum sealing liquids.

· The Vacuum Sealer is ONLY intended to be used with VACUUM BAGS. For best results, only use the recommended vacuum bags. DO NOT USE HOUSEHOLD BAGS! Any other uses of the Vacuum Sealer, other than the uses described in this booklet, could potentially damage the appliance and void the warranty.

1. Make sure the Vacuum Sealer is in the "OFF" position. Attach the Vacuum Sealer to the power supply.

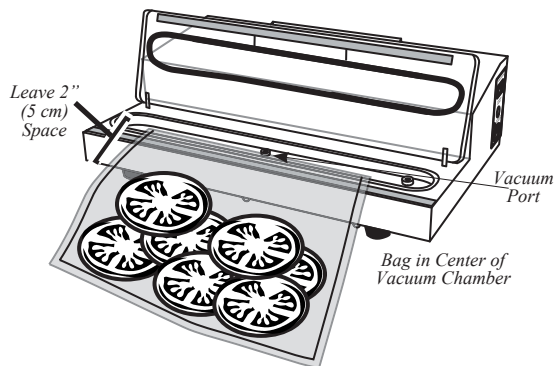
2. Turn the Vacuum Sealer "ON".

3. The "POWER" Light on the display, "POWER INDICATOR" Switch both will illuminate and the Internal Cooling Fan will run.

4. Open the Vacuum Lid.

5. Fill a vacuum bag with the product you want to seal. Leave at least 2" (5 cm) of space between the open end of the bag and product Figure 4.
6. Load the open end of the bag into the Lower Vacuum Chamber. Center the bag in the Lower Vacuum Chamber. Place the bag close to, but do not cover, the Vacuum Port. Be careful not to touch either strip of Seal Bar Tape which may be HOT from a previous heating cycle.
7. Close the Vacuum Lid. Make sure there are no folds or creases in the bag in the sealing area.
8. Press down on the Vacuum Lid Handle to form a tight seal.
9. Press the "START" Button to initiate the vacuuming process (the "VACUUM" Light will illuminate). Release the Vacuum Lid Handle at the first sign of bag collapse. The Vacuum Sealer will automatically seal the bag when a preset vacuum pressure is reached in the Vacuum Chamber. Sealing lasts for 3 seconds (the "SEAL" Light will illuminate).
10. To manually seal a bag press the Manual Seal Button at any time during the vacuuming process.
11. You can stop the vacuuming process at any time by pressing the "STOP" Button.
12. Sealing is complete when the Vacuum Chamber releases after a 3 second cooling period (the "COOL" Light will illuminate). The release is audible.
13. Open the Vacuum Lid and remove the bag. DO NOT try to open the Vacuum Lid before the vacuum has released or unit damage may occur. Wait at least 20 seconds before sealing another bag to avoid overheating the unit.
14. Turn the Vacuum Sealer "OFF" and unplug the Power Cord when you are done.

FIGURE 4



NOTE: The **Vacuum Sealer** is **ONLY** intended to be used with **VACUUM BAGS**. For best results, only use the recommended vacuum bags with an embossed or mesh lining. **DO NOT USE HOUSEHOLD BAGS!** Any other uses of the **Vacuum Sealer**, other than the uses described in this booklet, could potentially damage the appliance and void the warranty!

PREPARING VAC BAGS FROM A ROLL

1. Make sure the Vacuum Sealer is in the "OFF" position. Attach the Vacuum Sealer to the power supply.
2. Turn the Vacuum Sealer "ON".
3. The "POWER" Light on the display, "POWER INDICATOR" Switch both will illuminate and the Internal Cooling Fan will run.
4. Open the Vacuum Lid.
5. Cut a vacuum bag to the length you want from a roll.
6. Place either open end of the bag against the outer face of the Oval Vacuum Chamber Seal in the Vacuum Chamber (not in the Vacuum Chamber).
7. Close the Vacuum Lid. The bag end should be sandwiched between the Vacuum Lid Seal and Seal Bar Heating Element. Make sure there are no wrinkles or creases in the bag in the sealing area.
8. Press and hold the Vacuum Lid Handle down. You may need to continue holding the bag.
9. Press the "START" Button (this will engage the Pump and the Heating Element). Press the Manual Seal Button to seal the vacuum bag.
10. Sealing is complete when the Vacuum Chamber releases after a 3 second cooling period (the "COOL" Light will illuminate). The release is audible.
11. Open the Vacuum Lid and remove the bag. DO NOT try to open the Vacuum Lid before the vacuum has released or unit damage may occur. Wait at least 20 seconds before sealing another bag to avoid overheating the unit.
12. Turn the Vacuum Sealer "OFF" and unplug the Power Cord when you are done.

SERVICE INSTRUCTIONS

! WARNING! Before cleaning, assembling or disassembling the Vacuum Sealer, make sure the Vacuum Sealer is OFF and the PLUG IS REMOVED FROM THE OUTLET/POWER SOURCE!

Some parts of the Vacuum Sealer may need replacing after repeated use. A Vacuum Sealer Maintenance Kit (Sold Separately Model No. 08-0501-W) may be necessary for the Vacuum Sealer to properly function.

REPLACING THE OVAL VACUUM CHAMBER SEALS:

1. Turn "OFF" the Vacuum Sealer and remove the Power Cord from the electrical outlet.
2. Make sure the unit is completely cool.
3. Open the Vacuum Lid.
4. Remove the Oval Vacuum Chamber Seal from the groove on the underside of the Vacuum Lid.
5. Remove the Oval Vacuum Chamber Seal from the groove in the Plastic Vacuum Chamber.

6. Set a new Oval Vacuum Chamber Seal on the groove in the Plastic Vacuum Chamber. Work the seal into the groove.
7. Position a new Oval Vacuum Chamber Seal near the groove in the Vacuum Lid. Work the seal into the groove.

REPLACING THE SEAL BAR TAPE:

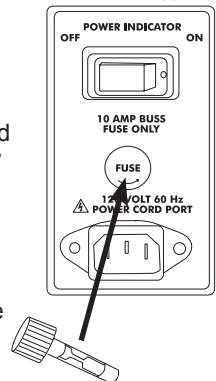
- *NOTE one extra piece of Seal Bar Tape is included with the original unit as a spare.
1. Turn "OFF" the Vacuum Sealer and remove the Power Cord from the electrical outlet.
 2. Make sure the unit is completely cool.
 3. Open the Vacuum Lid.
 4. Pick at either end of the Seal Bar Tape covering the Seal Bar Heating Element until it lifts slightly. Grasp the loose end and slowly pull the Seal Bar Tape back over itself until fully removed.
 5. Repeat step 4 for the Seal Bar Tape covering Vacuum Lid Seal. DO NOT remove the Seal.
 6. Remove the backing from a new wide strip of Seal Bar Tape for the Seal Bar Heating Element. Be careful not to allow the Seal Bar Tape to contact anything including itself while the adhesive side is exposed.
 7. Hold one end of the Seal Bar Tape in each hand. Stick the left end of the Seal Bar Tape to the flat area on the Plastic Vacuum Chamber just left of the Seal Bar Heating Element. Apply the Seal Bar Tape from left to right over the Seal Bar Heating Element until done. Make sure there are no wrinkles or folds in the Seal Bar Tape once applied. The Seal Bar Tape should fully cover the Seal Bar Heating Element.
 8. Remove the backing from a new narrow strip of Seal Bar Tape for the Vacuum Lid Seal. Stick the left end of the Seal Bar Tape onto the left end of the Seal. The Seal Bar Tape and Seal ends should be flush. Apply the Seal Bar Tape from left to right over the Vacuum Lid Seal until done. Make sure there are no wrinkles or folds in the Seal Bar Tape once applied. The Seal Bar Tape should fully cover the Vacuum Lid Seal.

REPLACING THE FUSE

If the Vacuum Sealer does not operate when it is plugged in and turned on, try any or all of the following:

1. Make sure the Fuse is not blown. The Fuse is located on the right side of the unit directly above the Power Cord Port. Turn "OFF" and unplug the Vacuum Sealer. Twist off and remove the Fuse Cap. Remove and check the Fuse. The thin metal band in the center of the Fuse should be clean and unbroken. If it is burned and/or broken, replace it with a new Fuse (10 Amp). Replace the Fuse Cap.
2. Make sure the Connector at the end of the Power Cord is plugged completely into the Power Cord Port.
3. Make sure the Power Cord is not damaged. DO NOT use a damaged Power Cord. Call the Customer Service line for information on part replacement.
4. Try connecting the Power Cord Plug to another electrical outlet.

FIGURE 5



STORAGE LIFESPAN GUIDELINES

- . **IMPORTANT NOTE:** Vacuum packaging is NOT a substitute for refrigeration. Vacuum packed perishable foods still require refrigeration.
- . NEVER thaw frozen foods at room temperature. Thaw frozen foods in a refrigerator or microwave oven.
- . In general, the colder the temperature at which foods are stored, the longer the shelf life.
- . Handle vacuum sealer bags with care. Avoid damaging them. A damaged bag will not hold a seal.
- . Only use information in the following chart as a guideline! Refer to the “Vacuum Packaging Guidelines” and “Food Safety” sections of this manual. Actual storage life spans may vary. Check all food for spoilage before use.

FOOD TYPE	STORAGE LOCATION	NORMAL LIFE	VACUUM PACKED LIFE
LARGE CUTS OF MEAT GROUND MEAT FISH	Freezer Freezer Freezer	6 months 4 months 6 months	2-3 years 1 year 2 years
<i>For best results, freeze meats & fish for 1-2 hours before vacuum packing to help prevent moisture and juices from interfering with the seal of the vacuum bag.</i>			
COFFEE BEANS COFFEE BEANS FLOUR, RICE, SUGAR	Room temperature Freezer Room Temperature	4 weeks 6-9 months 6 months	16 months 2-3 years 1-2 years
<i>For best results, powder or grainy substances should be kept in their original container or bag, then placed in a vacuum bag for sealing to prevent interfering with the seal of the vacuum bag.</i>			
BERRIES strawberries, raspberries, blackberries BERRIES cranberries, huckleberries, blueberries	Refrigerator Refrigerator	1-3 days 3-6 days	1 week 2 weeks
<i>To prevent berries from being crushed by the vacuum sealer, it is best to freeze item before packing. Spread the berries out on a cookie sheet to allow them to freeze individually. Berries frozen in a large block will be difficult to vacuum seal due to the many small air pockets that would form between the berries.</i>			
CHEESE	Refrigerator	1-2 weeks	4-8 months
<i>If vacuum packed cheese is used often, make sure the vacuum bag is long enough to allow for repeated sealing. For shredded cheese, place a paper towel inside the vacuum bag, on top of the cheese to prevent the cheese from being sucked into the Vacuum Sealer or interfering with the sealing of the bag.</i>			
COOKIES, CRACKERS, BREADS with periodical opening	Room Temperature	1-2 weeks	3-6 weeks
<i>Freeze soft airy foods for 1-2 hours prior vacuum packing, to retain shape & texture.</i>			
PASTA, GRAINS, DRIED BEANS NUTS	Room Temperature Room Temperature	6 months 6 months	1-1/2 years 2 years
<i>Dried foods with sharp edges should be wrapped in a paper towel or other matter to prevent the sharp edges from puncturing the vacuum bag.</i>			
LETTUCE	Refrigerator	3-6 days	2 weeks
<i>Wash & thoroughly dry leafy vegetables before vacuum packaging.</i>			
VEGETABLES	Freezer	8 months	2 1/2 years
<i>To maximize the taste of vegetables, blanch them before vacuum packaging. Blanching cooks the vegetables very briefly, sealing in the flavor, color and texture, leaving the vegetables cooked but still crisp. Vegetables can be blanched in boiling water in the microwave, most vegetables only require 2-3 minutes (corn on the cob requires 6-11 minutes). Then immerse the vegetables in cold water to stop the cooking process. Dry the vegetables, then vacuum pack.</i>			

Table adapted from Dr. G.K.York, Dept. of Food Science & Tech, U of California, Davis.

FOOD SAFETY

There are basic rules to follow when handling food. They are **COOK, SEPARATE, CLEAN, and CHILL.**

COOK

It's crucial to cook food to a safe internal temperature to destroy bacteria that is present. The safety of hamburgers and other foods made with ground meat has been receiving a lot of attention lately, and with good reason. When meat is ground, the bacteria present on the surface is mixed throughout the ground mixture. If this ground meat is not cooked to at least 160°F to 165°F (71°C to 74°C), bacteria will not be destroyed and there's a good chance you will get sick.

Solid pieces of meat like steaks and chops don't have dangerous bacteria like E. coli on the inside, so they can be served more rare. Still, any beef cut should be cooked to an internal temperature of at least 145°F (63°C) (medium rare). The safe temperature for poultry is 165°F (75°C) and solid cuts of pork should be cooked to 145°F (63°C).

SEPARATE

Foods that will be eaten uncooked and foods that will be cooked before eating **MUST ALWAYS** be separated. Cross-contamination occurs when raw meats or eggs come in contact with foods that will be eaten uncooked. This is a major source of food poisoning. Always double-wrap raw meats and place them on the lowest shelf in the refrigerator so there is no way juices can drip onto fresh produce. Then use the raw meats within 1-2 days of purchase, or freeze for longer storage. Defrost frozen meats in the refrigerator, not on the counter.

When grilling or cooking raw meats or fish, make sure to place the cooked meat on a clean platter. Don't use the same platter you used to carry the food out to the grill. Wash the utensils used in grilling after the food is turned for the last time on the grill, as well as spatulas and spoons used for stir-frying or turning meat as it cooks.

Make sure to wash your hands after handling raw meats or raw eggs. Washing hands with soap and water, or using a pre-moistened antibacterial towelette is absolutely necessary after you have touched raw meat or raw eggs. Not washing hands and surfaces while cooking is a major cause of cross-contamination.

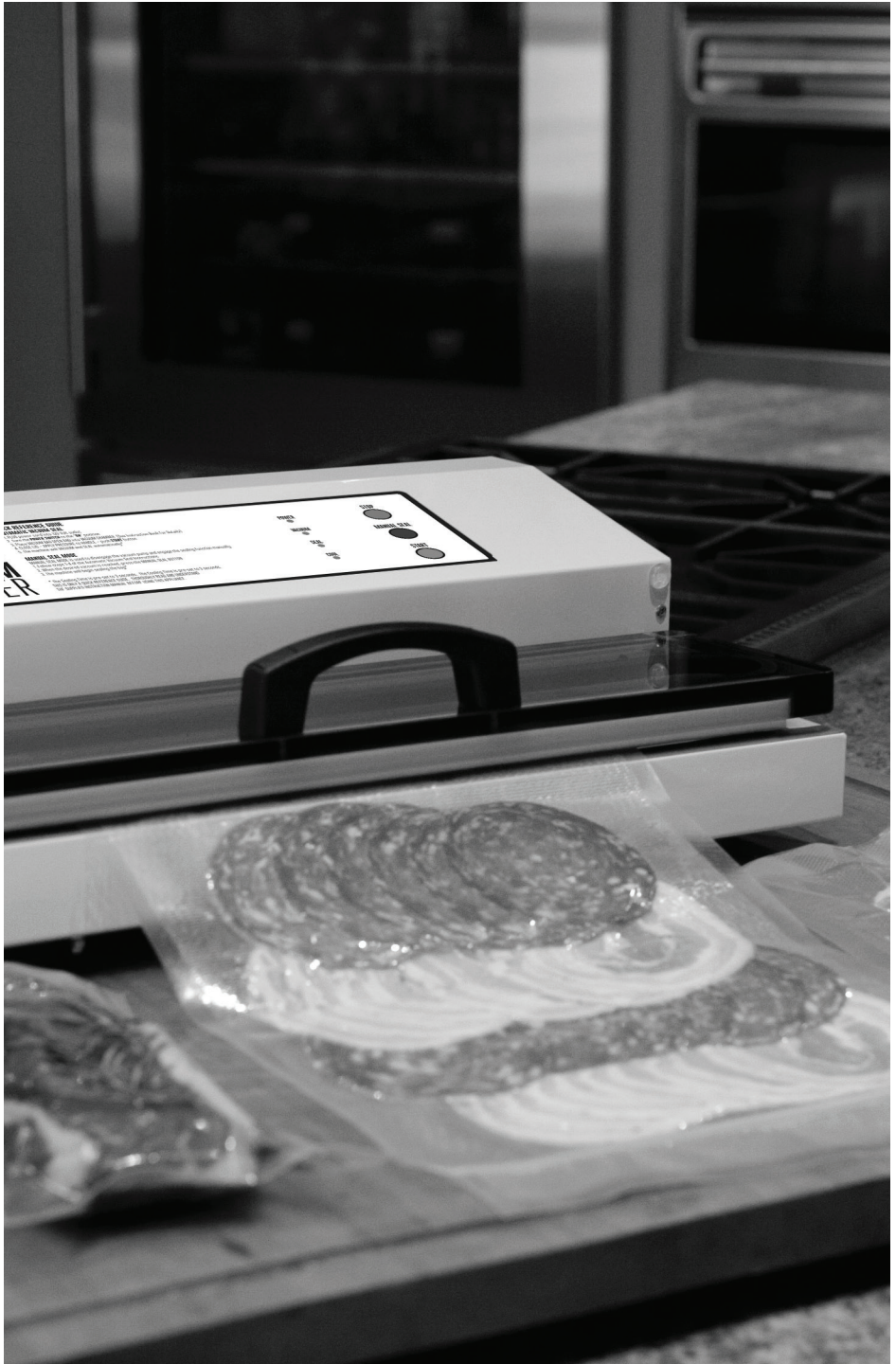
CLEAN

Wash your hands and work surfaces frequently when you are cooking. Washing with soap and warm water for at least 15 seconds, then dry with a paper towel.

CHILL

Chilling food is very important. The danger zone where bacteria multiply is between 40°F and 140°F (4°C and 6°C). Your refrigerator should be set to 40°F (4°C) or below; your freezer should be 0°F (-17°C) or below. Simple rule: serve hot foods hot, cold foods cold. Use chafing dishes or hot plates to keep food hot while serving. Use ice water baths to keep cold foods cold. Never let any food sit at room temperature for more than 2 hours - 1 hour if the ambient temperature is 90°F (32°C) or above. When packing for a picnic, make sure the foods are already chilled when they go into the insulated hamper. The hamper won't chill food - it just keeps food cold when properly packed with ice. Hot cooked foods should be placed in shallow containers and immediately refrigerated so they cool rapidly. Make sure to cover foods after they are cool.

NOTE: Special considerations must be made when using venison or other wild game, since it can become heavily contaminated during field dressing. Venison is often held at temperatures that could potentially allow bacteria to grow, such as when it is being transported. Refer to the USDA Meat and Poultry Department for further questions or information on meat and food safety.



WARNING: READ
THIS MANUAL CAREFULLY
BEFORE USING THIS APPLIANCE.
Failure to follow the instructions
may result in property damage,
personal injury, or death.
Always use common sense.
Do not use this appliance if you
are unable to understand the
instructions or if you are
under the influence of alcohol,
drugs, or medication.
Do not use this appliance if you
are unable to lift or carry the
appliance safely.
Do not use this appliance if you
are unable to plug and unplug
the power cord safely.
Do not use this appliance if you
are unable to use the controls
safely.
Do not use this appliance if you
are unable to use the controls
safely.
Do not use this appliance if you
are unable to use the controls
safely.

CAUTION

WESTON WARRANTY INFORMATION

SAVE THIS WARRANTY INFORMATION FOR YOUR RECORDS!

Weston Brands LLC warrants to the ORIGINAL RETAIL PURCHASER of this product that if operated in accordance with the printed instruction accompanying it, then for a period of 2 year from the date of purchase, the product shall be free from defects in material and workmanship.

The Warranty Card, along with a copy of the original receipt, must be received by Weston Brands LLC within 30 days from purchase date for the warranty to apply. Failure to send the completely filled out Warranty Card, along with a copy of the original receipt, will void the warranty.

The product must be delivered to or shipped freight prepaid to Weston Brands LLC for warranty services, in either its original packaging or similar packaging affording an equal degree of protection. Damage due to shipping is not the responsibility of the company. Weston Brands LLC charges a \$35.00 per hour bench charge. **NOTE:** No repairs will be started without the authorization of the customer. The return shipping cost to the customer will be added to the repair invoice.

Prior to returning the product for Warranty Repair, the product must be thoroughly cleaned and free from any food particles or other debris. Failure of the purchaser to comply with this standard will result in the unit being returned without repair. In some cases, a \$50 cleaning surcharge may apply.

Weston Brands LLC will repair (or at its discretion, replace) the product free of charge, if in the judgment of the company, it has been proven to be defective as to seller's labor and material, within the warranty period.

New or rebuilt replacements for factory defective parts will be supplied for two (2) year from the date of purchase.

Replacement parts are warranted for the remainder of the original warranty period.

For non-warranty repairs, contact Weston Brands LLC's Customer Service at 1-800-814-4895 M-F 8am-5pm ET (outside of the United States 001-440-638-3131) to obtain a Return Merchandise Authorization Number (RMA Number).

Weston Brands LLC will refuse all returns that do not contain this number. **DO NOT RETURN THE UNIT WITHOUT PROPER AUTHORIZATION FROM WESTON BRANDS LLC.**

LIMITATIONS: The warranty is void if the product is used for any purpose other than that for which it is designed. The product must not have been previously altered, repaired, or serviced by anyone else other than Weston Brands LLC. If applicable, the serial number must not have been altered or removed. The product must not have been subjected to accident in transit or while in the customer's possession, misused, abused, or operated contrary to the instructions contained in the instruction manual. This includes failure caused by neglect of reasonable and necessary maintenance, improper line voltage and acts of nature. This warranty is not transferable and applies only to U.S. and Canadian sales.

Except to the extent prohibited by applicable law, no other warranties whether expressed or implied, including warranty merchantability and fitness for a particular purpose, shall apply to this product. Under no circumstances shall Weston Brands LLC be liable for consequential damages sustained in connection with said product and Weston Brands LLC neither assumes nor authorizes any representative or other person to assume for it any obligation or liability other than such as is expressly set forth herein. Any applicable implied warranties are also limited to the two (2) year period of the limited warranty.

This warranty covers only the product and its specific parts, not the food or other products processed in it. Weston is not responsible for missing or damaged parts on discounted/clearance, resale or final sale items where the seller may not be able to guarantee full functionality or completeness of the unit.

CUT ALONG THE DOTTED LINE AND SEND THE WARRANTY CARD ALONG WITH A COPY OF YOUR ORIGINAL PURCHASE RECEIPT TO:

Weston Brands LLC / WARRANTY

20365 Progress Drive, Strongsville, OH 44149 USA

WESTON WARRANTY CARD

**SEND THIS CARD ALONG WITH A COPY OF YOUR ORIGINAL PURCHASE RECEIPT TO:
WESTON BRANDS LLC / WARRANTY, 20365 PROGRESS DRIVE, STRONGSVILLE, OH 44149 USA**

Customer Name: _____

Address: _____

City/State/Zip/Country: _____

Telephone Number: _____

E-Mail Address: _____

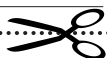
Original Date of Purchase: _____

Copy of Receipt
Included

Product Model #: _____

Serial # (if applicable): _____

I have read the warranty information. Initial here: _____



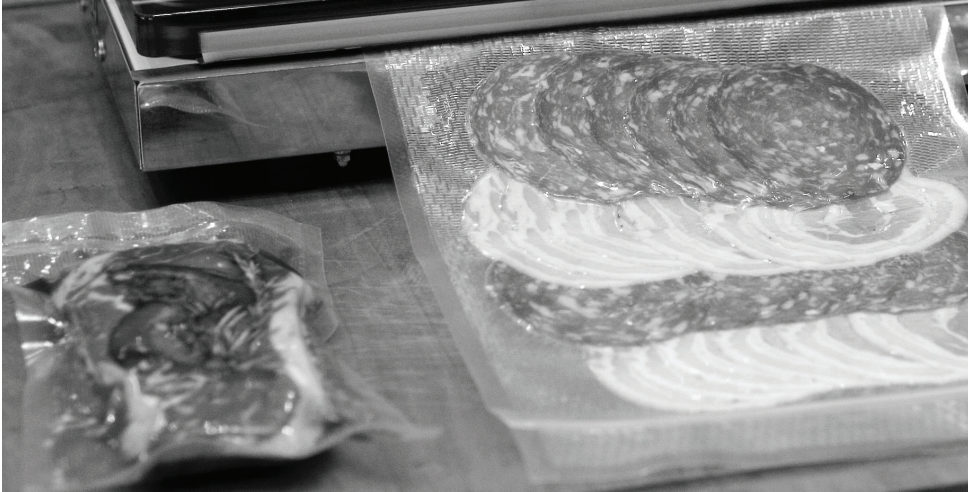
WESTON

RECONNECT WITH REAL FOOD

WESTON
PRO-2300
VACUUM
SEALER

READ ME FIRST!
Please read this manual carefully before using the vacuum sealer. It contains important safety information and instructions for use. It also contains information on how to get the most out of your vacuum sealer. If you have any questions, please contact Weston at 1-800-828-8282.

ON
MARKET SEAL
LID
OFF



65-0201 SE MUESTRA

PRO-SERIES

SELLADORA AL VACIO

PRO 2100 65-0101 / PRO 2300 65-0201

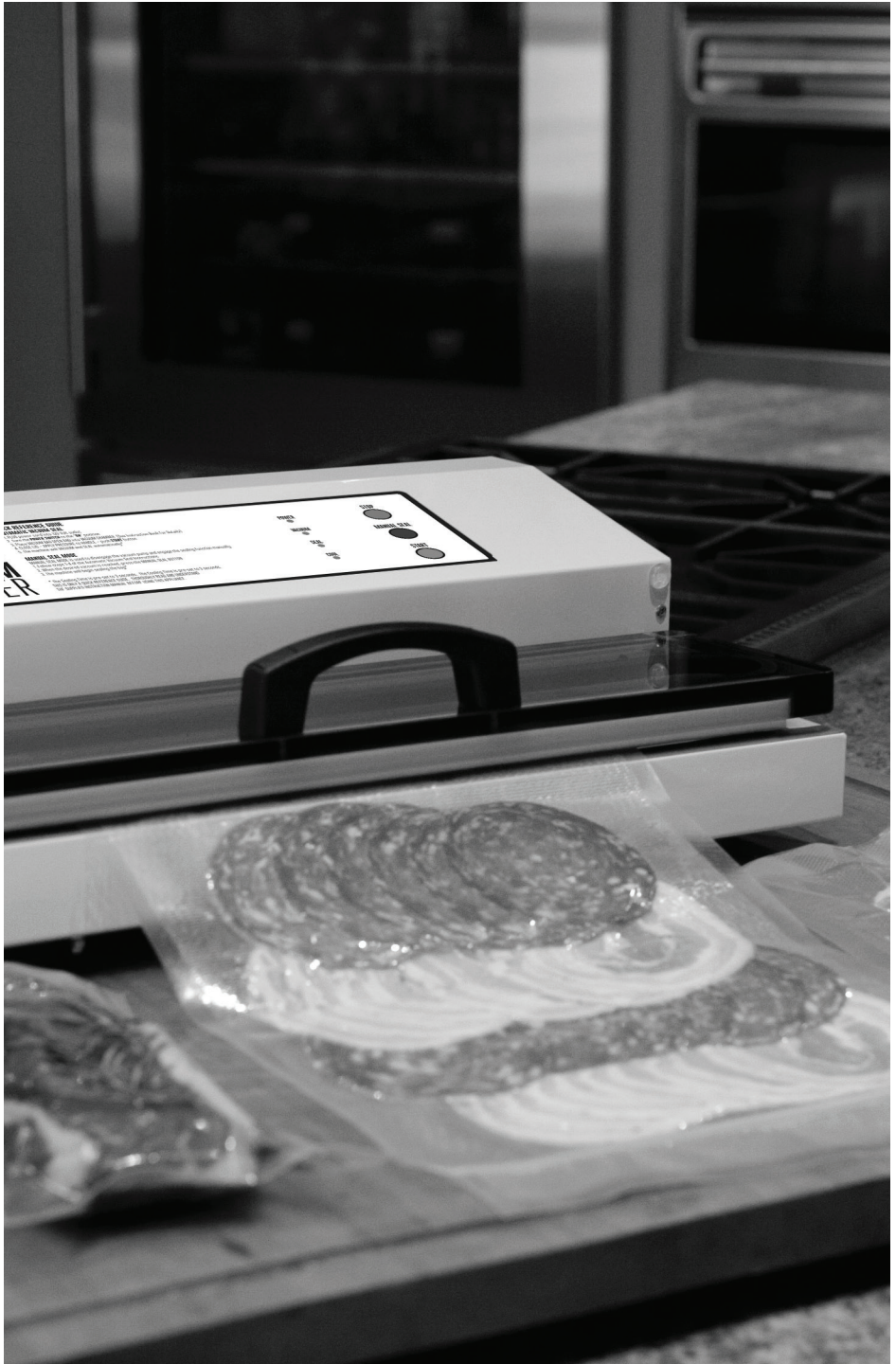
DEBIDO A CONSTANTES MEJORAS EN LA FÁBRICA, EL PRODUCTO QUE SE MUESTRA PUEDE SER LIGERAMENTE DIFERENTE DEL PRODUCTO EN ESTA CAJA. 021115

REGLAS IMPORTANTES DE SEGURIDAD

LEA Y ENTIENDA COMPLETAMENTE TODAS LAS INSTRUCCIONES Y ADVERTENCIAS ANTES DE UTILIZAR ESTA UNIDAD. ¡SU SEGURIDAD ES LO MÁS IMPORTANTE! NO SEGUIR LOS PROCEDIMIENTOS Y PRECAUCIONES PUEDE PROVOCAR LESIONES GRAVES Y DAÑOS MATERIALES. RECUERDE: ¡SU SEGURIDAD PERSONAL ES RESPONSABILIDAD DE USTED!

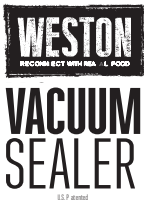
1. SIEMPRE DESCONECTE la selladora al vacío de la fuente de alimentación antes de realizar mantenimiento, cambiar los accesorios o limpiar la unidad.
2. Enchufe la selladora al vacío a un tomacorriente estándar de pared de 120 voltios, 60 Hz. Evite usar prolongadores.
3. NO UTILICE la selladora al vacío si el cable de alimentación, el enchufe o cualquier otra parte se encuentran dañados. Si el cable de alimentación o la selladora al vacío se encuentran dañados, comuníquese con el Servicio de atención al cliente. **NO INTENTE REEMPLAZAR EL CABLE.** Asegúrese de no dejar que el cable de alimentación cuelgue dentro de su área de trabajo. Verifique que todas las piezas funcionen correctamente y cumplan sus funciones. Verifique toda otra condición que pueda afectar el funcionamiento.
4. **NUNCA** utilice ningún accesorio o pieza de otro fabricante. Utilizar una pieza de otro fabricante **ANULARÁ LA GARANTÍA** y podría provocar un incendio, una descarga eléctrica o lesiones.
5. Reduzca el riesgo de arranques involuntarios. Asegúrese de que el interruptor de encendido se encuentre en la posición "OFF" (apagado) antes de conectar a la fuente de alimentación.
6. **MANTENGA LOS DEDOS FUERA** del calentador de la barra de sellado y de la cinta de la barra de sellado **EN TODO MOMENTO**, ya que estas áreas se **CALIENTAN**. Hacerlo puede causar lesiones graves.
7. **NO** desarme la máquina, hacerlo **ANULARÁ LA GARANTÍA** y podría causar lesiones personales.
8. **PARA LA PROTECCIÓN ANTE EL RIESGO DE DESCARGA ELÉCTRICA: NO SUMERJA LA SELLADORA AL VACÍO EN AGUA O LÍQUIDO. ASEGÚRESE DE QUE LA SELLADORA AL VACÍO SE ENCUENTRE DESCONECTADA DE LA FUENTE DE ALIMENTACIÓN ANTES DE LIMPIARLA.** Siga las "Instrucciones de limpieza" de este manual. **NUNCA** enjuague la máquina selladora al vacío bajo el grifo.
9. **NUNCA DEJE LA SELLADORA AL VACÍO SIN SUPERVISIÓN.** Actúe con precaución. **DESCONECTE** la selladora al vacío de la fuente de alimentación antes de irse del área de trabajo. Se necesita una supervisión estricta cuando la máquina se utiliza cerca de los niños. Los niños **NO** deben utilizarla.
10. **NO** deje que el cable de alimentación cuelgue sobre el borde de la superficie de trabajo.
11. Asegúrese de que la selladora al vacío se encuentre sobre una superficie de trabajo estable. Asegúrese de que las patas de la selladora al vacío se encuentren estables.
12. **NO** utilice la selladora al vacío en el exterior.
13. **NO** use la selladora al vacío bajo los efectos de drogas, medicamentos o alcohol.
14. La selladora al vacío debe utilizarse **SOLO** con las **BOLSAS AL VACÍO**. Para obtener mejores resultados, solo utilice las bolsas al vacío. **¡NO UTILICE BOLSAS DOMÉSTICAS!** ¡Todo otro uso de la selladora al vacío que no sea el descrito en este manual, podría dañar la máquina y anulará la garantía!

¡GUARDE ESTAS INSTRUCCIONES!



WARNING: READ
THIS MANUAL CAREFULLY
BEFORE USING THIS APPLIANCE.
Failure to follow the instructions
may result in property damage,
personal injury, or death.
Always use common sense.
Do not use this appliance if you
are unable to understand the
instructions or if you are
under the influence of alcohol,
drugs, or medication.
Do not use this appliance if
it is damaged or if the power
cord is frayed or broken.
Do not use this appliance if
the power cord is plugged into
an extension cord or a power
strip.
Do not use this appliance if
the power cord is plugged into
a GFI outlet.
Do not use this appliance if
the power cord is plugged into
a GFI outlet that is not
grounded.
Do not use this appliance if
the power cord is plugged into
a GFI outlet that is not
grounded.
Do not use this appliance if
the power cord is plugged into
a GFI outlet that is not
grounded.

CAUTION



WESTON
RECOMIENDA L. FOOD

VACUUM SEALER

U.S.P. Patent

QUICK REFERENCE GUIDE

AUTOMATIC VACUUM SEAL

1. Plug power cord into 120-Volt outlet
2. Turn the **POWER SWITCH** to the "ON" position
3. Place **VACUUM BAG** OPEN END INTO **VACUUM CHAMBER** (See Instruction Book for Details)
4. **CLOSE LID** - APPLY PRESSURE to **HANDLE** - push **START** button
5. The machine will **VACUUM** and **SEAL** automatically*

MANUAL SEAL MODE

MANUAL SEAL MODE is used to disengage the vacuum pump and engage the sealing function manually

1. Follow steps 1-4 of the Automatic Vacuum Seal Instructions
2. When the desired vacuum is reached, press the **MANUAL SEAL** BUTTON
3. The machine will begin sealing the bag*

* The Sealing Time is pre-set to 3 seconds. The Cooling Time is pre-set to 3 seconds. THIS IS ONLY A QUICK REFERENCE GUIDE. THOROUGHLY READ AND UNDERSTAND THE SUPPLIED INSTRUCTION MANUAL BEFORE USING THIS APPLIANCE.

POWER

●

VACUUM

●

SEAL

●

COOL

●

STOP

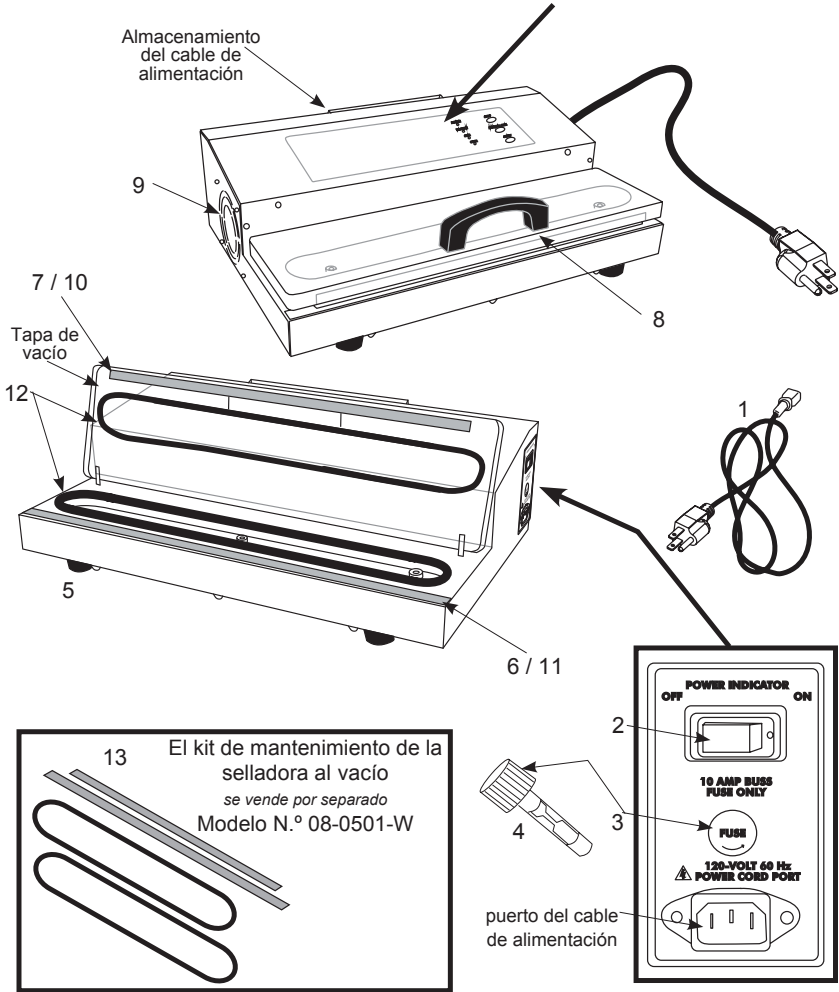
●

MANUAL SEAL

●

START

●



Almacenamiento del cable de alimentación

9

7 / 10

Tapa de vacío

12

5

6 / 11

1

2

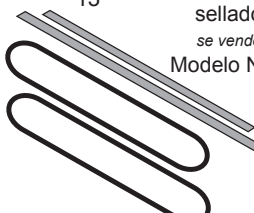
3

4

puerto del cable de alimentación

13

El kit de mantenimiento de la selladora al vacío se vende por separado Modelo N.º 08-0501-W



POWER INDICATOR

OFF ON

10 AMP BLISS FUSE ONLY

PUSH

120-VOLT 60 Hz POWER CORD PORT

LISTA DE COMPONENTES

NÚMERO DE DIAGRAMA	DESCRIPCIÓN DE LA PIEZA	NÚMERO DE PIEZA
1	CABLE DE ALIMENTACIÓN	08-0402
2	INTERRUPTOR INDICADOR DE ALIMENTACIÓN	65-0110
3	SUJETADOR DEL FUSIBLE	08-0404
4	FUSIBLE DE BUS DE 10 AMP	08-0405
5	TOPE DE GOMA (6)	08-0407
6	ELEMENTO CALENTADOR DE LA BARRA DE SELLADO CON TORNILLOS	08-0427
7	ENSAMBLADO DE LA BARRA DE SELLADO DE LA TAPA DE VACÍO	08-0430
8	MANIVELA DE LA TAPA DE VACÍO CON TORNILLOS	08-0434
9	VENTILADOR DE REFRIGERACIÓN INTERNO	08-0443
10	CINTA DE LA BARRA DE SELLADO SUPERIOR DE 10 MM	
11	CINTA DE LA BARRA DE SELLADO INFERIOR DE 15 MM (2)* *NOTA: UNA PIEZA ADICIONAL DE LA CINTA DE LA BARRA DE SELLADO SE INCLUYE EN LA UNIDAD ORIGINAL COMO REPUESTO.	08-0426
12	SELLO OVALADO DE LA CÁMARA DE VACÍO (2)	08-0429
13	EL KIT DE MANTENIMIENTO SE VENDE POR SEPARADO (INCLUYE 2 SELLOS OVALADOS DE LA CÁMARA DE VACÍO, (1) CINTA DE BARRA DE SELLADO SUPERIOR DE 10 MM, (1) CINTA DE BARRA DE SELLADO INFERIOR DE 15 MM)	08-0501-W

Si cualquier componente de esta unidad está roto, si no funciona debidamente, o si necesita un instructivo de repuesto, visítenos en la Web en

WestonProducts.com

O llame a Weston Brands LLC larga distancia sin costo 1-800-814-4895

De lunes a viernes, de 8:00 am a 5:00 pm tiempo del ET. Fuera de Estados Unidos llame al 001-440-638-3131

CINTA PROTECTORA

Existen dos (2) tiras de cinta de la barra de sellado instaladas de fábrica en la selladora al vacío.

¡NO EXTRAIGA LA CINTA!

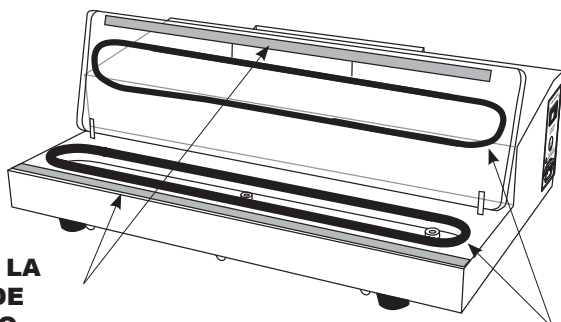


FIGURA 1

**CINTA DE LA
BARRA DE
SELLADO**

¡NO LA EXTRAIGA!

**SELLOS OVALADOS DE LA CÁMARA
DE VACÍO ¡NO LA EXTRAIGA!**

El elemento calentador de la barra de sellado y el sello de la tapa de vacío se encuentran cubiertos con una cinta de barra de sellado para proteger a las bolsas al vacío durante el sellado Figura 1. ¡NO EXTRAIGA la cinta de la barra de sellado! Consulte la sección de "Instrucciones de mantenimiento" de este manual para mayor información de cómo reemplazar la cinta de la barra de sellado, si fuese necesario.

*NOTA una pieza adicional de la cinta de la barra de sellado se incluye en la unidad original como repuesto.

INSTRUCCIONES DE LIMPIEZA

¡ADVERTENCIA! Antes de limpiar, ensamblar o desarmar, asegúrese de que la selladora al vacío se encuentre APAGADA y que EL ENCHUFE SE HAYA RETIRADO DEL TOMACORRIENTE O DE LA FUENTE DE ALIMENTACIÓN!

- . NUNCA SUMERJA la selladora al vacío en agua o líquido.
- . Asegúrese de que la selladora al vacío se haya enfriado por completo antes de limpiarla.
- . Limpie todas las superficies exteriores, incluidas la cámara de vacío de plástico y la tapa de vacío con un paño o con una toalla de papel húmedos. Se puede utilizar la mayoría de los limpiadores en aerosol. Evite rociar de manera directa en el conducto de ventilación que se encuentra en el lado izquierdo de la unidad. ¡NO utilice limpiadores abrasivos! Los limpiadores abrasivos estropearán la claridad de la tapa de vacío.
- . Tenga cuidado de que cuando limpie no descascare o dañe las tiras de la cinta de la barra de sellado que cubren el elemento calentador de la barra de sellado y el sello de la tapa de vacío.
- . Seque todas las superficies y cierre la tapa de vacío antes de guardar la selladora al vacío.

SELLOS DE LA CÁMARA DE VACÍO

Existen dos sellos ovalados de la cámara de vacío instalados de fábrica en la selladora al vacío. Cuando la tapa de vacío se encuentra cerrada y se empuja hacia abajo, forma un sellado hermético para que la selladora al vacío se pueda extraer.

Los sellos ovalados de la cámara de vacío pueden utilizarse más adelante y requieren reemplazo. Consulte la sección de “Instrucciones de mantenimiento” de este manual para mayor información sobre cómo reemplazar los sellos ovalados de la cámara de vacío, si fuese necesario.

VENTILADOR DE REFRIGERACIÓN

La selladora al vacío cuenta con un ventilador de refrigeración interno que funciona siempre que la unidad está conectada y encendida. Para ahorrar energía, coloque la unidad en posición “OFF” (apagado) y desconecte el cable de alimentación cuando no esté en uso.

PROTECTOR DE SOBRECARGA TÉRMICA

La selladora al vacío dejará de funcionar de manera automática si se recalienta. Si esto ocurriese, apague la unidad y abra la tapa de vacío. Reanude el funcionamiento normal luego de que la unidad se haya enfriado durante alrededor de 20 minutos.

Para ayudar a evitar que se recaliente, espere por los menos 20 segundos entre los ciclos con la tapa de vacío abierta. Evite tocar la cinta de la barra de sellado. La cinta de la barra de sellado permanecerá caliente durante un periodo de tiempo breve luego de cada ciclo de sellado.

INTERRUPTOR DE LÍMITE

La selladora al vacío está equipada con un interruptor para evitar el accionamiento del elemento calentador de la barra de sellado en modo manual cuando la tapa de vacío está abierta. Cuando la tapa de vacío está cerrada, el calor producido por el elemento calentador de la barra de sellado se absorbe por la bolsa de vacío y el sello de la tapa de vacío.

Cuando la tapa de vacío está abierta, no hay forma de disipar el calor y la unidad podría dañarse.

NOTA: La selladora al vacío debe utilizarse SOLO con las BOLSAS AL VACÍO. Para obtener mejores resultados, solo utilice las bolsas al vacío con un revestimiento de malla o de red. **¡NO UTILICE BOLSAS DOMÉSTICAS!** ¡Todo otro uso de la selladora al vacío que no sea el descrito en este manual, podría dañar la máquina y anulará la garantía!

INSTRUCCIONES PARA HACER TIERRA

ATERRIZADO

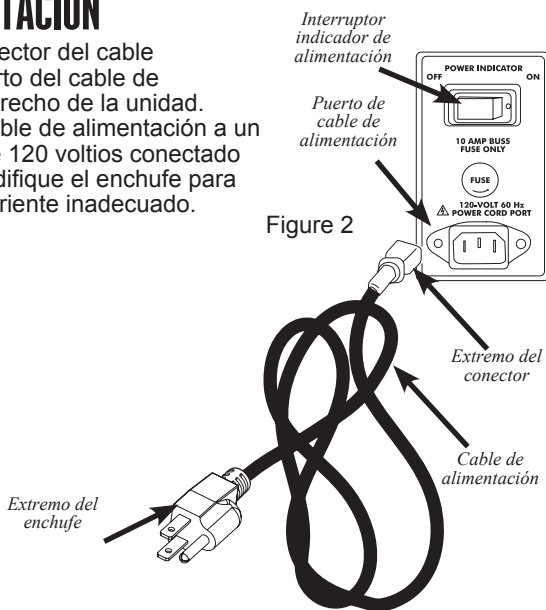
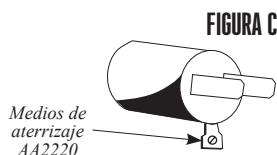
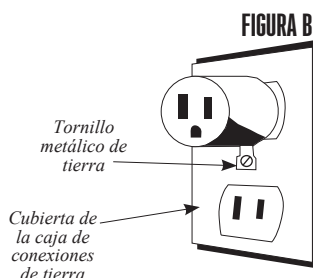
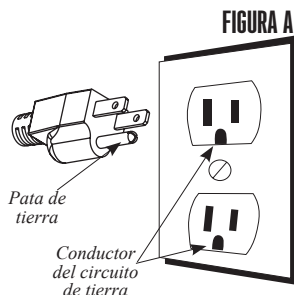
Este aparato debe estar aterrizado para proteger al operario de choques eléctricos. El aparato está equipado con un cable de 3 conductores y una clavija de tierra de tres patas que entra en un tomacorriente aterrizado apropiado. El aparato tiene una clavija que se ve como la figura A. Debe usarse un adaptador, figura B, para conectar la clavija de la figura A en tomacorrientes de dos patas. La pestaña de tierra que sale del adaptador debe conectarse a una tierra permanente, por ejemplo, una caja de conexiones debidamente aterrizada, como la que se muestra en la figura C, usando un tornillo de metal. **NO modifique la clavija de ninguna manera.**

CABLES DE EXTENSIÓN

Use solamente cables de extensión de 3 alambres que tengan clavijas de tierra de 3 patas y un conector de 3 polos que acepte la clavija del aparato. Use solamente cables de extensión que tengan una calibración eléctrica no menor que la calibración del aparato. **NO USE** cables de extensión dañados. Examine el cable de extensión antes de usarlo y reemplácelo si está dañado. **NO** maltrate el cable de extensión y no lo jale para desconectarlo. Mantenga el cable alejado del calor y de bordes filosos. **NO** permita que el cable cuelgue por el borde del área de trabajo.

FUENTE DE ALIMENTACIÓN

Introduzca el extremo conector del cable de alimentación en el puerto del cable de alimentación en el lado derecho de la unidad. Conecte el extremo del cable de alimentación a un tomacorriente estándar de 120 voltios conectado a tierra. Figura 2. **NO** modifique el enchufe para que encaje en un tomacorriente inadecuado.



BOTONES DEL CONTROL

BOTÓN “STOP” (detener)

Presione el botón “Stop” (detener) para detener el proceso de vacío. **FIGURA 3.**

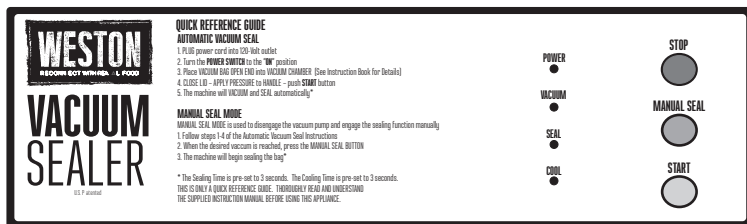
BOTÓN “MANUAL SEAL” (sellado manual)

Presione el botón “Manual Seal” (sellado manual) durante el proceso de vacío para iniciar el sellado (antes de que la presión de vacío predeterminada se alcance) **FIGURA 3.**

BOTÓN “START” (arranque)

Presione el botón “Start” (arranque) para iniciar el proceso de vacío (la selladora al vacío sellará de manera automática la bolsa cuando la presión de vacío predeterminada se alcance) **FIGURA 3.**

FIGURA 3



INSTRUCCIONES DE FUNCIONAMIENTO

¡ADVERTENCIA! Antes de limpiar, ensamblar o desarmar, ¡asegúrese de que la selladora al vacío se encuentre APAGADA y que EL ENCHUFE SE HAYA RETIRADO DEL TOMACORRIENTE O DE LA FUENTE DE ALIMENTACIÓN!

. PRECAUCIÓN: ¡El elemento calentador de la barra de sellado y el sello de la tapa de vacío se CALIENTAN! Evite tocarlos. Tenga cuidado cuando cargue las bolsas en la cámara de vacío.

. NO intente abrir la tapa de vacío antes de que el vacío se libere o se pueden producir daños a la unidad.

. Espere al menos 20 segundos entre ciclos para evitar que la unidad se recaliente.

. NO permita que líquidos, polvo u otras sustancias pequeñas se succionen en el puerto de vacío o se pueden producir daños a la unidad. Presione el botón “Stop” (detener) para detener el proceso de vacío. Utilice el botón “Manual Seal” (sellado manual) cuando se encuentre sellando líquidos.

. La selladora al vacío debe utilizarse SOLO con las BOLSAS AL VACÍO. Para obtener mejores resultados, solo utilice las bolsas al vacío recomendadas. ¡NO UTILICE BOLSAS DOMÉSTICAS! Todo otro uso de la selladora al vacío que no sea el descrito en este manual, podría dañar la máquina y anulará la garantía.

1. Asegúrese de que la selladora al vacío se encuentre en la posición “OFF” (apagado). Sujete la selladora al vacío a la fuente de alimentación.
2. Coloque la selladora al vacío en posición “ON” (encendido).
3. La luz “POWER” (alimentación) en la pantalla y el interruptor “POWER INDICATOR” (indicador de alimentación) se encenderán y el ventilador de refrigeración interno funcionará.
4. Abra la tapa de vacío.

5. Llene la bolsa al vacío con el producto que desee sellar. Deje al menos 2 pulgadas (5 cm) de espacio entre el extremo abierto de la bolsa y el producto.

FIGURA 4

6. Cargue el extremo abierto de la bolsa en la cámara de vacío inferior. Centre la bolsa en la cámara de vacío inferior. Coloque la bolsa cerca, pero no cubra el puerto de vacío. Tenga cuidado de no tocar ninguna de las tiras de la cinta de la barra de sellado que pueden estar CALIENTES de un ciclo de calentamiento previo.

7. Cierre la tapa de vacío. Asegúrese de que no haya pliegues o dobleces en la bolsa en el área de sellado.

8. Presione la manivela de la tapa de vacío para formar un sellado firme.

9. Presione el botón “START” (arranque) para iniciar el proceso de vacío (la luz de “VACUUM” [vacío] se encenderá). Suelte la manivela de la tapa de vacío al primer signo de que la bolsa se va a colapsar. La selladora al vacío sellará de manera automática la bolsa cuando la presión de vacío predeterminada se alcance en la cámara de vacío. El sellado dura por 3 segundos (la luz “SEAL” [sellado] se encenderá).

10. Para sellar una bolsa de manera manual presione el botón “Manual Seal” (sellado manual) en cualquier momento durante el proceso de vacío.

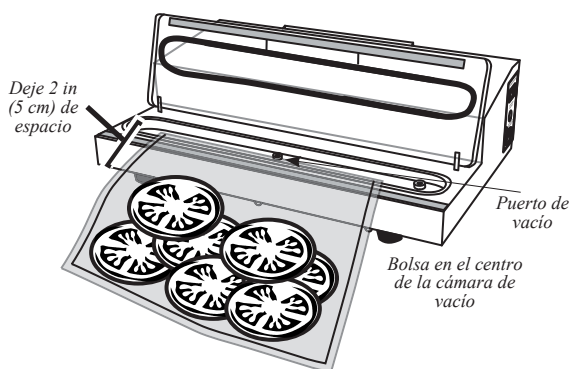
11. Puede detener el proceso de vacío en cualquier momento al presionar el botón “STOP” (detener).

12. El sellado se completa cuando la cámara de vacío se libera luego de 3 segundos del periodo de refrigeración (la luz “COOL” [fría] se encenderá). La liberación es audible.

13. Abra la tapa de vacío y extraiga la bolsa. NO intente abrir la tapa de vacío antes de que el vacío se libere o se pueden producir daños a la unidad. Espere al menos 20 segundos antes de sellar otra bolsa para evitar que la unidad se recaliente.

14. Cuando termine, coloque la selladora al vacío en “OFF” (apagado) y desenchufe el cable de alimentación.

FIGURA 4



NOTA: La selladora al vacío debe utilizarse SOLO con las BOLSAS AL VACÍO. Para obtener mejores resultados, solo utilice las bolsas al vacío con un revestimiento de malla o de red. **¡NO UTILICE BOLSAS DOMÉSTICAS!** ¡Todo otro uso de la selladora al vacío que no sea el descrito en este manual, podría dañar la máquina y anulará la garantía!

PREPARACIÓN DE BOLSAS AL VACÍO DE UN ROLLO

1. Asegúrese de que la selladora al vacío se encuentre en la posición "OFF" (apagado). Sujete la selladora al vacío a la fuente de alimentación.
2. Coloque la selladora al vacío en posición "ON" (encendido).
3. La luz "POWER" (alimentación) en la pantalla y el interruptor "POWER INDICATOR" (indicador de alimentación) se encenderán y el ventilador de refrigeración interno funcionará.
4. Abra la tapa de vacío.
5. Corte del rollo una bolsa al vacío con el largo que desee.
6. Coloque cualquier extremo de la bolsa contra la parte externa del sello ovalado de la cámara de vacío en la cámara de vacío (no en la cámara de vacío).
7. Cierre la tapa de vacío. El extremo de la bolsa debería encontrarse interpuesto entre el sello de la tapa de vacío y el calentamiento de la barra de sellado. Asegúrese de que no haya pliegues en la bolsa en el área de sellado.
8. Presione y mantenga apretada la manivela de la tapa de vacío. Puede ser que deba continuar sosteniendo la bolsa.
9. Presione el botón "START" (arranque) (esto hará que la bomba y el elemento calentador se pongan en funcionamiento). Presione el botón "Manual Seal" (sellado manual) para sellar la bolsa al vacío.
10. El sellado se completa cuando la cámara de vacío se libera luego de 3 segundos del período de refrigeración (la luz "COOL" [fría] se encenderá). La liberación es audible.
11. Abra la tapa de vacío y extraiga la bolsa. NO intente abrir la tapa de vacío antes de que el vacío se libere o se pueden producir daños a la unidad. Espere al menos 20 segundos antes de sellar otra bolsa para evitar que la unidad se recaliente.
12. Cuando termine, coloque la selladora al vacío en "OFF" (apagado) y desenchufe el cable de alimentación.

INSTRUCCIONES DE MANTENIMIENTO

¡ADVERTENCIA! Antes de limpiar, ensamblar o desarmar, asegúrese de que la selladora al vacío se encuentre **APAGADA** y que **EL ENCHUFE SE HAYA RETIRADO DEL TOMACORRIENTE O DE LA FUENTE DE ALIMENTACIÓN!**

Algunas piezas de la selladora al vacío podrían necesitar reemplazarse luego de ser utilizadas varias veces. El kit de mantenimiento de la selladora al vacío (se vende por separado, modelo N.º 08-0501-W) puede ser necesario para que la selladora al vacío funcione correctamente.

REEMPLAZO DE LOS SELLOS OVALADOS DE LA CÁMARA DE VACÍO:

1. Coloque la selladora al vacío en posición "OFF" (apagado) y extraiga el cable de alimentación del tomacorriente.
2. Asegúrese de que la unidad esté completamente fría.
3. Abra la tapa de vacío.
4. Extraiga el sello ovalado de la cámara de vacío de la ranura en la parte inferior de la tapa de vacío.
5. Extraiga el sello ovalado de la cámara de vacío de la ranura de la cámara de vacío de plástico.

6. Coloque un nuevo sello ovalado de la cámara de vacío en la ranura de la cámara de vacío de plástico. Introduzca el sello en la ranura.

7. Coloque un nuevo sello ovalado de la cámara de vacío dentro de la ranura en la tapa de vacío. Introduzca el sello en la ranura.

REEMPLAZO DE LA CINTA DE LA BARRA DE SELLADO:

*NOTA: una pieza adicional de la cinta de la barra de sellado se incluye en la unidad original como repuesto.

1. Coloque la selladora al vacío en posición "OFF" (apagado) y extraiga el cable de alimentación del tomacorriente.

2. Asegúrese de que la unidad esté completamente fría.

3. Abra la tapa de vacío.

4. Levante cualquiera de los extremos de la cinta de la barra de sellado que cubren el elemento calentador de la barra de sellado hasta que se levante suavemente. Tome el extremo flojo y tire la cinta de la barra de sellado suavemente sobre sí misma hasta que haya salido por completo.

5. Repita el paso 4 para la cinta de la barra de sellado que cubre el sello de la tapa de vacío. NO EXTRAIGA el sello.

6. Retire el protector posterior de una

nueva tira ancha de la cinta de la barra de sellado para el elemento calentador de la barra de sellado. Tenga cuidado de que la cinta de la barra de sellado no entre en contacto con nada, ni consigo misma, cuando el lado del adhesivo quede expuesto.

7. Sostenga un extremo de la cinta de la barra de sellado en cada mano. Pegue el extremo izquierdo de la cinta de la barra de sellado en el área lisa de la cámara de vacío de plástico justo a la izquierda del elemento calentador de la barra de sellado. Coloque la cinta de la barra de sellado de izquierda a derecha sobre el elemento calentador de la barra de sellado hasta que esté lista. Una vez aplicada, asegúrese de que no queden arrugas o dobleces en la cinta de la barra de sellado. La cinta de la barra de sellado debe cubrir por completo el elemento calentador de la barra de sellado.

8. Retire el protector posterior de una nueva tira angosta de la cinta de la barra de sellado para el sello de la tapa de vacío. Pegue el extremo izquierdo a la cinta de la barra de sellado en el extremo izquierdo del sello. La cinta de la barra de sellado y el extremo del sello deben estar al ras. Coloque la cinta de la barra de sellado de izquierda a derecha sobre el sello de la tapa de vacío hasta que esté lista. Una vez aplicada, asegúrese de que no queden arrugas o dobleces en la cinta de la barra de sellado. La cinta de la barra de sellado debe cubrir por completo el sello de la tapa de vacío.

REEMPLAZO DEL FUSIBLE

Si la selladora al vacío no funciona cuando se la enchufa y enciende, intente con alguna de las siguientes opciones o con todas:

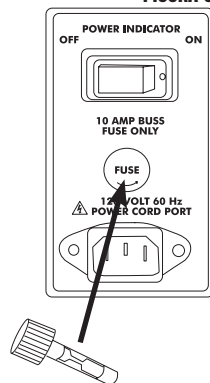
1. Asegúrese de que el fusible no esté quemado. El fusible se encuentra en el lateral derecho de la unidad, justo por encima del puerto del cable de alimentación. Apague y desenchufe la selladora al vacío. Desenrosque y extraiga el portafusible. Extraiga y revise el fusible. La delgada banda de metal en el centro del fusible debe estar limpia y sana. Si está quemada o rota, reemplácelo con un nuevo fusible (10 Amp). Vuelva a colocar el portafusible.

2. Asegúrese de que el conector en el extremo del cable de alimentación esté conectado completamente en el puerto del cable de alimentación.

3. Asegúrese de que el cable de alimentación no esté dañado. NO utilice un cable de alimentación que esté dañado. Llame a la línea de Servicio de Atención al Cliente para obtener más información sobre el reemplazo de piezas.

4. Intente conectar el enchufe del cable de alimentación a otro tomacorriente.

FIGURA 5



PAUTAS SOBRE LA VIDA EN ALMACENAMIENTO

.NOTA IMPORTANTE: El envasado al vacío NO sustituye la refrigeración. Los alimentos perecederos envasados al vacío requieren refrigeración.

. NUNCA descongele los alimentos congelados a temperatura ambiente. Descongele los alimentos congelados en el refrigerador o en el microondas.

. En general, en cuanto más fría sea la temperatura en que los alimentos se almacenan, estos durarán más.

. Maneje con cuidado las bolsas al vacío. Evite dañarlas. Una bolsa dañada no podrá sellarse.

. ¡Utilice la información en el cuadro siguiente solo como una guía! Consulte las secciones “Pautas para el envasado al vacío” y “Seguridad alimentaria” de este manual. La vida real en almacenamiento puede variar. Revise si los alimentos se encuentran en descomposición antes de usarlos.

TIPO DE ALIMENTO	UBICACIÓN DEL ALMACENAMIENTO	VIDA NORMAL	VIDA CON ENVASADO AL VACÍO
CORTES GRANDES DE CARNE CARNE MOLIDA PESCADO	Congelador Congelador Congelador	6 meses 4 meses 6 meses	De 2 a 3 años 1 año 2 años
<i>Para obtener mejores resultados, congele la carne y los pescados 1 o 2 horas antes de envasarlos al vacío para evitar que la humedad y los jugos interfieran con el sellado de la bolsa al vacío.</i>			
GRANOS DE CAFÉ GRANOS DE CAFÉ HARINA, ARROZ, AZÚCAR	Temperatura ambiente Congelador Temperatura ambiente	4 semanas 6-9 meses 6 meses	16 meses De 2 a 3 años De 1 a 2 años
<i>Para obtener mejores resultados, las sustancias en polvo o en granos deben mantenerse en el envase o en la bolsa originales, luego colocarse en la bolsa de vacío para sellarlos y así evitar que el sellado interfiera con el sellado de la bolsa al vacío.</i>			
BAYAS , fresas, frambuesas, zarzamoras BAYAS , arándanos rojos, moras negras, arándanos	Refrigerador Refrigerador	De 1 a 3 días De 3 a 6 días	1 semana 2 semanas
<i>Para evitar que las bayas sean aplastadas por la selladora al vacío, es mejor congelar cada elemento antes de envasarlo. Esparza las bayas en una placa para horno para permitir que se congelen de manera individual. Las bayas congeladas en un bloque grande serían difíciles de sellar al vacío, debido a las pequeñas burbujas de aire que se formarían entre las bayas.</i>			
QUESO	Refrigerador	De 1 a 2 semanas	De 4 a 8 meses
<i>Si el queso envasado al vacío se utiliza de manera frecuente, asegúrese de que la bolsa de vacío sea lo suficientemente larga para permitir varios sellados. Para el queso rallado, coloque un paño de papel dentro de la bolsa de vacío, arriba del queso, para evitar que se succione en la selladora al vacío o que interfiera con el sellado de la bolsa.</i>			
GALLETAS, GALLETAS SALADAS, PAN que se abren de manera periódica	Temperatura ambiente	De 1 a 2 semanas	De 3 a 6 semanas
<i>Freeze soft airy foods for 1-2 hours prior vacuum packing, to retain shape & texture.</i>			
PASTA, GRANOS, FRUTOS SECOS NUECES	Temperatura ambiente Temperatura ambiente	6 meses 6 meses	De 1 año a 1 año y medio 2 años
<i>Los alimentos secos con bordes filosos deben envolverse en un paño de papel o algún otro elemento para evitar que los bordes filosos perforen la bolsa de vacío.</i>			
LECHUGA	Refrigerador	De 3 a 6 días	2 semanas
<i>Lave y seque cuidadosamente los vegetales de hojas antes de envasarlos al vacío.</i>			
VEGETALES	Congelador	8 meses	2 años y medios
<i>Para maximizar el sabor de los vegetales, sumérgalos en agua hirviendo antes de envasarlos al vacío. Sumergirlos en agua hirviendo cocina los vegetales durante un tiempo breve y sella el sabor, el color y la textura y conserva los vegetales cocidos, pero aún crocantes. Los vegetales pueden cocinarse parcialmente en agua hirviendo en el microondas; la mayoría de los vegetales solo requieren de 2 a 5 minutos (la mazorca de maíz requiere de 6 a 11 minutos). Luego sumerja los vegetales en agua fría para detener el proceso de cocción. Seque los vegetales, luego enváselos al vacío.</i>			

Cuadro adaptado de Dr. G.K.York, Dept. of Food Science & Tech (Dept. de ciencia y tecnología alimenticia), U of California, Davis.

SEGURIDAD DE LOS ALIMENTOS

Hay que seguir ciertas reglas básicas al manejar alimentos. Las reglas son **COCINAR, SEPARAR, LIMPIAR** y **ENFRIAR**.

COCINAR

Es muy importante cocinar los alimentos a una temperatura interna que destruya cualquier bacteria que esté presente. Últimamente se ha puesto mucha atención en la higiene de las hamburguesas y otros alimentos elaborados con carne molida y con razón. Cuando se muele la carne, las bacterias presentes en la superficie se revuelven en toda la mezcla de la carne molida. Si la carne molida no se cuece a por lo menos 71°C a 74°C (160°F - 165°F), no se destruyen las bacterias y hay una buena posibilidad de enfermarse.

Las piezas de carne sólida, como los filetes y las chuletas, no tienen en su interior bacterias peligrosas como le E. coli, por lo que pueden servirse menos cocidas. Aun así, cualquier corte de vacuno debe cocinarse a una temperatura interna de por lo menos 63°C (145°F) (medio cocido). La temperatura recomendable para las aves es de 75°C (165°F) y los cortes sólidos de carne de puerco deben cocinarse a 71°C (160°F).

SEPARAR

SIEMPRE DEBE separar los alimentos que se comen crudos y los que se vayan a cocer antes de comerse. La contaminación cruzada se presenta cuando la carne o los huevos crudos entran en contacto con alimentos que se van a consumir sin cocimiento. Ésta es una importante causa de intoxicaciones. Siempre use una doble envoltura para la carne cruda y colóquela en la repisa más baja del refrigerador, para que no haya manera de que su jugo gotee en las verduras frescas. Use la carne cruda 1 o 2 días después de comprarla, o congélela para guardarla más tiempo. Descongele la carne congelada en el refrigerador, no en el mesón de la cocina.

Cuando ase o cocine carne o pescado crudo, coloque la carne ya cocida en un platón limpio. No use el mismo platón que usó para llevar la carne al asador. Lave los utensilios usados en el asador después de haber volteado los alimentos por última vez, así como las cucharas y espátulas usadas para freír o para voltear la carne al estarla cocinando.

No olvide lavarse las manos después de manejar carne o huevos crudos. Es absolutamente necesario lavarse las manos con agua y jabón o usar una toallita húmeda antibacteriana después de tocar carne o huevos crudos. No lavarse las manos o las superficies cuando se cocina es una causa importante de contaminación cruzada.

LIMPIAR

Lávese las manos y las superficies de trabajo con frecuencia mientras esté cocinando. Lávese con agua tibia y jabón durante por lo menos 15 segundos; después séquese con una toalla de papel.

ENFRIAR

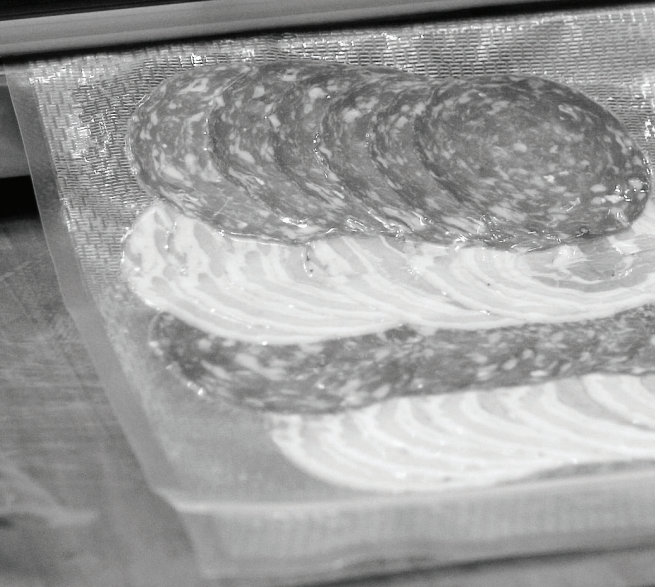
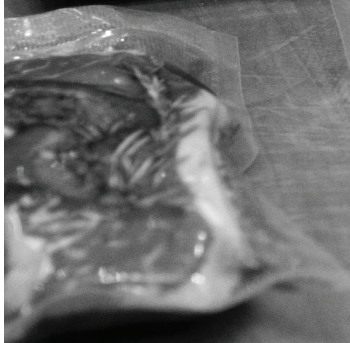
Es muy importante enfriar los alimentos. La zona de peligro para la multiplicación de bacterias está entre los 4 °C y 60 °C (40 °F - 140 °F). El refrigerador debe estar a 4 °C (40 °F) o menos; el congelador debe estar a -17 °C (0 °F) o menos. Regla básica: sirva calientes los alimentos calientes y sirva fríos los alimentos fríos. Use platos calientes para mantener caliente la comida a la hora de servirla. Use baños de agua con hielo para mantener fría la comida fría. Nunca deje ningún alimento a temperatura ambiente por más de 2 horas; o por más de 1 hora si la temperatura ambiente es de 32 °C (90 °F) o superior. Cuando empaque para un picnic, asegúrese de que la comida ya esté fría cuando la meta en la canasta aislada. La canasta no enfría la comida; sólo la mantiene fría si está debidamente empacada con hielo. Los alimentos cocidos calientes deben colocarse en recipientes bajos y refrigerarse de inmediato para que se enfríen rápidamente. No olvide cubrir los alimentos una vez que se enfríen.

NOTA: Debe tener especial consideración al usar venado y otra carne de caza, ya que puede contaminarse durante la preparación de campo. El venado suele mantenerse a temperaturas que podrían permitir el crecimiento de bacterias, como cuando se transporta. Consulte con el Departamento de Carnes y Aves de la USDA si tiene más preguntas o quiere más información sobre higiene de carne y alimentos.

WESTON
PRO-2300
VACUUM
SEALER

CHECK BEFORE USE
1. Check the vacuum seal.
2. Check the vacuum seal.
3. Check the vacuum seal.
4. Check the vacuum seal.
5. Check the vacuum seal.
6. Check the vacuum seal.
7. Check the vacuum seal.
8. Check the vacuum seal.
9. Check the vacuum seal.
10. Check the vacuum seal.

- PUMP
- MANUAL SEAL
- SEAL
- SEAL



INFORMACIÓN DE GARANTÍA WESTON

¡GUARDE ESTA INFORMACIÓN DE GARANTÍA PARA SUS REGISTROS!

Weston Brands, LLC garantiza al COMPRADOR AL DETALLE ORIGINAL de este producto que si funciona en cumplimiento con las instrucciones impresas adjuntas, entonces por un periodo de 2 años desde la fecha de compra, el producto se considerará libre de defectos respecto del material y mano de obra.

La Tarjeta de Garantía, junto con una copia del recibo original debe ser recibida por Weston Brands, LLC dentro de 30 días desde la fecha de compra para hacer efectiva la garantía. Si no se envía la Tarjeta de Garantía completamente llena, junto con una copia del recibo original, anulará la garantía.

El producto debe ser enviado o despachado mediante flete prepagado a Weston Brands LLC para efectuar los servicios establecidos en la garantía, en su envase original o en un envase similar que garantice igual grado de protección. El daño producto del despacho no es responsabilidad de la compañía. Weston Brands, LLC cobra \$35.00 por concepto de mesón por hora. NOTA: Las reparaciones no se iniciarán sin la autorización del cliente. El costo por despacho de devolución al cliente se agregará a la factura por reparación.

Antes de devolver el producto para la Reparación según la Garantía, el producto debe estar completamente limpio y libre de partículas de alimentos u otros fragmentos. El incumplimiento del comprador respecto de esta norma resultará en el envío de la unidad sin reparación. En algunos casos, podría aplicar un sobrecargo de \$50 por concepto de limpieza.

Weston Brands, LLC reparará (o a su decisión, cambiará) el producto sin costo, si a juicio de la compañía, se ha demostrado que está defectuoso respecto de la mano de obra y material del vendedor, dentro del periodo de garantía.

Los cambios de productos nuevos o reacondicionados por partes defectuosas de fábrica serán suministrados por dos (2) años desde la fecha de compra. Las partes cambiadas están garantizadas por el resto del periodo original de garantía.

Para las reparaciones que no estén cubiertas en la garantía, comuníquese con Servicio al Cliente de Weston Brands, LLC al 1-800-814-4895 de lunes a viernes, desde las 8 a.m. hasta las 5pm ET (Desde fuera de los Estados Unidos comuníquese al 001-440-638-3131) para solicitar un Número de Autorización de Devolución de la Mercadería (Número RMA). Weston Brands, LLC rechazará todo envío que no contenga este número. NO DEVUELVA LA UNIDAD SIN LA AUTORIZACIÓN DE WESTON BRANDS, LLC.

LIMITACIONES: La garantía queda invalidada si el producto se utiliza para algún objetivo que no sea aquél para el cual está diseñado. El producto no debe haber sido previamente alterado, reparado, ni tampoco se le debe haber hecho servicio técnico por cualquier otra persona que no sea de Weston Brands, LLC. Si corresponde, no se debe alterar o eliminar el número de serie. El producto no debe estar sujeto a accidentes durante el transporte o estando en posesión del cliente, no debe ser mal usado, mal tratado, u operado en forma contraria a las instrucciones de este manual. Esto incluye toda falla causada por negligencia de mantenimiento razonable o necesaria, voltaje de línea inadecuado o actos de la naturaleza. Esta garantía es intransferible y sólo se aplica a ventas realizadas en Estados Unidos y Canadá.

Salvo en la medida en que lo prohíba la ley correspondiente, ninguna otra garantía expresa o implícita, incluyendo comerciabilidad o aptitud de la garantía para un objetivo en particular, aplicará a este producto. Bajo ninguna circunstancia Weston Brands, LLC será responsable de daños emergentes sostenidos en conexión con dicho producto y Weston Brands, LLC no asume ni autoriza a ningún representante u otra persona a asumir por él ninguna obligación o responsabilidad que no sea aquella expresamente establecida en esta tarjeta de garantía. Toda garantía correspondiente implícita también se limita a un periodo de dos (2) años de la garantía limitada.

Esta garantía cubre sólo el producto y sus partes específicas, no cubre los alimentos u otros productos procesados en él. Weston no se hace responsable por partes faltantes o dañadas en productos con descuento/en oferta, reventa, o en promoción final, sobre los cuales el vendedor puede no ser capaz de garantizar una funcionalidad completa, o la integridad de la unidad.

CORTE POR LA LÍNEA PUNTEADA Y ENVÍE LA TARJETA DE GARANTÍA JUNTO CON UNA COPIA DE SU RECIBO DE COMPRA ORIGINAL A:

Weston Brands, LLC / WARRANTY
20365 Progress Drive, Strongsville, OH 44149 USA

TARJETA DE GARANTÍA WESTON

ENVÍE ESTA TARJETA JUNTO CON UNA COPIA DE SU RECIBO DE COMPRA ORIGINAL A: WESTON BRANDS, LLC/WARRANTY, 20365 PROGRESS DRIVE, STRONGSVILLE, OH 44149 USA

Nombre del Cliente: _____

Dirección: _____

Ciudad/Estado/Código Zip/País: _____

Número Telefónico: _____

Dirección de Correo Electrónico: _____

Copia del recibo
incluido

Fecha de Compra Original: _____

Modelo del Producto #: _____

de Serie (Si corresponde): _____



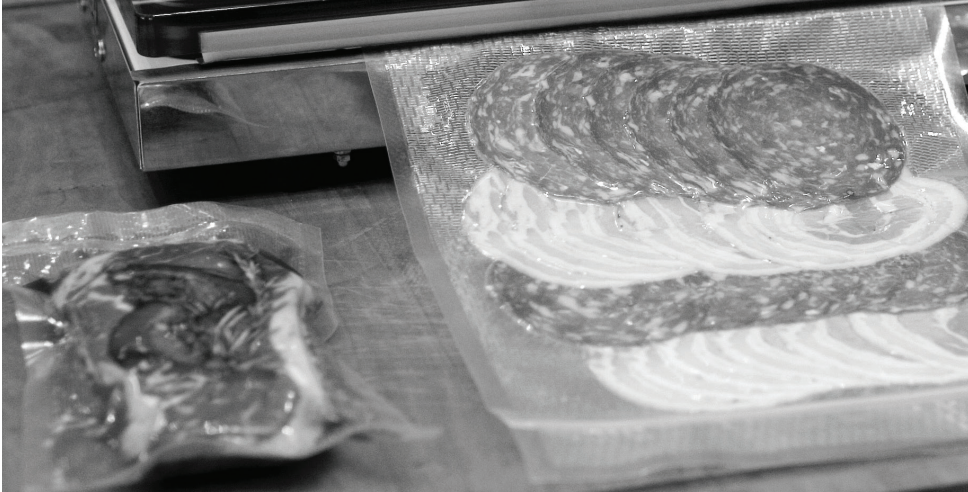
WESTON

RECONNECT WITH REAL FOOD

WESTON
PRO-2300
VACUUM
SEALER

READ ME FIRST! PLEASE
1. Read the manual carefully before using.
2. Do not use the sealer for anything other than what it is designed for.
3. Do not use the sealer for anything other than what it is designed for.
4. Do not use the sealer for anything other than what it is designed for.
5. Do not use the sealer for anything other than what it is designed for.
6. Do not use the sealer for anything other than what it is designed for.
7. Do not use the sealer for anything other than what it is designed for.
8. Do not use the sealer for anything other than what it is designed for.
9. Do not use the sealer for anything other than what it is designed for.
10. Do not use the sealer for anything other than what it is designed for.

POWER
VACUUM SEAL
LOCK
UNLOCK



65-0201 MONTRÉ

PRO-SERIES

SCELLEUSE SOUS VIDE

PRO 2100 65-0101 / PRO 2300 65-0201

PARCE QUE NOS PRODUITS BÉNÉFICIENT DE PERFECTIONNEMENTS CONSTANTS APPORTÉS EN USINE, LES ILLUSTRATIONS PRÉSENTES PEUVENT ÊTRE LÉGÈREMENT DIFFÉRENTES DU PRODUIT REÇU. 021115

⚠️ IMPORTANTES RÈGLES DE SÉCURITÉ

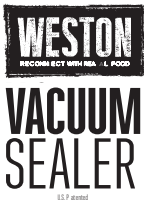
LIRE ET COMPRENDRE COMPLÈTEMENT TOUTES LES DIRECTIVES ET AVERTISSEMENTS AVANT D'UTILISER CE PRODUIT. LE PLUS IMPORTANT EST VOTRE SÉCURITÉ! LE DÉFAUT D'OBSERVER LES PROCÉDURES ET MISES EN GARDE PEUT ENTRAÎNER DES BLESSURES GRAVES OU DES DOMMAGES MATÉRIELS. N'OUBLIEZ PAS : VOTRE SÉCURITÉ PERSONNELLE EST VOTRE RESPONSABILITÉ!

1. TOUJOURS DÉBRANCHER la scelleuse sous vide de la source électrique (prise) avant un entretien, le remplacement d'accessoires ou le nettoyage de l'appareil.
2. Brancher la scelleuse sous vide sur une prise de courant murale standard de 120 V, 60 Hz. Éviter si possible l'utilisation de rallonges.
3. NE PAS UTILISER la scelleuse sous vide en cas d'endommagement du cordon, de la fiche ou de toute autre pièce. Appeler le service à la clientèle si le cordon ou la scelleuse subissent des dommages. NE PAS TENTER DE REMPLACER LE CORDON D'ALIMENTATION. Vérifier que le cordon n'empiète pas sur l'espace de travail. S'assurer que les pièces fonctionnent bien, et conformément à leur emploi défini. Regarder s'il n'y a pas d'anomalie risquant de nuire au fonctionnement de l'appareil.
4. Ne JAMAIS utiliser un accessoire ou une pièce d'un autre fabricant. Cela ANNULERAIT LA GARANTIE et pourrait provoquer un incendie, une décharge électrique ou des blessures.
5. Minimiser le risque d'un démarrage accidentel : avant de brancher l'appareil, regarder si son interrupteur est sur OFF (Arrêt).
6. Veiller à TOUJOURS GARDER LES DOIGTS À BONNE DISTANCE de la bande de scellement à chaud et des bandes de ruban, car ces pièces deviennent TRÈS CHAUDES. Toucher ces pièces pourrait causer des brûlures.
7. NE PAS désosser cet appareil : cela ANNULERAIT LA GARANTIE et pourrait causer des blessures. PRÉVENTION DES DÉCHARGES ÉLECTRIQUES : NE PAS IMMERGER LA SCELLEUSE SOUS VIDE. REGARDER SI LA SCELLEUSE EST DÉBRANCHÉE AVANT DE LA NETTOYER. Suivre les instructions de nettoyage de ce livret. NE JAMAIS rincer une scelleuse sous le robinet.
8. NE JAMAIS LAISSER LA SCELLEUSE SANS SURVEILLANCE. Par mesure de précaution, DÉBRANCHER la scelleuse de la prise murale avant de quitter l'aire de travail. L'utilisation d'un appareil à proximité d'enfants exige une surveillance étroite. Cet appareil ne doit PAS être utilisé par des enfants.
9. NE PAS laisser pendre le cordon du plan de travail.
10. Vérifier la stabilité de la scelleuse sur le plan de travail, ainsi que la stabilité des pieds.
11. NE PAS utiliser la scelleuse à l'extérieur.
12. NE PAS utiliser la scelleuse après avoir pris des drogues ou de l'alcool.
13. La scelleuse sous vide doit être utilisée UNIQUEMENT avec des SACS SOUS VIDE. Pour obtenir les meilleurs résultats, utiliser uniquement les sacs sous vide recommandés. NE PAS UTILISER DES SACS À USAGE DOMESTIQUE ! Toute utilisation contre-indiquée de cette scelleuse sous vide risque d'endommager l'appareil et pourrait annuler la garantie !



WARNING: READ
THIS MANUAL CAREFULLY
BEFORE USING THIS APPLIANCE.
Failure to follow the instructions
may result in property damage,
personal injury, or death.
Always use common sense.
Do not use this appliance if you
are unable to understand the
instructions or if you are unsure
of any part of the operation.
Do not use this appliance if you
are under the influence of
alcohol or drugs.
Do not use this appliance if you
are unable to lift or carry the
appliance.
Do not use this appliance if you
are unable to reach the controls.
Do not use this appliance if you
are unable to see the controls.
Do not use this appliance if you
are unable to hear the controls.
Do not use this appliance if you
are unable to feel the controls.
Do not use this appliance if you
are unable to smell the controls.
Do not use this appliance if you
are unable to taste the controls.
Do not use this appliance if you
are unable to touch the controls.
Do not use this appliance if you
are unable to hear the controls.
Do not use this appliance if you
are unable to see the controls.
Do not use this appliance if you
are unable to feel the controls.
Do not use this appliance if you
are unable to smell the controls.
Do not use this appliance if you
are unable to taste the controls.
Do not use this appliance if you
are unable to touch the controls.

CAUTION



WESTON
RECOMMECT™ MADE IN U.S.A.

VACUUM SEALER
U.S.P. Patent

QUICK REFERENCE GUIDE

AUTOMATIC VACUUM SEAL

1. **PLUS** power cord into 120-Volt outlet
2. Turn the **POWER SWITCH** to the "ON" position
3. Place **VACUUM BAG** OPEN END INTO **VACUUM CHAMBER** (See Instruction Book for Details)
4. **CLOSE LID** - APPLY PRESSURE to **HANDLE** - push **START** button
5. The machine will **VACUUM** and **SEAL** automatically*

MANUAL SEAL MODE

MANUAL SEAL MODE is used to disengage the vacuum pump and engage the sealing function manually

1. Follow steps 1-4 of the Automatic Vacuum Seal Instructions
2. When the desired vacuum is reached, press the **MANUAL SEAL** **BUTTON**
3. The machine will begin sealing the bag

* The Sealing Time is pre-set to 3 seconds. The Cooling Time is pre-set to 3 seconds. THIS IS ONLY A QUICK REFERENCE GUIDE. THOROUGHLY READ AND UNDERSTAND THE SUPPLIED INSTRUCTION MANUAL BEFORE USING THIS APPLIANCE.

POWER ●

VACUUM ●

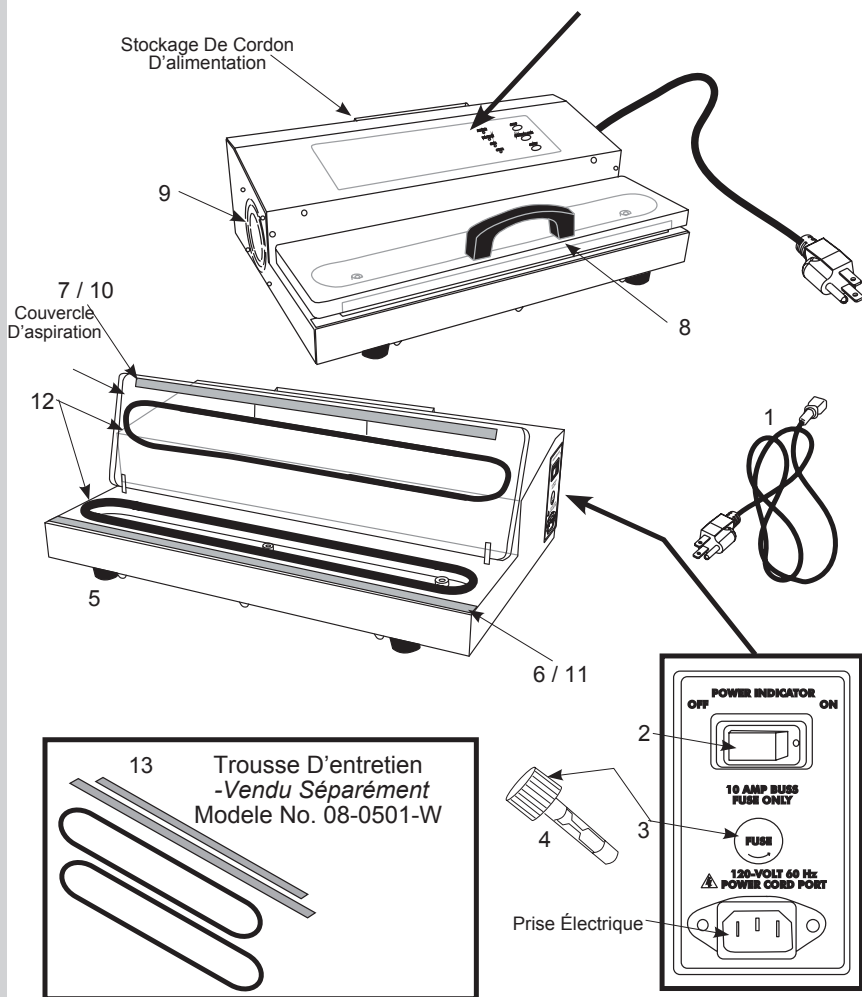
SEAL ●

COOL ●

STOP ●

MANUAL SEAL ●

START ●



DESCRIPTION DE LA PIÈCE

NUMÉRO DE SCHÉMA	DESCRIPTION DE LA PIÈCE	NUMÉRO DE LA PIÈCE
1	CORDON D'ALIMENTATION	08-0402
2	INTERRUPTEUR/VOYANT D'ALIMENTATION	65-0110
3	PORTE-FUSIBLE	08-0404
4	FUSIBLE BUSS 10 AMPÈRES	08-0405
5	PIED EN CAOUTCHOUC	08-0407
6	ÉLÉMENT CHAUFFANT DE LA BANDE DE SCELLEMENT AVEC VIS	08-0427
7	COUVERCLE ET JOINT D'ASPIRATION	08-0430
8	POIGNÉE DU COUVERCLE AVEC VIS	08-0434
9	VENTILATEUR INTERNE	08-0443
10	10MM BANDES SUPÉRIEURE RUBAN	
11	15MM BANDES INFÉRIEURE RUBAN* *REMARQUE : UN RUBAN SUPPLÉMENTAIRE EST FOURNI AVEC L'APPAREIL COMME PIÈCE DE RECHANGE.	08-0426
12	GARNITURE OVALE DU CANAL D'ASPIRATION (2)	08-0429
13	TROUSSE D'ENTRETIEN - VENDU SÉPARÉMENT (2) GARNITURE OVALE DU CANAL D'ASPIRATION, (1) 10MM BANDES SUPÉRIEURE RUBAN, (1) 15MM BANDES INFÉRIEURE RUBAN)	08-0501-W

N'hésitez pas à visiter notre site [Web WestonProducts.com/support](http://WebWestonProducts.com/support) si un composant est cassé, l'outil fonctionne mal, ou pour commander un nouveau mode d'emploi.

WestonProducts.com

Veillez appeler Weston Brands, LLC au numéro sans frais : 1-800-814-4895
Du lundi au vendredi: de 8h00 à 17h00 ET. En dehors des États-Unis, veuillez
appeler le 001-440-638-3131

RUBAN PROTECTEUR

La scelleuse sous vide est protégée par deux (2) bandes de ruban, posées en usine.

NE PAS ENLEVER CES BANDES !

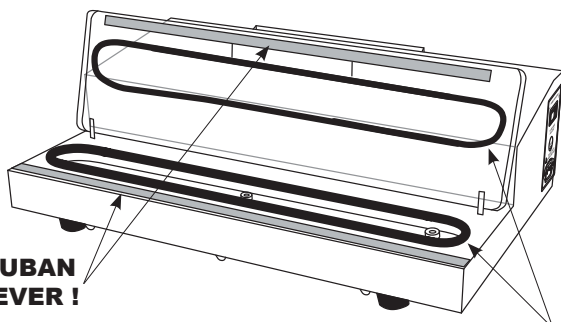


FIGURE 1

**BANDE DE RUBAN
NE PAS ENLEVER !**

**GARNITURES OVALES DU CANAL
D'ASPIRATION DO
NE PAS ENLEVER !**

L'élément chauffant de la bande de scellement et le joint du couvercle sont recouverts d'un ruban bandes de ruban qui protège les sacs sous vide pendant le scellage (cf. Figure 1). NE PAS enlever ces rubans. Consulter la section Instructions d'entretien pour savoir comment remplacer, s'il y a lieu, un bande de ruban.

*REMARQUE : un bande de ruban supplémentaire est fourni avec l'appareil comme pièce de rechange.

INSTRUCTIONS DE NETTOYAGE

AVERTISSEMENT! Avant de procéder à l'entretien, au montage ou au démontage de la scelleuse, vérifier qu'elle est ÉTEINTE et que sa FICHE EST DÉBRANCHÉE DE LA PRISE/SOURCE D'ALIMENTATION !

- . NE JAMAIS IMMERGER la scelleuse.
- . Attendre le refroidissement intégral de la scelleuse avant de la nettoyer.
- . Passer un chiffon humide ou un essuie-tout sur les surfaces externes, notamment sur le canal d'aspiration et le couvercle. La majorité des nettoyeurs ménagers en aérosol sont sans danger pour l'appareil. Éviter de vaporiser le nettoyeur directement sur l'évent (côté gauche de l'appareil). NE PAS utiliser des abrasifs ! En effet, les abrasifs détruiraient le brillant du couvercle.
- . Prendre garde pendant le nettoyage de ne pas détacher ou endommager les deux bandes de ruban qui recouvrent l'élément chauffant et le joint du couvercle.
- . Sécher les surfaces et fermer le couvercle avant de ranger la scelleuse.

GARNITURE DU CANAL D'ASPIRATION

Deux garnitures ovales, superposées en usine, cerclent le canal d'aspiration. Lorsque l'on ferme le couvercle et exerce une pression, les deux garnitures forment un joint qui rend le canal d'aspiration hermétique.

Ces garnitures s'useront au fil du temps et devront être remplacées. Consulter la section Instructions d'entretien pour savoir comment remplacer, s'il y a lieu, les garnitures ovales du canal d'aspiration.

VENTILATEUR

Le ventilateur interne de la scelleuse tourne après que l'on a branché et allumé celle-ci. Pour économiser l'énergie, éteindre et débrancher l'appareil au repos.

LIMITEUR DE SURCHARGE

La scelleuse sous vide s'éteint automatiquement en cas de surchauffe. Si cela se produit, mettre l'interrupteur sur Arrêt (Off), puis ouvrir le couvercle. Laisser refroidir l'appareil (env. 20 minutes) avant de le rallumer.

Pour éviter les surchauffes, ouvrir le couvercle et patienter au moins 20 secondes entre chaque scellage. Ne pas toucher le bande de ruban, car il demeure très chaud pendant un moment après un scellage.

INTERRUPTEUR DE POSITION

En mode manuel, l'interrupteur de position de la scelleuse sous vide désactive l'élément chauffant de la bande de scellement lorsque le couvercle est ouvert. En effet, la chaleur produite par l'élément chauffant est absorbée par le sac sous vide et le joint du couvercle lorsque celui-ci est fermé.

Mais s'il est ouvert, la chaleur produite n'a plus aucune avenue de diffusion ; l'appareil risque alors de subir des dommages.

REMARQUE: La scelleuse sous vide doit être utilisée **UNIQUEMENT** avec des SACS SOUS VIDE. Pour obtenir les meilleurs résultats, utiliser uniquement les sacs sous vide recommandés. **NE PAS UTILISER DES SACS À USAGE DOMESTIQUE !** Toute utilisation contre-indiquée de cette scelleuse sous vide risque d'endommager l'appareil et pourrait annuler la garantie !

INSTRUCTIONS DE MISE À LA TERRE

MISE À LA TERRE

Cet appareil doit être mis à la terre lorsqu'il est utilisé afin de protéger son utilisateur contre les décharges électriques. Cet appareil est équipé d'un cordon d'alimentation polarisé et d'une fiche à trois lames permettant de le brancher à une prise de courant mise à la terre. La fiche de cet appareil ressemble à celle illustrée à la figure A. Un adaptateur, illustré à la figure B, doit être utilisé pour brancher la fiche polarisée dans une prise de courant à deux trous. La patte de mise à la masse qui dépasse de l'adaptateur doit être branchée à une masse permanente, comme une prise de courant correctement mise à la terre, à l'aide d'une vis en métal, comme il est illustré à la figure C.

RALLONGES

Utiliser uniquement des fiches rallonges polarisées qui comportent des fiches à trois lames et des connecteurs de rallonges à trois lames pouvant accepter la fiche polarisée de cet appareil. Utiliser uniquement des rallonges ayant une classification électrique égale ou supérieure à celle de l'appareil. NE PAS utiliser de rallonges endommagées. Vérifier l'état de la rallonge avant de l'utiliser et la remplacer si elle est endommagée. NE PAS faire une utilisation abusive de la rallonge et ne pas la débrancher en tirant sur le cordon. Garder le cordon d'alimentation à bonne distance de la chaleur et des rebords tranchants.

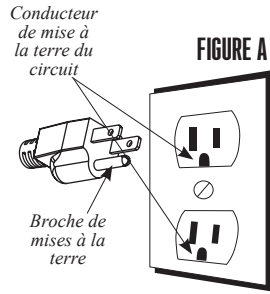


FIGURE A

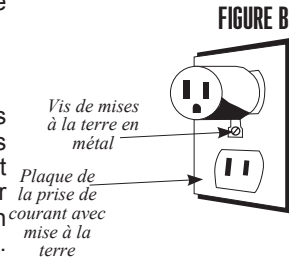


FIGURE B

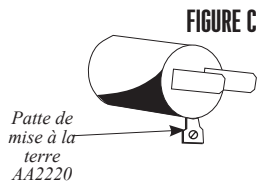


FIGURE C

ALIMENTATION ÉLECTRIQUE

Insérer le connecteur du cordon d'alimentation dans la prise droite de l'appareil. Brancher la fiche du cordon sur une prise électrique standard de 120 V avec mise à la terre (Figure 2). NE PAS modifier la fiche du cordon pour l'adapter à une prise incompatible.

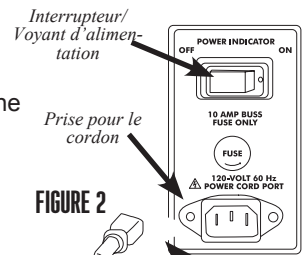
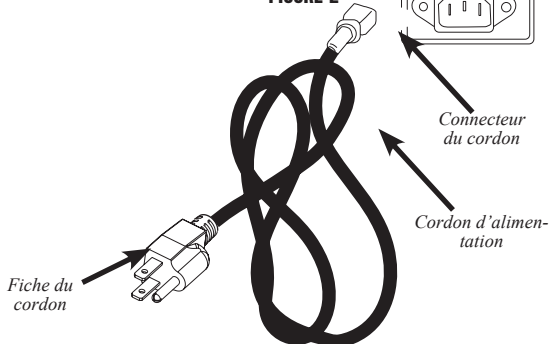


FIGURE 2



TOUCHES DE COMMANDE

TOUCHE STOP (ARRÊT)

Appuyer sur la touche Stop pour arrêter l'aspiration. **FIGURE 3**

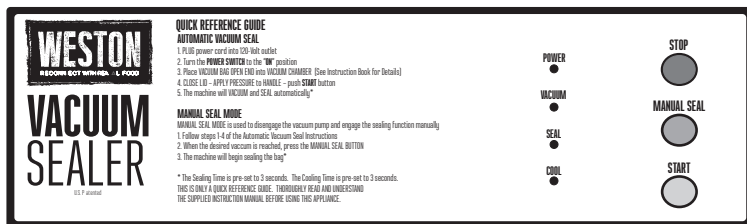
TOUCHE MANUAL SEAL (SCELLAGE MANUEL)

Appuyer sur la touche Manual Seal pendant l'aspiration pour exécuter le scellage (avant que la pression à vide préréglée soit atteinte). **FIGURE 3**

TOUCHE START (DÉMARRAGE)

Appuyer sur la touche Start pour démarrer l'aspiration (le scellage du sac sera alors automatique lorsque la pression à vide préréglée est atteinte). **FIGURE 3**

FIGURE 3



MODE D'EMPLOI

AVERTISSEMENT! Avant de procéder à l'entretien, au montage ou au démontage de la scelleuse, vérifier qu'elle est ÉTEINTE et que sa FICHE EST DÉBRANCHÉE DE LA PRISE/SOURCE D'ALIMENTATION !

. MISE EN GARDE : L'élément chauffant de la bande de scellement et le joint du couvercle deviennent BRÛLANTS ! Prendre garde de ne pas les toucher. Placer les sacs avec prudence sur le canal d'aspiration.

. NE PAS tenter d'ouvrir le couvercle avant la fin de l'aspiration, car l'appareil pourrait être endommagé.

. Patienter au moins 20 secondes entre chaque scellage pour que l'appareil ne surchauffe pas.

. NE PAS aspirer des liquides dans l'orifice d'aspiration, sinon l'appareil subira des dommages. S'il le faut, appuyer sur le bouton Stop pour arrêter l'aspiration. Utilisez le Manual Seal Button D'EMBALLAGE SOUS VIDE liquides.

. La scelleuse sous vide doit être utilisée UNIQUEMENT avec des SACS SOUS VIDE. Pour obtenir les meilleurs résultats, utiliser uniquement les sacs sous vide recommandés. NE PAS UTILISER DES SACS À USAGE DOMESTIQUE ! Toute utilisation contre-indiquée de cette scelleuse sous vide risque d'endommager l'appareil et pourrait annuler la garantie.

1. S'assurer que la scelleuse sous vide est éteinte (interrupteur sur OFF [Arrêt]). Brancher la scelleuse sur la prise murale.

2. Allumer la scelleuse (interrupteur sur ON [Marche]).

3. Le voyant POWER sur le tableau et l'interrupteur d'alimentation s'allument ; le ventilateur interne commence à tourner.

4. Ouvrir le couvercle.

5. Remplir un sac avec le produit souhaité à emballer sous vide. Laisser un espace d'au moins 5 cm (2 po) entre l'extrémité ouverte du sac et le produit.
FIGURE 4

6. Placer l'extrémité ouverte du sac à l'intérieur du canal d'aspiration. Centrer le sac sur le canal d'aspiration. Rapprocher le sac de l'orifice d'aspiration, sans recouvrir ce dernier. Prendre garde de ne pas toucher les bandes de ruban, qui risquent d'être très chaudes à la suite d'un scellage précédent.

7. Fermer le couvercle d'aspiration. Le sac doit être parfaitement lisse autour de la zone de scellage.

8. À l'aide de la poignée, appuyer fermement sur le couvercle pour créer un joint hermétique.

9. Appuyer sur la touche START pour démarrer l'aspiration (le voyant VACUUM s'allumera). Relâcher la poignée dès que l'appareil commence à comprimer le sac. Le scellage du sac est automatique lorsque la pression à vide prééglée est atteinte dans le canal d'aspiration. Le scellage prend 3 secondes (le voyant SEAL s'allumera).

10. Pour sceller manuellement un sac appuyer au besoin sur la touche Manual Seal pendant l'aspiration.

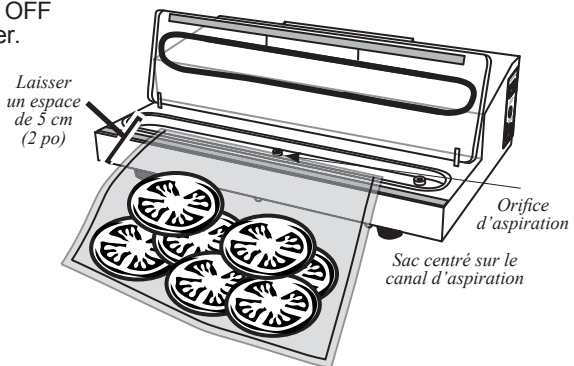
11. Arrêter l'aspiration au besoin en appuyant sur la touche STOP.

12. L'emballage sous vide est terminé lorsque le canal d'aspiration évacue l'air après un refroidissement de 3 secondes (le voyant COOL s'allumera). Cet échappement est audible.

13. Ouvrir le couvercle, puis sortir le sac. **NE PAS** tenter d'ouvrir le couvercle avant la fin de l'aspiration, car l'appareil pourrait être endommagé. Patienter au moins 20 secondes avant un autre scellage pour que l'appareil ne surchauffe pas.

14. En fin d'utilisation, éteindre l'appareil (interrupteur sur OFF [Arrêt]), puis le débrancher.

FIGURE 4



REMARQUE: La scelleuse sous vide doit être utilisée **UNIQUEMENT** avec des **SACS SOUS VIDE**. Pour obtenir les meilleurs résultats, utiliser uniquement les sacs sous vide recommandés. **NE PAS UTILISER DES SACS À USAGE DOMESTIQUE !** Toute utilisation contre-indiquée de cette scelleuse sous vide risque d'endommager l'appareil et pourrait annuler la garantie !

FABRICATION D'UN SAC SUR MESURE AVEC UN ROULEAU

1. S'assurer que la scelleuse sous vide est éteinte (interrupteur sur OFF [Arrêt]). Brancher la scelleuse sur la prise murale.
2. Allumer la scelleuse (interrupteur sur ON [Marche]).
3. Le voyant POWER sur le tableau et l'interrupteur d'alimentation s'allument ; le ventilateur interne commence à tourner.
4. Ouvrir le couvercle.
5. Couper le rouleau bien droit à la longueur souhaitée.
6. Placer l'une des extrémités du sac sur la garniture ovale. Ne pas laisser le sac glisser dans le canal d'aspiration.
7. Fermer le couvercle d'aspiration. Le sac doit être coincé entre le joint du couvercle et l'élément chauffant de la bande de scellement. Le sac doit être parfaitement lisse autour de la zone de scellage.
8. À l'aide de la poignée, appuyer fermement sur le couvercle. Il faudra parfois tenir le sac.
9. Appuyer sur la touche START pour activer la pompe et l'élément chauffant. Appuyer sur la touche Manual Seal pour sceller le sac.
10. L'emballage sous vide est terminé lorsque le canal d'aspiration évacue l'air après un refroidissement de 3 secondes (le voyant COOL s'allumera). Cet échappement est audible.
11. Ouvrir le couvercle, puis sortir le sac. NE PAS tenter d'ouvrir le couvercle avant la fin de l'aspiration, car l'appareil pourrait être endommagé. Patienter au moins 20 secondes avant un autre scellage pour que l'appareil ne surchauffe pas.
12. En fin d'utilisation, éteindre l'appareil (interrupteur sur OFF [Arrêt]), puis le débrancher.

INSTRUCTIONS D'ENTRETIEN

AVERTISSEMENT! Avant de procéder à l'entretien, au montage ou au démontage de la scelleuse, vérifier qu'elle est ÉTEINTE et que sa FICHE EST DÉBRANCHÉE DE LA PRISE/SOURCE D'ALIMENTATION !

Certaines pièces de la scelleuse sous vide devront être remplacées après avoir été souvent utilisées. Une trousse d'entretien (vendue séparément, réf. no 08-0501-W) sera alors nécessaire pour que la scelleuse sous vide continue de bien fonctionner.

REPLACEMENT DES GARNITURES OVALES DU CANAL D'ASPIRATION :

- 1 Éteindre la scelleuse sous vide, puis la débrancher.
2. S'assurer que l'appareil a entièrement refroidi.
3. Ouvrir le couvercle.
4. Déloger la garniture ovale dans le couvercle d'aspiration.
5. Déloger la garniture ovale autour du canal d'aspiration.
6. Poser une garniture neuve dans la gorge autour du canal d'aspiration. Étendre et mettre en place la garniture.

7. Poser une garniture neuve dans la gorge du couvercle d'aspiration. Étendre et mettre en place la garniture.

REPLACEMENT DU BANDES DE RUBAN:

*REMARQUE : un bandes de ruban supplémentaire est fourni avec l'appareil comme pièce de rechange.

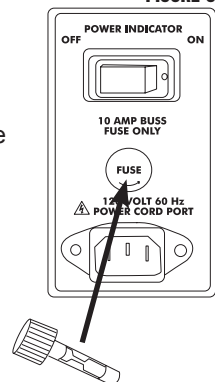
1. Éteindre la scelleuse sous vide, puis la débrancher.
2. S'assurer que l'appareil a entièrement refroidi.
3. Ouvrir le couvercle.
4. Gratter l'une des extrémités du bandes de ruban sur l'élément chauffant jusqu'à ce qu'elle se relève un peu. Saisir l'extrémité relevée, puis détacher lentement tout le ruban en l'enroulant sur lui-même.
5. Répéter l'étape 4 pour retirer le bandes de ruban sur le joint du couvercle. Veiller à NE PAS enlever le joint.
6. Enlever la pellicule arrière du ruban neuf large, destiné à l'élément chauffant de la bande de scellement. Le bandes de ruban ne doit rien toucher, y compris lui-même, lorsque son adhésif est à découvert.
7. Tenir chaque extrémité du bandes de ruban dans une main. Coller l'extrémité gauche du ruban sur la zone plate du canal d'aspiration, juste à gauche de l'élément chauffant. Appliquer le bandes de ruban de gauche à droite sur l'élément chauffant, en veillant à ne faire aucun pli. Le bandes de ruban doit recouvrir entièrement l'élément chauffant de la bande de scellement.
8. Enlever la pellicule arrière du ruban neuf étroit, destiné au joint sous le couvercle. Coller l'extrémité gauche du bandes de ruban sur l'extrémité gauche du joint. Les extrémités du ruban et du joint doivent se confondre. Appliquer le bandes de ruban de gauche à droite sur le joint du couvercle, en veillant à ne faire aucun pli. Le bandes de ruban doit recouvrir entièrement le joint intérieur du couvercle.

REPLACEMENT DU FUSIBLE

Si la scelleuse sous vide ne fonctionne pas lorsqu'elle est branchée et allumée, faire les vérifications suivantes :

1. Regarder si le fusible a sauté. Le fusible se trouve à droite sur l'appareil, juste au-dessus de la prise du cordon. Éteindre la scelleuse (interrupteur sur OFF [Arrêt]), puis la débrancher. Dévisser et retirer le capuchon, puis sortir et examiner le fusible. La bande mince de métal au centre du fusible doit être propre et intacte. Si elle est fondue ou rompue, remplacer le fusible par un neuf de 10 ampères. Revisser le capuchon.
2. Regarder si le connecteur du cordon est enfoncé complètement dans la prise de l'appareil.
3. Examiner le cordon pour voir s'il est intact. NE PAS utiliser un cordon d'alimentation endommagé. Appeler le service à la clientèle pour se renseigner sur le remplacement de pièces.
4. Brancher la fiche du cordon sur une autre prise électrique.

FIGURE 5



GUIDE DE CONSERVATION DES ALIMENTS EMBALLÉS

. REMARQUE IMPORTANTE : L'emballage sous vide ne remplace PAS la réfrigération. Les denrées périssables emballées sous vide doivent quand même être réfrigérées.

. NE JAMAIS décongeler des aliments à la température ambiante. Décongeler les aliments au réfrigérateur ou au micro-ondes.

. En règle générale, plus froide est la température, et plus longue sera la durée de conservation des aliments.

. Manipuler les sacs sous vide avec soin. Prendre garde de ne pas les endommager, car un sac endommagé n'est plus hermétique.

. Se référer uniquement au tableau suivant en tant que guide ! Consulter les sections Guide d'emballage sous vide et Sécurité alimentaire de ce livret. La durée réelle de conservation pourra varier. Regarder si les aliments ne sont pas gâtés avant de les consommer ou préparer.

TYPE D'ALIMENT	LIEU DE CONSERVATION	DURÉE NORMALE DE CONSERVATION	DURÉE DE CONSERVATION EMBALLÉ SOUS VIDE
TRANCHES ÉPAISSES DE VIANDE VIANDE HACHÉE POISSON	Congélateur	6 mois	2-3 ans
	Congélateur	4 mois	1 an
	Congélateur	6 mois	2 ans
<i>Pour obtenir les meilleurs résultats, précongeler la viande ou le poisson pendant 1 à 2 heures avant de les emballer sous vide, afin d'empêcher l'humidité et les jus de nuire au scellement.</i>			
GRAINS DE CAFÉ FARINE, RIZ, SUCRE	Température ambiante	4 semaines	16 mois
	Congélateur	6-9 mois	2-3 ans
	Température ambiante	6 mois	1-2 ans
<i>Pour obtenir les meilleurs résultats, laisser l'article dans son récipient ou sac d'origine, puis placer le tout dans un sac sous vide. Cela empêche ces aliments d'être aspirés et aide à bien sceller le produit.</i>			
BAIES FRAISES, FRAMBOISES, MÛRES BAIES CANNEBERGES, MYRTILLES, BLEUETS	Réfrigérateur	1-3 jours	1 semaine
	Réfrigérateur	3-6 jours	2 semaines
<i>Pour éviter que la scelleuse écrase les baies, il est préférable de les congeler avant de les emballer. Étendre les baies sur une toile à biscuits pour favoriser la congélation de chaque baie. Un gros bloc de baies congelées sera plus difficile à emballer sous vide, à cause des nombreuses petites poches d'air formées entre les baies.</i>			
FROMAGE	Réfrigérateur	1-2 semaines	4-8 mois
<i>Si le fromage emballé sous vide est utilisé fréquemment, s'assurer que le sac est suffisamment long pour permettre plusieurs scelllements. Fromage râpé : Bloquer le fromage dans le sac avec un essuie-tout replié sur le fromage pour empêcher celui-ci d'être aspiré ou de nuire au scellement.</i>			
BISCUITS, CRAQUELINS, PAINS Avec ouverture périodique	Température ambiante	1-2 semaines	3-6 semaines
<i>Précongeler les aliments mous et peu denses pendant 1 à 2 heures pour préserver leur forme et leur texture.</i>			
PÂTES, CÉRÉALES, NOIX HARICOTS SECS	Température ambiante	6 mois	1-1/2 ans
	Température ambiante	6 mois	2 ans
<i>Les aliments secs avec bords aigus doivent être enveloppés dans un essuie-tout ou un autre article pour empêcher les bords de percer le sac sous vide.</i>			
LAITUE	Réfrigérateur	3-6 jours	2 semaines
<i>Laver, puis sécher à fond les légumes à feuilles avant de les emballer sous vide.</i>			
LÉGUMES	Congélateur	8 mois	2 1/2 ans
<i>Pour conserver la saveur optimale des légumes, les blanchir avant de les emballer sous vide. Le blanchiment cuit très peu les légumes et préserve la saveur, la couleur et la texture : les légumes sont cuits croquants. Pour les blanchir, plonger les légumes dans l'eau bouillante au micro-ondes 2 à 3 minutes dans la plupart des cas (6 à 11 minutes pour les épis de maïs). Plonger ensuite les légumes dans l'eau froide pour arrêter leur cuisson. Sécher les légumes, puis les emballer sous vide.</i>			

Ce tableau est une adaptation de Dr. G.K. York, Dept. of Food Science & Tech, U of California, Davis.

SÉCURITÉ ALIMENTAIRE

Il y a des règles fondamentales à suivre lors de la manipulation d'aliments. Elles sont **CUIRE**, **SÉPARER**, **NETTOYER**, et **REFROIDIR RAPIDEMENT**.

CUIRE

Il est crucial de cuire les aliments à une température interne sûre pour détruire les bactéries qui sont présentes. La sécurité des hamburgers et autres aliments faits avec de la viande hachée a reçu dernièrement beaucoup d'attention, et pour une bonne raison. Quand la viande est hachée, les bactéries présentes sur la surface sont mélangées dans l'ensemble du mélange haché. Si cette viande hachée n'est pas cuite jusqu'à au moins 71oC à 74oC (160oF à 165oF), les bactéries ne seront pas détruites et il y a une forte chance que cela vous rendra malade.

Des morceaux solides de viande comme des steaks et côtelettes n'ont pas de bactéries dangereuses comme E. coli à l'intérieur, donc ils peuvent être servis plus saignants. Quand même, tout morceau de bœuf doit être cuit à une température interne d'au moins 63oC (145oF) (mi-saignant). La température sûre pour la volaille est 75oC (165oF) et les morceaux de viande entier de porc doivent être cuits à 71oC (160oF).

SÉPARER

Les aliments qui seront mangés crus et les aliments qui seront cuits avant d'être mangés DOIVENT TOUJOURS être séparés. La contamination croisée se produit quand des viandes crues ou des œufs viennent en contact avec des aliments qui seront mangés crus. Ceci est une source principale d'intoxication alimentaire. Enveloppez toujours deux fois les viandes crues et placez-les sur l'étagère la plus basse dans le réfrigérateur de manière qu'aucun jus ne puisse goutter sur les fruits et légumes crus. Puis utilisez les viandes crues entre 1 et 2 jours après l'achat, ou congelez-les pour les conserver plus longtemps. Décongelez les viandes congelées dans le réfrigérateur, pas sur le comptoir.

Quand vous grillez ou cuisez des viandes ou des poissons crus, assurez-vous de mettre la viande cuite sur un plat propre. N'utilisez pas le même plat que vous avez utilisé pour transporter les aliments avant de les mettre sur le grill. Lavez les ustensiles utilisés pour griller après que les aliments sont tournés pour la dernière fois sur le grill, aussi bien que les spatules et cuillers utilisées pour faire sauter à feu vif en remuant ou pour tourner la viande au fur et à mesure qu'elle cuit.

Assurez-vous de bien laver vos mains après avoir manipulé des viandes crues ou des œufs crus. Se laver les mains avec du savon et de l'eau, ou utiliser une lingette antibactérienne pré-humidifiée est absolument nécessaire après avoir touché de la viande crue ou des œufs crus. Ne pas se laver les mains et les surfaces pendant la cuisine est une cause majeure de contamination croisée.

NETTOYER

Lavez fréquemment vos mains et les surfaces de travail lorsque vous cuisinez. Lavez avec du savon et de l'eau chaude pendant au moins 15 seconds, puis séchez avec une serviette en papier.

REFROIDIR RAPIDEMENT

La réfrigération rapide des aliments est très importante. La zone de danger où les bactéries se multiplient est entre 4oC et 60oC (40oF et 140oF). Votre réfrigérateur doit être réglé à 4oC (40oF) ou en-dessous; votre congélateur doit être à -17oC (0oF) ou en-dessous. Une règle simple : servir chaud les aliments chauds, servir froid les aliments froids. Utilisez des réchauds ou plaques chauffantes pour garder les aliments chauds pendant le service. Utilisez des bains d'eau glacée pour garder au froid les aliments froids. Ne jamais laisser des aliments à la température ambiante pendant plus de deux (2) heures - 1 heure si la température ambiante est 32oC (90oF) ou au-dessus. Lorsque vous emballez les aliments pour un pique-nique, assurez-vous que les aliments sont déjà refroidis rapidement lorsqu'ils sont mis dans le panier à pique-nique isotherme. Le panier à pique-nique ne refroidira pas les aliments – il garde simplement les aliments froids lorsqu'il est emballé correctement avec de la glace. Les aliments cuits chauds doivent être placés dans des conteneurs peu profonds et immédiatement réfrigérés pour qu'ils se refroidissent rapidement. Assurez-vous de bien couvrir les aliments après qu'ils sont froids.

REMARQUE : Des considérations particulières doivent prises lors de l'utilisation de venaison ou d'autre gibier sauvage, puisqu'ils peuvent devenir très contaminés durant l'opération de dépouille. La venaison est souvent gardée à des températures qui pourraient potentiellement permettre la croissance de bactéries, tel que lorsque celle-ci est transportée. Se référer au Département de la viande et de la volaille de l'USDA (USDA Meat and Poultry Department) pour d'autres questions ou informations sur la sécurité de la viande et des aliments.

INFORMATION SUR LA GARANTIE

CONSERVEZ CETTE INFORMATION SUR LA GARANTIE POUR VOS DOSSIERS!

Weston Brands LLC garantit à l'ACHETEUR AU DÉTAIL D'ORIGINE de ce produit contre tout défaut en matériau et en main-d'œuvre pendant un (2) ans à partir de la date d'achat à condition qu'il soit utilisé conformément aux directives imprimées qui y sont jointes.

La Carte de Garantie, avec une copie du reçu original, doivent être reçus par Weston Brands LLC dans les trente (30) jours à partir de la date d'achat pour que la garantie puisse s'appliquer. Le manque d'envoyer la Carte de Garantie complètement remplie avec une copie du reçu original annulera la garantie.

Le produit doit être livré à ou expédié franco de port à Weston Brands LLC pour les services de garantie, soit dans son emballage d'origine ou un emballage similaire offrant un degré de protection équivalent. Les dommages causés par l'expédition ne sont pas la responsabilité de la société. Weston Brands LLC charge 35,00 \$ par heure pour frais de service. **REMARQUE** : Aucune réparation ne sera commencée sans l'autorisation du client. Les frais d'expédition de retour seront ajoutés à la facture de réparation.

Avant de renvoyer le produit pour une réparation sous garantie, bien nettoyer le produit pour qu'il soit exempt de toute particule alimentaire ou autres débris. Si l'acheteur ne respecte pas cette consigne, le produit lui sera renvoyé sans avoir été réparé. Dans certains, la somme de 50 dollars sera facturée pour le nettoyage.

Weston Brands LLC réparera (ou à sa discrétion, remplacera) le produit sans frais, si à l'opinion de la société, il a été prouvé être défectueux en matériau et en main d'œuvre dans la période de garantie.

Des remplacements neufs ou remis en état pour les pièces d'usine défectueuses seront fournis pendant de (2) ans à partir de la date d'achat. Les pièces de remplacement sont garanties pour le reste de la période de garantie originale.

Pour les réparations non garanties, veuillez contacter le Service à la clientèle de Weston Brands LLC au numéro sans frais 1-800-814-4895, du lundi au vendredi, de 8h00 à 17h00 ET (en dehors des États-Unis : 001-440-638-3131) pour obtenir une Autorisation de retour d'article (Numéro RMA). Weston Brands LLC refusera tous les retours qui ne contiennent pas ce numéro. **NE PAS RENVOYER CET APPAREIL SANS L'AUTORISATION CORRECTE DE Weston Brands LLC.**

LIMITATIONS : La garantie est annulée si le produit est utilisé pour toute raison autre que pour laquelle il est conçu. Le produit ne doit pas avoir été antérieurement modifié, réparé, ou entretenu par quelqu'un autre que Weston Brands LLC. Le cas échéant, le numéro de série ne doit pas être modifié ou enlevé. Le produit ne doit pas avoir été soumis à un accident en transit ou pendant qu'il est en la possession du client, mal utilisé, mal traité, ou utilisé contrairement aux directives contenues dans le manuel d'utilisation. Ceci comprend la défaillance causée par la négligence d'un entretien raisonnable et nécessaire, une tension de secteur incorrecte et des catastrophes naturelles. Cette garantie n'est pas transférable et s'applique seulement aux ventes américaines et canadiennes.

À l'exception des cas où la loi en vigueur l'interdit, aucune autre garantie, expresse ou implicite, y compris les garanties relatives au caractère adéquat pour la commercialisation ou un usage particulier, ne s'appliquera à ce produit. Weston Brands LLC ne sera en aucun cas responsable des dommages indirects liés au dit produit et Weston Brands LLC n'a aucune obligation ni responsabilité autre que celles expressément établies dans la présente, et n'autorise aucun représentant ou autre personne à les assumer pour lui. Toutes garanties implicites applicables sont aussi limitées à la période de (2) ans de la garantie limitée.

Cette garantie couvre seulement le produit et ses pièces spécifiques, pas les aliments ou autres produits traités dans celui-ci. Weston n'est pas responsable des pièces manquantes ou endommagées pour les articles réduits/en solde ou les articles finaux de vente où le vendeur peut ne pas être en mesure de garantir l'ensemble de la fonctionnalité ou l'intégralité de l'unité.

DÉCOUPEZ LE LONG DE LA LIGNE POINTILLÉE ET ENVOYEZ CETTE CARTE DE GARANTIE AVEC UNE COPIE DE VOTRE REÇU D'ACHAT ORIGINAL À :

**Weston Brands LLC / WARRANTY
20365 Progress Drive, Strongsville, OH 44149 USA**

CARTE DE GARANTIE

ENVOYEZ CETTE CARTE DE GARANTIE AVEC UNE COPIE DE VOTRE REÇU D'ACHAT ORIGINAL À :
WESTON BRANDS LLC / WARRANTY, 20365 PROGRESS DRIVE, STRONGSVILLE, OH 44149 USA

Nom du Client: _____

Adresse: _____

Province/Code postal/Région: _____

Numéro de téléphone: _____

Adresse de courrier électronique: _____

Date d'achat d'origine: _____ Copie du reçu incluse

No de modèle du produit: _____

No de série (s'il y a lieu): _____

J'ai lu les informations relatives à la garantie. Initiales ici: _____



ATTENTION!

PLEASE INSPECT THIS PACKAGE THOROUGHLY FOR MISSING PARTS OR ANY PRODUCT DAMAGE. IF YOUR PRODUCT CONTAINS SHIPPING DAMAGE, PLEASE CONTACT RETAILER FOR ASSISTANCE.

For all other questions regarding product usage, missing parts, product damage, difficulty or warranty activation, please contact the Weston Brands Customer Service Team:
8:00 am to 5:00 pm ET, Monday thru Friday

CustomerService@WestonProducts.com

U.S. Residents Customer Service Line: 1-800-814-4895 (Outside U.S. Call: 001-440-638-3131)

Weston Brands LLC, 20365 Progress Drive, Strongsville, Ohio 44149

WestonProducts.com

Please DO NOT return this item to the retailer before contacting
Weston Brands Customer Service.

SAVE THESE INSTRUCTIONS!

Refer to them often and use them to instruct others.

ATTENTION!

*VEUILLEZ INSPECTER CET EMBALLAGE AVEC SOIN POUR Y DÉTECTER
TOUTE PIÈCE MANQUANTE OU ENDOMMAGÉE.
SI DES PIÈCES ONT ÉTÉ ENDOMMAGÉES PENDANT LE TRANSPORT, VEUILLEZ
COMMUNIQUER AVEC LE DÉTAILLANT POUR OBTENIR DE L'AIDE.*

Pour toutes les autres questions concernant l'utilisation du produit, les pièces manquantes, les problèmes ou l'activation de la garantie, veuillez communiquer avec l'équipe du service clientèle des produits Weston: de 8:00 à 17:00 HNE, du lundi au vendredi.

CustomerService@WestonProducts.com

Numéro de téléphone du service clientèle pour les résidents des É.-U. : 1-440-638-3131

Numéro de téléphone à l'extérieur des É.-U. : 001-440-638-3131 Weston Brands LLC,

20365 Progress Drive, Strongsville, Ohio 44149

WestonProducts.com

Veillez communiquer avec le service clientèle des produits Weston AVANT de retourner cet appareil au détaillant.

CONSERVER CES DIRECTIVES!

Veillez les consulter fréquemment et les utiliser pour la formation.

¡ATENCIÓN!

Revise completamente el envase y compruebe que no falten partes o que algún producto esté dañado. si el producto está dañado por el transporte, solicite asistencia al distribuidor.

Para todas aquellas preguntas referentes al uso del producto, partes faltantes, daño del producto, dificultad o activación de la garantía, comuníquese con el equipo de servicio al cliente de weston Brands: desde las 8:00 am hasta las 5:00 pm ET, de lunes a viernes

CustomerService@WestonProducts.com

Línea de Servicio al Cliente para Residentes de EE.UU.: 1.800.814.4895 (Fuera de EE.UU., llame al: 001-1-440-638-3131) Weston Brands LLC, 20365 Progress Drive, Strongsville, Ohio 44149

WestonProducts.com

NO devuelva este artículo al vendedor minorista antes de comunicarse con Servicio al Cliente de Weston Brands.

¡GUARDE ESTAS INSTRUCCIONES!

Consulte estas instrucciones y úselas para enseñar sobre el uso de este producto a otras personas.