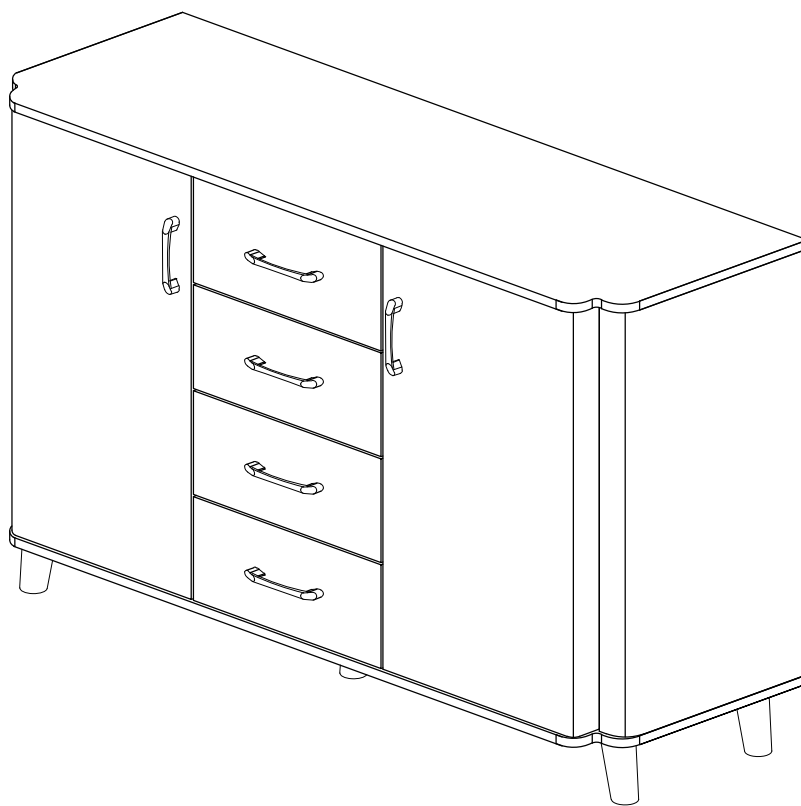


Sideboard cabinet

SKU WHIF2626



ASSEMBLY INSTRUCTIONS



100 min. assembly

2 person

*The estimated assembly time may vary depending on the individual.

Hey, there

Now is assembly time!

Deeeeep breathe.... and again....
Tools ready,
Easy peasy!

Estimated



100 min. assembly
2 person

Tools Required

- Allen Wrench(included)
- Phillips screwdriver(not included)

important: *Cautious when you use power tools*

Need Help?

Call us at +1 909 548 6688
Email customerservice@luxenhome.com
Submit a ticket on www.luxenhome.com/help

Thank you for purchasing this LuxenHome product. This product has been manufactured with the highest standards of safety and quality.

PLEASE READ ALL INSTRUCTIONS CAREFULLY BEFORE ASSEMBLY.

Unpack all parts from the packaging inside the carton to ensure there are no missing or damaged parts. Lay out all the parts on a clean, flat, and soft surface to prevent scratches. Refer to the steps provided as assembling guide.

Do not attempt to assemble or use the product if any parts are missing or damaged.

REMINDERS

SAFE USAGE IS KEY

Your well-being is our top priority when you use our product. Please prioritize your safety by diligently following the assembly guidelines and inspecting the product carefully both when it arrives and before each use.

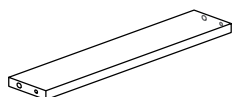
Please be aware that LuxenHome and Winsome House, Inc. cannot be held liable for any injuries or fatalities that occur due to not adhering to the provided instructions or misuse of the product.

DO NOT MODIFY

Our products undergo rigorous testing to ensure they meet established safety standards before being released for sale. Altering the product in any way can lead to serious safety concerns, for which LuxenHome cannot assume responsibility.

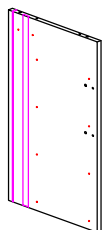
What's in the box

Parts



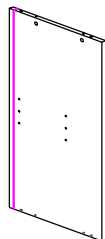
① X 2

Middle support



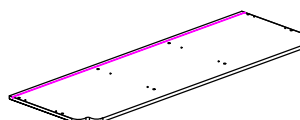
② X 1

Center panel - R



③ X 1

Center panel - L



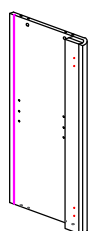
④ X 1

Bottom panel



⑤ X 1

Side panel - L



⑥ X 1

Side panel - R



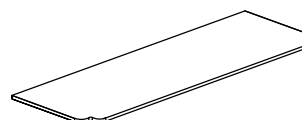
⑦ X 1

Back panel
- Middle



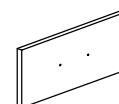
⑧ X 2

Back panel



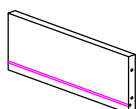
⑨ X 1

Top panel



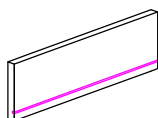
⑩ X 4

Drawer head



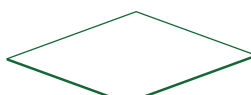
⑪ X 4

Drawer back



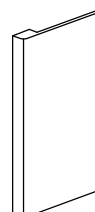
⑫ X 8

Drawer side - L/R



⑬ X 4

Drawer base



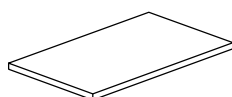
⑭ X 1

Door panel - L



⑮ X 1

Door panel - R



⑯ X 2

Shelf panel

What's in the box

Hardware & Accessory



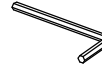
A1 X 12 (+2)
Minifix cam



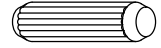
A2 X 12 (+2)
Minifix bolt



A3 X 12 (+2)
Minifix cap



A5 X 1
Allen key



B X 20 (+3)
Wood dowel
M8 x 25mm



C X 16 (+2)
Cb screw
M4 x 45mm



D X 124 (+5)
Cb screw
M3.5 x 16mm



E X 32 (+3)
Cb screw
M4 x 38mm



F X 8
Shelf support



G X 4
PVC corner
L bracket



H X 4
Hinges 7/8



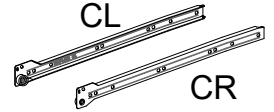
I X 14
192 Stud



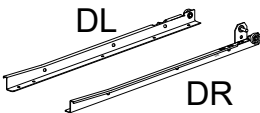
J1 X 6
Tad 23-96
PVC handle



J2 X 4
Cb screw
M4 x 28mm



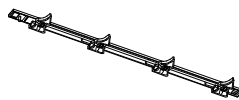
K1 X 4
Drawer slide 14"



K2 X 4
Drawer slide 14"



K3 X 1
Interlock
bracket

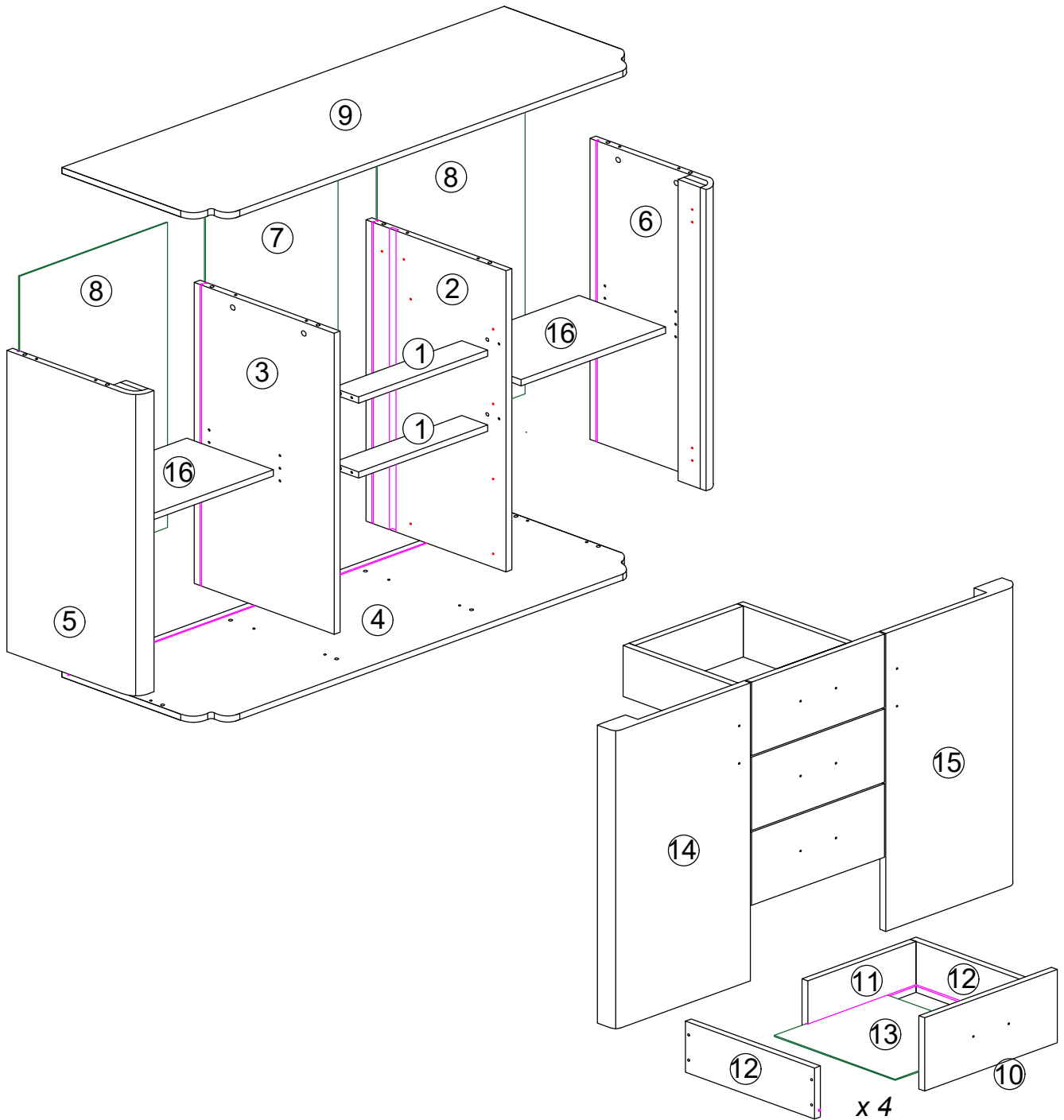


K4 X 1
Interlock rail



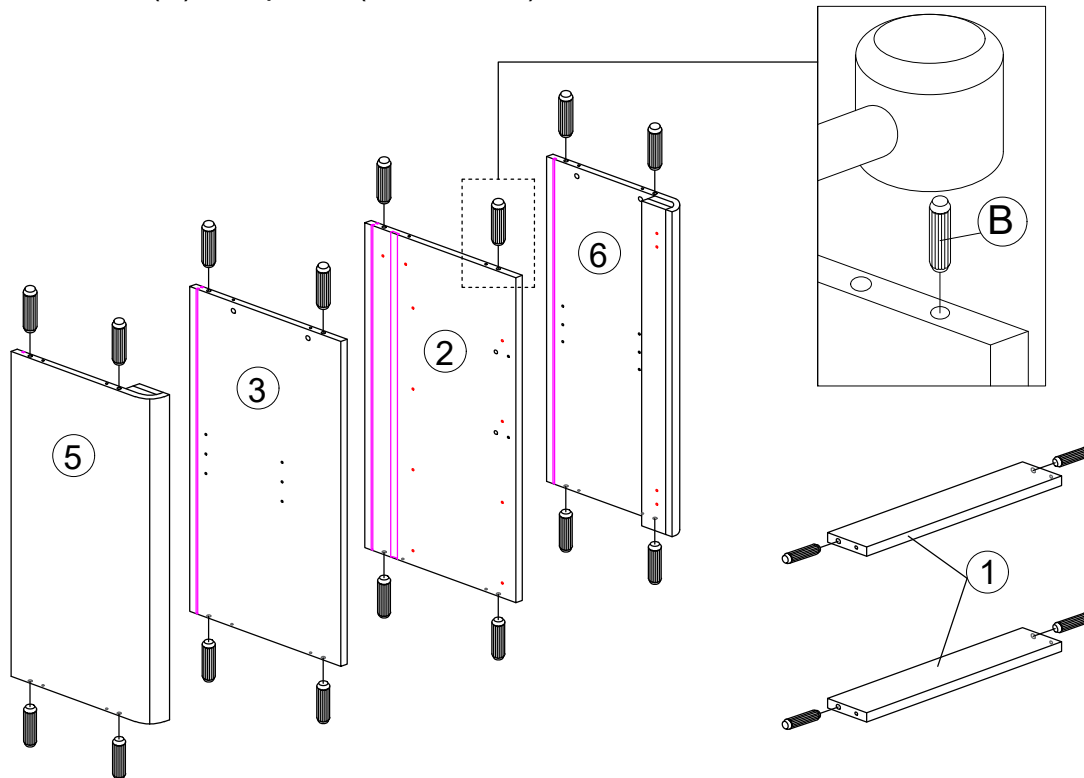
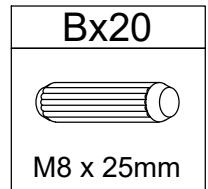
L X 5
120mm round
tapper PVC leg

Assembly



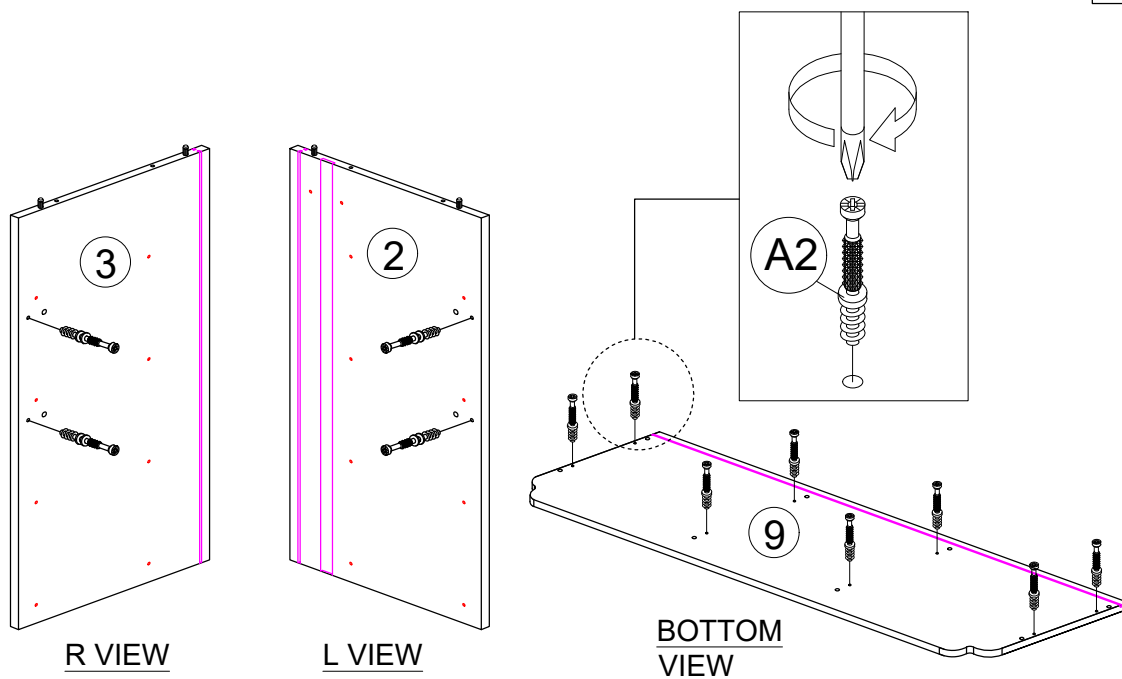
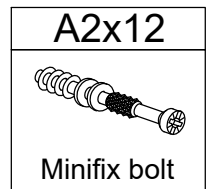
Step 1

Insert hardware (B) into panel (1,2,3,5 & 6).



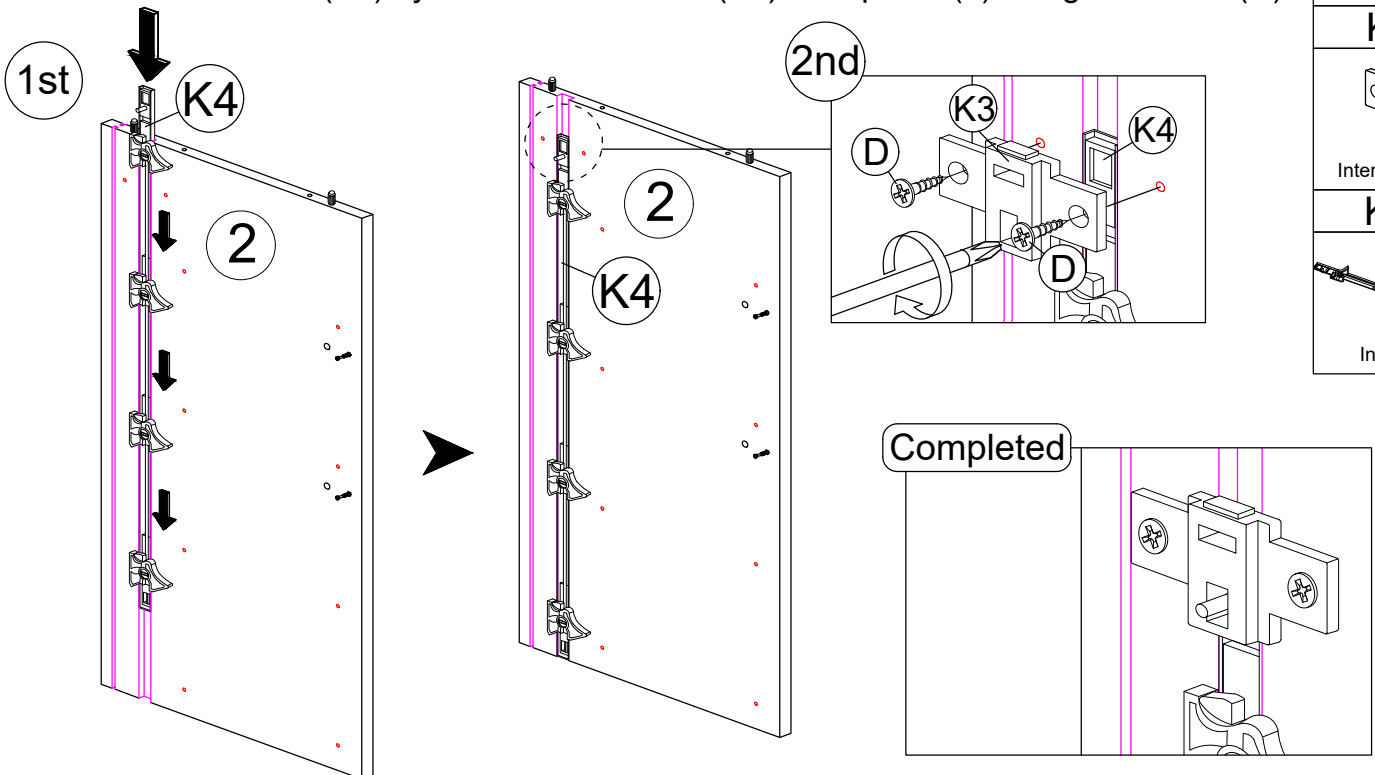
Step 2


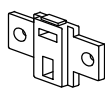
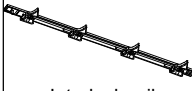
Install and tighten hardware (A2) onto panel (2,3 & 9).



Step 3

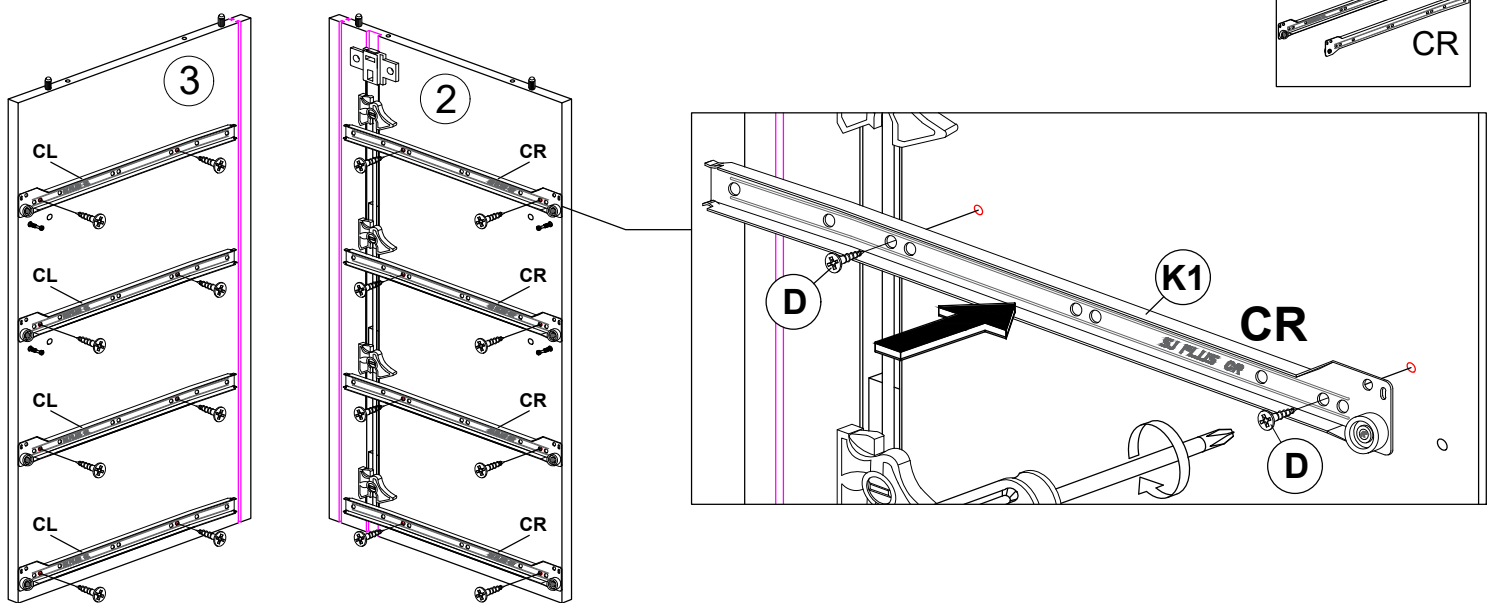
Slot in hardware (K4) into panel (2) groove. Then, connect hardware (K3) onto hardware (K4) by screw in hardware (K3) onto panel (2) using hardware (D).






Dx2

M3.5 x 16mm
K3x1

Interlock bracket
K4x1

Interlock rail

Step 4

Fix hardware (K1) onto panel (2 & 3) with hardware (D) by using screwdriver.




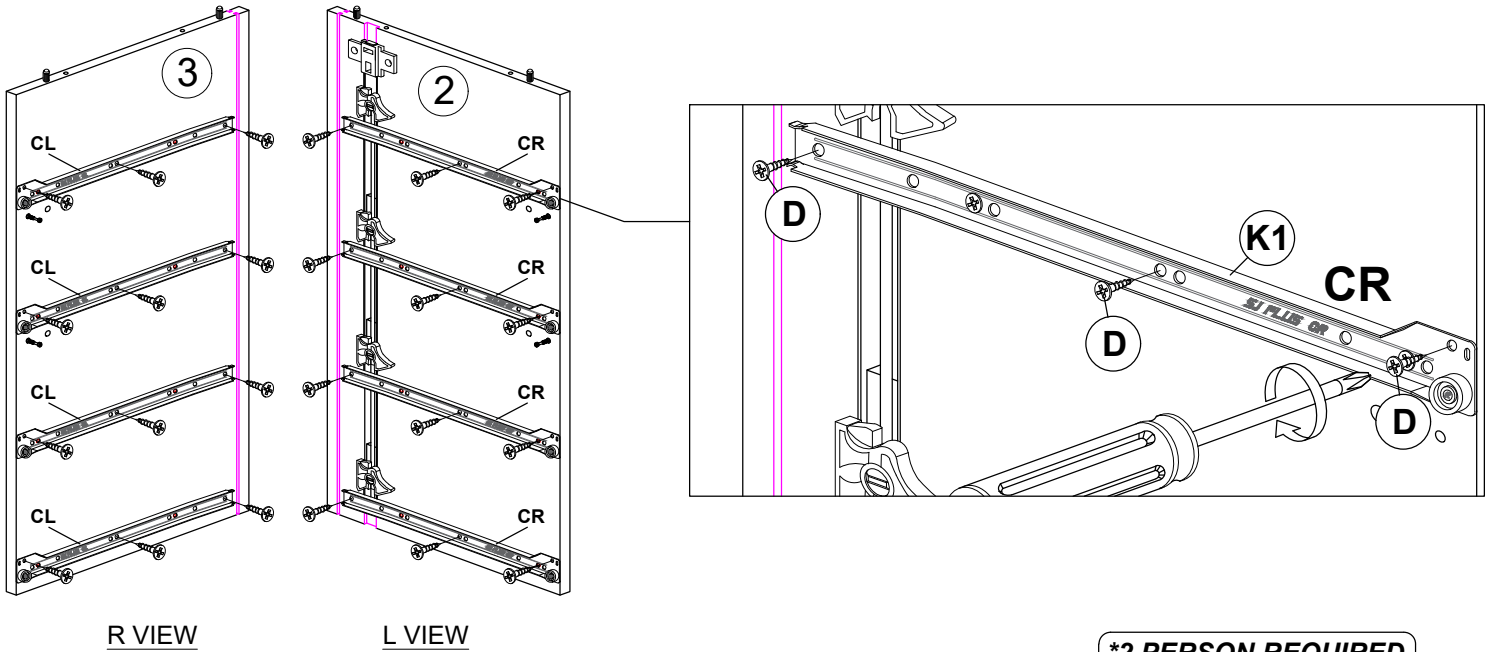
Dx16

M3.5 x 16mm
K1x4
CL

CR


***2 PERSON REQUIRED**

Step 5

Fix remaining screws (D) through hardware (K1) onto panel (2 & 3) by using screwdriver.

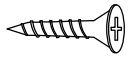
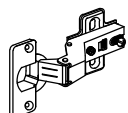


Dx24

M3.5 x 16mm

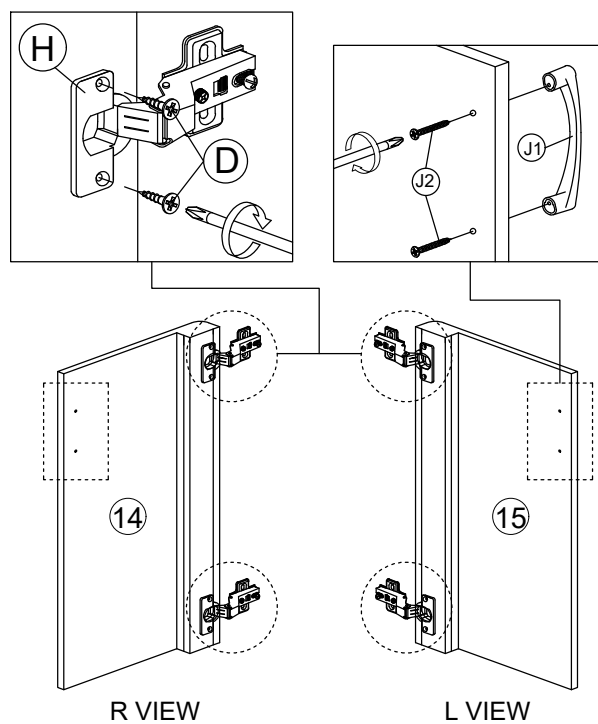


***2 PERSON REQUIRED**

Step 6

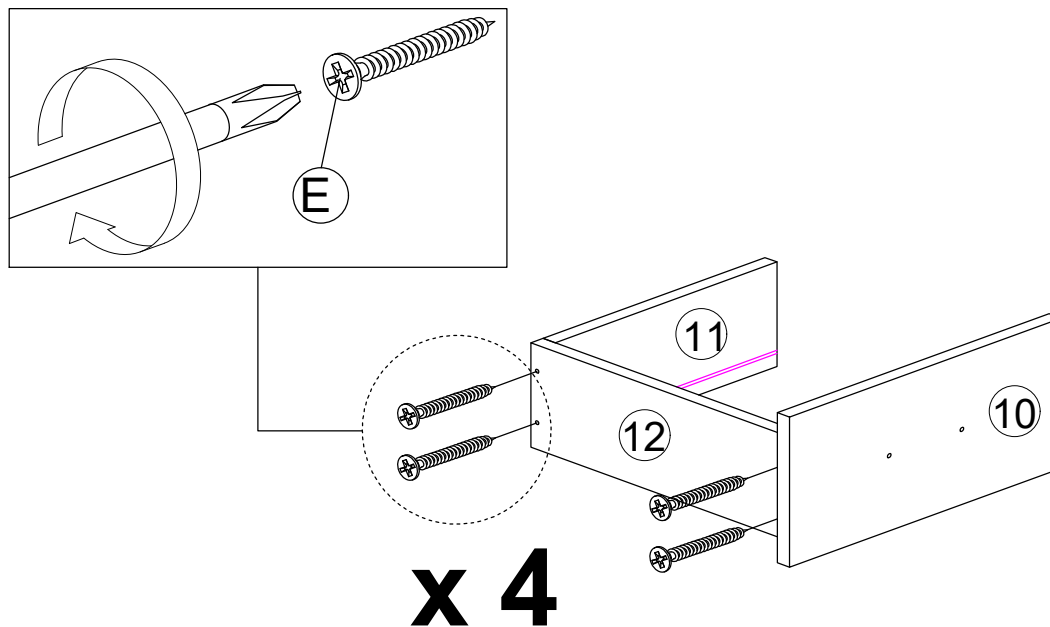
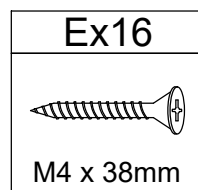
Fix hardware (H) to panel (14 & 15) by using hardware (D).
Then, fix hardware (J1) onto panel (14 & 15) by using hardware (J2).

Dx8

M3.5 x 16mm
Hx4

J1x2

J2x4

M4 x 28mm



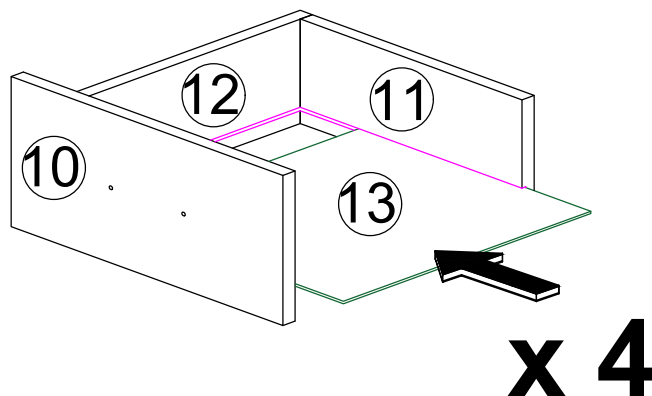
Step 7

Connect the panel (12) to panel (10 & 11) by using hardware (E).
(Repeat 4 times for 4 drawers)



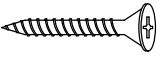
Step 8

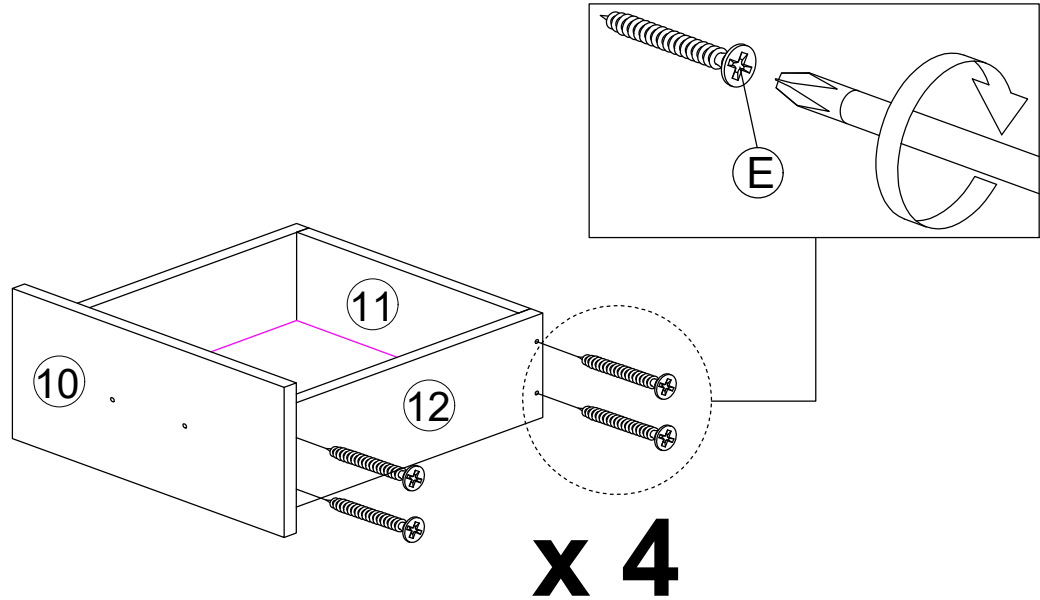
Slot in drawer base (13) in between panel (10 & 11).
(Repeat 4 times for 4 drawers)



Step 9


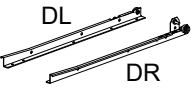
Connect the panel (12) to the assembled section panel (10 & 11) by using hardware (E). (Repeat 4 times for 4 drawers)

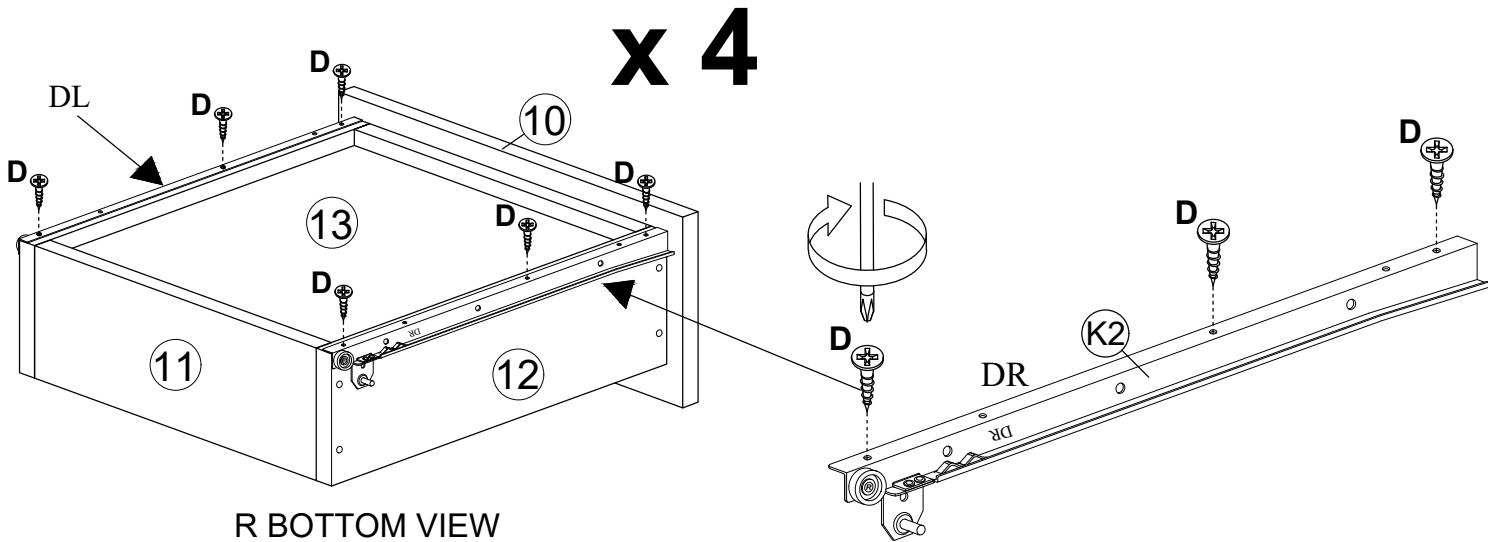
Ex16

M4 x 38mm



Step 10



Screw in hardware (K2) onto bottom side drawer with hardware (D) by using a screwdriver. (Repeat 4 times for 4 drawers)

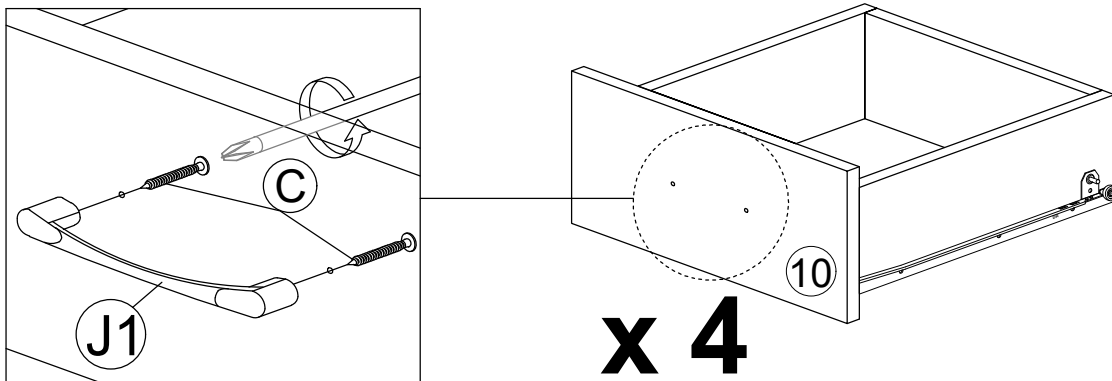
Dx24

M3.5 x 16mm
K2x4




Step 11


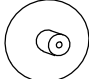
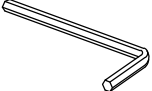
Connect hardware (J1) onto drawer head (10) by using hardware (C) and tighten it. *(Repeat 4 times for 4 drawers)*

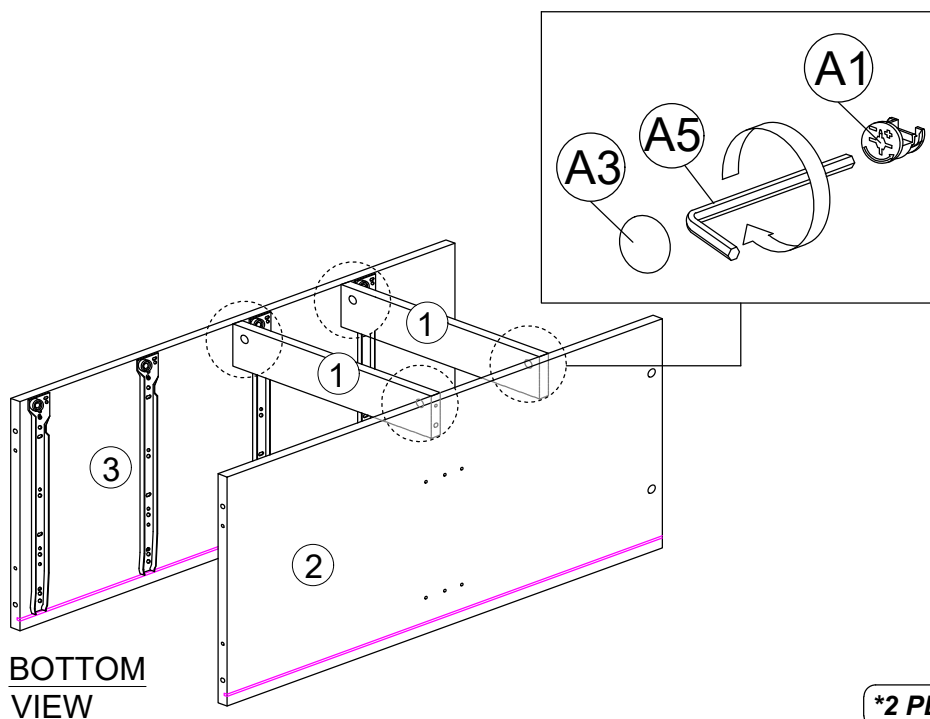
Cx8

M4 x 45mm
J1x4




Step 12

Assembled panel (2 & 3), Connect to panel (1) by using hardware (A1 & A5). Then, applied (A3) to all (A1).

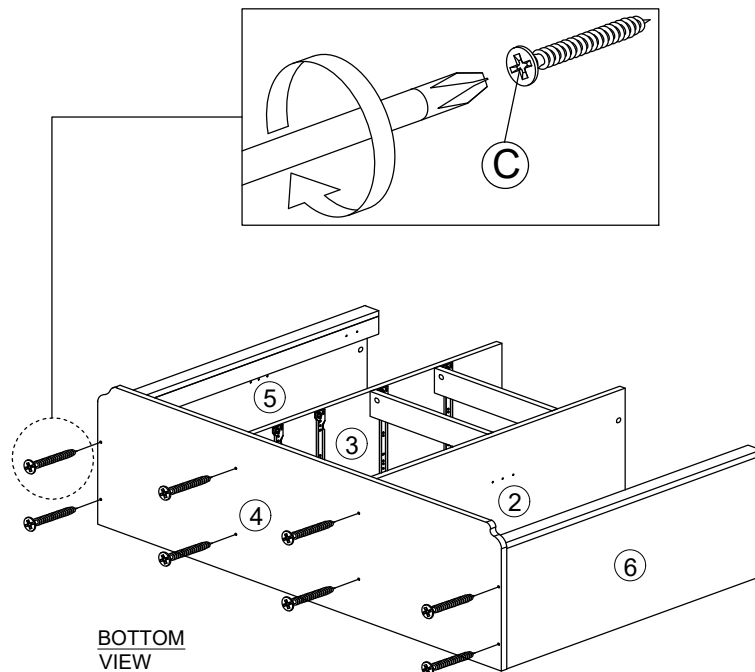
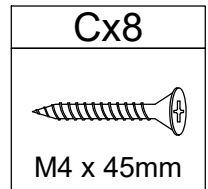
A2x4

A3x4

A5x1




***2 PERSON REQUIRED**

Step 13

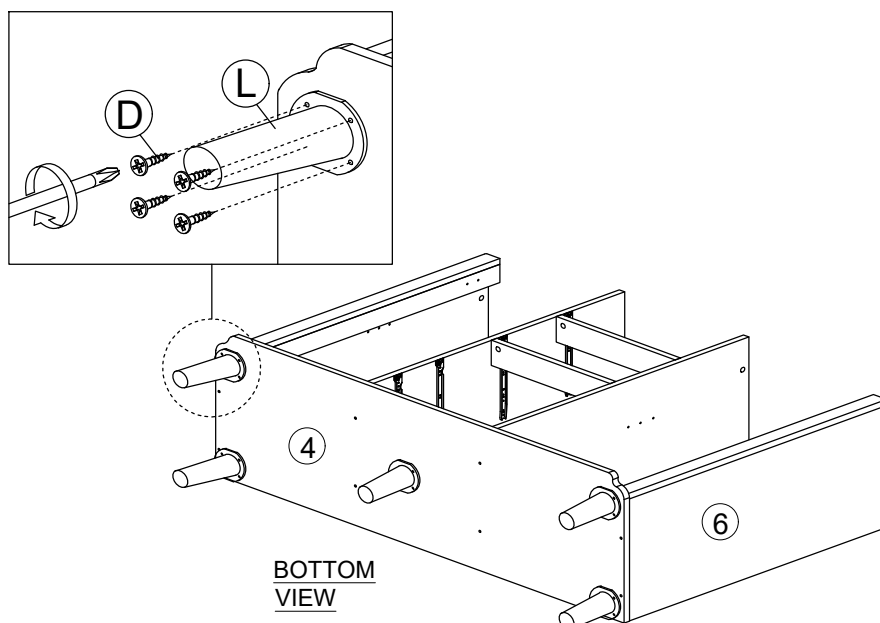
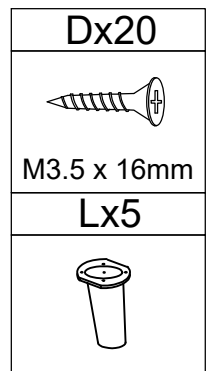
Connect the panel (4) to the panel (2,3,5 & 6) by using hardware (C).



***2 PERSON REQUIRED**

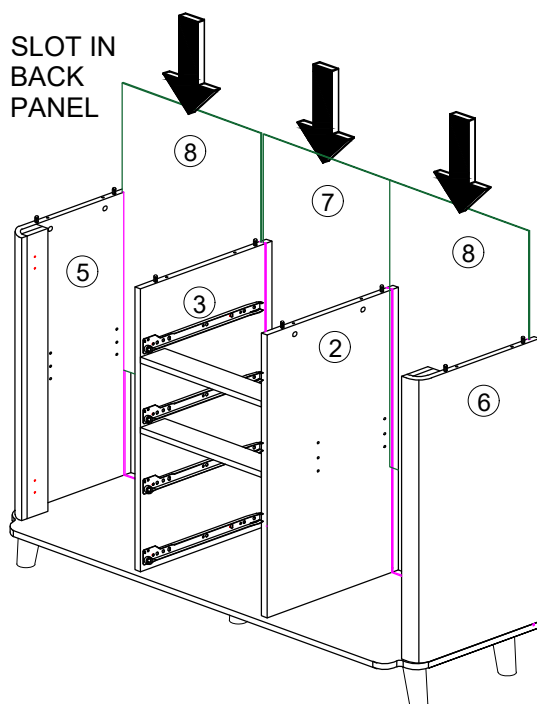
Step 14

Connect hardware (L) onto bottom side of panel (4) by using hardware (D).



Step 15

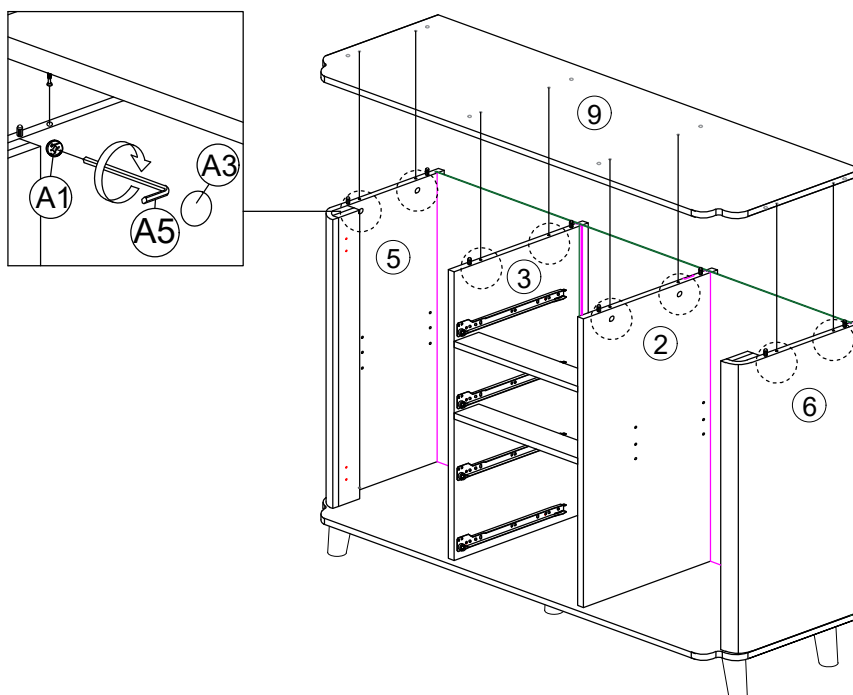
Insert back panel (7 & 8) between panel (2,3,5 & 6).



***2 PERSON REQUIRED**

Step 16

Connect the panel (9) to the assemble section panel (2,3,5 & 6) by using hardware (A1 & A5). Then, applied (A3) to all (A1).




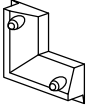
A2x8
A3x8
A5x1

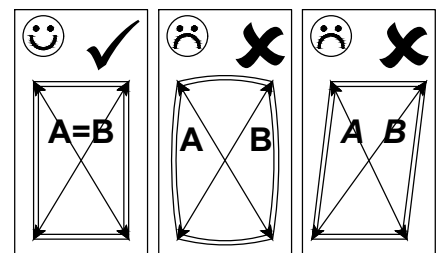
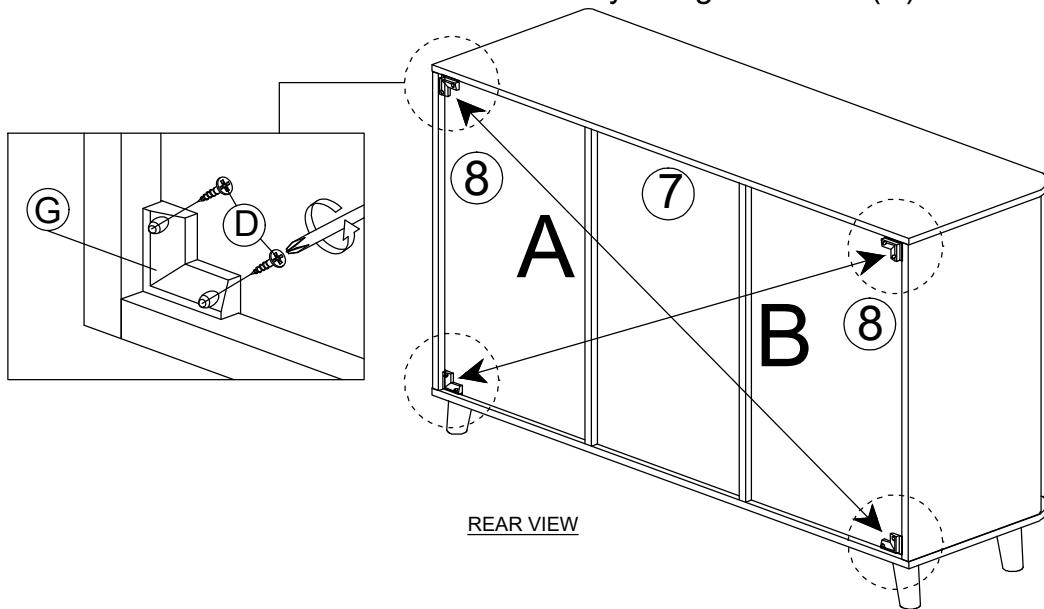
***2 PERSON REQUIRED**

Step 17

Please make sure the left and right doors are the same level and the backboard is right Angle before installing hardware (G), MUST install hardware (G) to strengthen product stability.

Screw in hardware (G) into back panel (7 & 8) by using hardware (D).

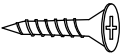
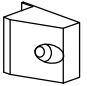
Dx8

M3.5 x 16mm
Gx4


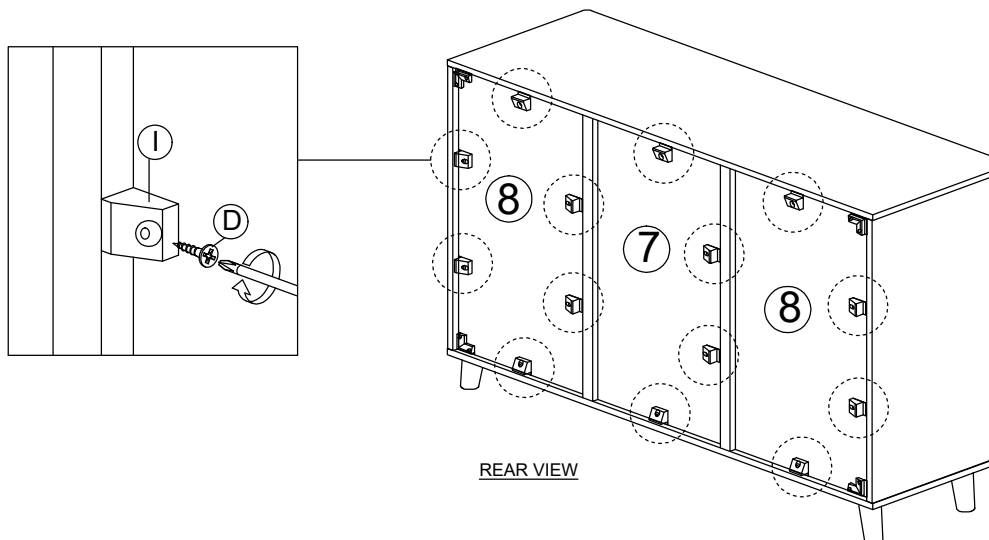


***2 PERSON REQUIRED**

Step 18

Screw in hardware (I) into back panel (7 & 8) by using hardware (D).

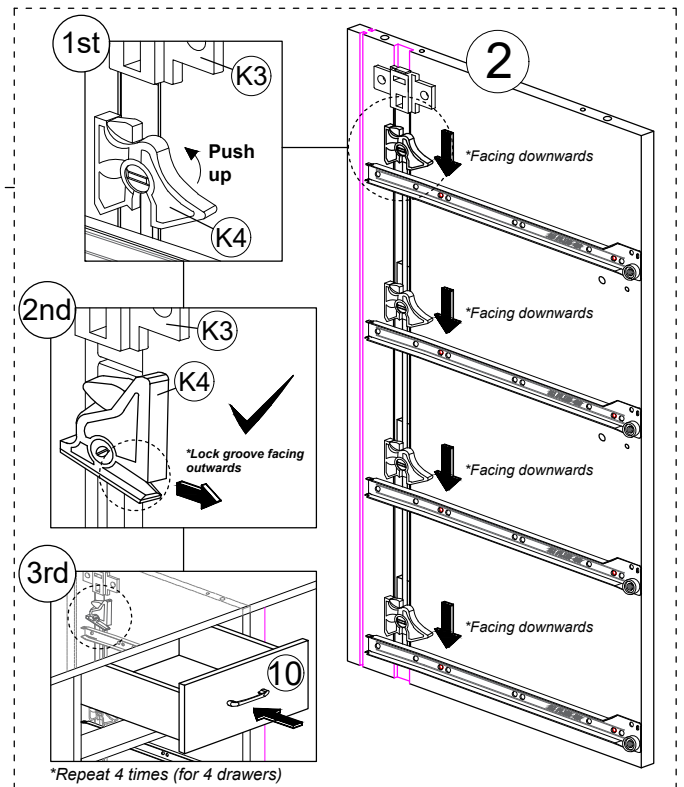
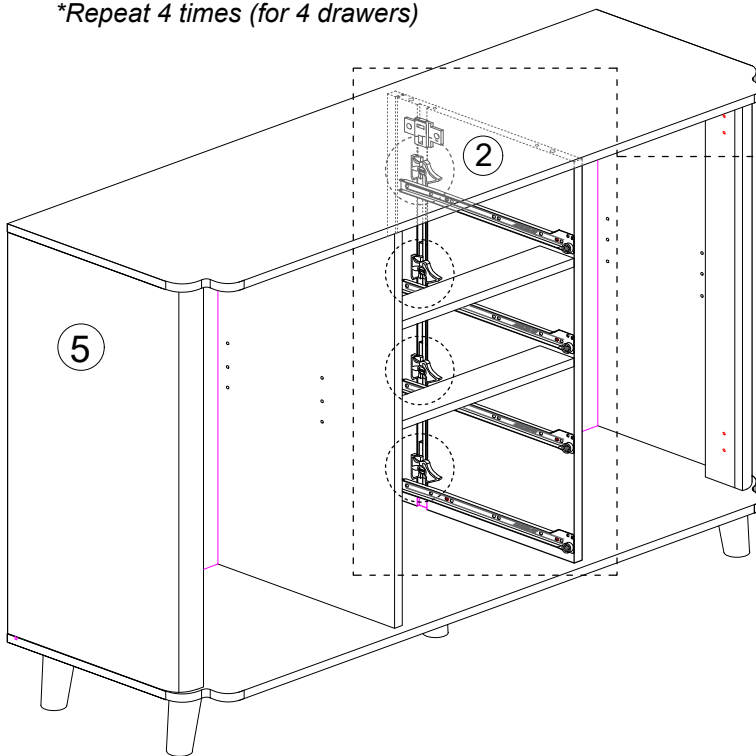
Dx14

M3.5 x 16mm
Ix14




Step 19

Push up (K4) locking mechanism every time (other 3 locking mechanism faces down) before sliding in each drawer individually.

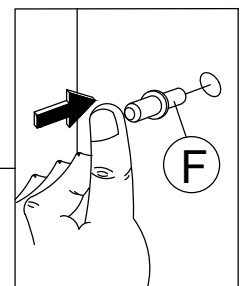
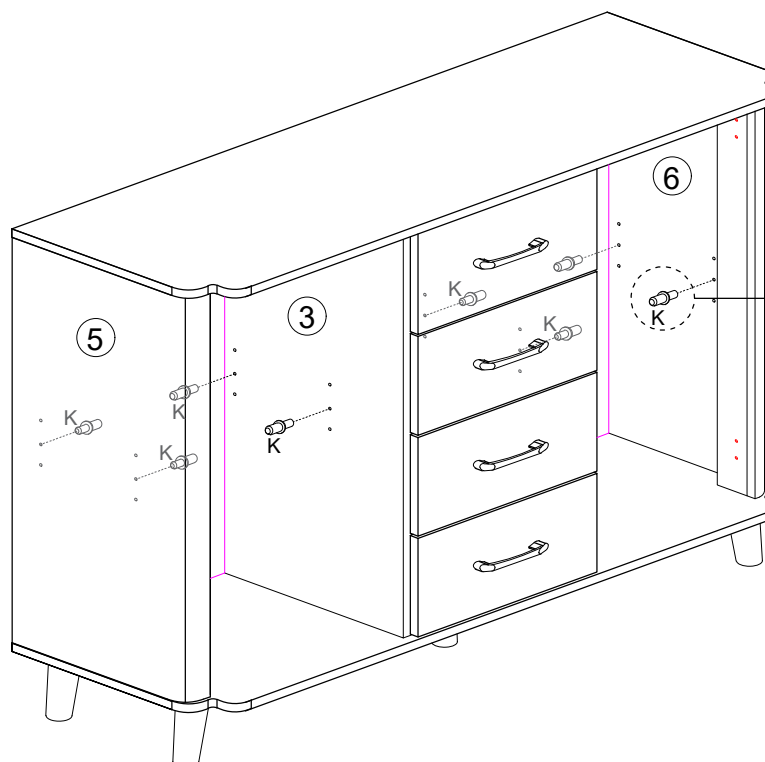
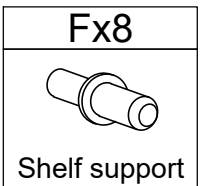
*Repeat 4 times (for 4 drawers)



*Repeat 4 times (for 4 drawers)

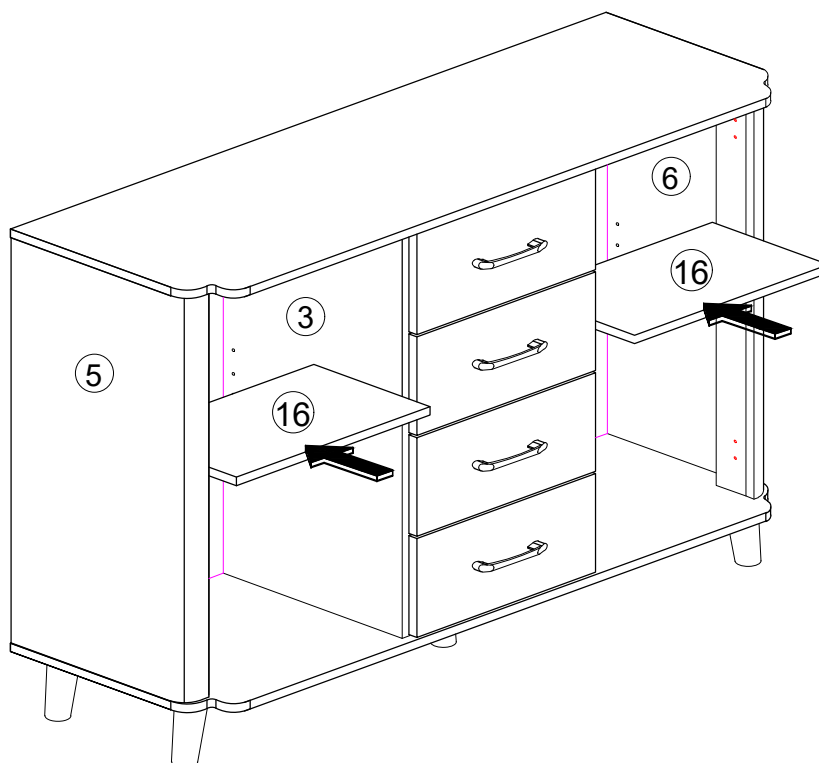
Step 20

Insert hardware (F) onto panel (2,3,5 & 6).



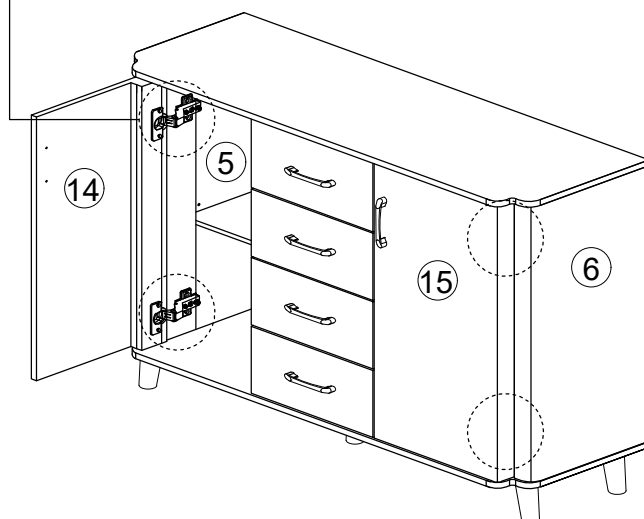
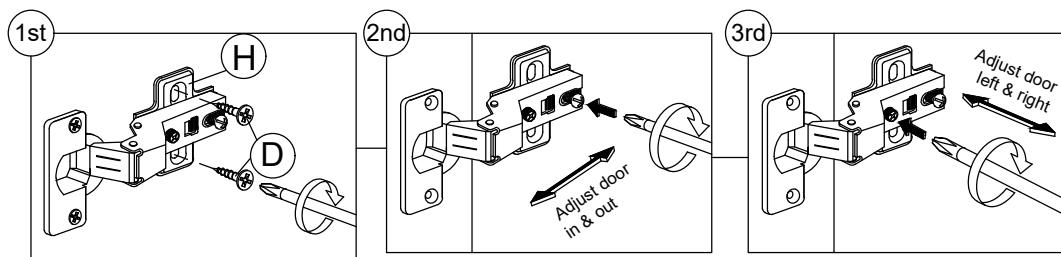
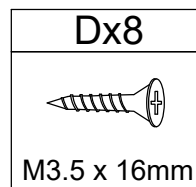
Step 21

Slide panel (16) into between panel (2,3,5 & 6).



Step 22

Connect panel (14 & 15) to panel (5 & 6) with hardware (H) by using hardware (D).



***2 PERSON REQUIRED**

VOILA!
Now enjoy.



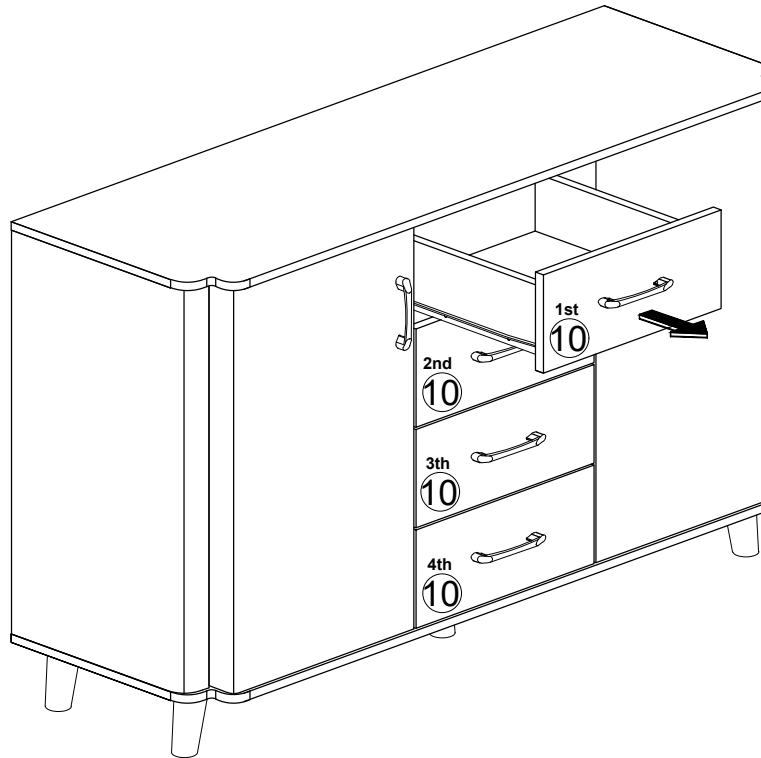
Warning

DO NOT stand or sit on the cabinet as this may damage the product and cause serious bodily injury.

EXTRAS ! (DRAWER REMOVAL INSTRUCTION)

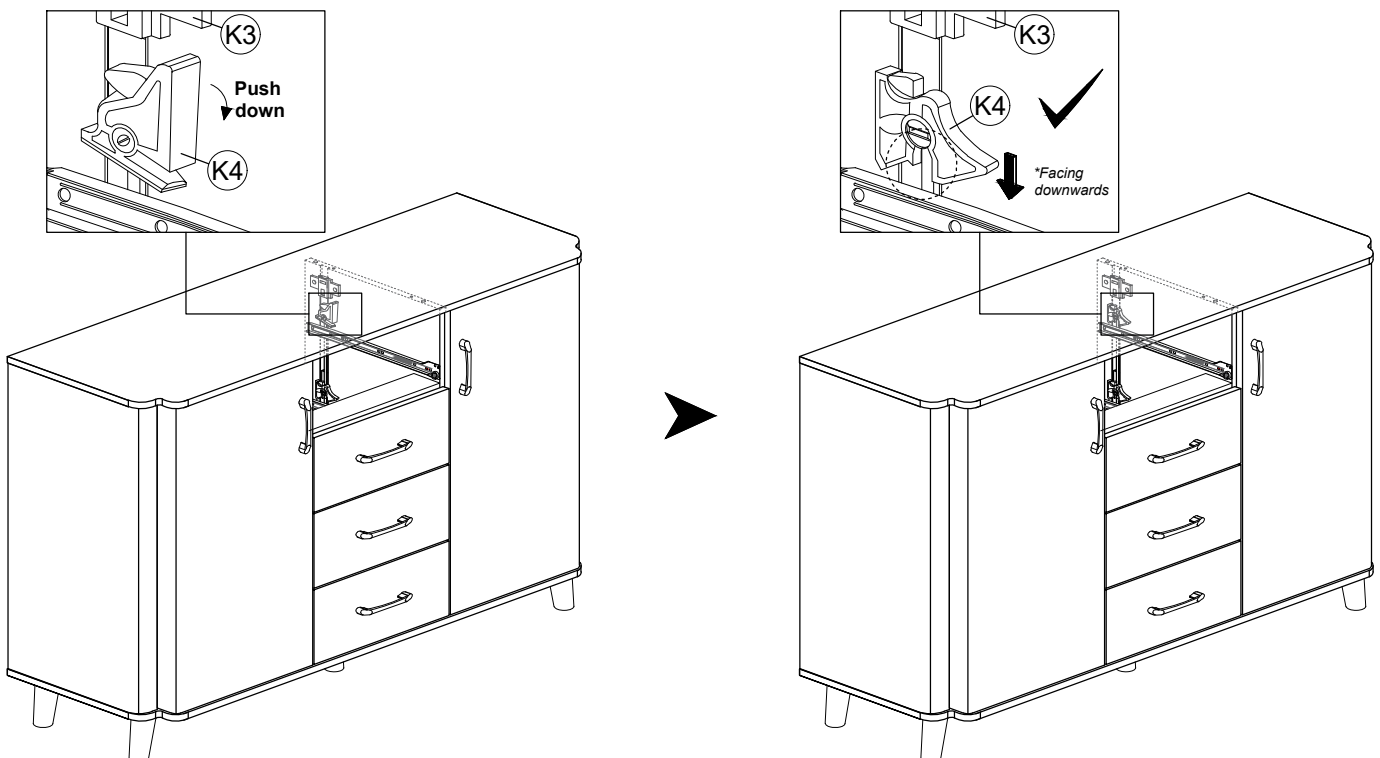
Step 1

Pull 1st drawer (10) fully out and remove it.



Step 2

Push locking mechanism (K4) facing downward after removing each drawer. Then, repeat Step 1 & Step 2 until all drawers are fully removed. (Repeat 4 times for 4 drawer)



Something not right?

We are always here to help.

We make mistakes like every human does.

Though we always strive to provide the best possible products at competitive prices and the best service in the industry, it's not possible to completely eliminate mistakes. If you experience any dissatisfaction, feel free to contact us immediately. Our in-house customer care team will respond ASAP.



customerservice@luxenhome.com
Get response within 24 hrs



909.548.6688
Mon-Fri 9am-5pm PST/PDT



www.luxenhome.com/help
Submit a ticket on our website

Things to do to expedite the process

- Have your order# ready
- Take photos/videos to help us better identify the issues
- DO NOT throw away the packaging

Happy with our product?

Leave us a review

It really help us as a small business

- Find the product you purchased on our website (tip: search by SKU) and leave us a review.
- Alternatively, you can always return to the marketplace where you purchased it and leave a review there.

Share with others

Our customers look for REAL stuff



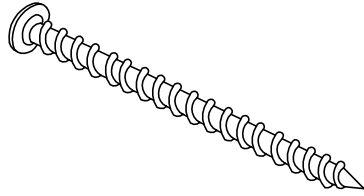
- Follow us on IG @luxen.home
- Share your #liveluxen moments



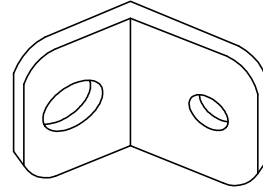
**Please save this manual
for future reference.**

Installation of Anti-Tip Restraint

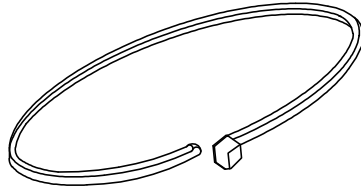
Kit includes:



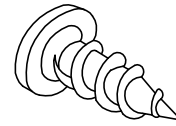
A (x1)
Long screw



B (x2)
Mounting bracket



C (x1)
Restraint strap



D (x1)
Short screw



WARNING



Serious or fatal crushing injuries can occur from furniture tip-over. To help Prevent tip-over:

- Install tip-over restraint provided
- Place heaviest items in the lower drawers
- Do not set TV's or other heavy objects on top of this product
- Never allow children to climb or hang on drawers, doors or shelves
- Never open more than one drawer at a time
- Do not defeat or remove the drawer interlock system

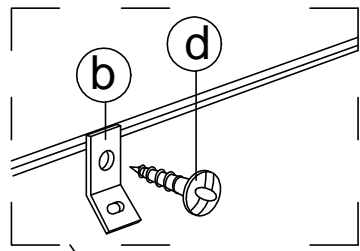
Use tip-over restraints may only reduce but not eliminate the risk of tip-over.

IMPORTANT: Use of this safety kit is mandatory. This restraint is not a substitute for proper adult supervision. Failure to detach this restraint before moving furniture may result in injury and damage.

FITTING OF ANTI-TIP SAFETY STRAP

STEP 1:

- Attach the mounting bracket (b) to the furniture in the solid part below the top panel a few inches away from the side of the unit.
- Screw (d) through the smallest hole of (b).



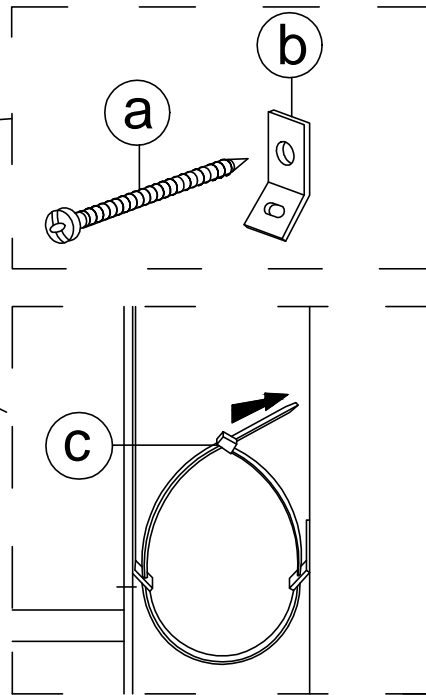
BACK SIDE OF TOP PANEL

WALL

FURNITURE

STEP 2:

- Locate a stud in behind the have to
- Place the other mounting bracket (b) on the wall stud 2 inches below the mounting bracket secured to the back of your unit.
- Attach to the wall stud using (a) through the smaller hole of (b).



STEP 3:

- Repeat the same step a few inches away from the other side of the unit.
- Place the furniture into position so both mounting brackets are vertically in line.
- Lace the end of the restraint strap through the larger holes in each mounting bracket.
- Secure the straps and lock into place.

