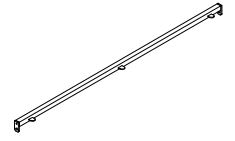
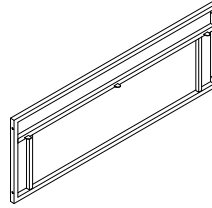
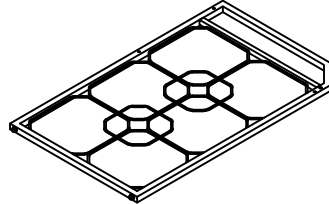
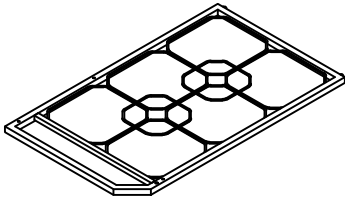


ASSEMBLY INSTRUCTION

COMPUTER DESK

- A** Side Frame - Left **B** Side Frame - Right **C** Back Frame **D** Cross Bar - Front



1pc

1pc

1pc

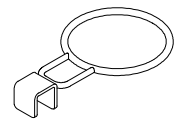
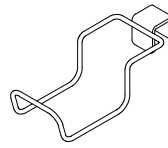
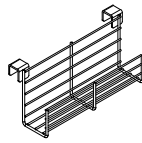
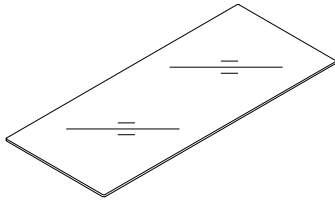
1pc

- E** Glass - Top

- F** Tray

- G** Hook

- H** Holder Frame



1pc

1pc

1pc

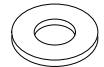
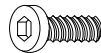
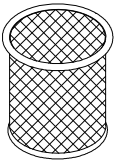
1pc

- I** Pen Holder

- J** Bolt
Ø1/4"x1/2"

- K** Bolt
Ø1/4"x1-1/4"

- L** Flat Washer
Ø1/4"x16mm



1pc

2pcs

6pcs

2pcs

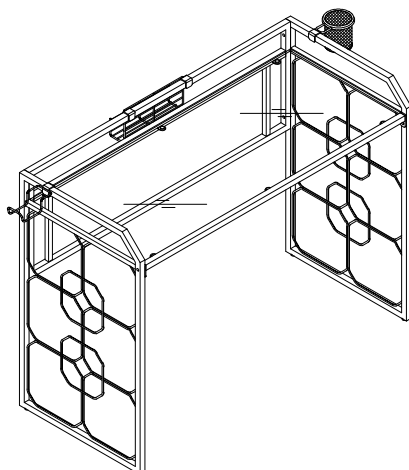
- M** Allen Key
M4

- N** Glass Pad
Ø12x2mm



1pc



6pcs

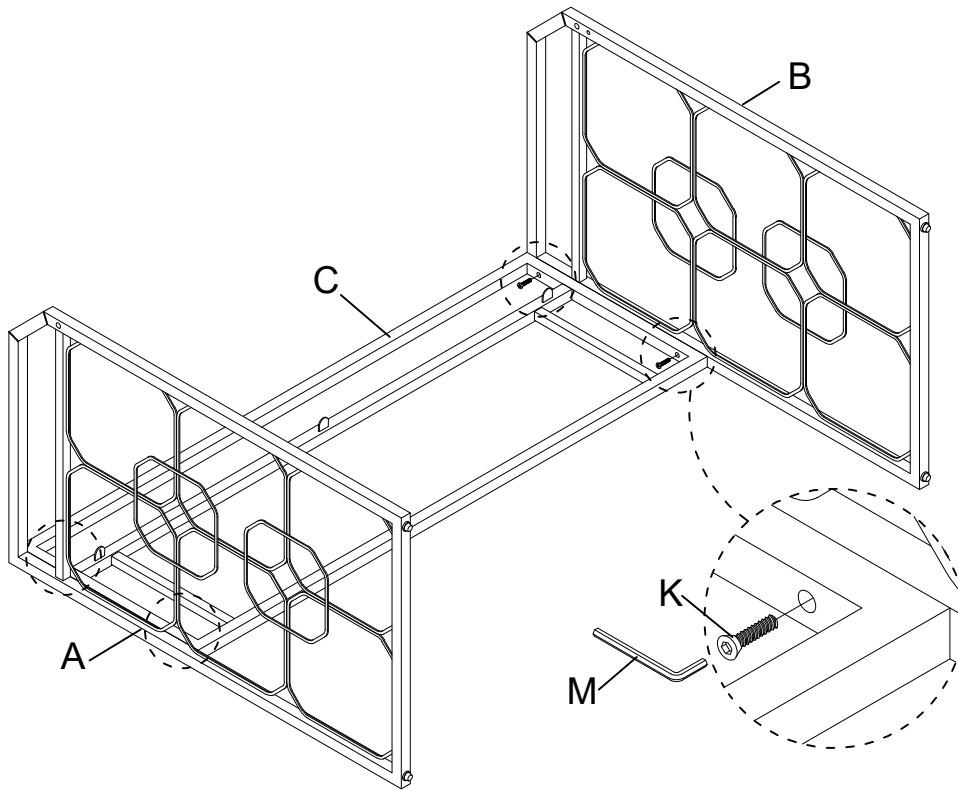


This page lists all the contents included in the box. Please take the time to identify the hardware as well as the individual components to this product. As you unpack and prepare for assembly, place the contents on a carpeted or padded area to protect them from damage.





Remind: Do not fully tighten all bolts until assembly is complete. This will help all parts to assemble properly.

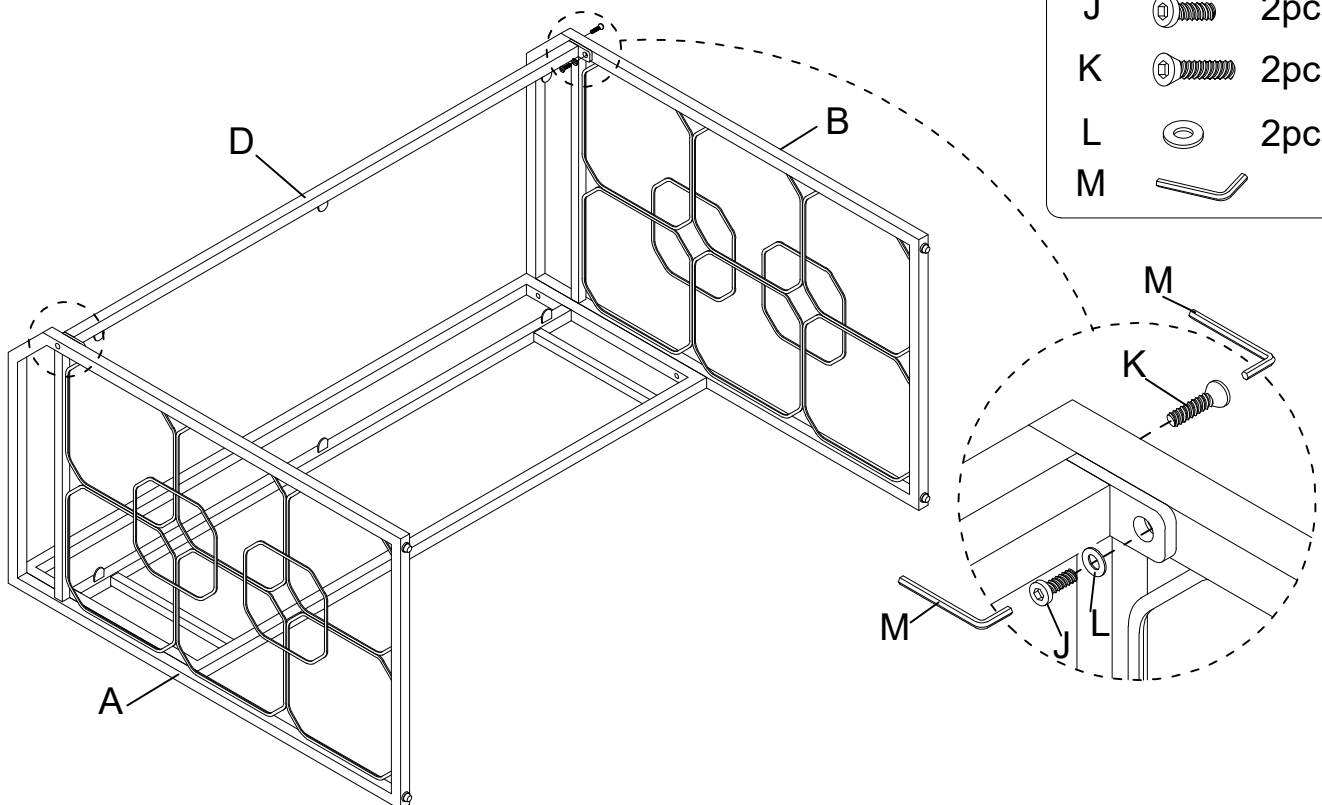
1 Assemble Back Frame (C) to Side Frame - Left (A) & Side Frame - Right (B), using Bolt (K) to tighten by Allen Key (M) as below shown.

K		4pcs
M		

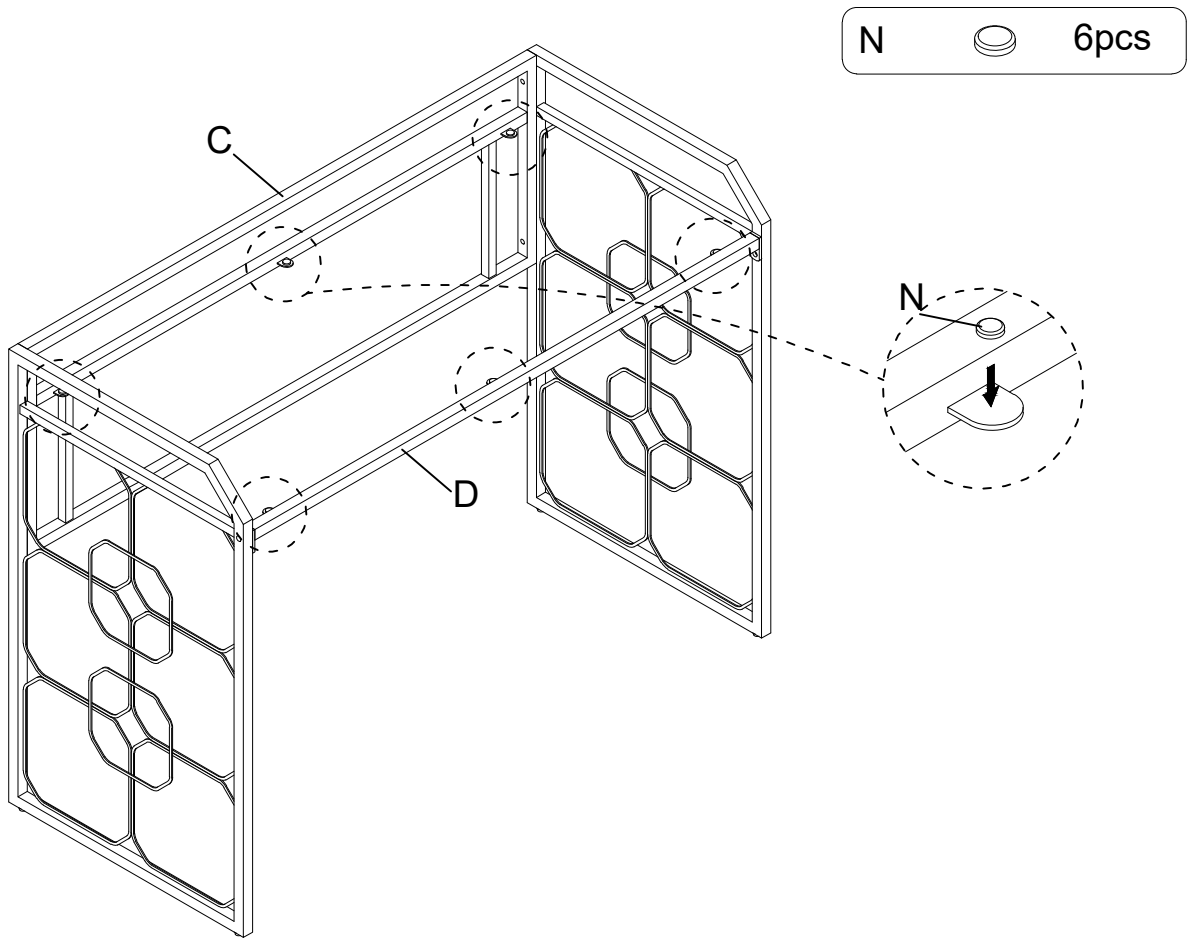


2 Assemble Cross Bar - Front (D) to Side Frame - Left (A) & Side Frame - Right (B), using Bolt (J), Bolt (K) & Flat Washer (L) to tighten by Allen Key (M) as below shown.

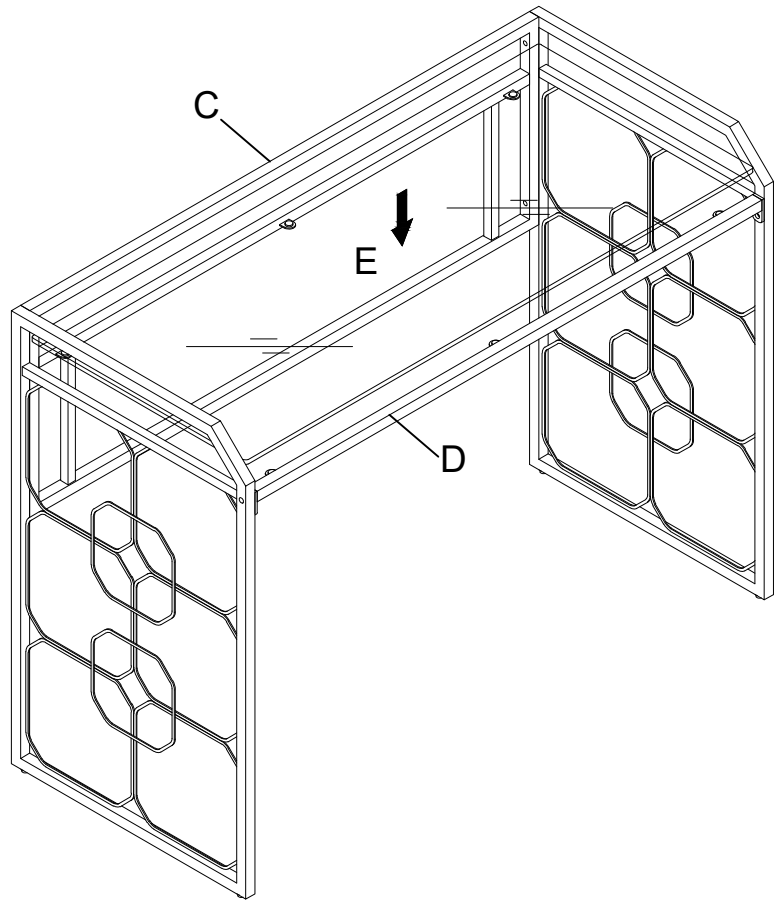
J		2pcs
K		2pcs
L		2pcs
M		



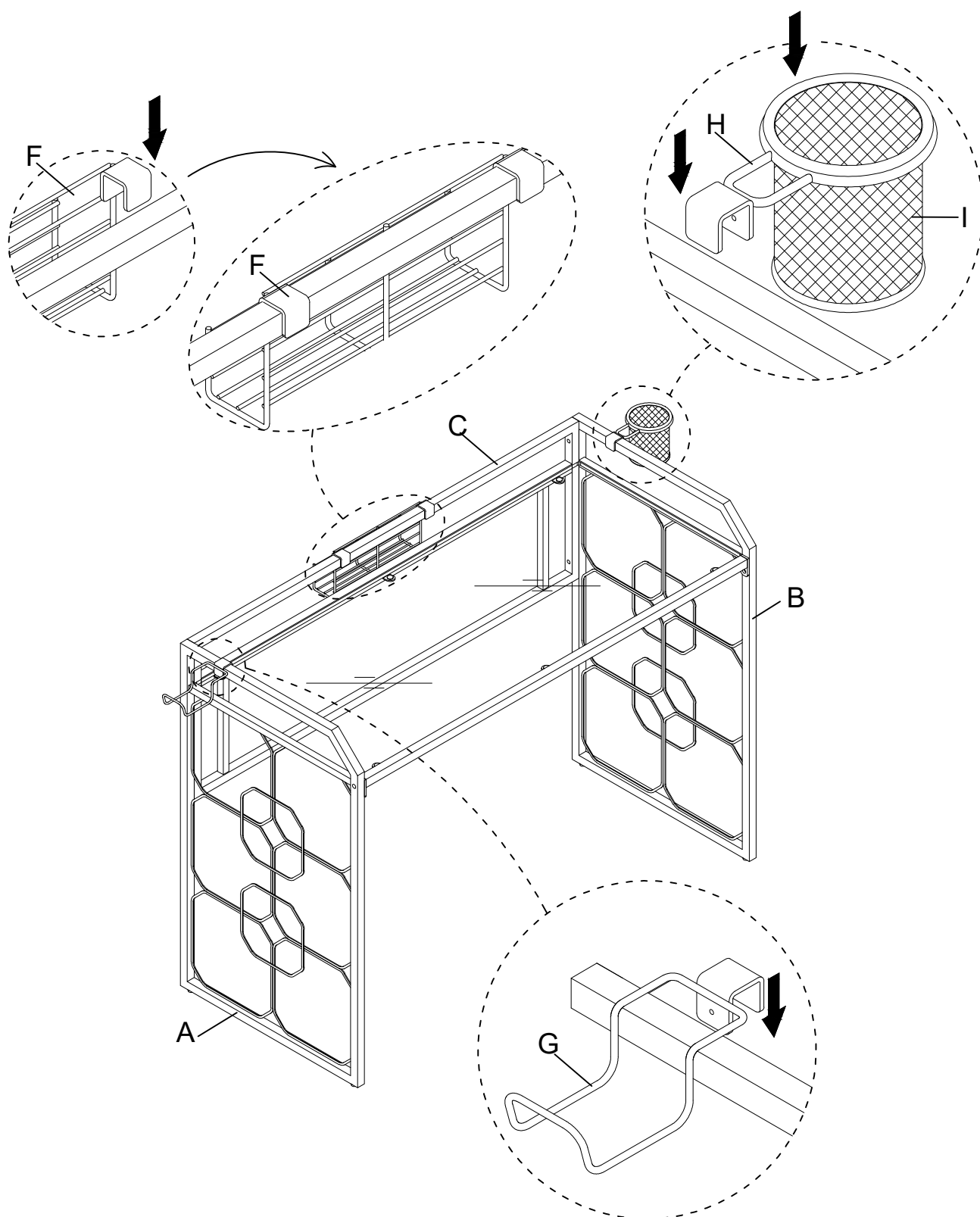
3 Put Glass - Pad (N) to Back Frame (C) & Cross Bar - Front (D) as below shown.



4 Put Glass - Top (E) to Back Frame (C) & Cross Bar (D) as below shown.



- 5** Hang the Tray (F), Hook (G) & Holder Frame (H) on the top of the Side Frame - Left (A), Side Frame - Right (B) and Back Frame (C), then put Pen Holder (I) to the Holder Frame (H) as below shown.



Adjust any parts out of alignment and tighten all bolts from steps 1 through 2.

Cleaning & Care

Treat surface with care. Surface is resistant to scratches but is not scratch resistant. Clean surfaces with a dry or damp soft cloth. Do not use abrasive cleaners. Hardware may loosen over time. Periodically check that all connections are tight.