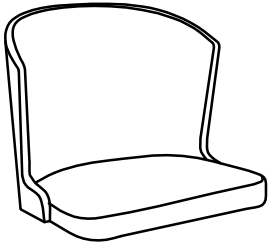


# ASSEMBLY INSTRUCTION

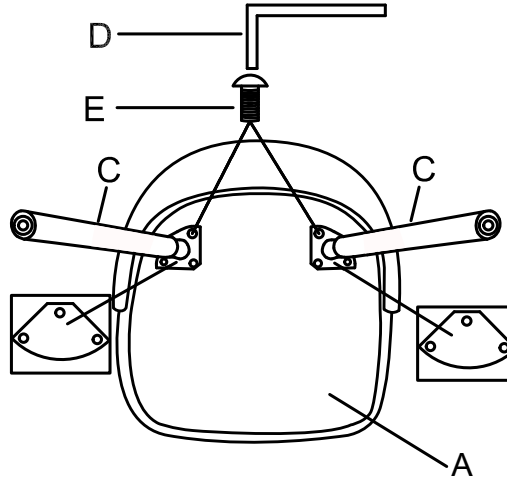
A X 1



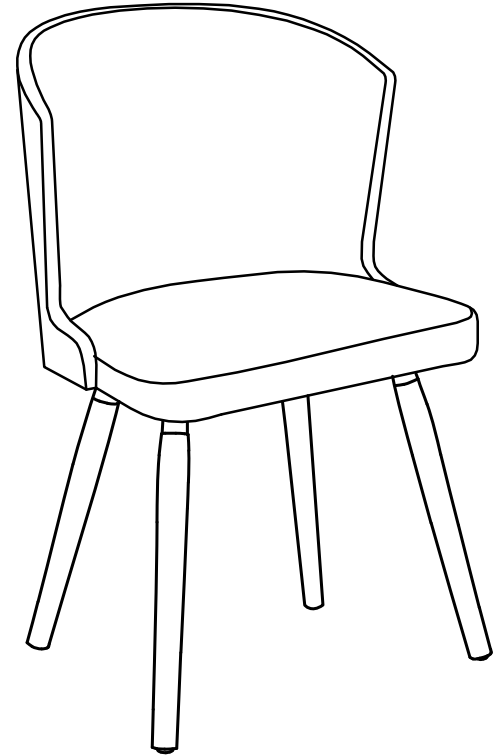
D X 1



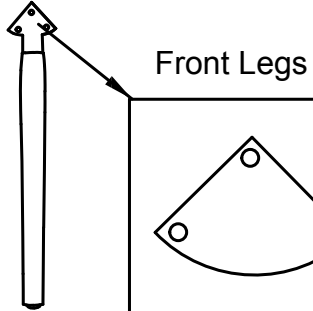
①



③



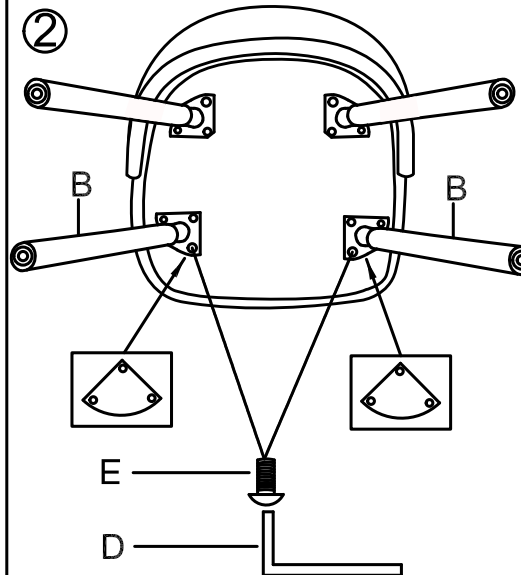
B X 2



E X 12



②



C X 2

