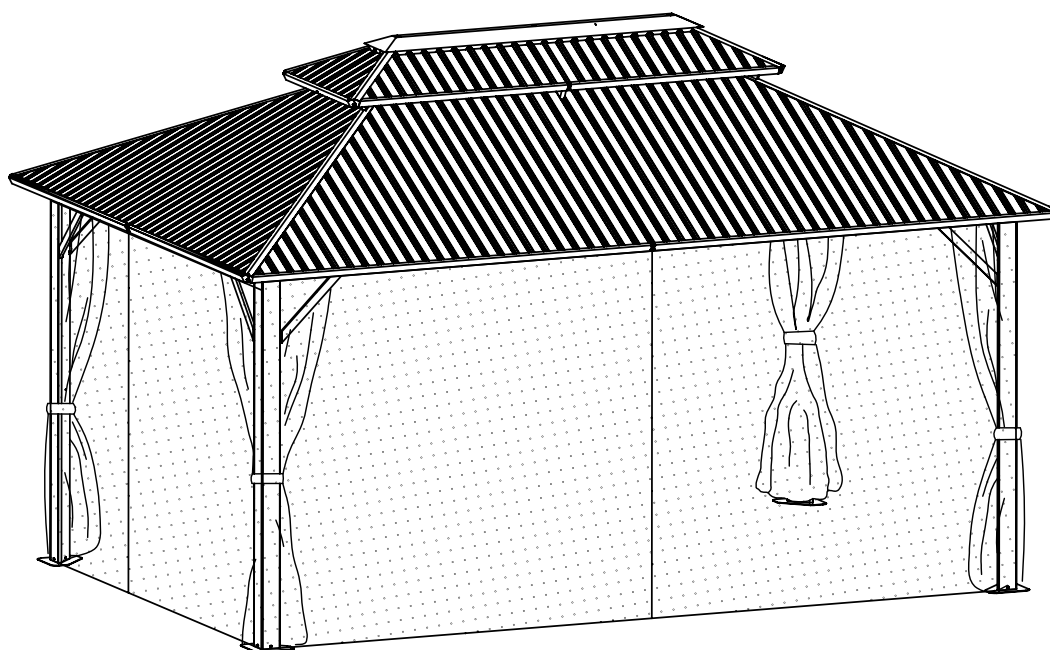




USE AND CARE GUIDE

10*15 FT DOUBLE ROOF HARD TOP GAZEBO



Product comes packaged in 4 boxes that might not arrive together; Safety measures and professional installation are highly recommended.

Questions, problems, missing parts? Before returning to the store, please contact our Customer Service

service.canopy@outlook.com

We appreciate the trust and confidence you have placed in HOTEEL through the purchase of our product. We strive to continually create quality products designed to enhance your home. Visit us online to see our full line of products available for your home improvement needs.

Thank you for choosing HOTEEL.

Making The Best Outdoor Furniture For You

Made in China

Before Starting Assembly:

- Read all instructions thoroughly.
- Open and check boxes for parts list.
- If any parts are broken or missing, please call or email customer service.
- Keep all packaging until you are satisfied with your product.
- Returns are not accepted without original packaging.
- Make sure you have ample space for assembly.

Safety Information

- Tighten each bolt firmly and properly. Do not completely tighten screws until all screws are started.
- Some parts may contain sharp edges. Wear protective gloves as necessary.
- Children under the age of 16 should not be engaged in the assembly, removal or disassembly of the product. Children under the age of 10 should be supervised by a competent adult while using this furniture.
- Please keep children out of the assembly area during assembly.
- Never use this product as a support. Do not shake, lean, or climb on the product at any time.
- Do not erect the structure in heavy winds or inclement weather.
- Do not leave up this unit for extended periods of time, as it is not a permanent structure or designed to withstand sustained wind or rain. It is a temporary shelter that shields you from sunlight and rain.
- The screens also block flying insects.
- Do not use candles, matches, or any open flames near the tent.



DANGER: Do not allow children to play with plastic wraps or small parts to prevent potential choking hazard.



CAUTION: Read all the instructions before assembly. Failure to do so may result in faulty assembly and potential injury!

Pre Assembly Note



1. Four or more people are required for assembly.



2. You will need one or more stepladders.



3. For ease of construction, you may need to use a drill.



4. You may need a safety hat.
Mind Roof Panel Falling !
Do NOT stand under the roof except the installer with a safety hat



5. Wearing protective gloves is recommended.



6. Use the allen key in the box.

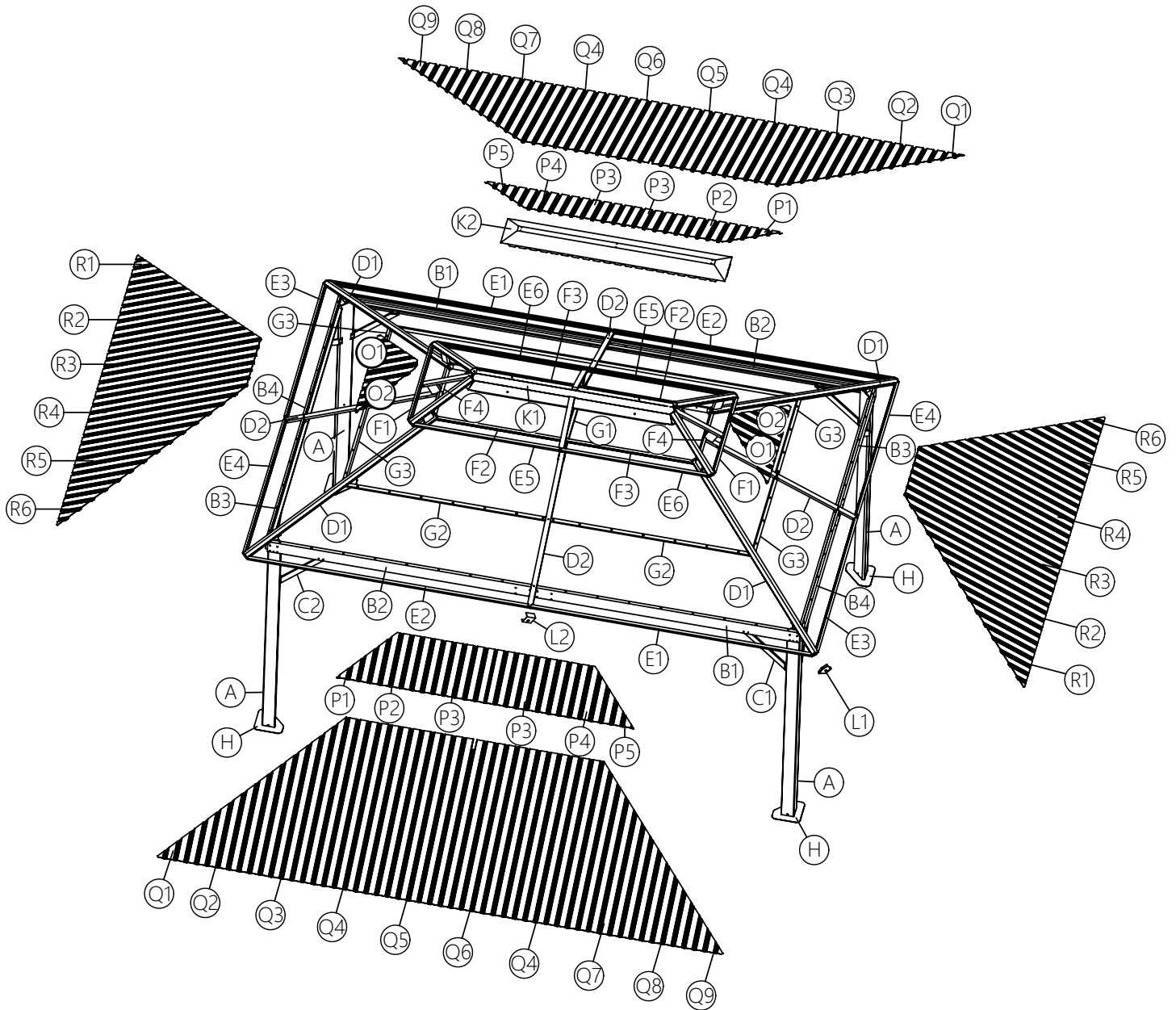


7. Please use a Phillips screwdriver.



8. Do not fully tighten screws prior to complete assembly.

REFERENCE IMAGE:

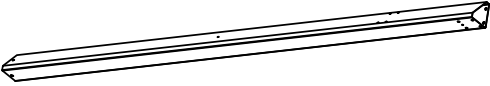




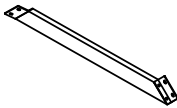
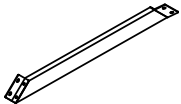

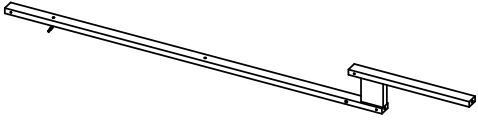
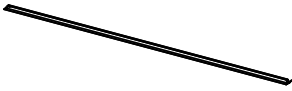

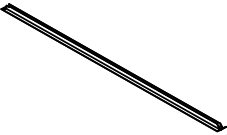
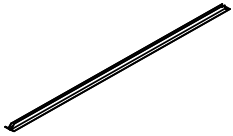
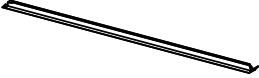

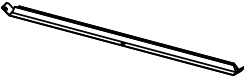
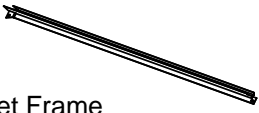



10*15FT

Make sure there is enough space to assemble this product.

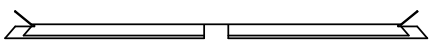
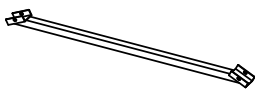


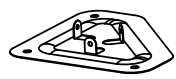
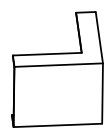
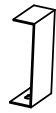
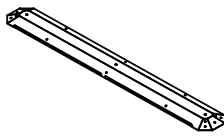
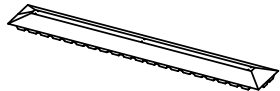
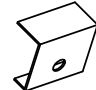

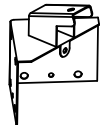





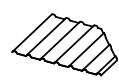



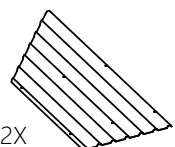
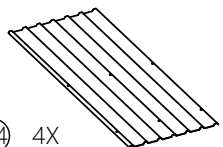
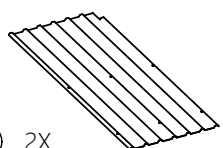
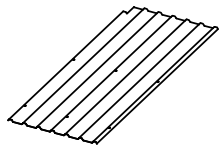
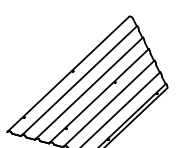
PACKAGE CONTENTS:

Note: Hardware not shown to actual size.

	 (A) 4X Pole	 (B1) 2X Beam
	 (B2) 2X Beam	 (B3) 2X Beam
	 (B4) 2X Beam	 (C1) 4X Corner Roof Bar
	 (C2) 4X Corner Roof Bar	 (D1) 4X Corner Roof Bar
	 (D2) 4X Roof Bar	 (E1) 2X Finishing Bar
	 (E2) 2X Finishing Bar	 (E3) 2X Finishing Bar
	 (E4) 2X Finishing Bar	 (E5) 2X Finishing Bar
	 (E6) 2X Finishing Bar	 (F1) 2X Finishing Bar
2	 (F2) 2X Net Frame	 (F3) 2X Net Frame

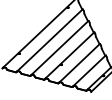


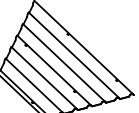
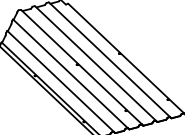
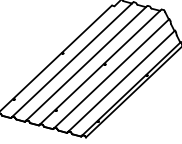
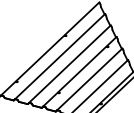

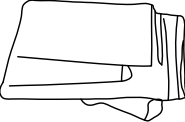
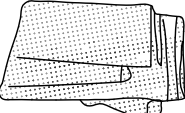


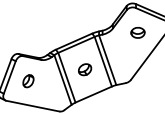

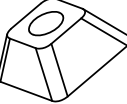
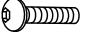
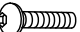

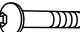
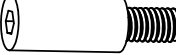




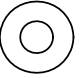


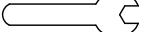

PACKAGE CONTENTS:

Note: Hardware not shown to actual size.

	 (F4) 2X Net Frame	 (G1) 1X Cross-Bar	 (G2) 4X Solidifying Bar
	 (G3) 4X Solidifying Bar	 (H) 4X Base	 (J1) 4X Corner Cover
	 (J2) 4X Joint Cover	 (K1) 1X Inside Roof Connector	 (K2) 1X Outside Roof Connector
	 (L1) 12X Finishing Bar	 (L2) 6X Joint Cover	 (M) 4X Union Bar
	 (N) 4X	 (O1) 2X	 (O2) 2X
	 (P1) 2X	 (P2) 2X	 (P3) 4X
	 (P4) 2X	 (P5) 2X	 (Q1) 2X
	 (Q2) 2X	 (Q3) 2X	 (Q4) 4X
<p>3</p>	 (Q5) 2X	 (Q6) 2X	 (Q7) 2X

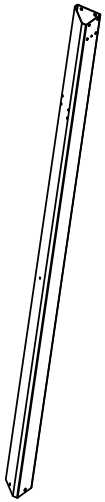
PACKAGE CONTENTS:

Note: Hardware not shown to actual size.

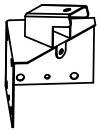
 Q8 2X	 Q9 2X	 R1 2X	 R2 2X
 R3 2X	 R4 2X	 R5 2X	 R6 2X
 S1 4X Side Curtain	 T1 4X Mosquito Sidewall	 U1 1X Top Mosquito netting	 V 120×Hook +extra 8×hook
 W 4X Connecting Patch	 X 4X Solidifying Bar	 Y 96X+extra 8 Spacer	 1 16 7 extra 10 Screws
 2 8X+extra 2  2 52X+extra 4 M6X22 Screws	 3 36X+extra 4 M6X45 Screws	 5 16X Screws	 6 12X+extra 1 M5X12 Screws
 7 8X+extra 2 ST4.0X12 Screws	 8 2X M6X52 Screws	 9 1X Lamp Hook	 11 96X+extra 10 Rubber gasket
 12 12X Screws	 1X Allen Key	 1X Wrench	 1X

<1>

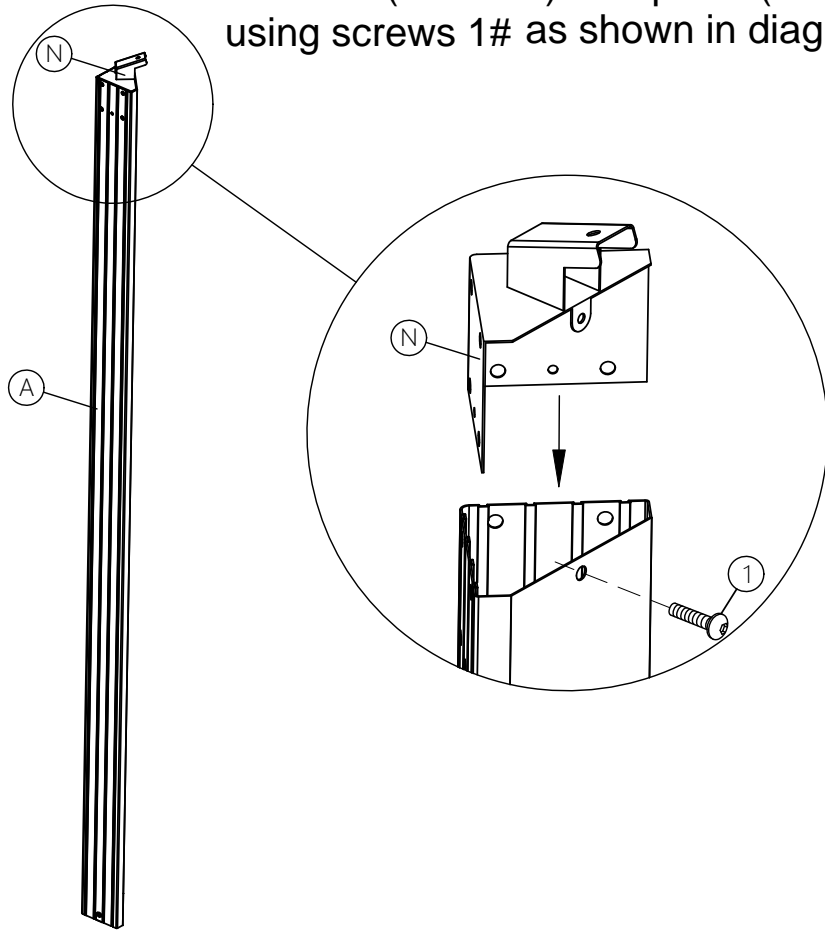
Connect (PART N) with poles (PART A) using screws 1# as shown in diagram.



(A) 4X

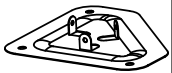


(N) 4X



<2>

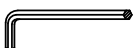
Set up poles (PART A) with stand plates (PART H) using screws 1# as shown in diagram.



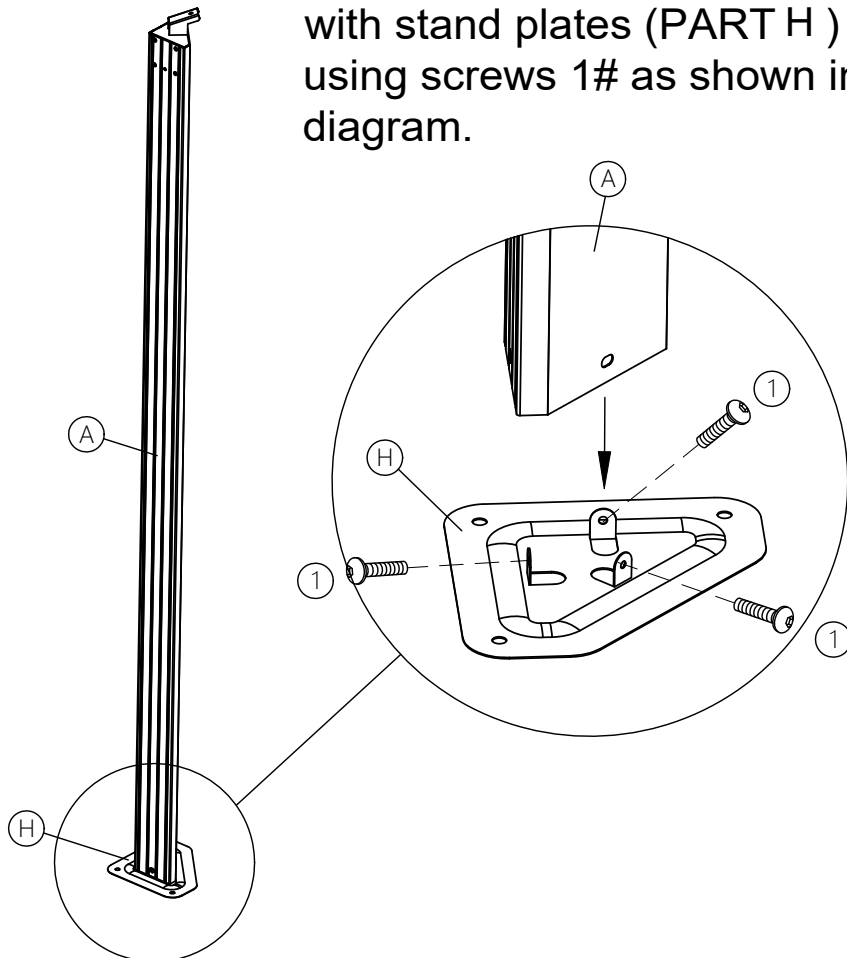
(H) 4X



(1) 16X



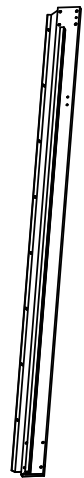
1X



< 3 >



(B1) 2X



(B2) 2X



(M) 2X



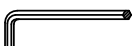
(V) 72xHook



(1) 16X
M6X15



(6) 4X
M5X12

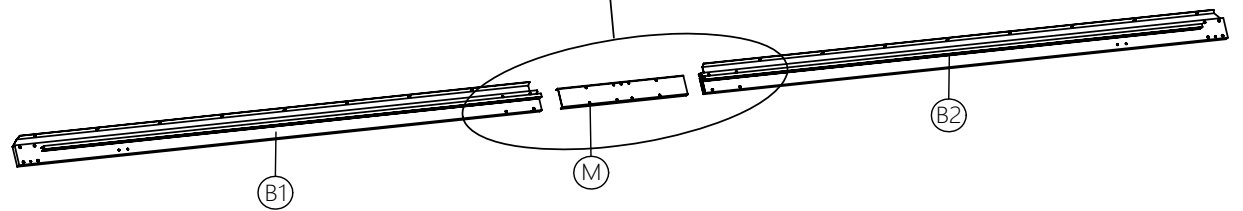
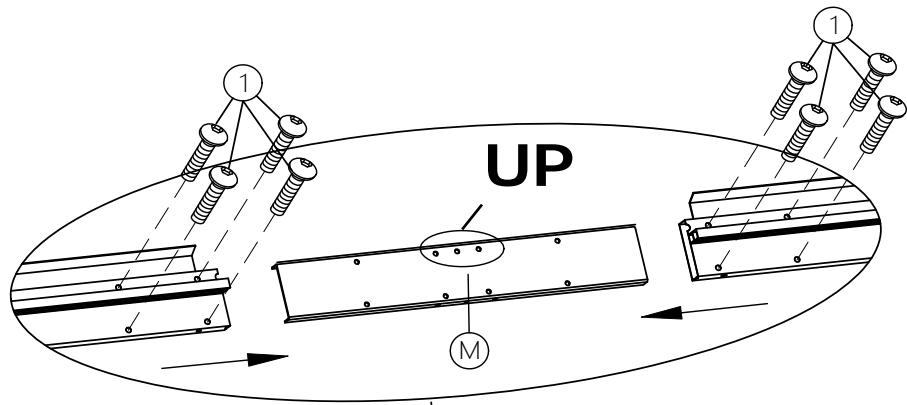


1X

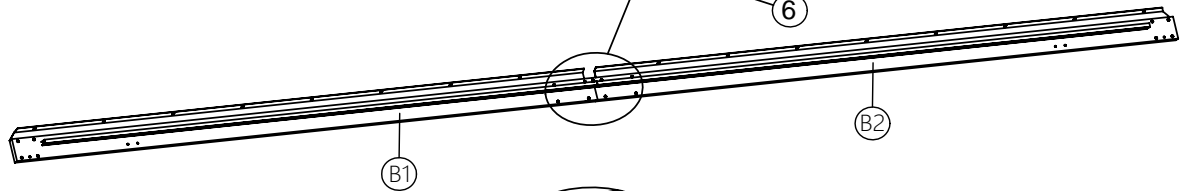
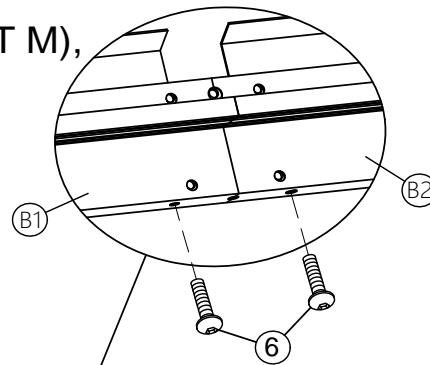


1X

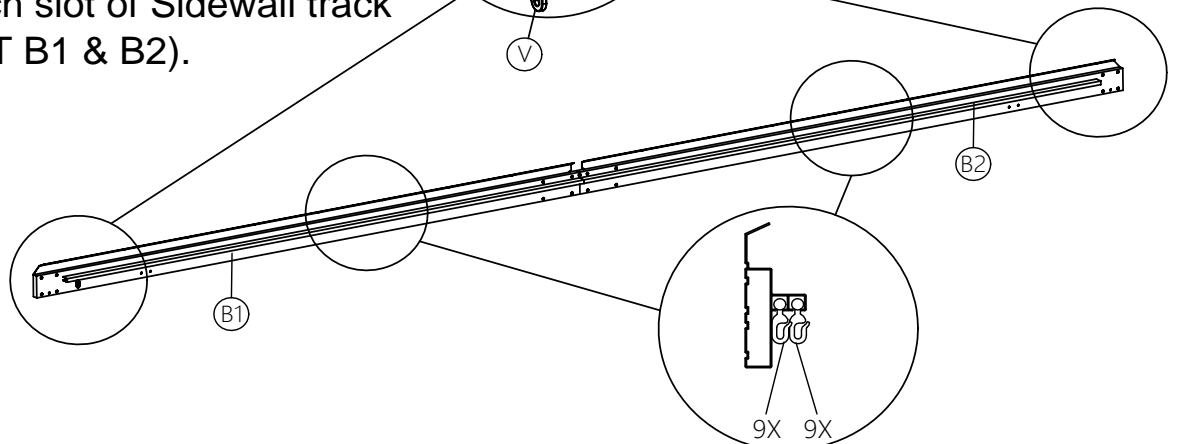
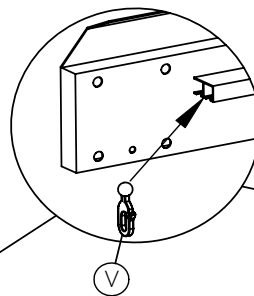
6



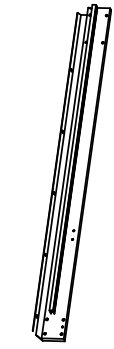
Connect Part B1 and B2 into one beam using union bar (PART M), after the alignment slots of B1 and B2 are fully matched, secure them with screw 1# as shown in diagram.



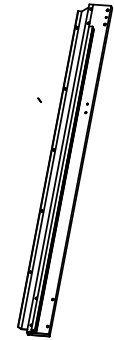
Put 9 hooks (PART V) to each slot of Sidewall track (PART B1 & B2).



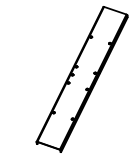
<4>



(B3) 2X



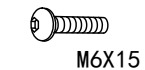
(B4) 2X



(M) 2X



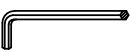
(V) 48x



(1) 16X



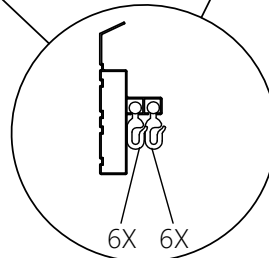
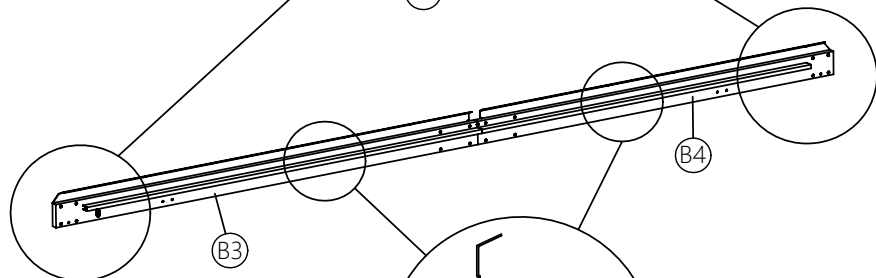
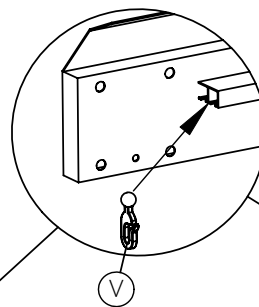
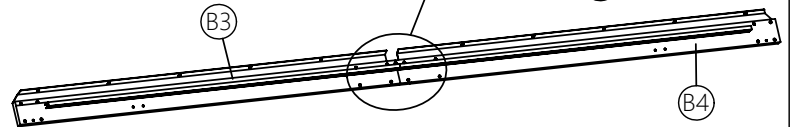
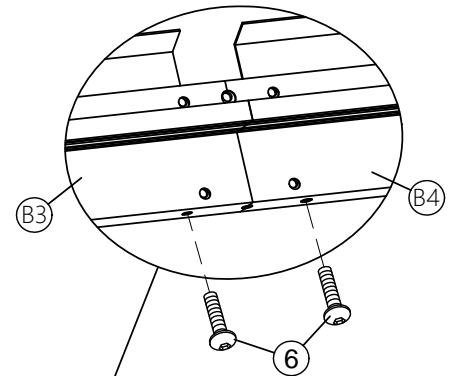
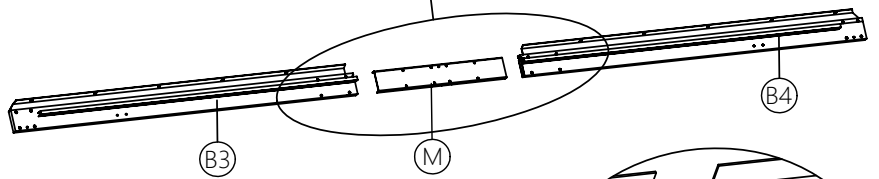
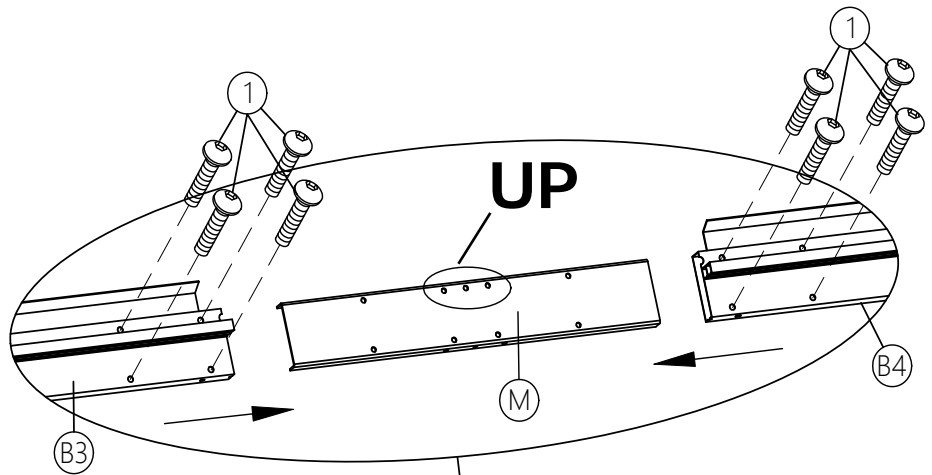
(6) 4X



1X



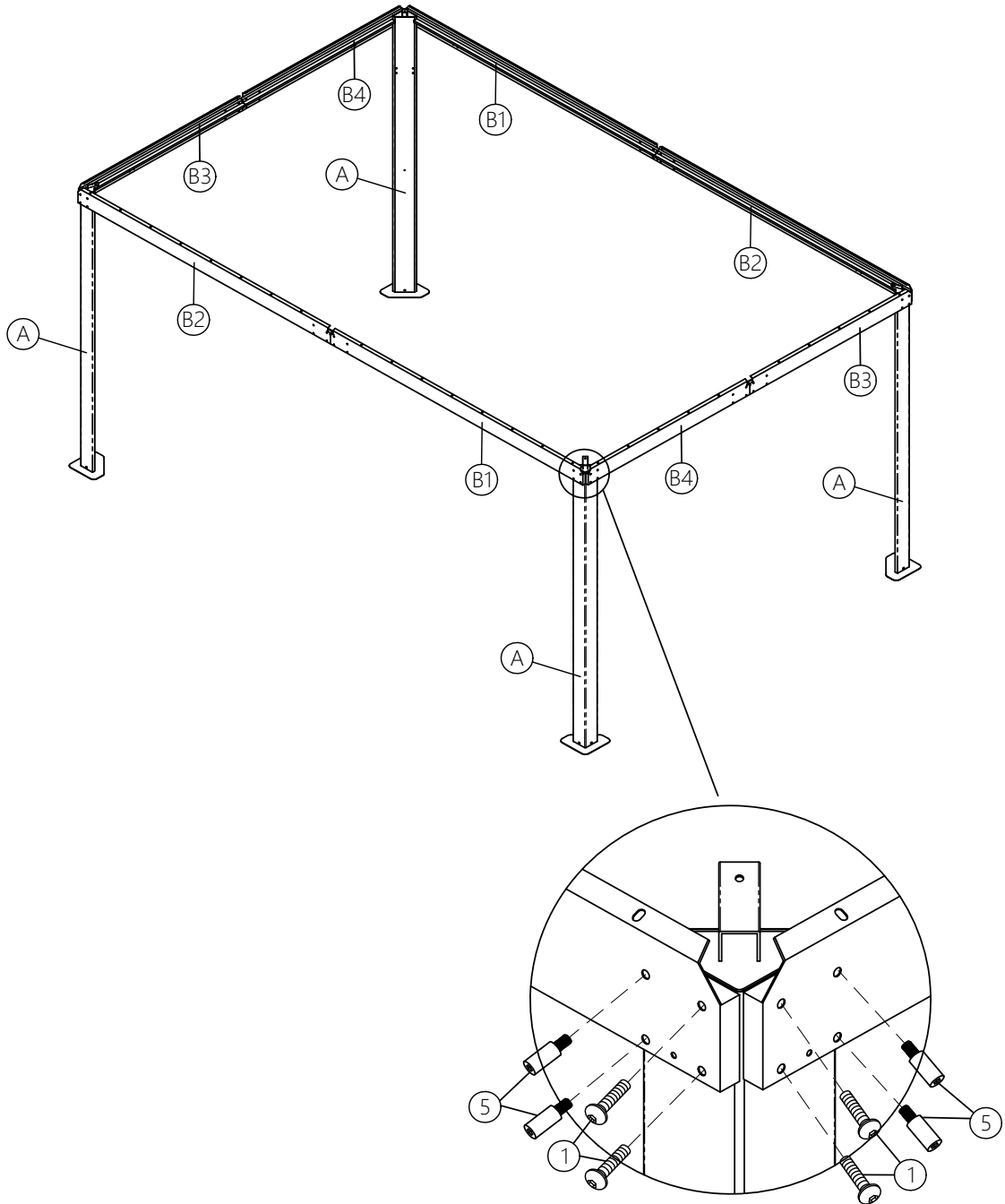
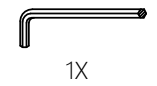
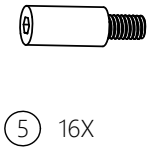
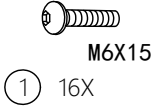
1X



Connect Part B3 and B4 into one beam using union bar (PART M), after the alignment slots of B3 and B4 are fully matched, secure them with screw 1# as shown in diagram.

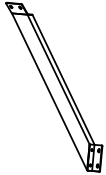
Put 6 hooks (PART V) to each slot of Sidewall track (PART B3 & B4).

<5>

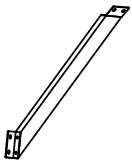


Use screws (1#&5#) to connect poles (PART A) and beams together as shown in diagram.

<6>



C1 4X

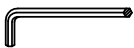


C2 4X

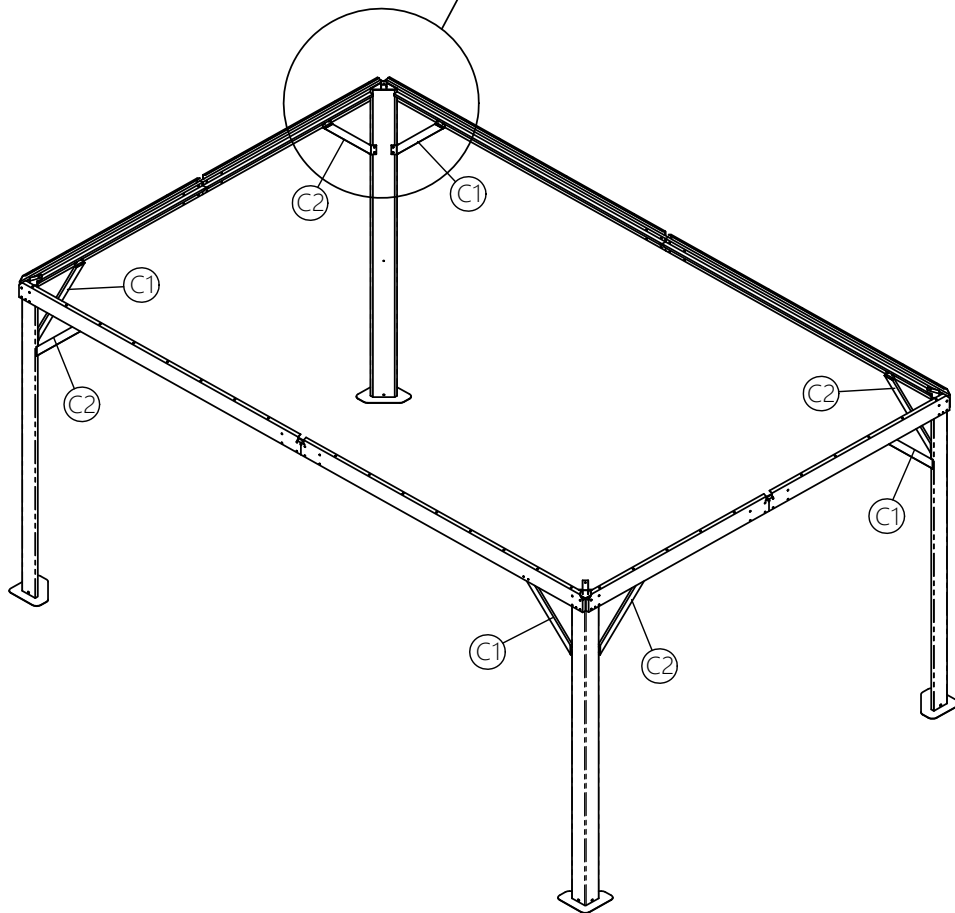
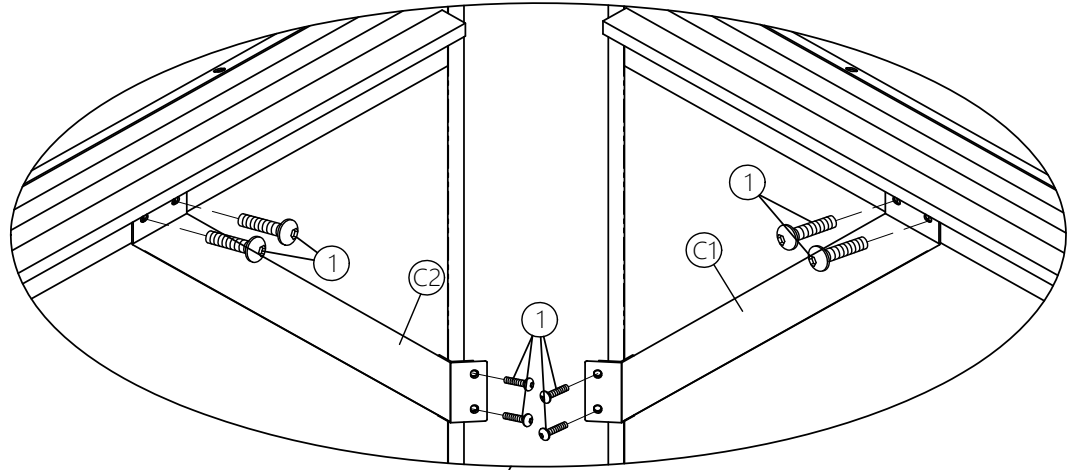


M6X15

1 32X

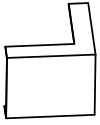


1X



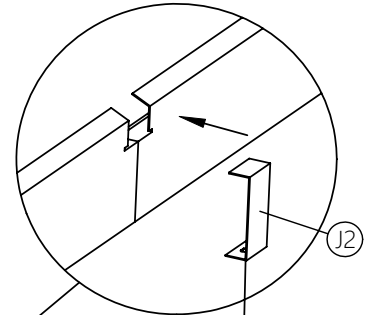
Affix the frame with corner solidifying bars (PART C1&C2) using screws 1# as shown in diagram.

<7>

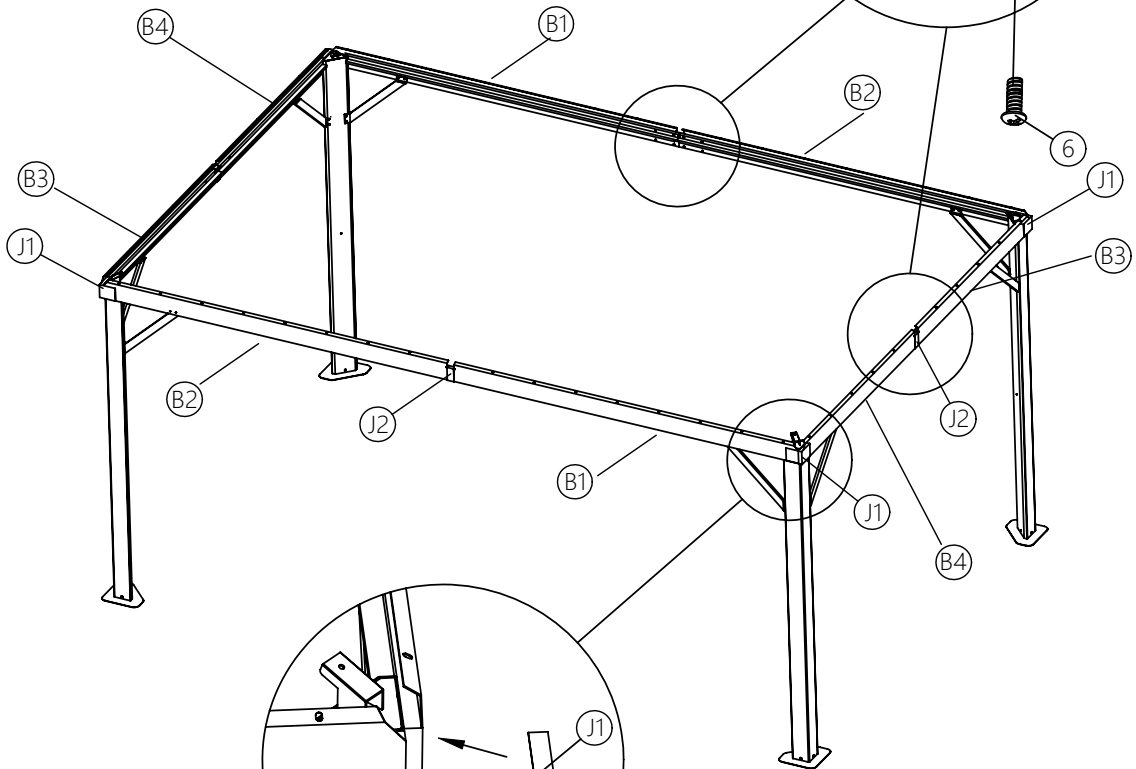


(J1) 4X

Put joint cover (PART J2)
to lock B1&B2, B3&B4
with screws 6#.



(J2) 4X



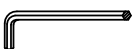
M5X12

(6) 4X



ST4.0X12

(7) 8X



1X



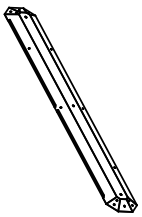
1X

Finish connecting
beam using 4 corner
covers (PART J1)
and screw 7# as
shown in diagram.

<8>



(D1) 4X

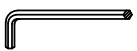


(K1) 1X

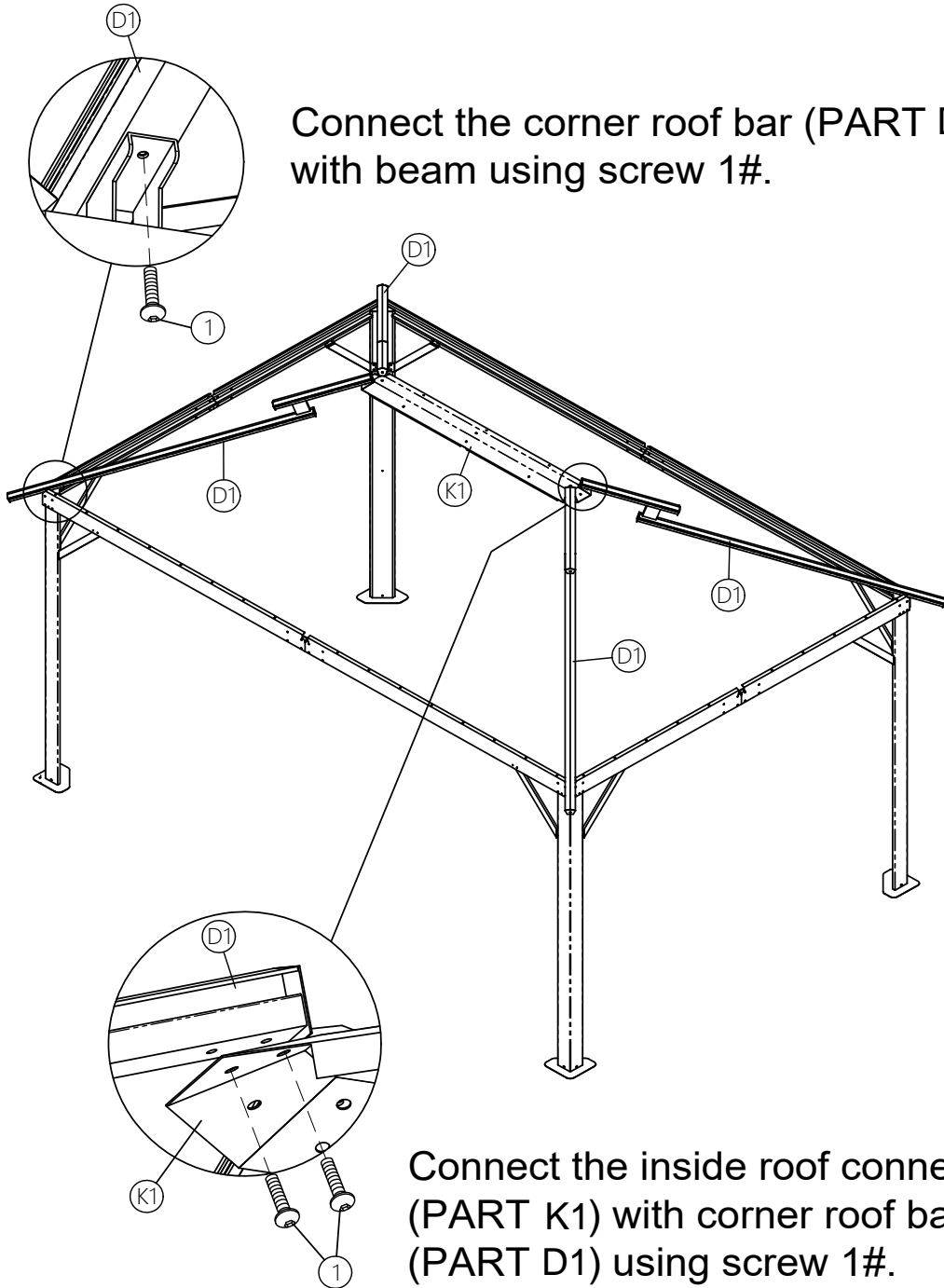


M6X15

(1) 12X



1X



Connect the corner roof bar (PART D1) with beam using screw 1#.

Connect the inside roof connector (PART K1) with corner roof bar (PART D1) using screw 1#.



<9>

Attach roof bar (PART D2) to inside roof connector (PART K1) and main frame using screws 1#.

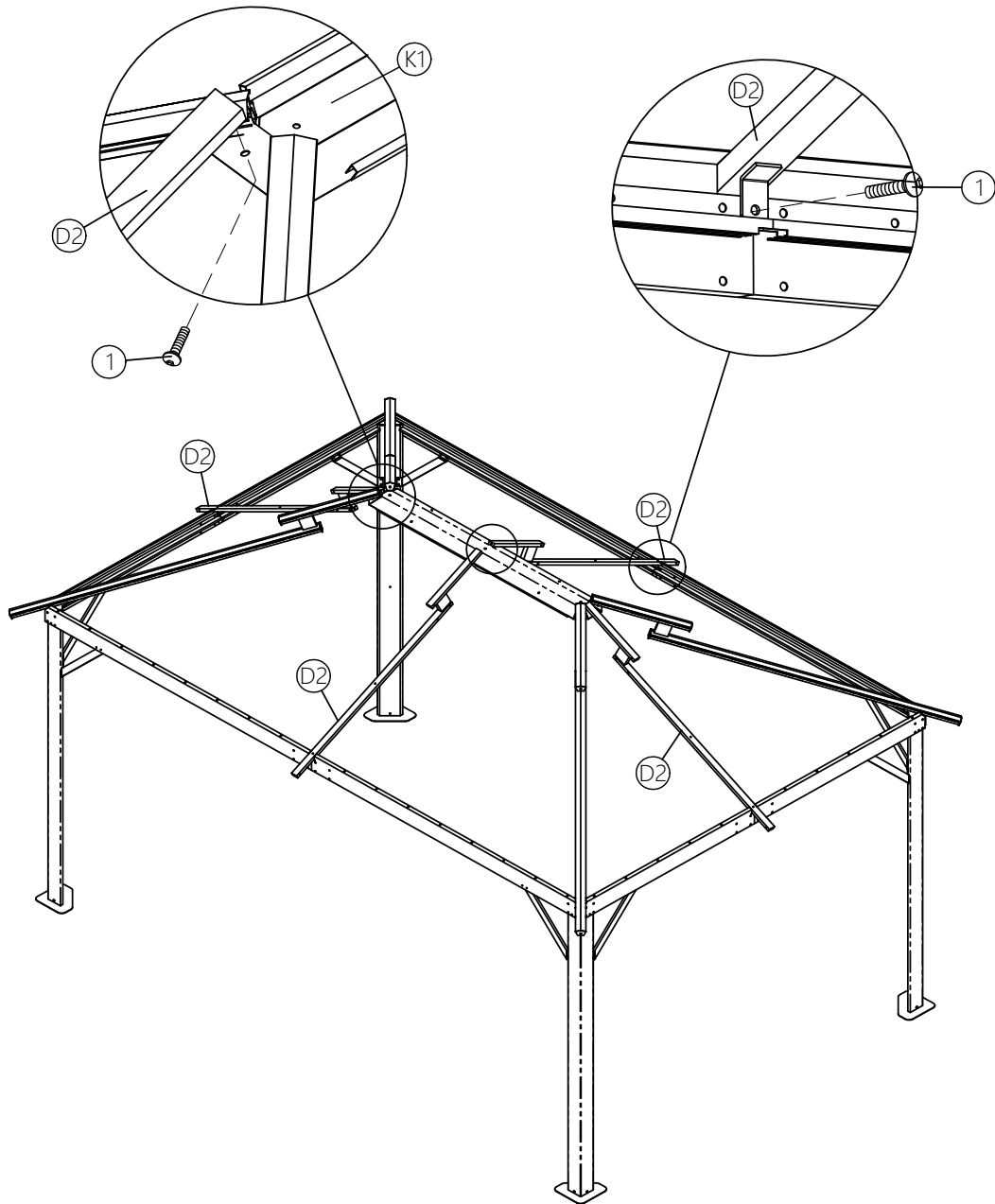
 4X



 8X

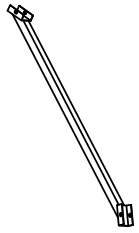


1X



<10>

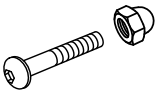
Insert lamp hook (PART 9#) into the Cross-Bar (PART G1) as shown in diagram.



G1 1X

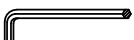


9 1X



M6X52

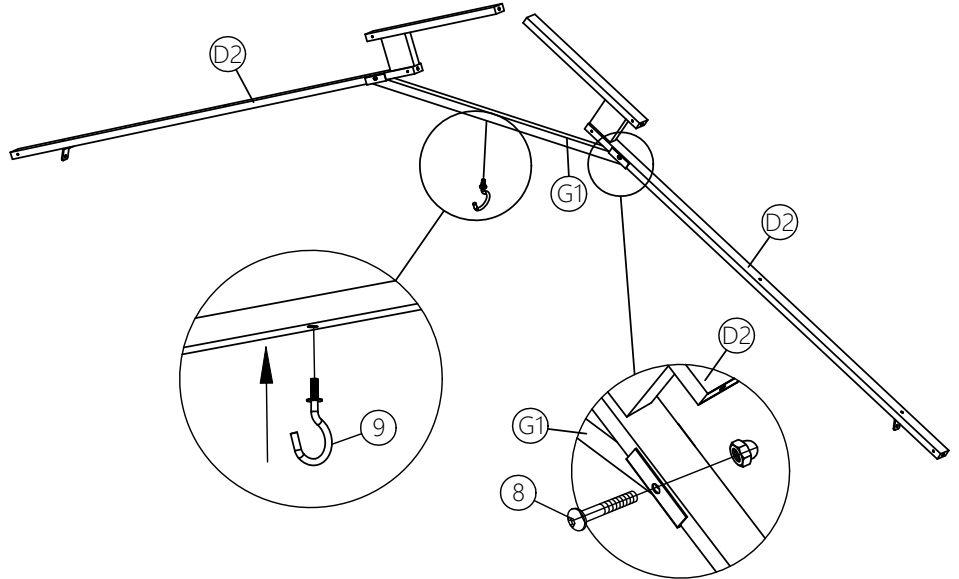
8 2X



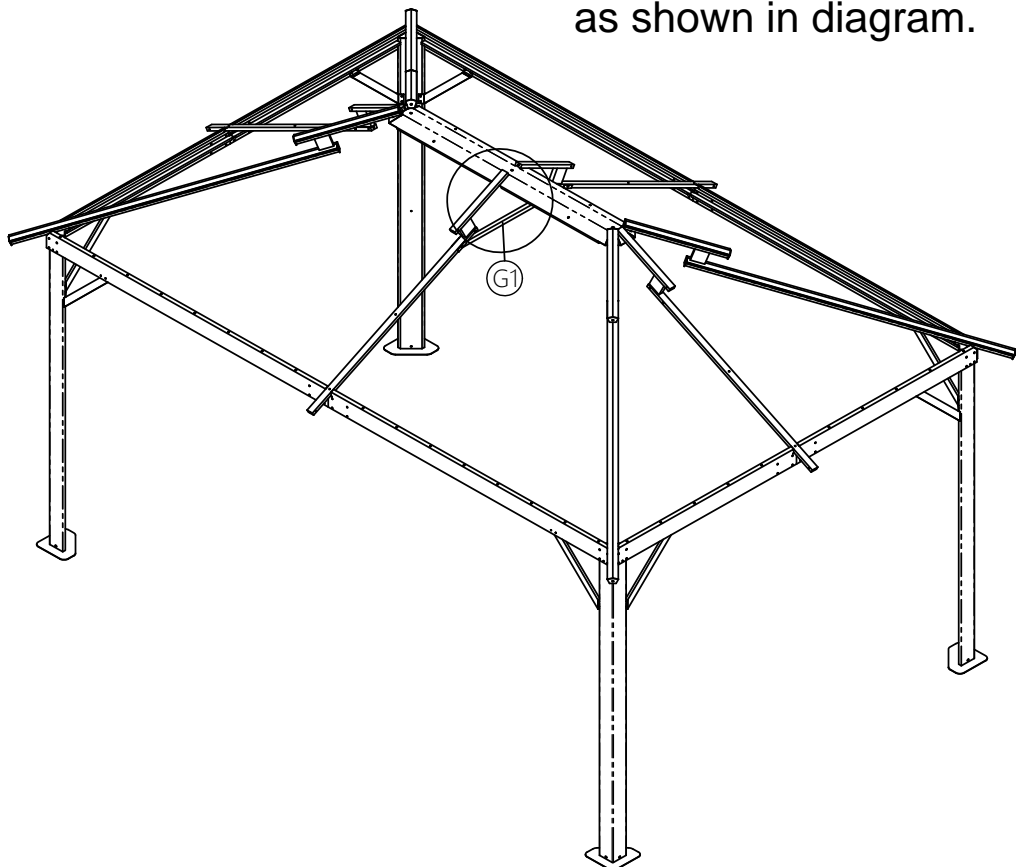
1X



1X



Fix each end of the Cross-Bar (PART G1) on the Roof Bar (PART D2) using screw 8#, as shown in diagram.



< 1 1 >

Connect outside roof connector (PART K2) to inside roof (PART K1) using screw 1# as shown in diagram.
(Tip: Tighten screw #1 loosely until step <13> is complete, in order for the roof panels to fit through this gap.)



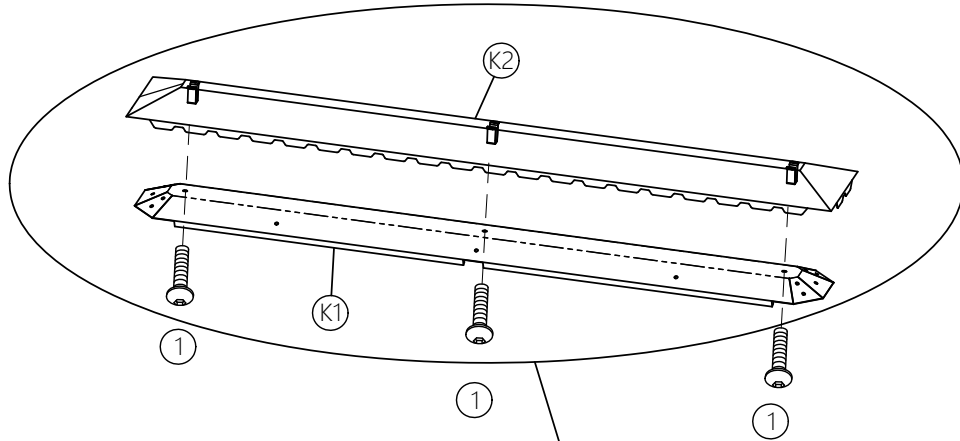
(K2) 1X



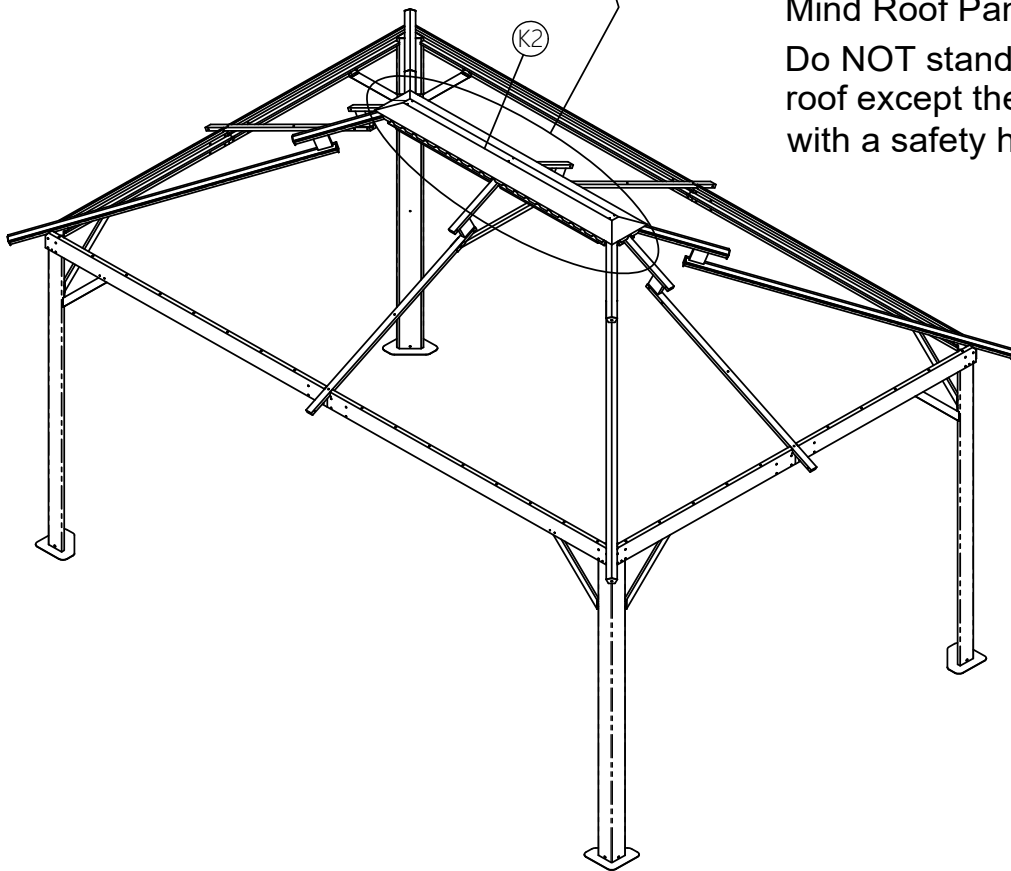
(1) 3X



1X



Mind Roof Panel Falling !
Do NOT stand under the roof except the installer with a safety hat !



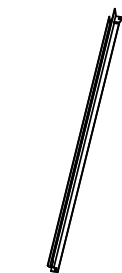


Mind Roof Panel Falling !
Do NOT stand under the roof except the installer with a safety hat !

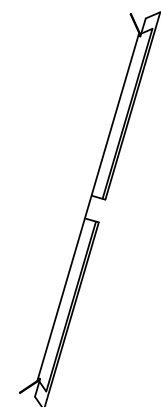
<12> Attach net frames (PART F4&F3) or (PART F4&F2) with finishing end (PART L 1) using screws 1# as shown in diagram,you may need to bent the frame ends a little to make it match the joint.



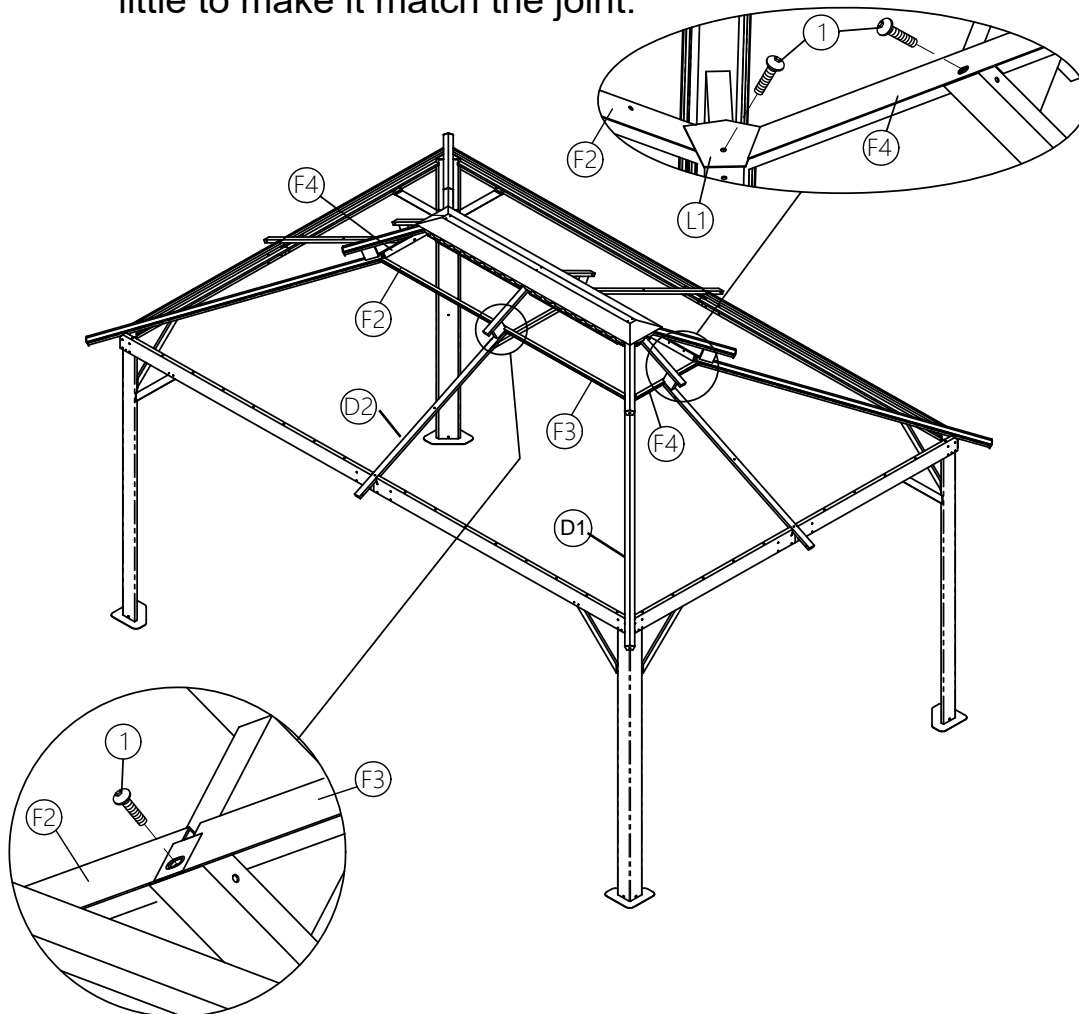
(F2) 2X



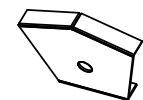
(F3) 2X



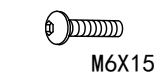
(F4) 2X



Using screw 1# to connect net frames (PART F2&F3) on the roof bar (PART D2) as shown in diagram.



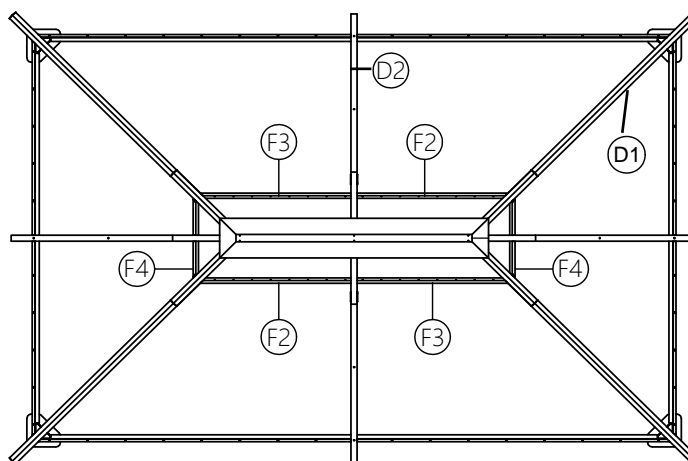
(L1) 4X



(1) 8X



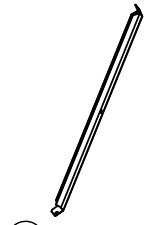
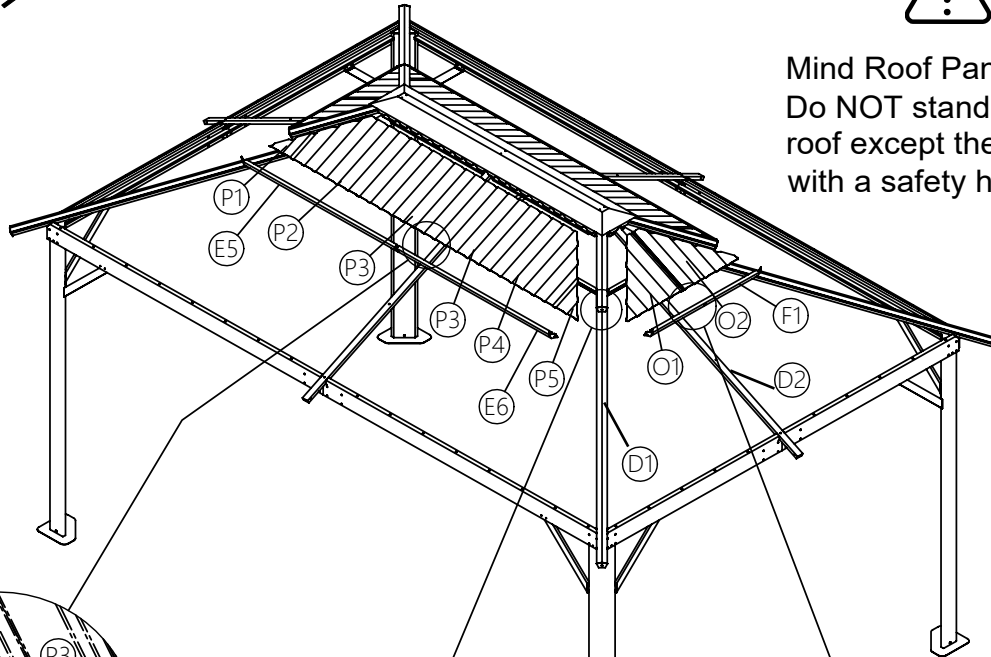
1X



<13>



Mind Roof Panel Falling!
Do NOT stand under the roof except the installer with a safety hat!



F1 2X



E5 2X



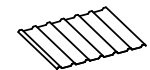
E6 2X



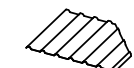
P1 2X



P2 2X



P3 4X



P4 2X



P5 2X



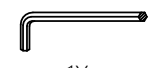
L2 2X



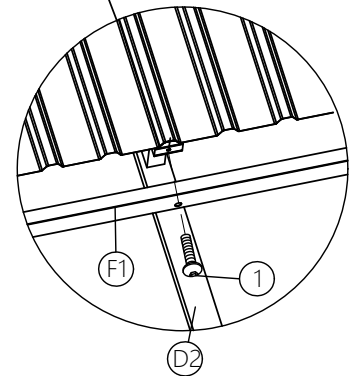
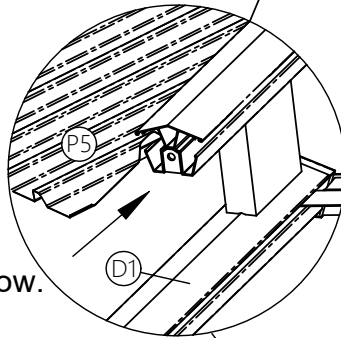
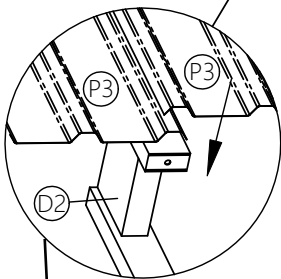
L1 4X



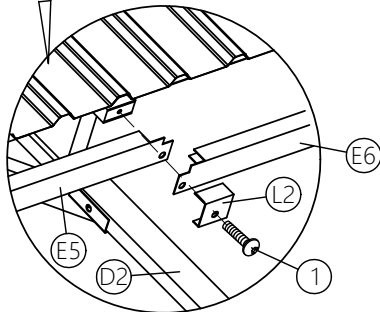
1 8X



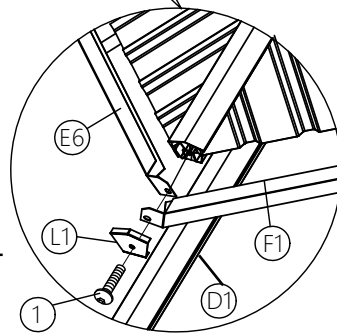
16 1X



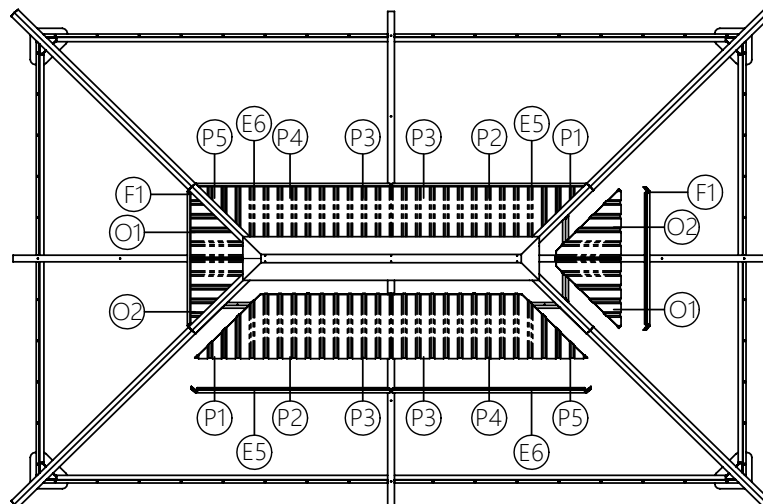
Connect roof as below.



Attach finishing bar (PART E5&E6) with joint cover (PART L2) using screws 1# as shown in diagram.



Attach finishing bar (PART E6&F1) with finishing end (PART L1) using screws 1# to corner roof bar (PART D1), as shown in diagram, you may need to bent the bar ends a little to make it match the joint.

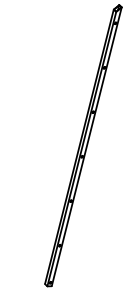


Push the roof panels (PART P1,P2,P3,P4,P5,O1,O2) to upper roof as shown in diagram.

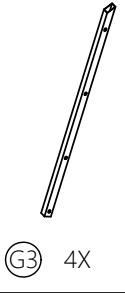
<14>



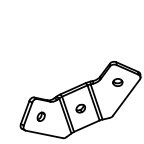
Mind Roof Panel Falling !
Do NOT stand under the roof except the installer with a safety hat !



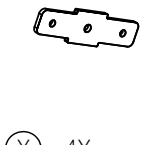
G2 4X



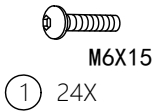
G3 4X



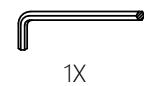
W 4X



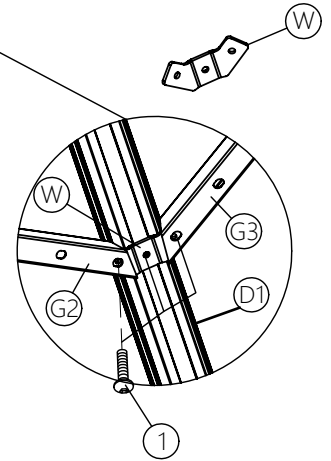
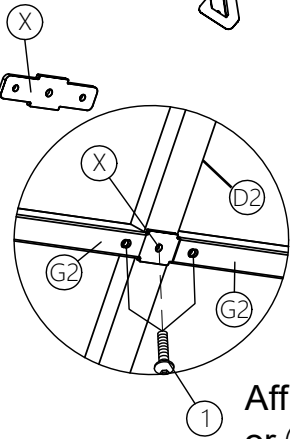
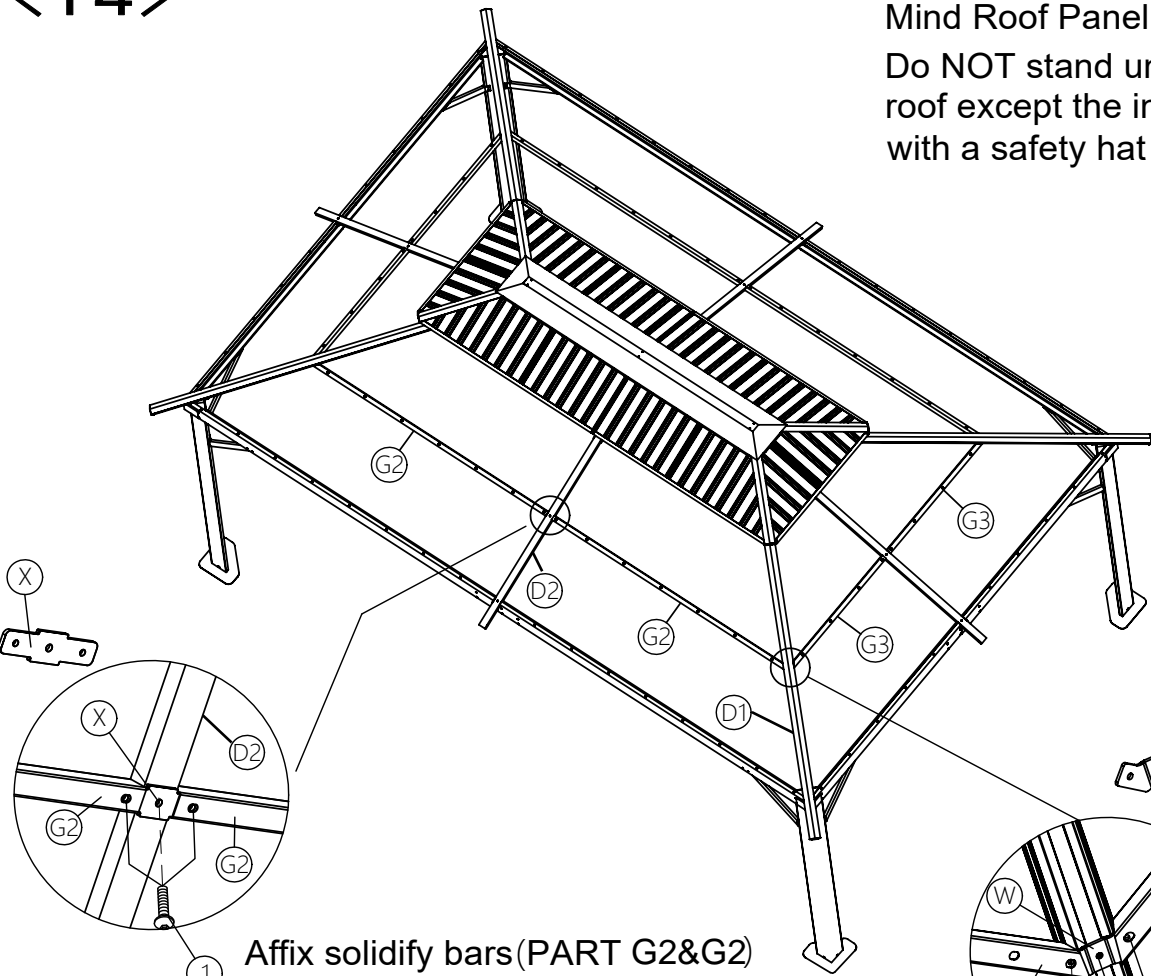
X 4X



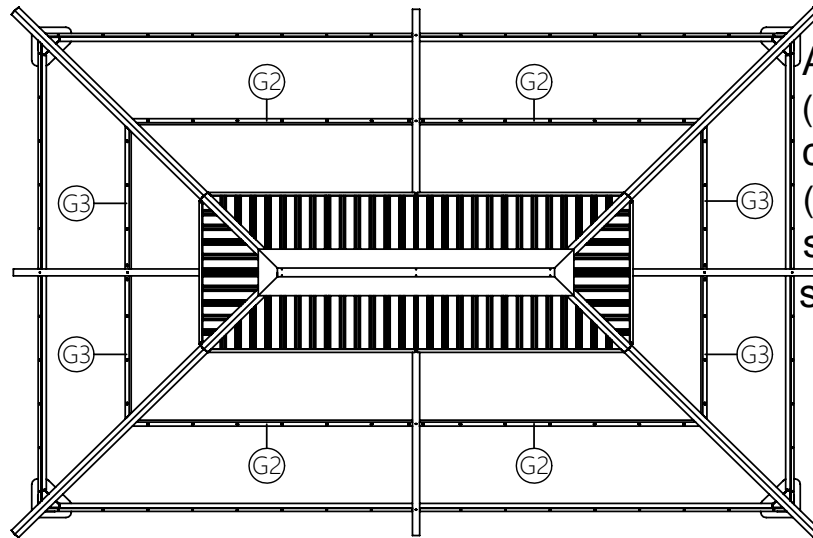
1 24X



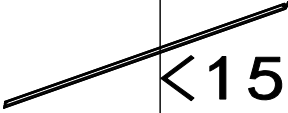


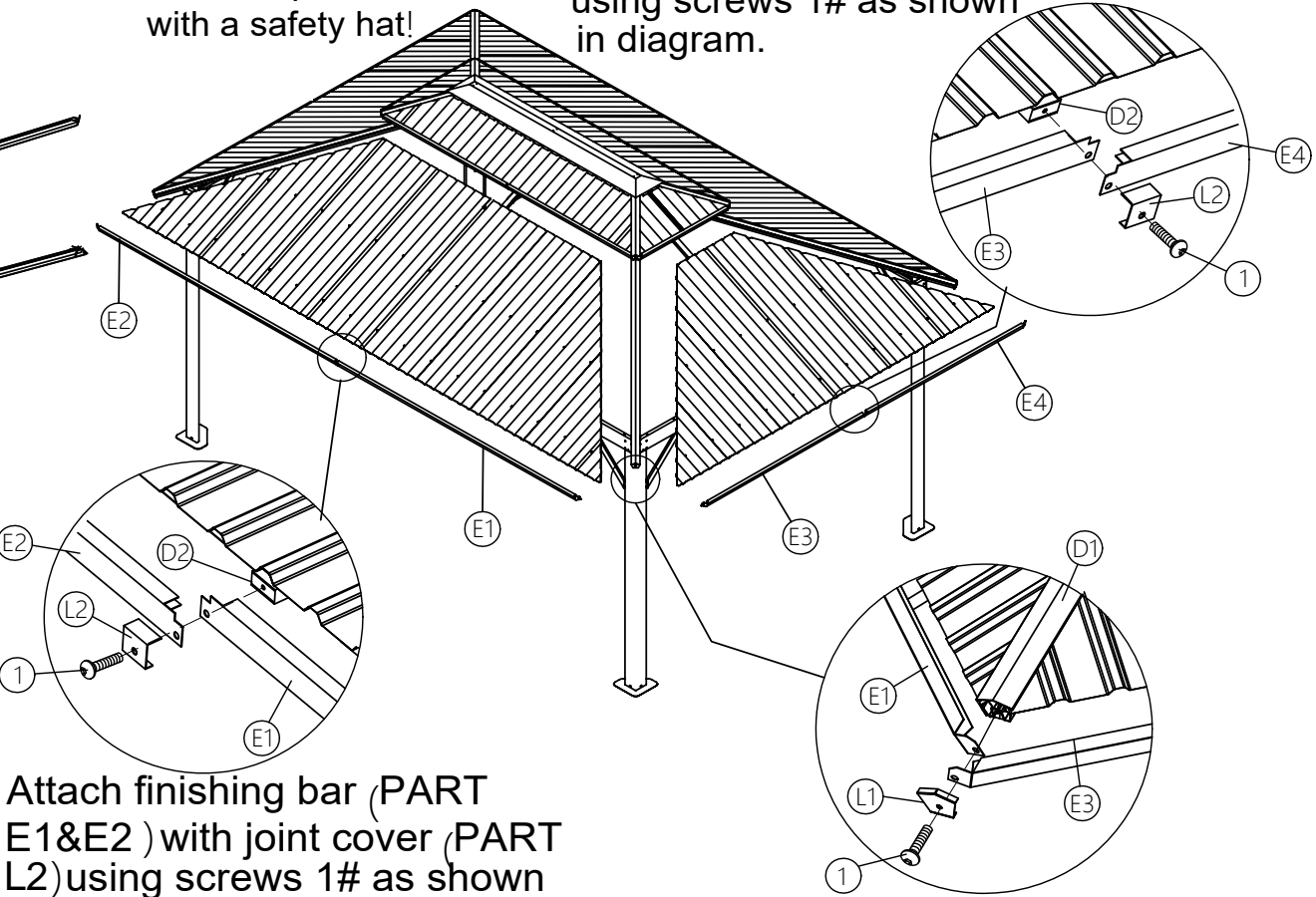
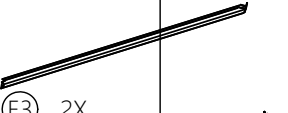
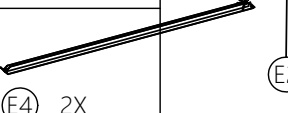



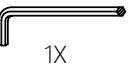
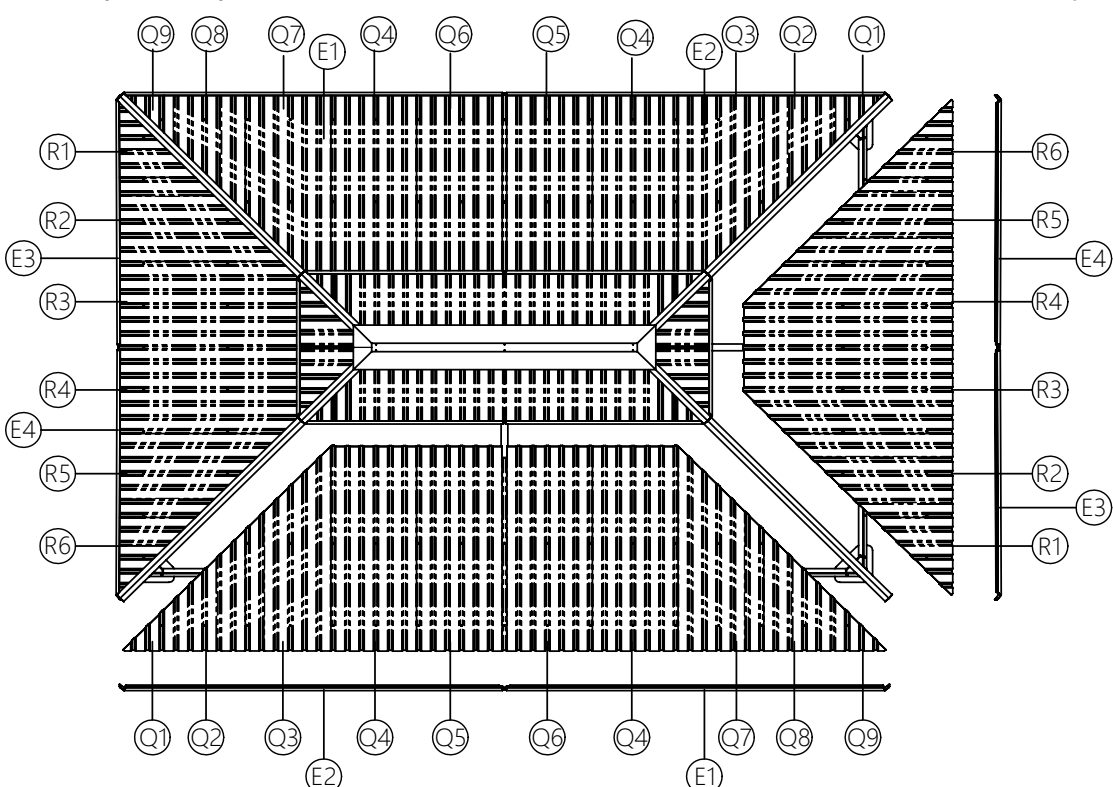
1X



Affix solidify bars (PART G2&G2) or (PART G3&G3) together to roof bar (PART D2) using connecting patch (PART X) and screws 1# as shown in diagram.



Attach solidify bar (PART G2&G3) with connecting patch (PART W) using screws 1# as shown in diagram.

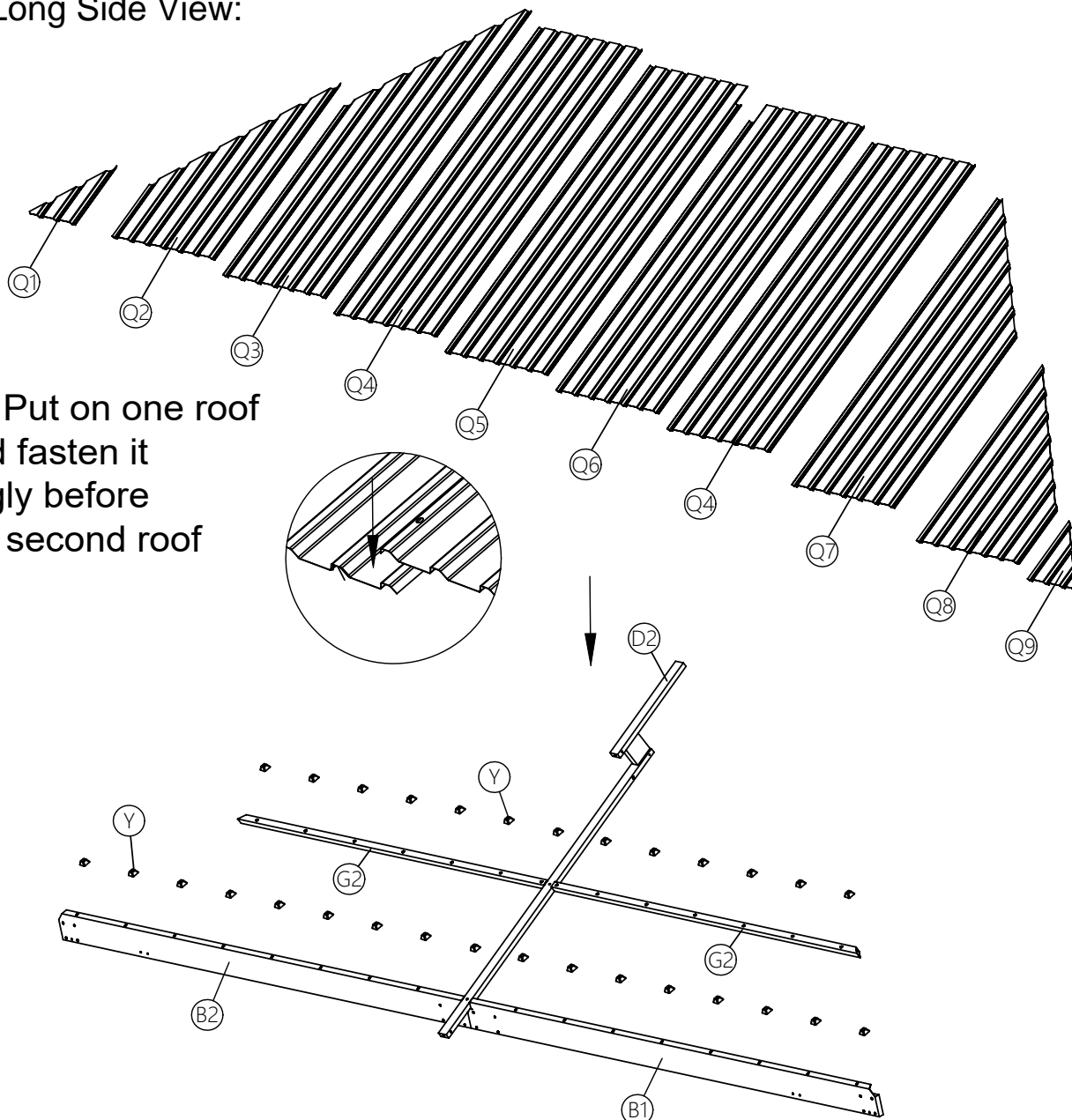
 (E1) 2X	 <p><15></p> <p>Mind Roof Panel Falling ! Do NOT stand under the roof except the installer with a safety hat!</p> <p>Attach finishing bar (PART E3&E4) with joint cover (PART L2) using screws 1# as shown in diagram.</p>
 (E2) 2X	
 (E3) 2X	
 (E4) 2X	
 (L2) 4X	
 (L1) 4X	
 (1) 8X	
 1X	
<p>18</p>	<p>Attach finishing bar (PART E1&E2) with joint cover (PART L2) using screws 1# as shown in diagram.</p> <p>Attach finishing bar (PART E1&E3) with finishing end (PART L1) using screws 1# to corner roof bar (PART D1), as shown in diagram, you may need to bent the bar ends a little to make it match the joint.</p> 

<16>



Mind Roof Panel Falling !
Do NOT stand under the
roof except the installer
with a safety hat !

Long Side View:



Attention: Put on one roof panel and fasten it accordingly before attaching second roof panel.

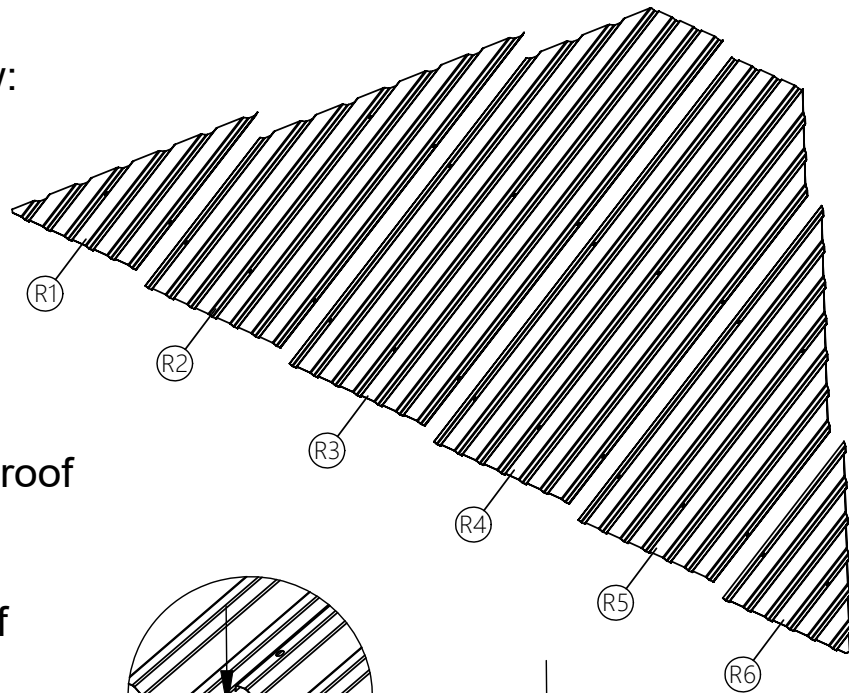
Affix roof panels using screws and spacers (PART Y) as shown in diagram.

<17>

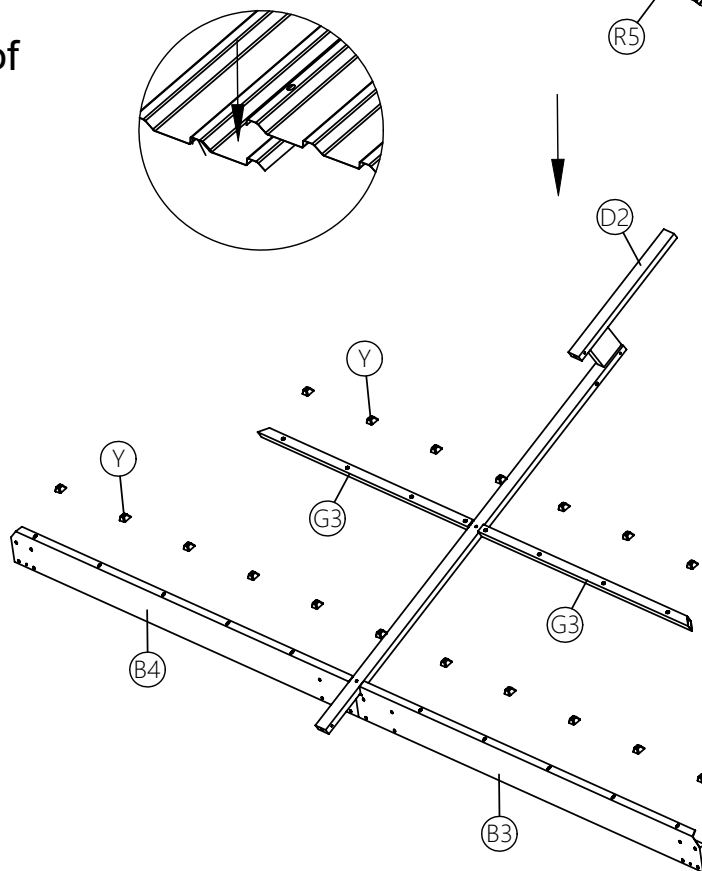


Mind Roof Panel Falling !
Do NOT stand under the
roof except the installer
with a safety hat !

Short Side View:



Attention: Put on one roof
panel and fasten it
accordingly before
attaching second roof
panel.

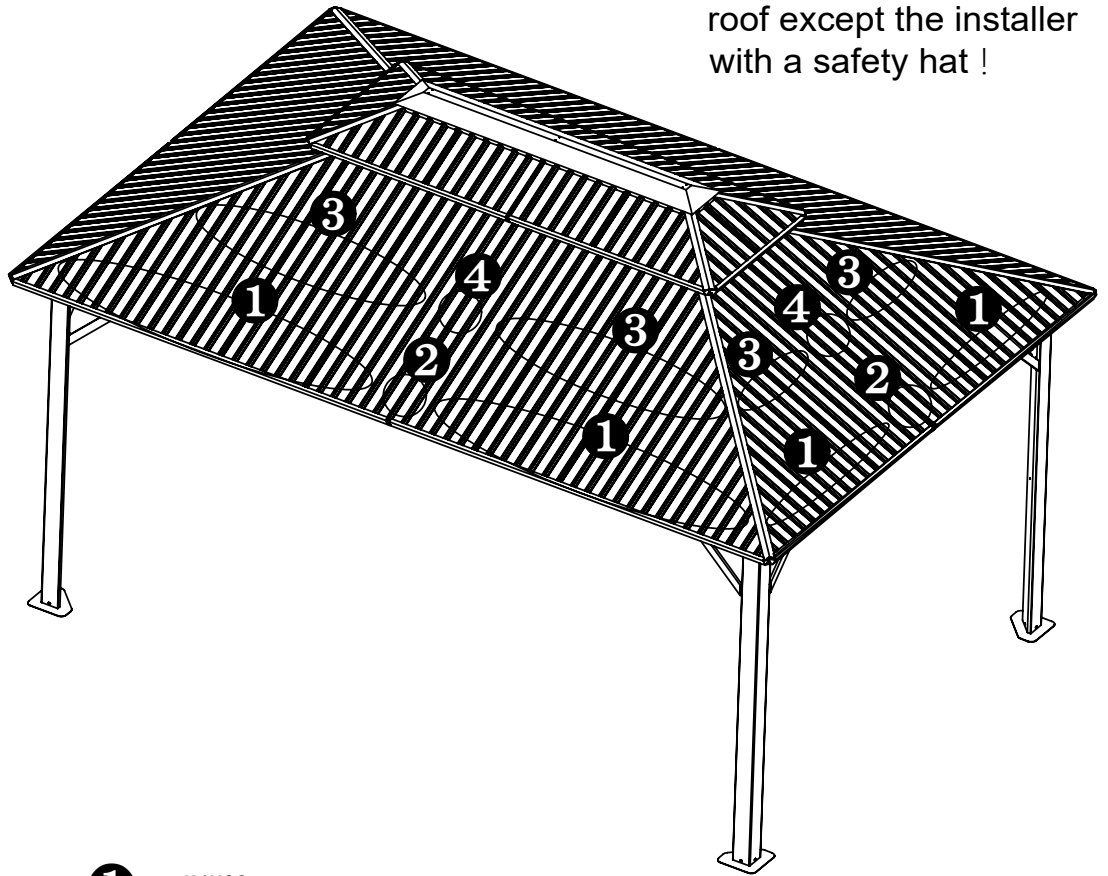


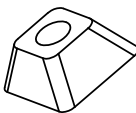
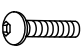

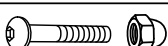


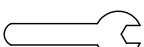
Affix roof panels using screws and spacers (PART Y)
as shown in diagram.

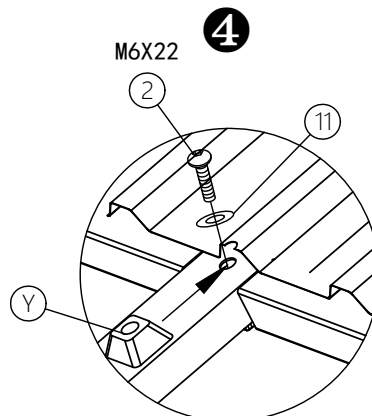
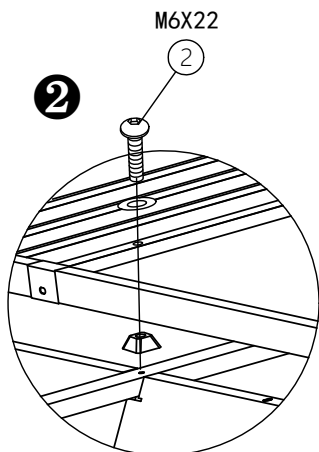
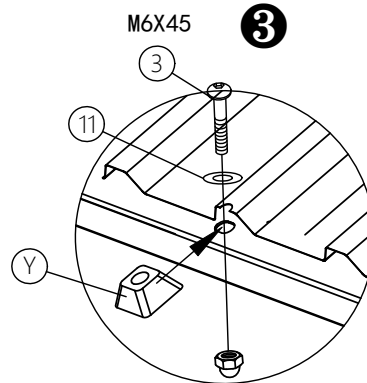
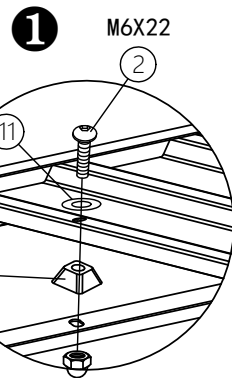
<18>



Mind Roof Panel Falling !
Do NOT stand under the roof except the installer with a safety hat !

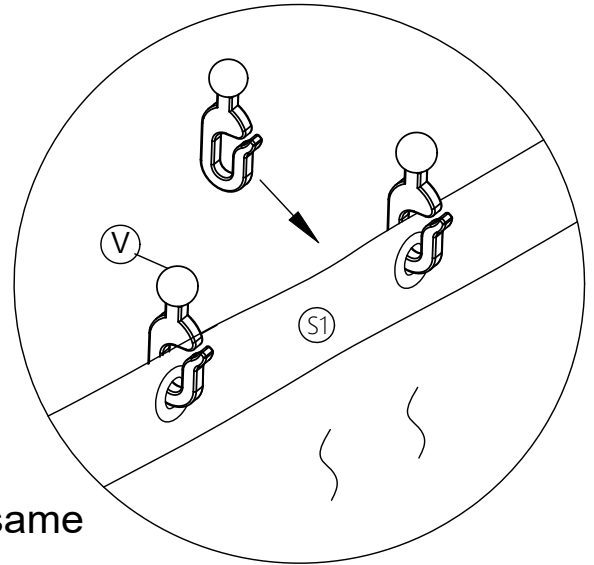
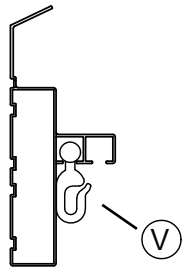


-  (Y) 96X
-  8X
-  52X
M6X22
- (2) 8X+52X
-  M6X45
- (3) 36X
-  (11) 96X
-  1X
-  1X
- 21**

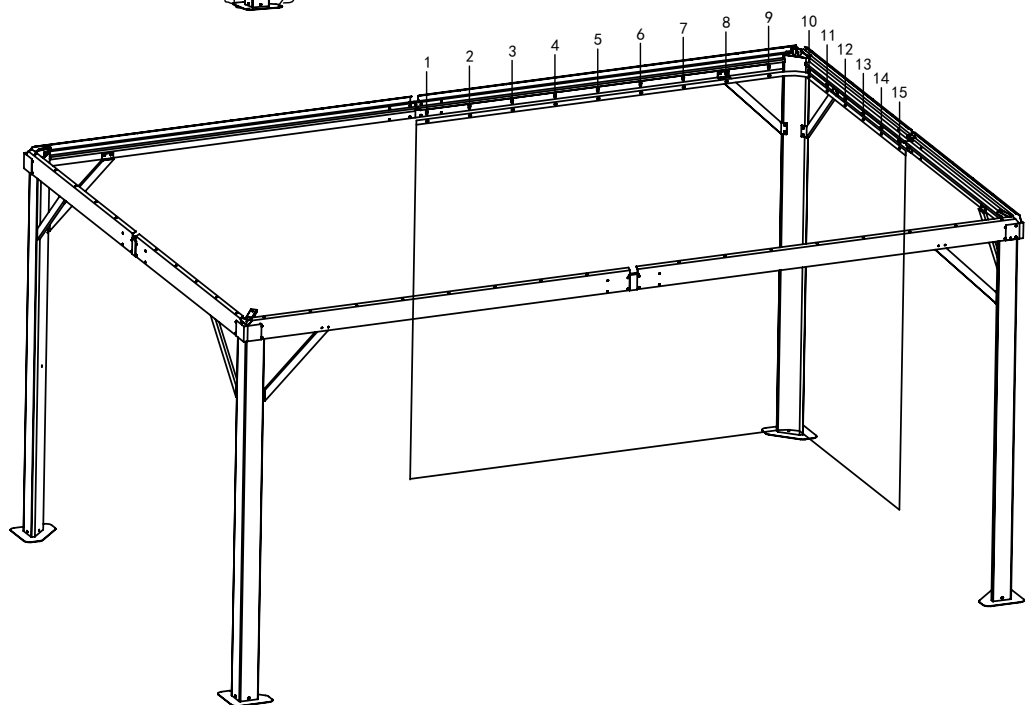
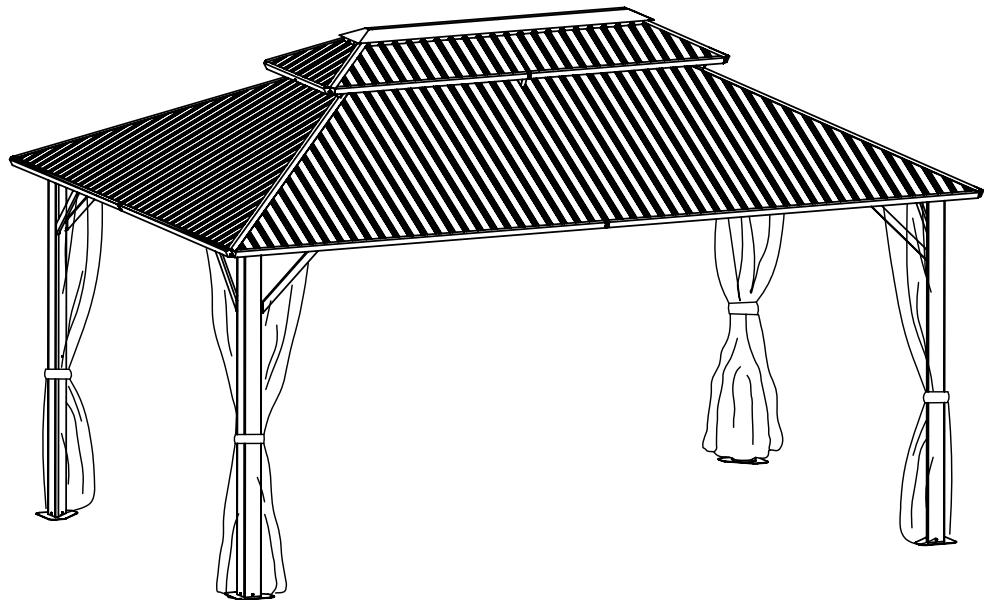


Place rubber gasket (11#) at the upper end of the iron piece and spacers (PART Y) at the lower section of the iron piece and pass through both with screws as shown in diagram, finally tighten it.

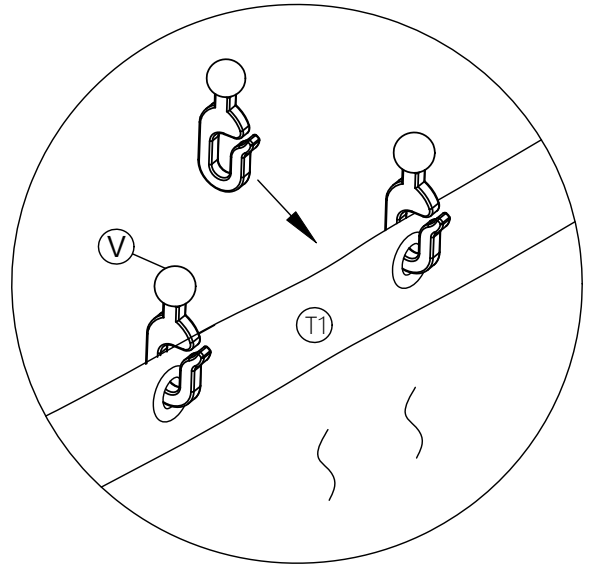
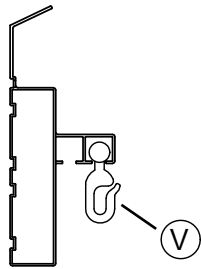
<19>



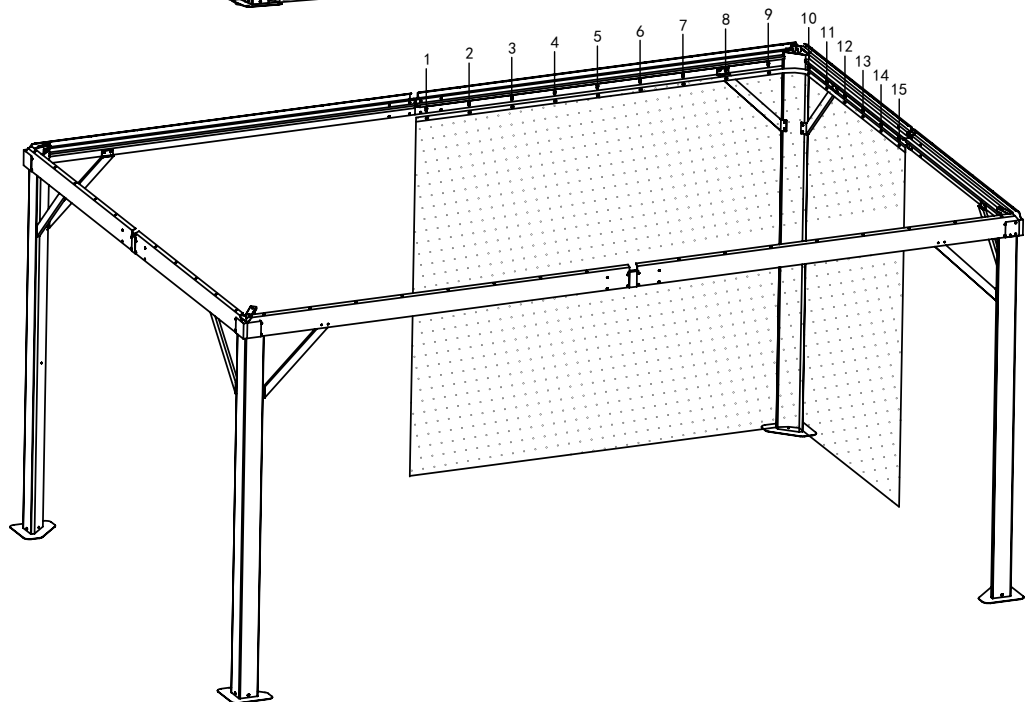
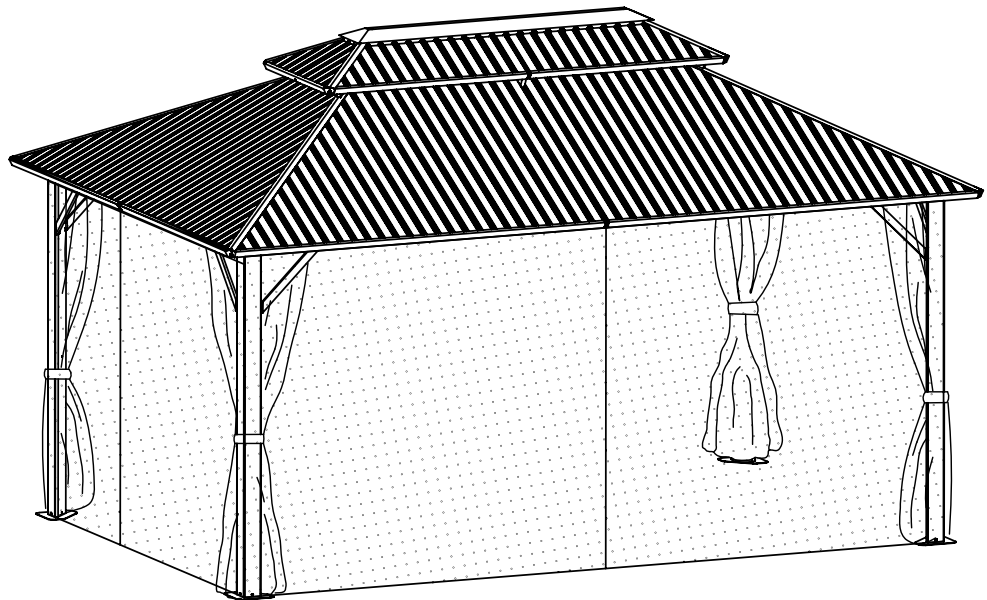
Hang up side curtains (PART S1) as shown in diagram, the other side is the same step.



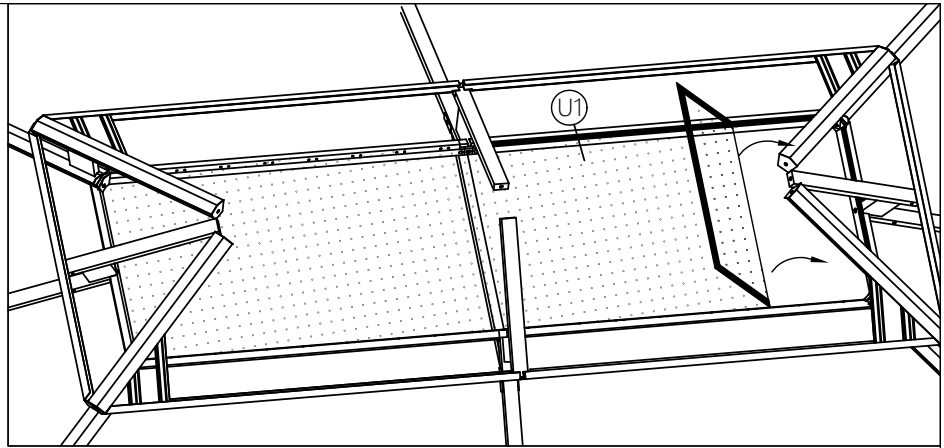
<20>



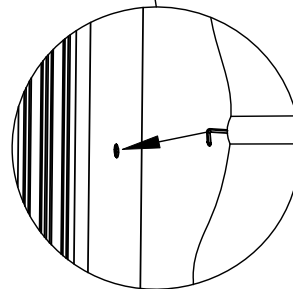
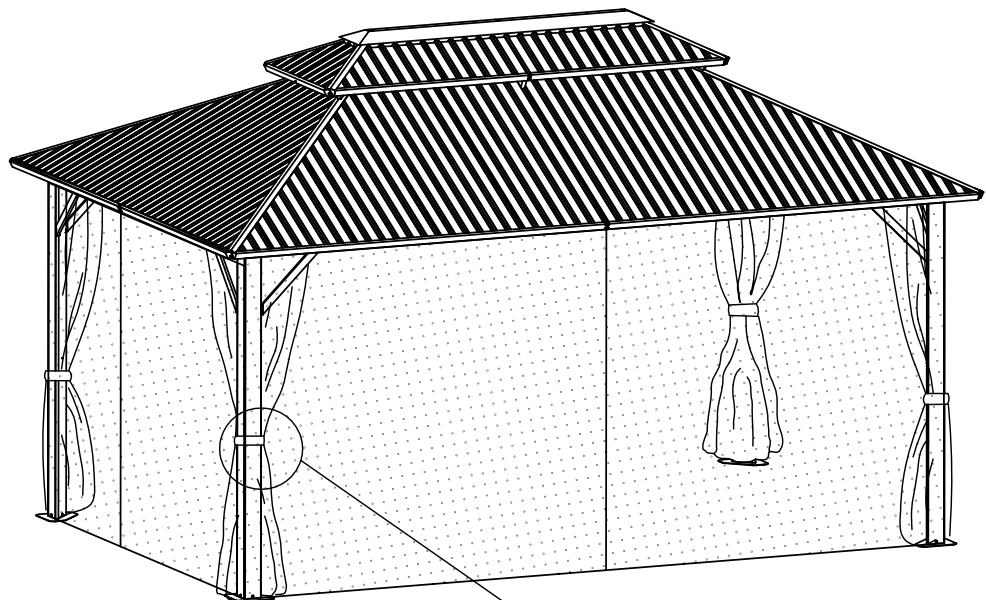
Hang up mosquito sidewalls(PART T1) as shown in diagram,the other side is the same step.



<21>

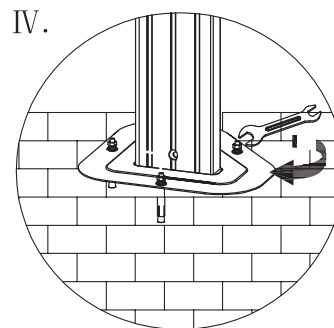
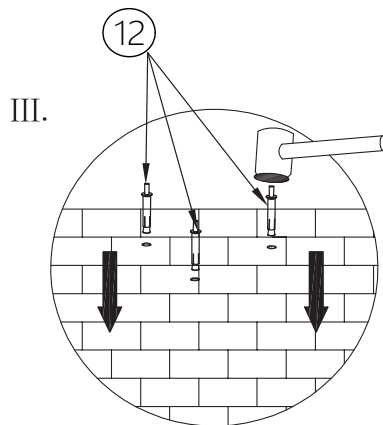
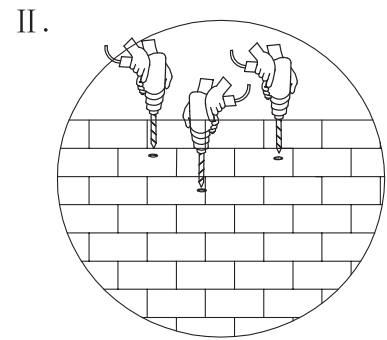
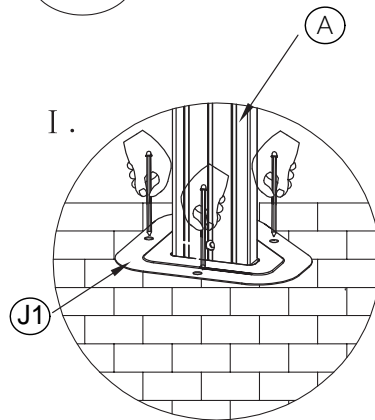
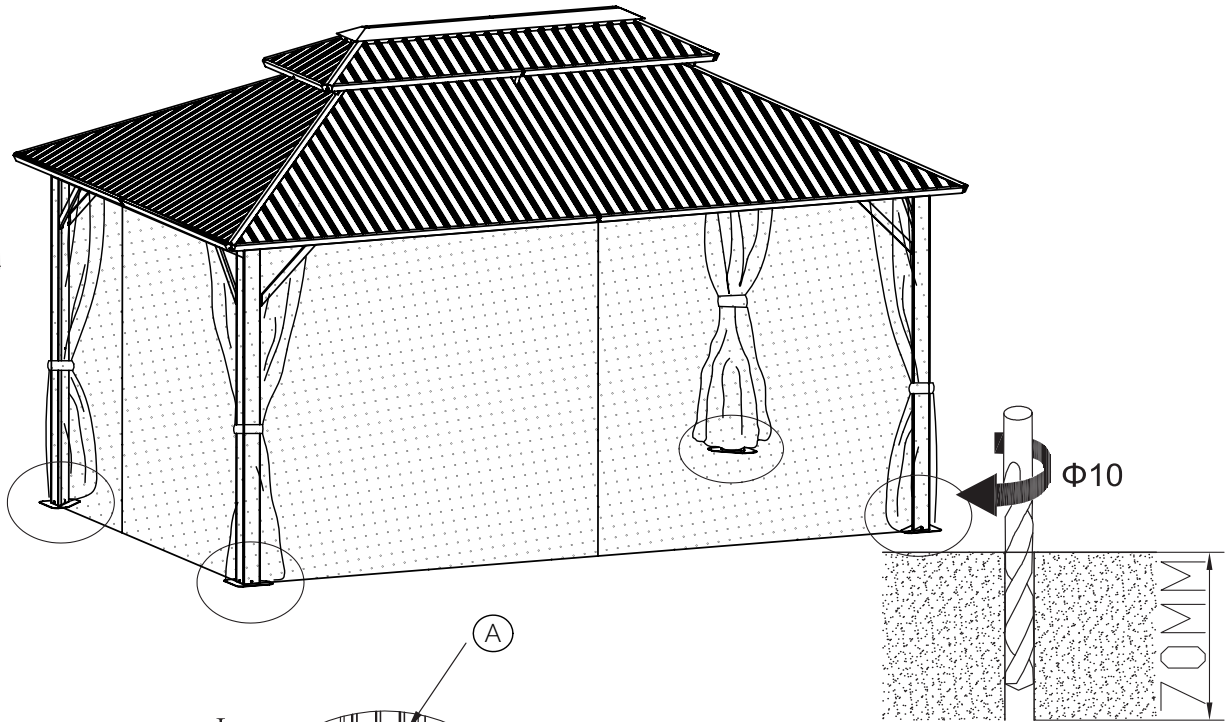


Attach top mosquito netting (PART U1) as shown in diagram.





12 12X



Complete Installation

To improve wind resistance, be sure to complete this installation step. If expansion screws or ground nails are not installed, strong winds may topple the gazebo.

Expansion screws are essential for stability on cement surfaces, and ground nails are for grassy surfaces.

In the end, check all screws are fixed tightly before using.



HOTEEL

10*15 FT DOUBLE ROOF HARD TOP GAZEBO

