

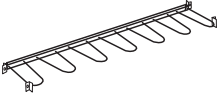
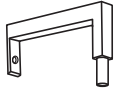





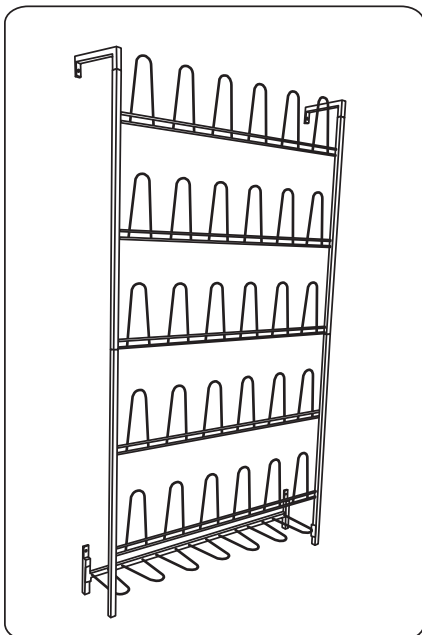
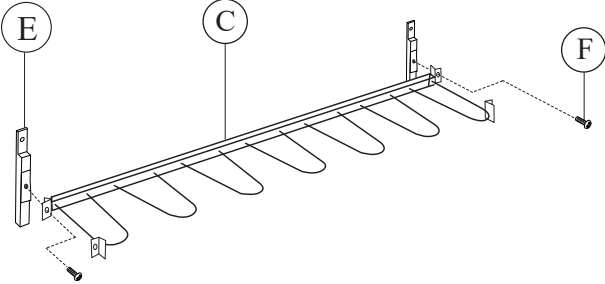


# The Metal Shoe Rack

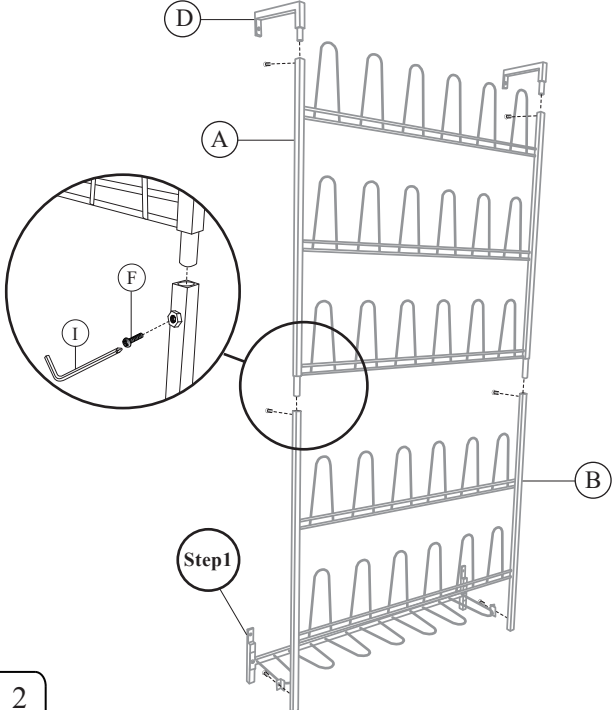
| No. | Part   | Pcs |
|-----|--|-----|
| A   |             | 1   |
| B   |             | 1   |
| C   |             | 1   |
| D   |             | 2   |
| E   |           | 2   |
| F   | <br>M6×12 | 8   |
| G   | <br>S4×30 | 4   |
| H   |           | 4   |
| I   |           | 1   |



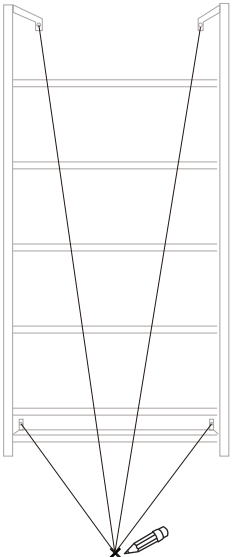
1



2

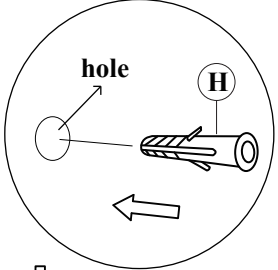


3



Mark center of each hole using the fully assembled product.

4

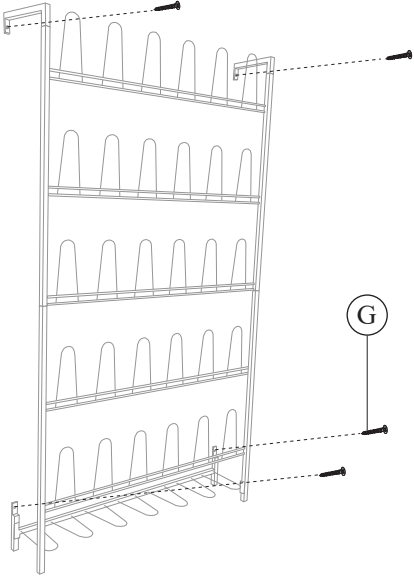


hole

H

wall

5



G