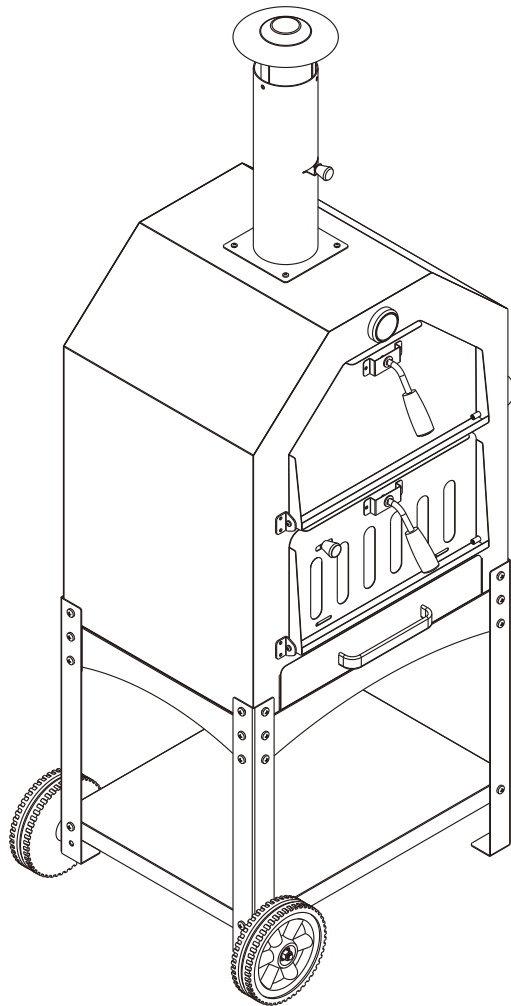
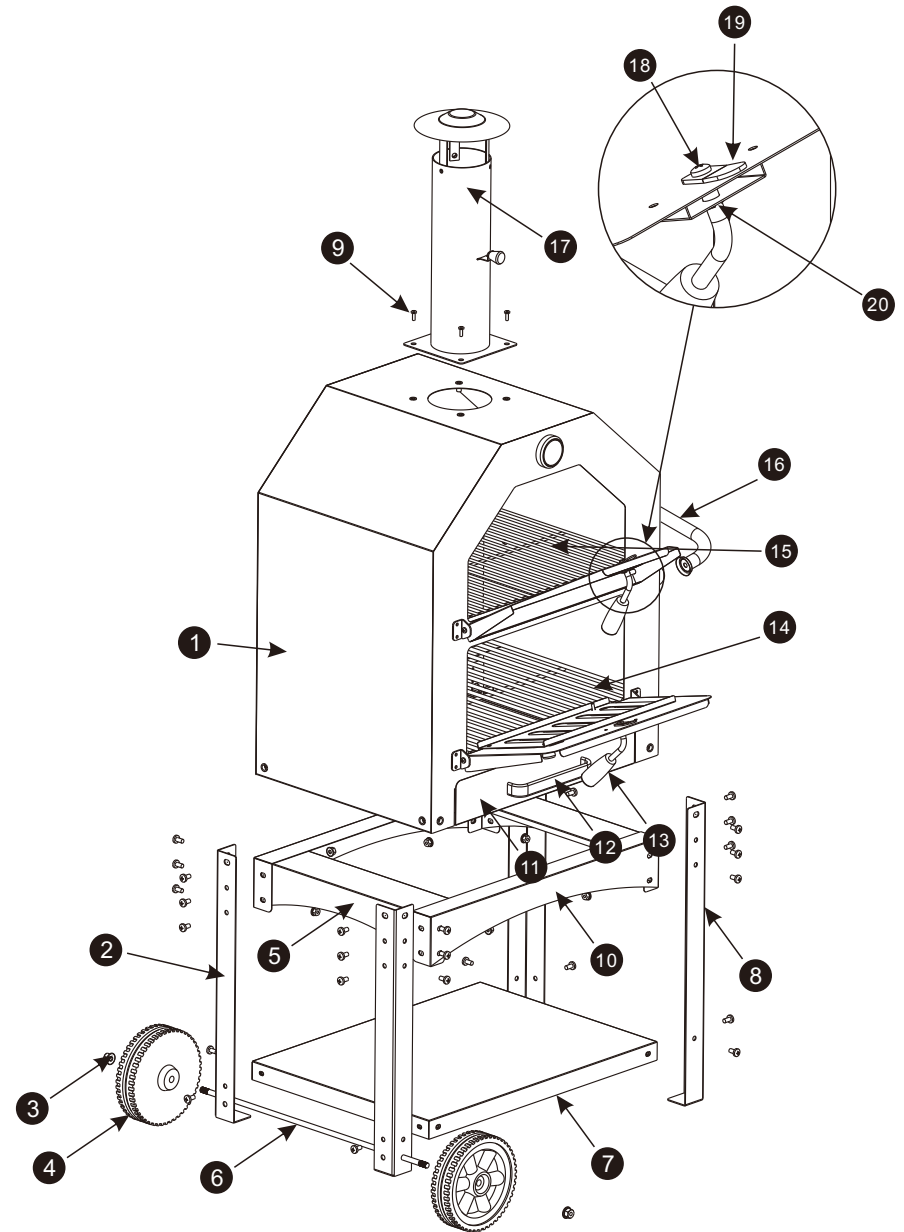


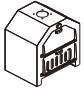

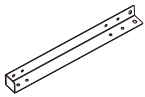
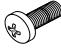

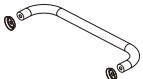

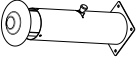
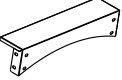



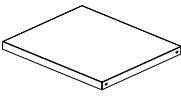


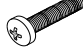




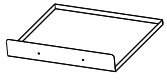

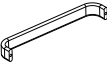


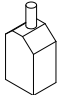
# PIZZA OVEN INSTRUCTION MANUAL



## PART LIST

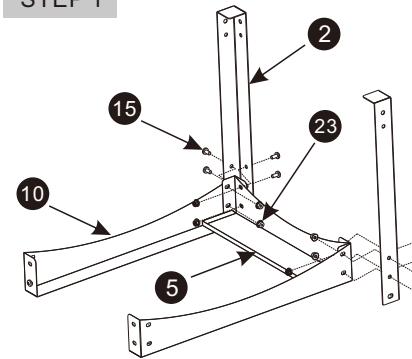


## PART LIST

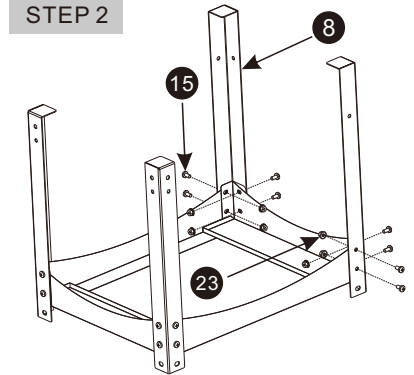
1		x1	14		x4
2		x2	15	 M6x12	x32
3	 M8	x2	16		x1
4		x2	17		x1
5		x2	18	 M5x6	x2
6		x1	19		x2
7		x1	20		x2
8		x2	21	 M6x25	x2
9	 M5x12	x8	22	 M4x6	x2
10		x2	23	 M6	x24
11		x1	24		x1
12		x1	25		x1
13		x2	26		x1

## ASSEMBLY STEPS

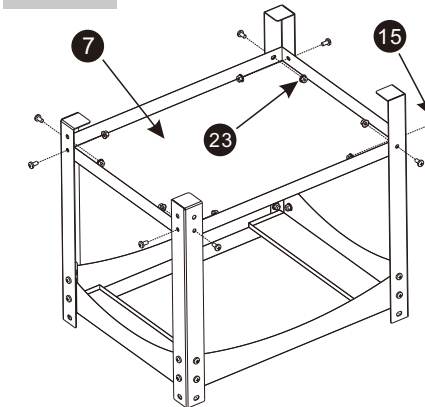
STEP 1



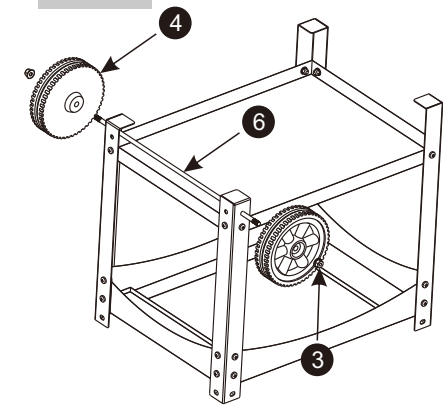
STEP 2



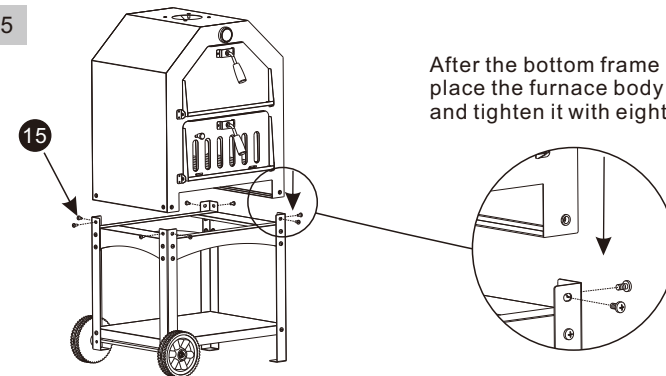
STEP 3



STEP 4



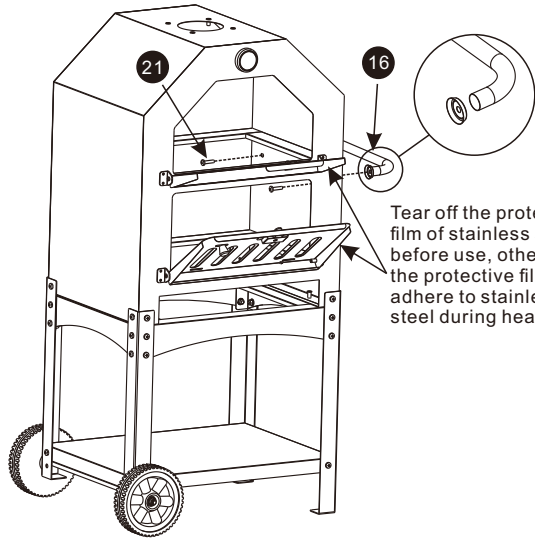
STEP 5



After the bottom frame is assembled, place the furnace body on the frame and tighten it with eight M6x12 screws.

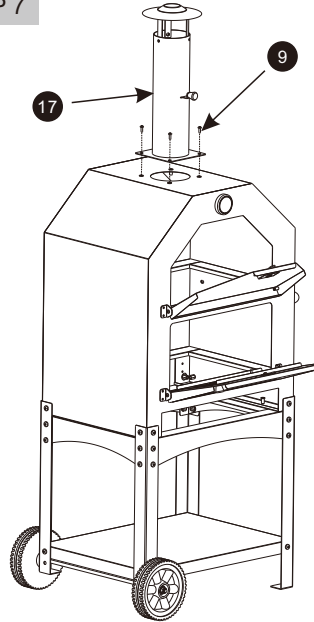
## ASSEMBLY STEPS

### STEP 6



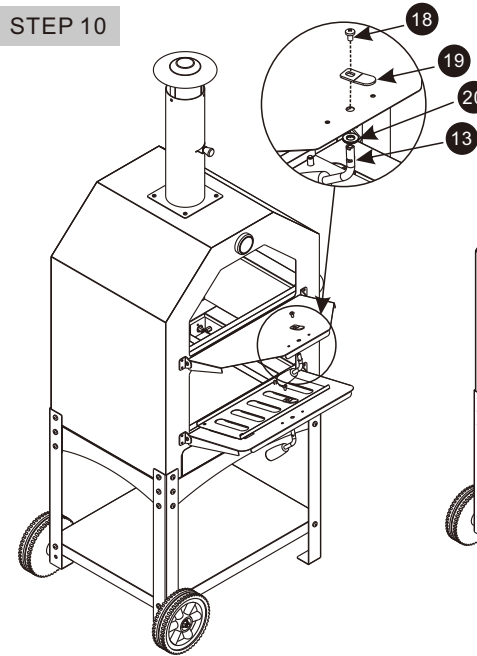
Tear off the protective film of stainless steel before use, otherwise the protective film will adhere to stainless steel during heating.

### STEP 7

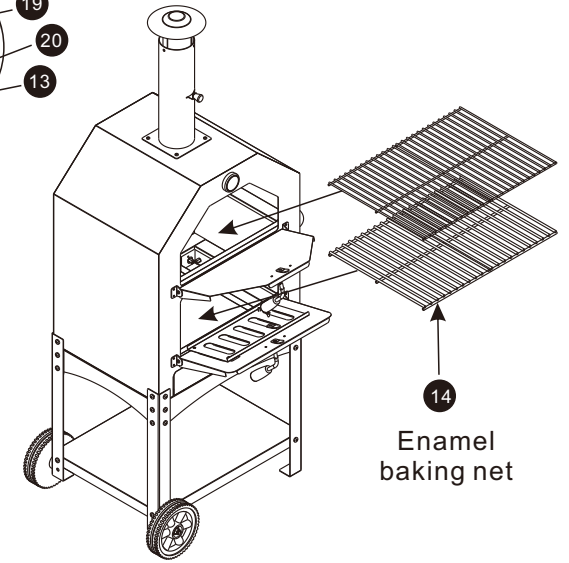


## ASSEMBLY STEPS

### STEP 10

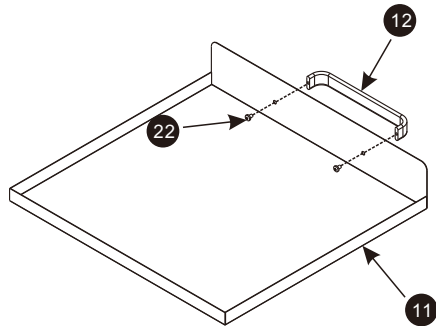


### STEP 11

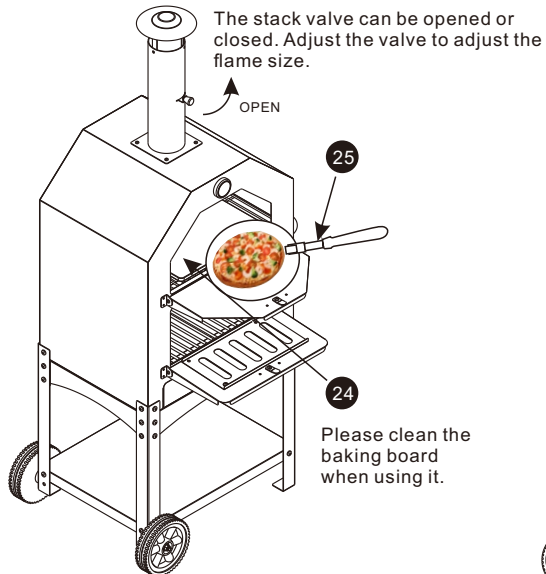
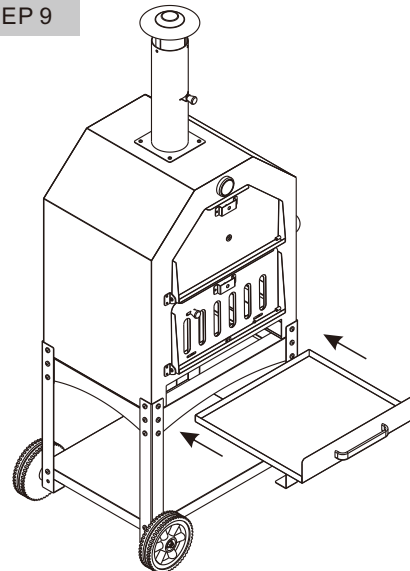


Enamel baking net

### STEP 8



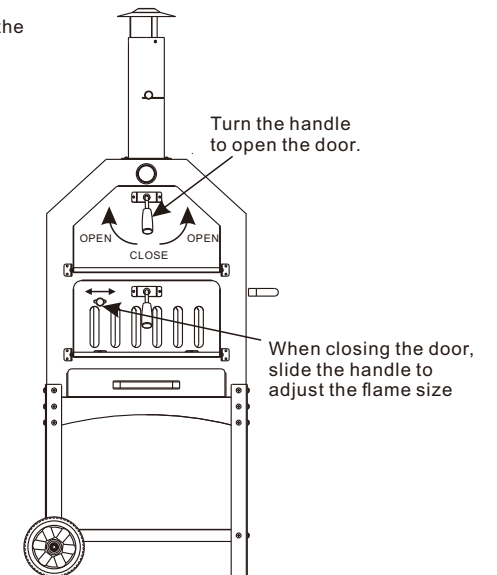
### STEP 9



The stack valve can be opened or closed. Adjust the valve to adjust the flame size.

OPEN

Please clean the baking board when using it.



Turn the handle to open the door.

When closing the door, slide the handle to adjust the flame size

Put the pizza on the baking board with a pizza shovel.