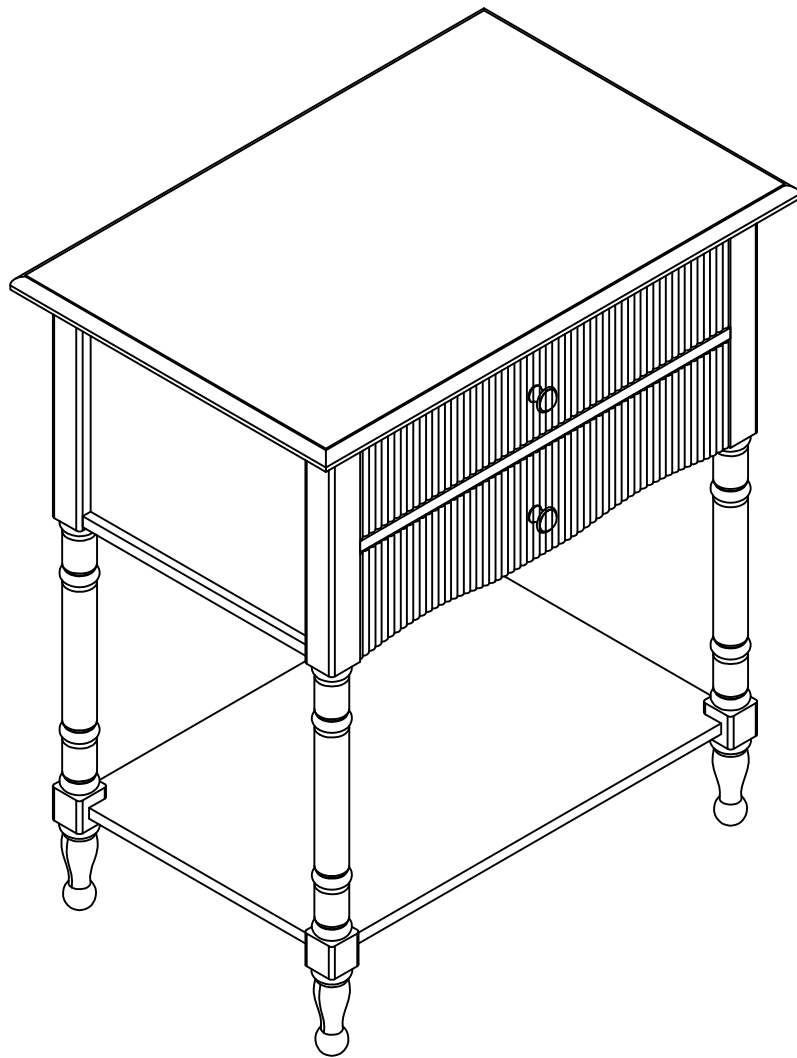


Owner Manual



MAINTENANCE AND WARNINGS

Thank You For Choosing Our Furniture.

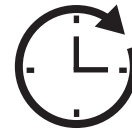
Please read the instructions and warnings carefully before use, to ensure safe and satisfactory operation of this product.

NOTE :

This brochure contains IMPORTANT safety info. Please read and keep it for future reference.



Weight Limitation
80 LBS



Installation:
10 minutes.







Two Person



Before You Start

Please follow the steps below:

-  Unbox the package and check if all parts and accessories are complete.
-  If you find something missing, stop assembly and contact your supplier immediately.
-  Please do not completely tighten all the hardware until the entire assembly is completed! Be sure to tighten all the hardware once the assembly completed.
-  NOTE: Should be assembled on soft surface to keep balance.

After-Sales Service

- If you encounter any issues or need technical support during use, please contact our after-sales team. We offer long-term maintenance and warranty services.



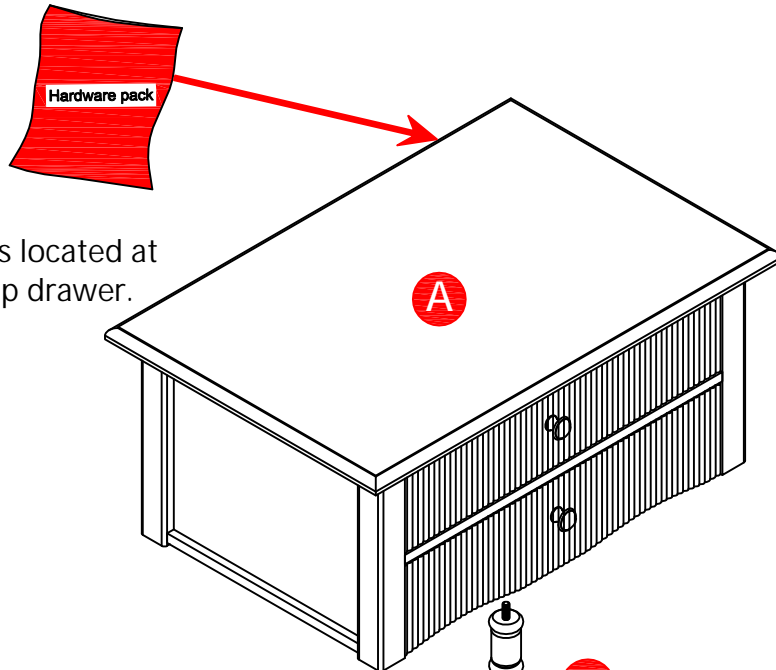
Warranty

- ⚠️ We strive to offer high , quality products, and we also try our best to satisfy each and every customer that orders from us with product or service as needed. Each customer must provide a record of their order such as the order number, or item receipt for any items that are out of the warranty period you may also still receive replacement parts by purchasing them with our company if they are available.
- ⚠️ Are you having difficulty with assembly? Missing parts? Please send email with your order number to **us**
- ⚠️ For return, please check the return policy with the retailer or market place you bought from. Appreciate your purchasing from us. Pop up your life by our furniture piece!

Daily Maintenance

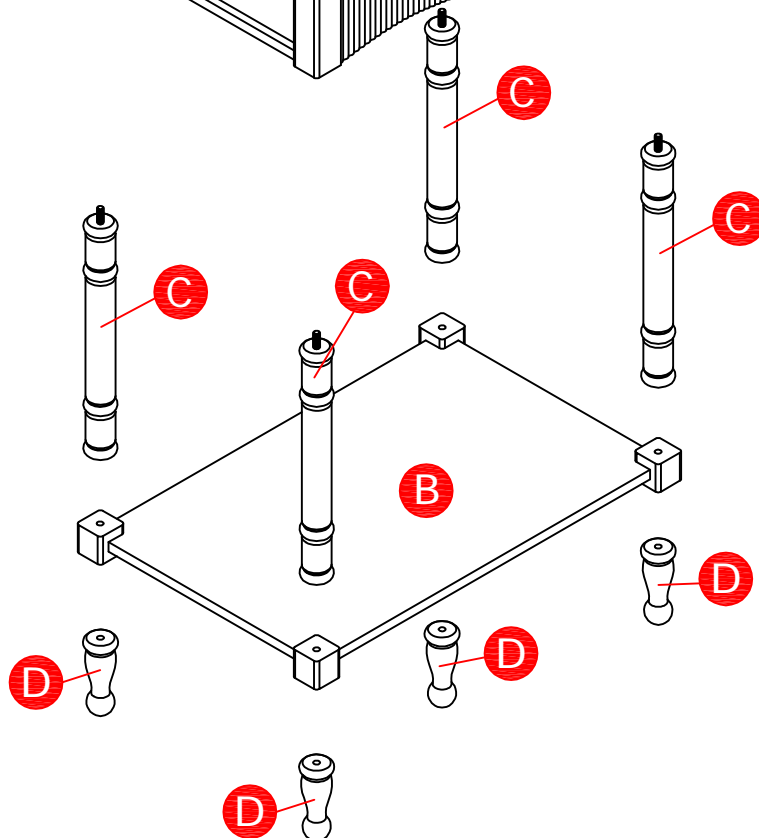
- Keep furniture away from heat.
- Do not use cleaning agents containing acids, alkalis, or corrosive substances, as they may damage the surface. It is recommended to use neutral cleaning agents or specialized furniture cleaners.
- Do not place furniture under direct sunlight, material will possibly fade over time.
- Do not use on site dry cleaning machine.
- Children should not climb or jump on the furniture.
- Do not write on furniture without a padded barrier to protect the surface.
- Not for commercial use, for residential use only.

Exploded Diagram



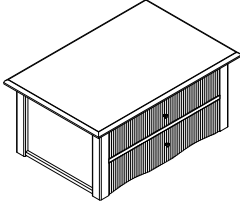
Note:

The hardware kit is located at the back of the top drawer.



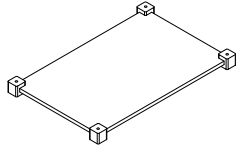
Parts List

A x1



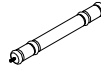
Top panel

B x1



Bottom panel

C x4



Leg

D x4



Foot

Hardware List

1 x1



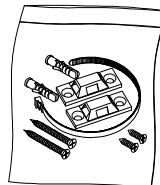
Hanger bolt D5\16 x3

2 x1



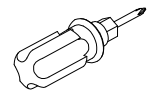
Adjustf oot

3 x1



Anti-toppling

4 x1

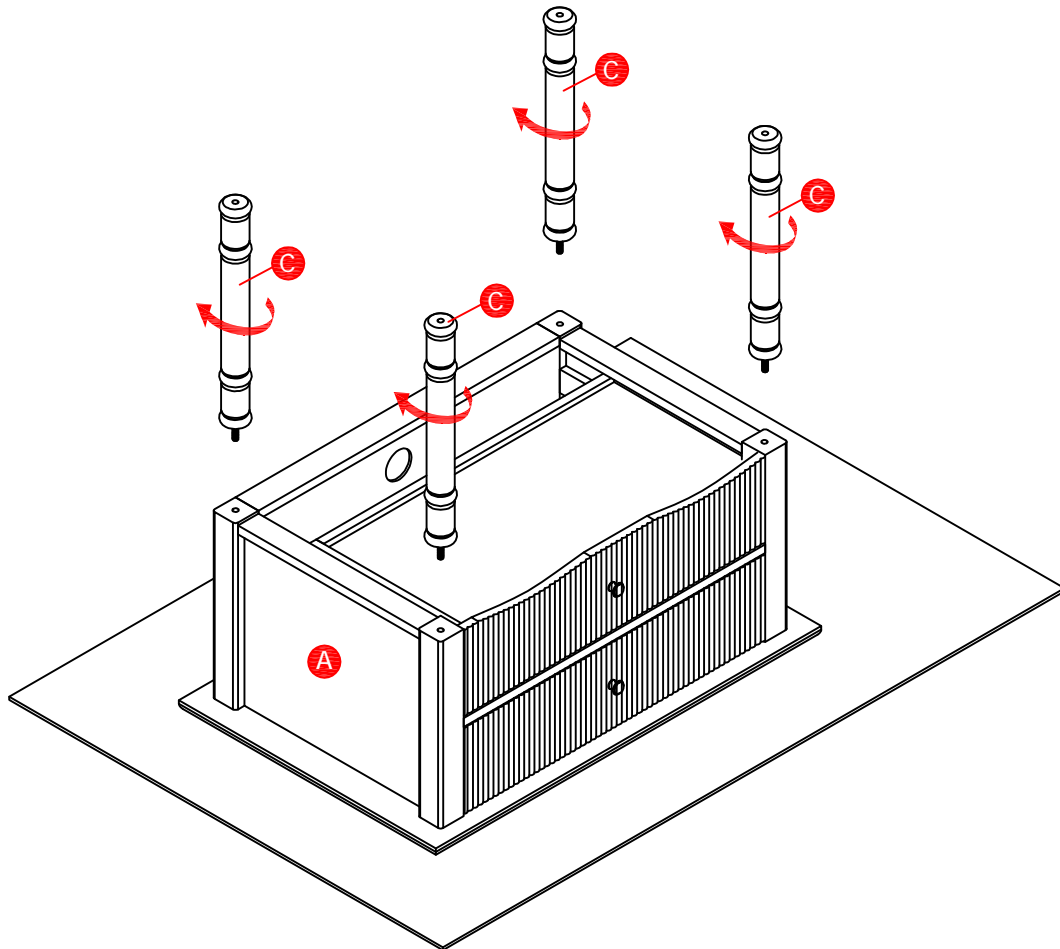


Screwdriver

Assembly Instructions

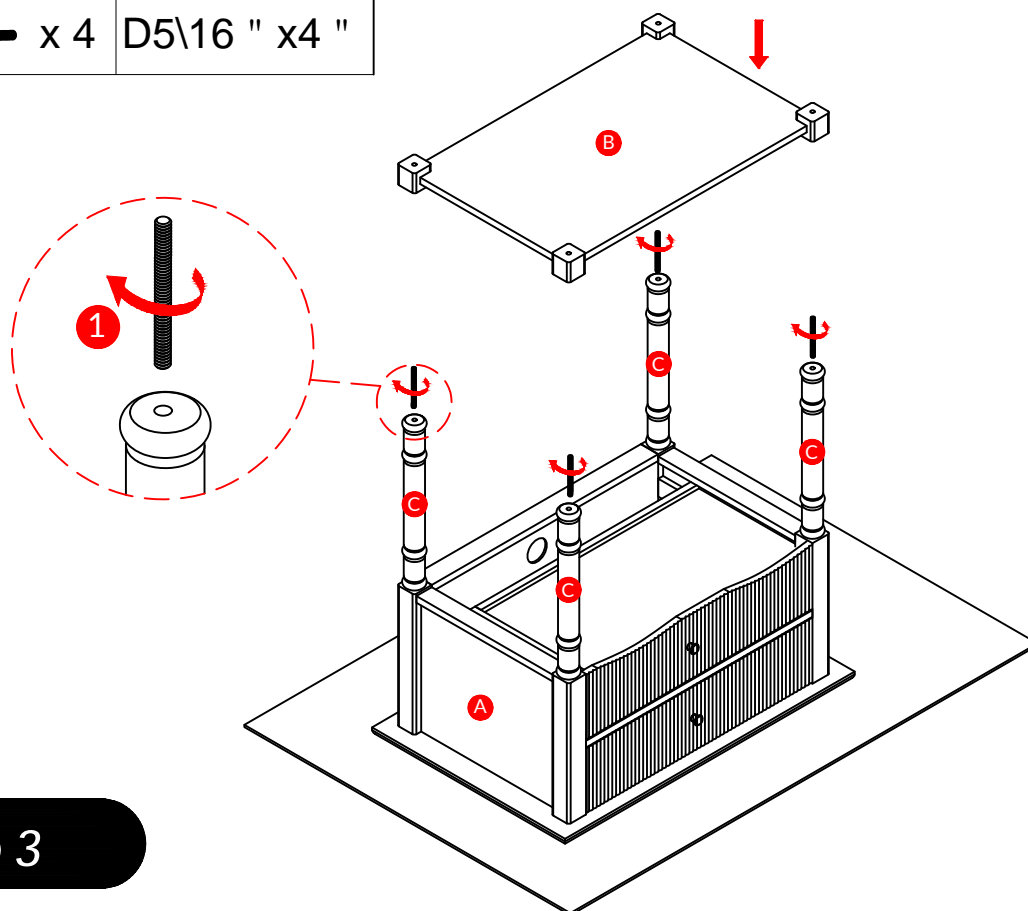
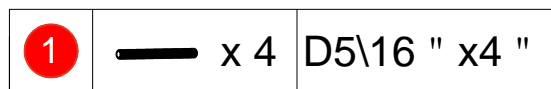
Step 1

Attach leg (C) to the top panel(A) as picture show.



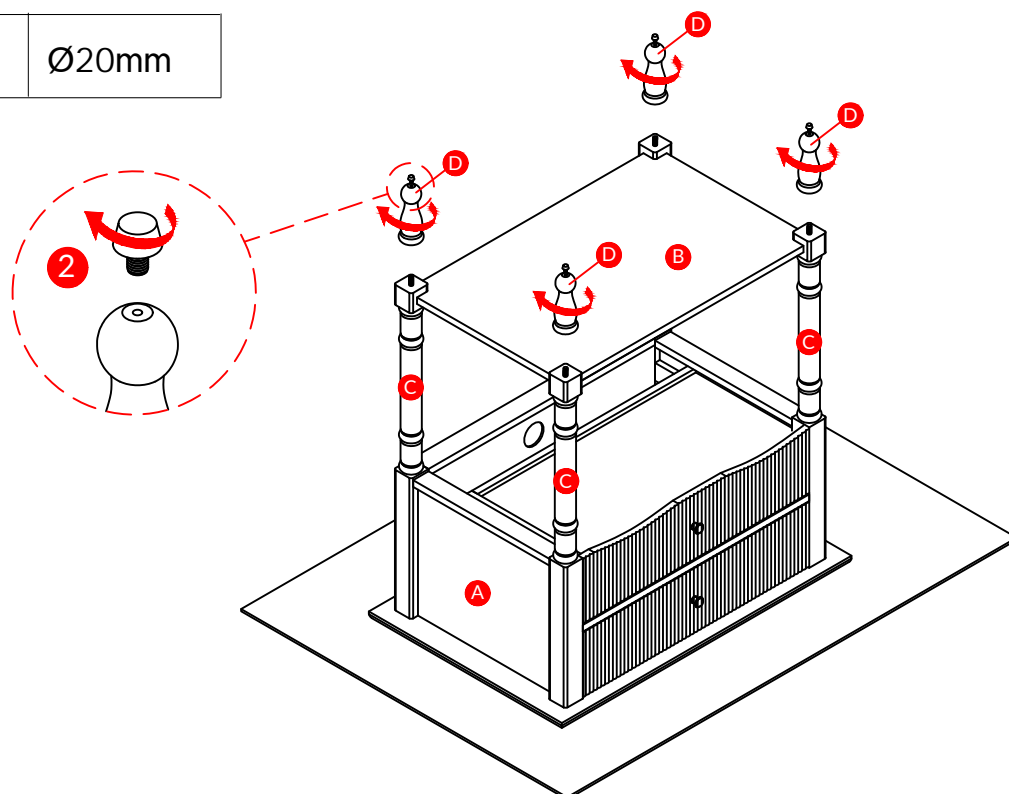
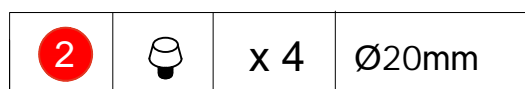
Step 2

Insert (1) into the top panel(A) ,attach panel B to the leg (C) as picture show.



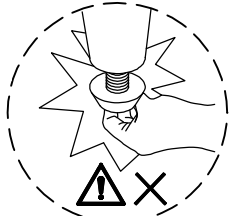
Step 3

Attach foot (D) to the panel(B) as picture show.

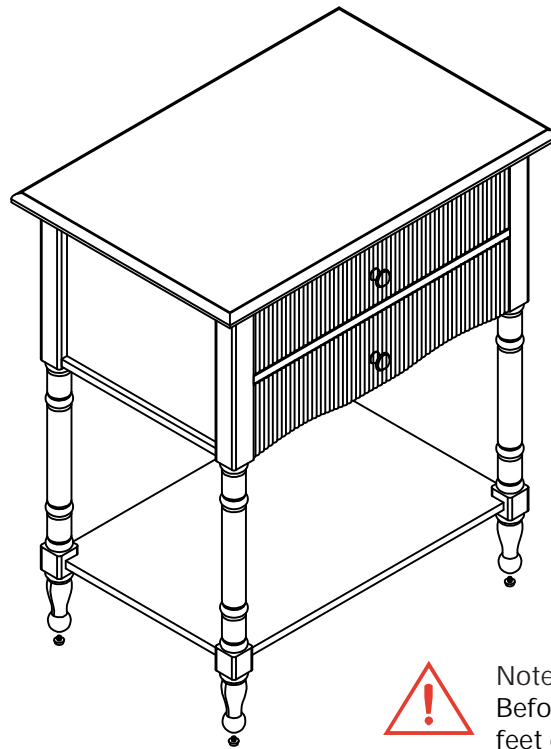
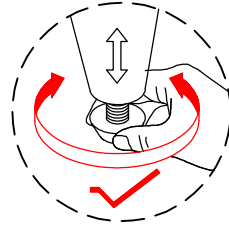


Step 4

Step ①



Step ②

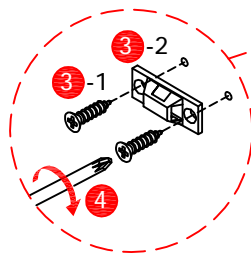
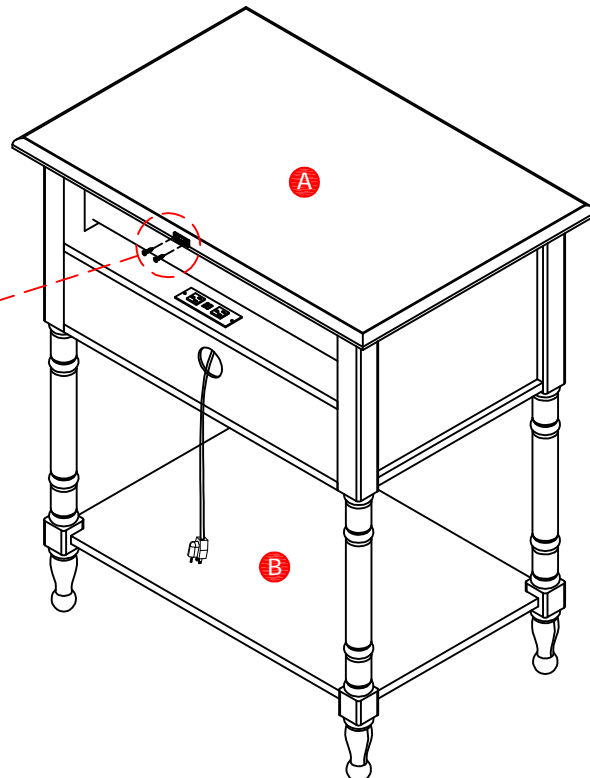


Note:

Before the next step, adjust the feet of the locker to keep it level.

Step 5

Install Anti-tip device (3) to the top panel (A) in this step as picture show.

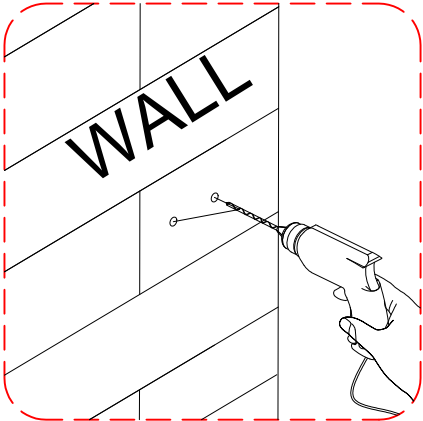
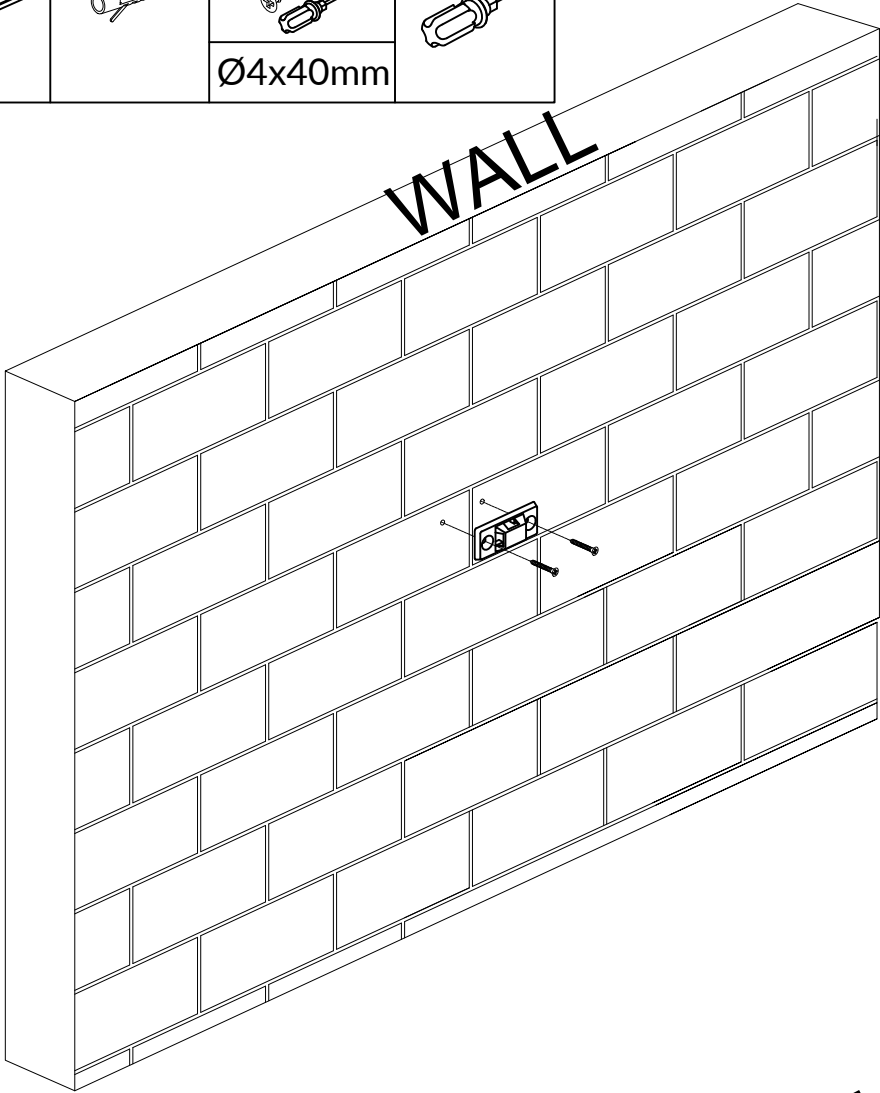


3	x 1	3-1	x 1	3-2	x 2	4	x 1
					Ø3x15mm		

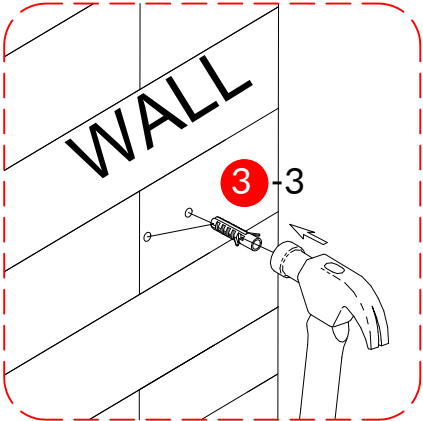
Step 6

Install Anti-tip device (3) to the wall in this step as picture show.

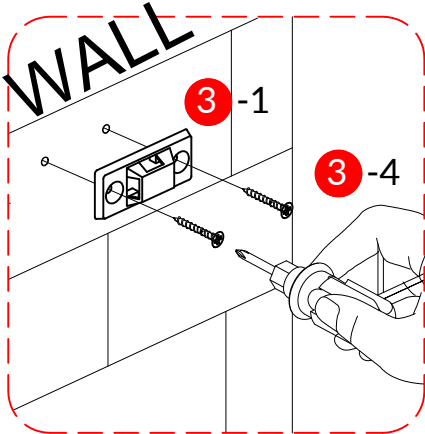
3	x 1	3-1	x 1	3-3	x 2	3-4	x 2	4	x 1
						 Ø4x40mm			



1. Drill a hole in the wall with an electric drill.



2. Tap the plastic wall anchor into the hole with a hsmmer



3. Secure the Anti-tip device to the wall with screws

Step 7



WARNING

Children have died from furniture tipover.

To reduce the risk of furniture tipover:

- ALWAYS install Anti-tip device provided.
- For use with televisions weighing 35 lb or less. Use with heavier televisions may result in instability causing tip-over resulting in death or serious injury.
- NEVER allow children to stand, climb or hang on drawers, doors, or shelves.
- NEVER open more than one drawer at a time.
- Place heaviest items in the lowest drawers.

