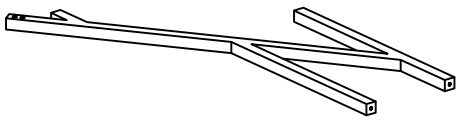
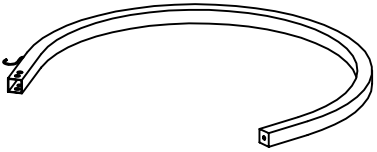
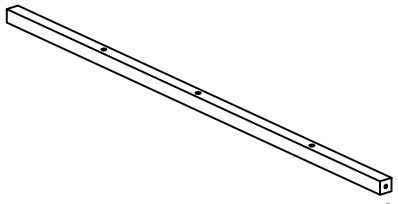
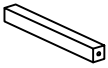
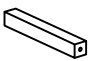
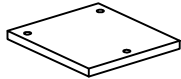
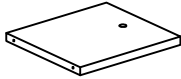
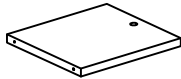
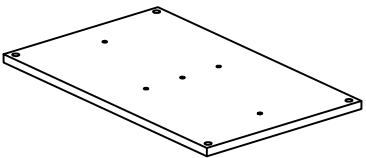
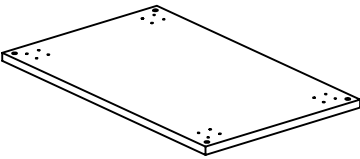
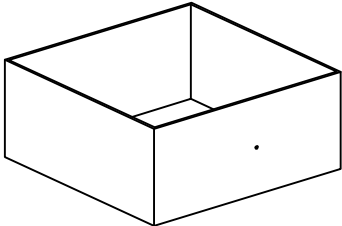
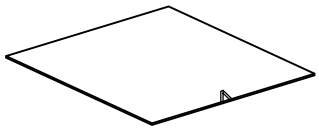



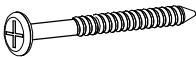

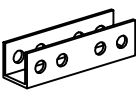

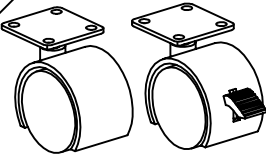

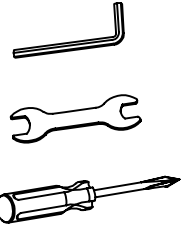
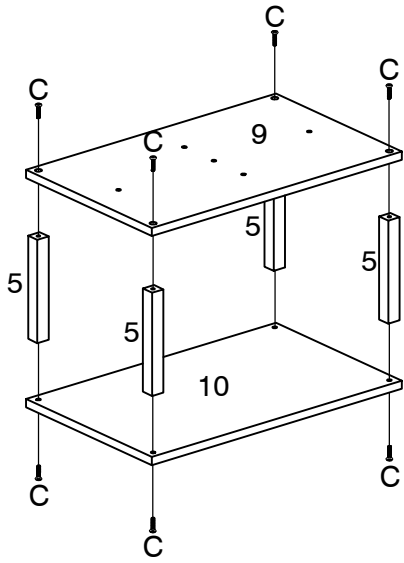


Assembling Instruction

Attention: Do not tighten the screws until all of them are in right positions

| | | | | |
|---|---|---|--|---|
| 1  x2 | 2  x2 | 3  x4 | | |
| 4  x2 | 5  x8 | 6  x2 | | |
| 7  x2 | 8  x4 | 9  x2 | | |
| 10  x2 | 11  x2 | 12  x2 | | |
| A  M4x8 x2 | B  M6 x8 | C  M6x30 x46 | D  M5x50 x12 | E  M4x14 x32 |
| F  x2 | G  x2 | H  x4 | J  x18 |  |

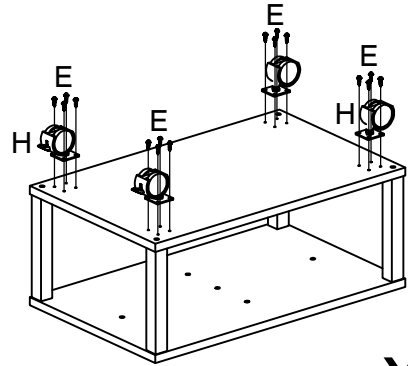
1



x2

| | |
|---|-----|
| C | x16 |
|---|-----|

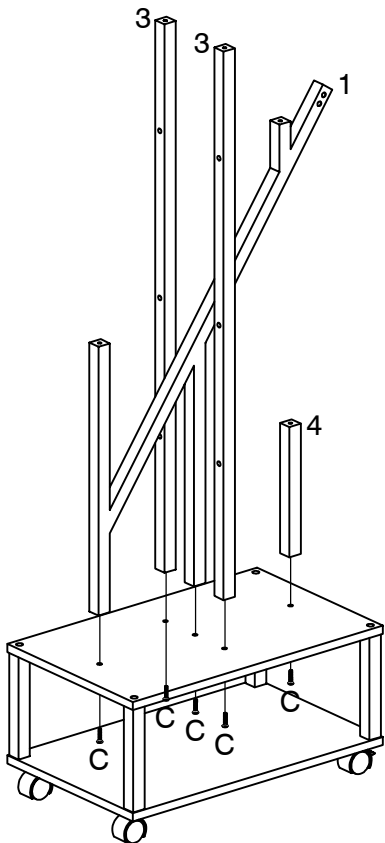
2



x2

| | |
|---|-----|
| E | x32 |
| H | x4 |

3

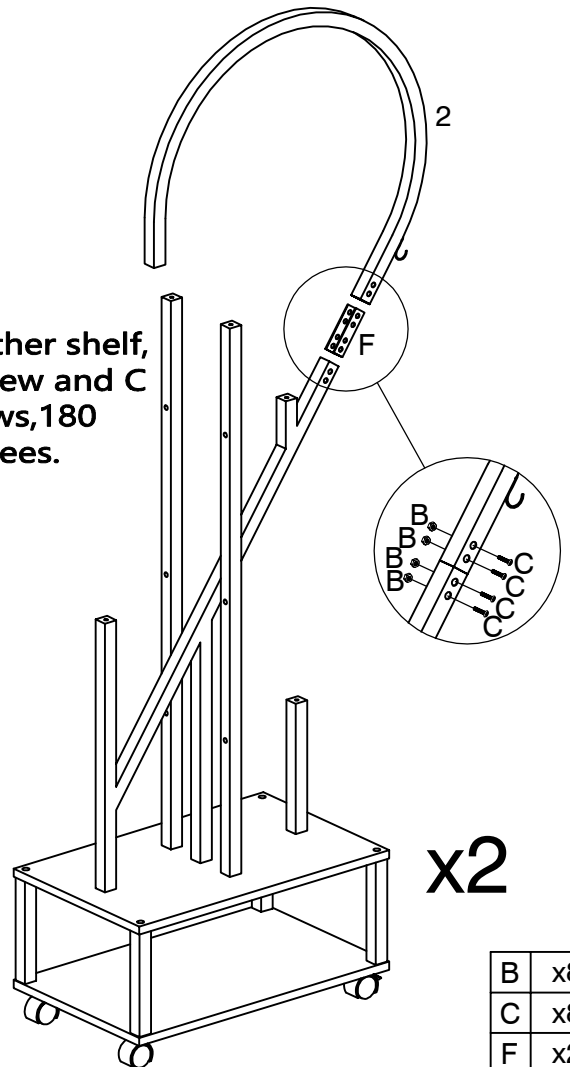


x2

| | |
|---|-----|
| C | x10 |
|---|-----|

4

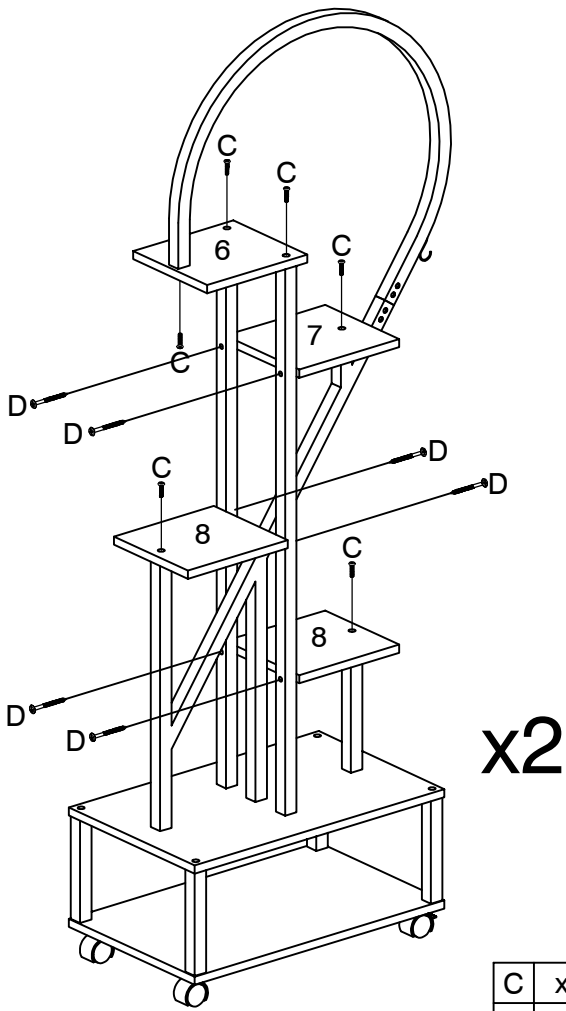
Another shelf, B screw and C screws, 180 degrees.



x2

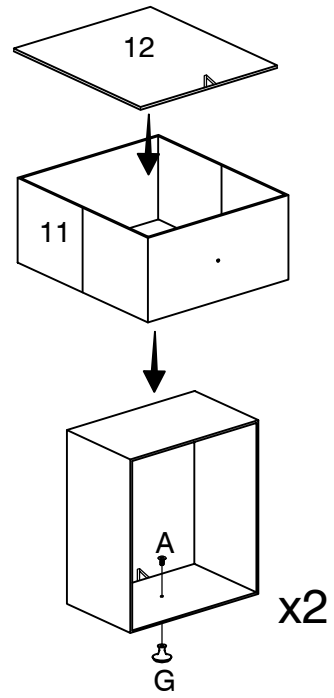
| | |
|---|----|
| B | x8 |
| C | x8 |
| F | x2 |

5



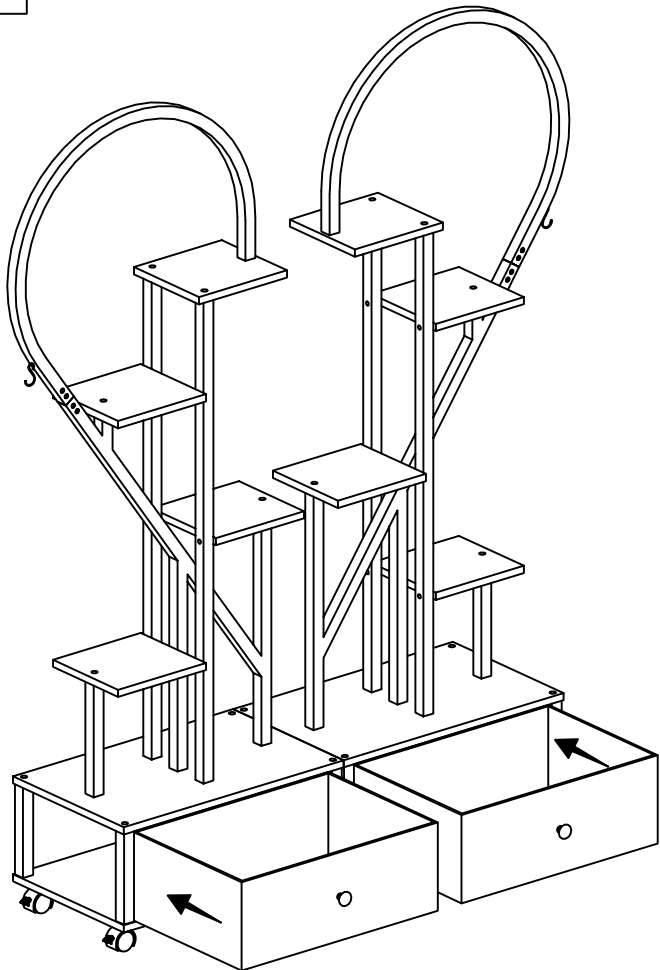
| | |
|---|-----|
| C | x12 |
| D | x12 |

6

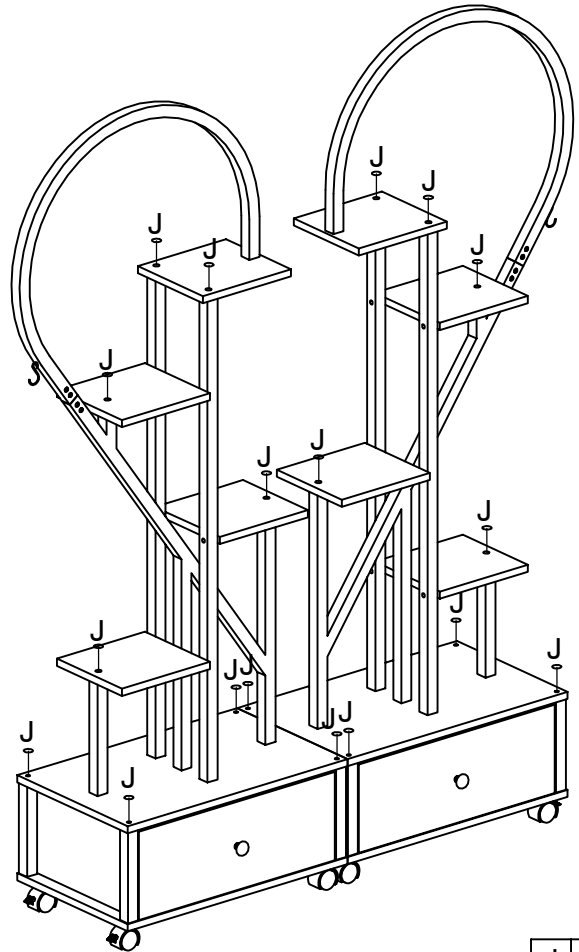


| | |
|---|----|
| A | x2 |
| G | x2 |

7



8



| | |
|---|-----|
| J | x18 |
|---|-----|