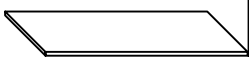
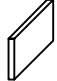

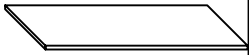
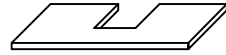

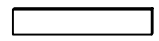
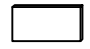

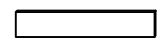
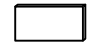
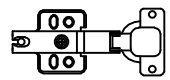
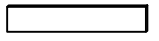
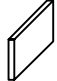

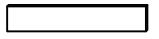


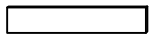
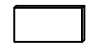


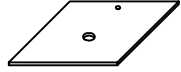
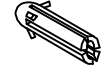
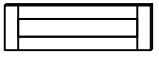
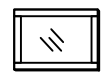
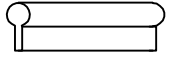
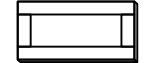
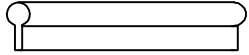
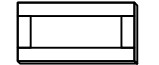
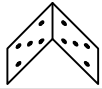
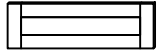

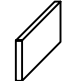

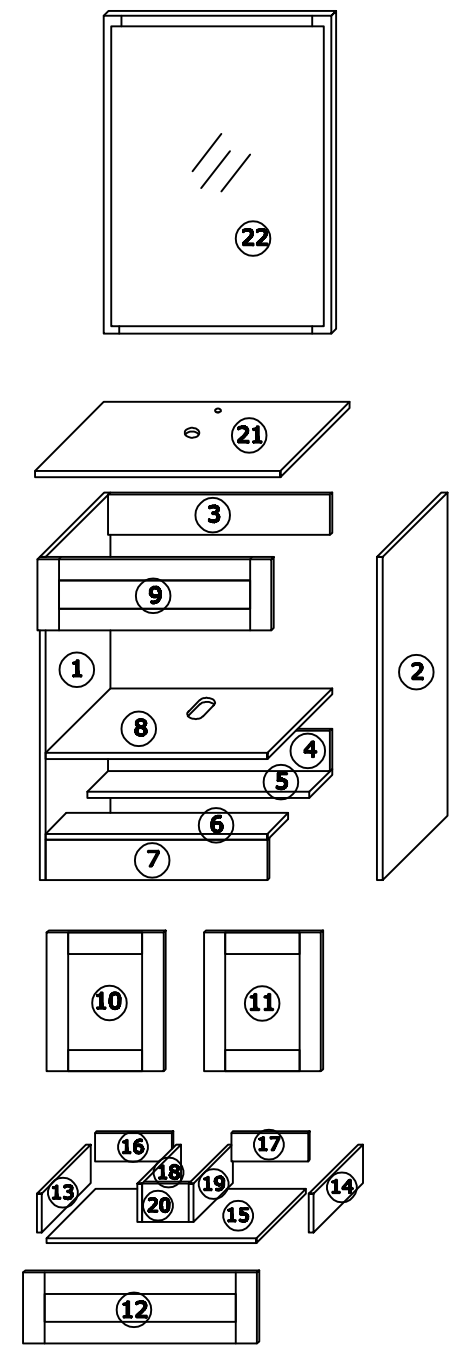
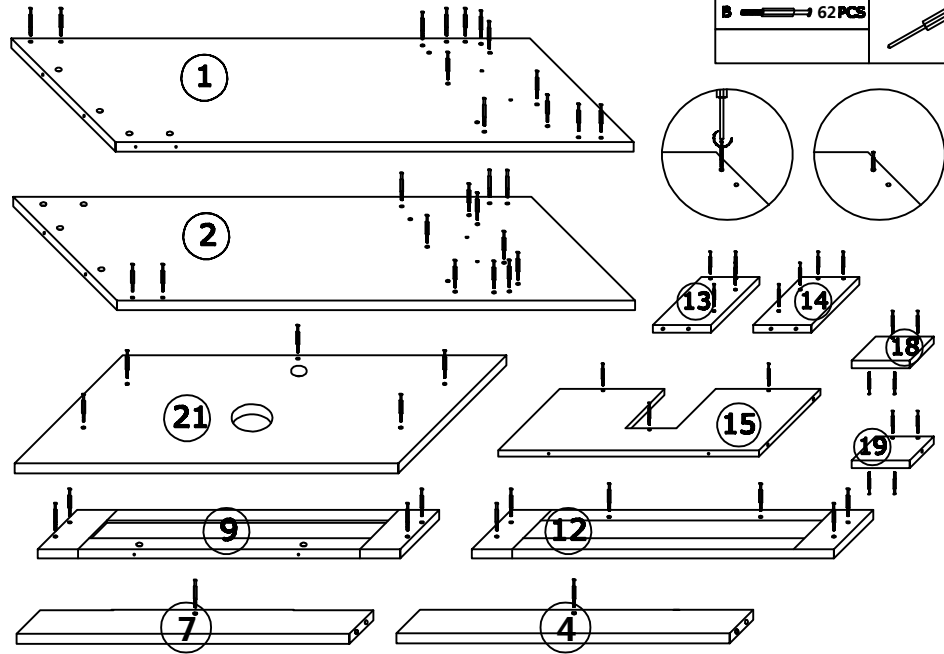




PARTS LIST						HARDWARE LIST		
NO.	DESCRIPTION	QTY	NO.	DESCRIPTION	QTY	NO.	DESCRIPTION	QTY
1		1	14		1	A	 CAM LOCK	62
2		1	15		1	B	 CAM SCREW	62
3		1	16		1	C	 CAM LOCK COVER	62
4		1	17		1	D	 HINGE	4
5		1	18		1	E	 SCREW	46
6		1	19		1	F	 HASCREW ( $\phi 4 \times 20 \text{MM}$ )	6
7		1	20		1	G	 $\phi 3.5 \times 35 \text{MM}$	4
8		1	21		1	H	 $\phi 6 \times 30 \text{MM}$	4
9		1	22		1	I	 SHORT HANDLE	2
10		1				J	 LONG HANDLE	1
11		1				K	 CORNER IRON	2
12		1				L		1
13		1				M		4



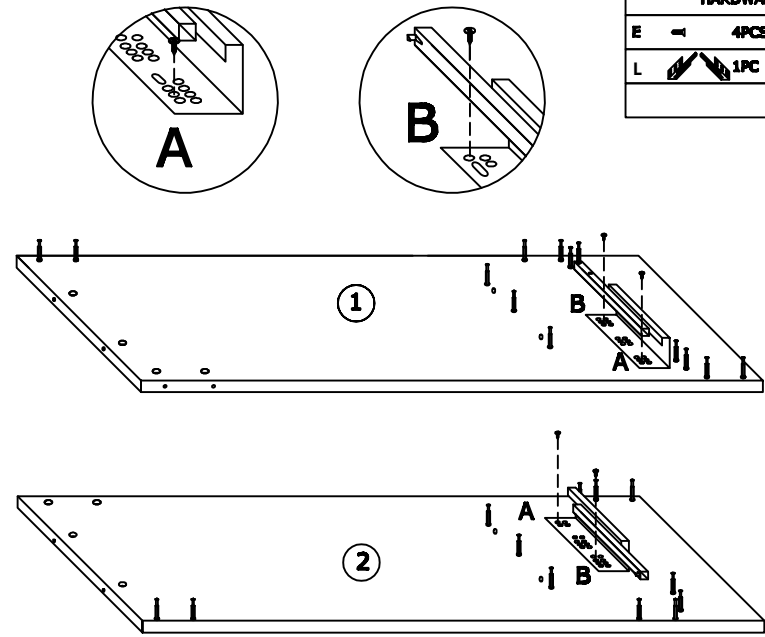
**STEP 1**



**HARDWARE LIST**

B		62 PCS	
---	--	--------	--

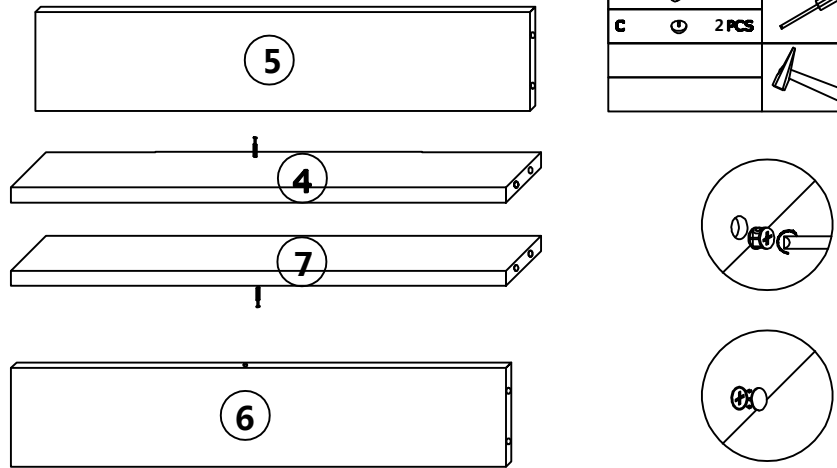
**STEP 2**



**HARDWARE LIST**

E		4 PCS	
L		1 PC	

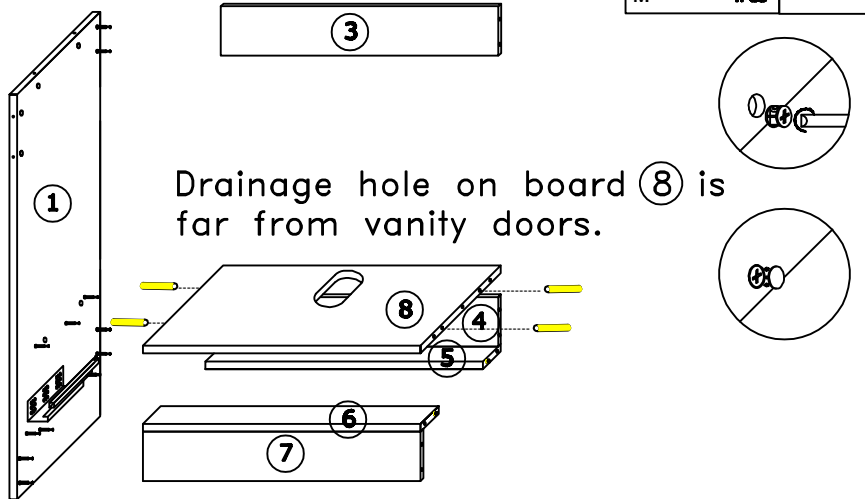
**STEP 3**



**HARDWARE LIST**

A		2 PCS	
C		2 PCS	

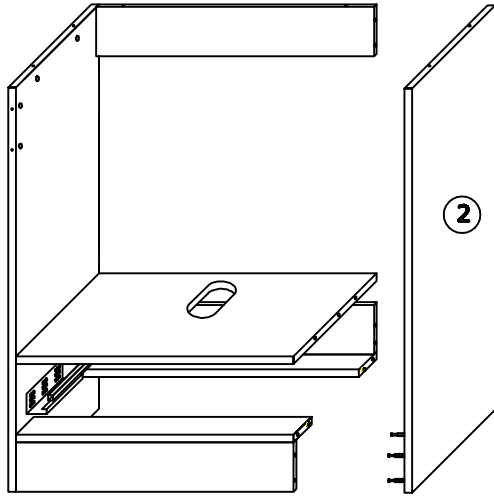
**STEP 4**



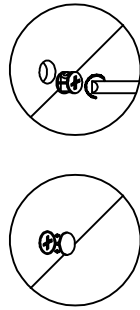
**HARDWARE LIST**

A		13 PCS	
C		13 PCS	
M		4 PCS	

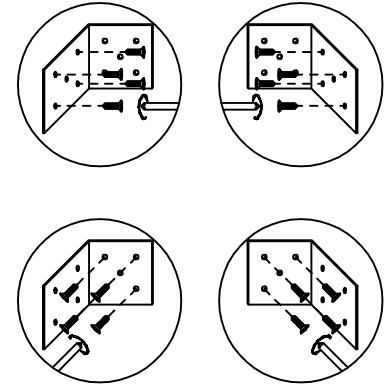
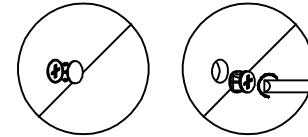
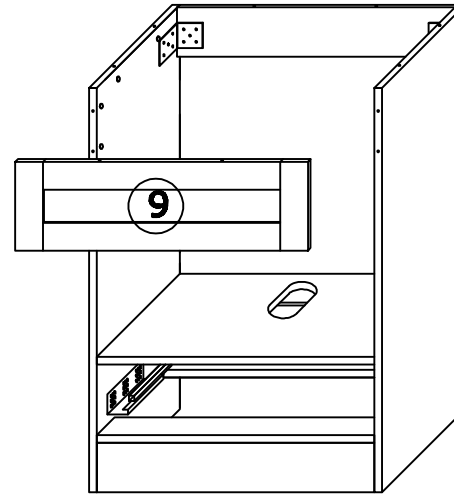
STEP 5



HARDWARE LIST	
A	13 PCS
C	13 PCS

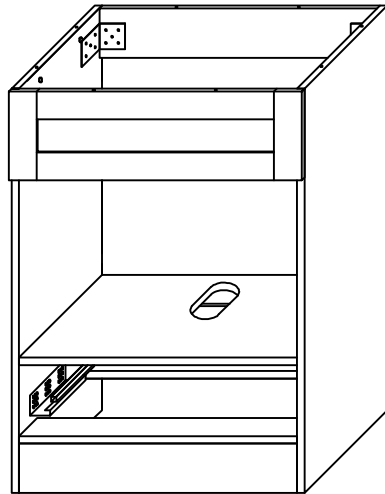


STEP 6

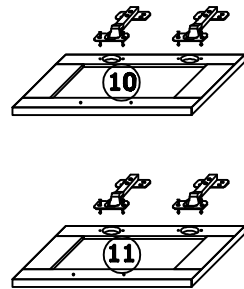
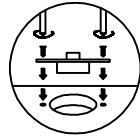


HARDWARE LIST	
K	2PCS
E	16PCS
A	4PCS
C	4PCS

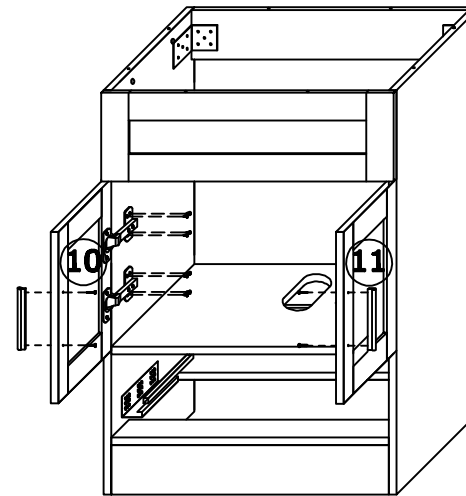
STEP 7



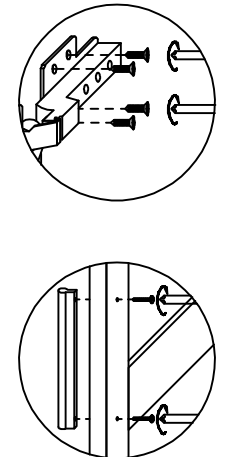
HARDWARE LIST	
E	8PCS
D	4PCS



STEP 8

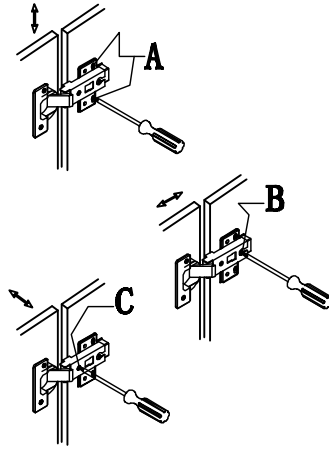
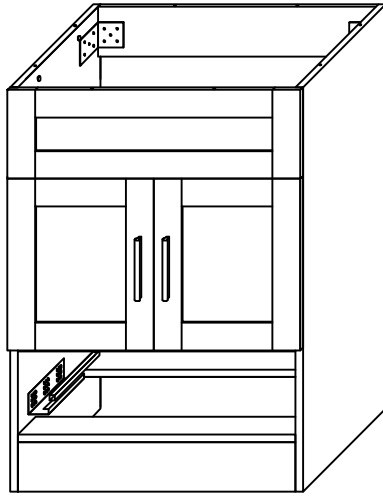


HARDWARE LIST	
E	16PCS
F	4PCS
I	2PCS



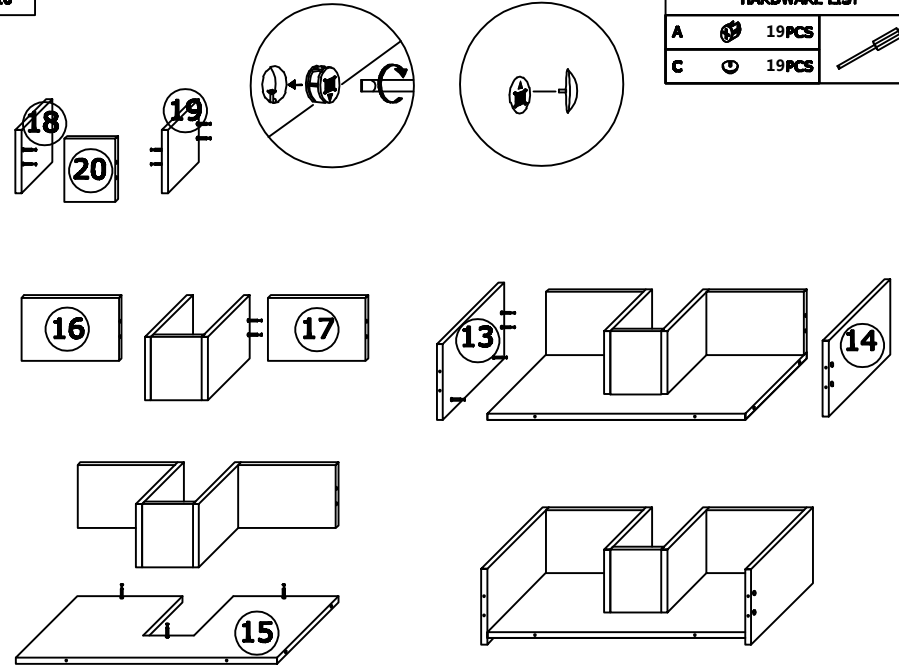
STEP 9

A. Height adjustment;  
B. Depth adjustment;  
C. Side to side adjustment.



HARDWARE LIST

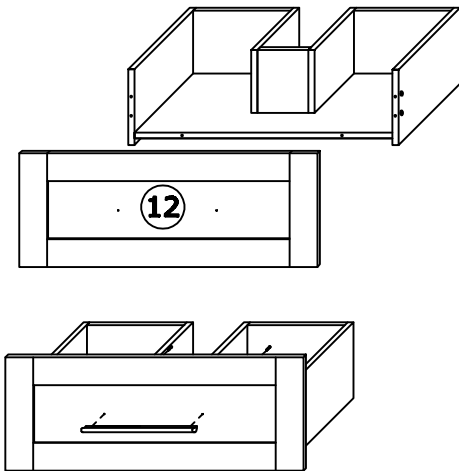

STEP 10



HARDWARE LIST

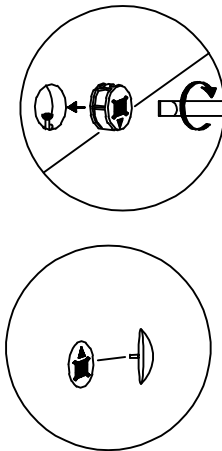
A		19PCS	
C		19PCS	

STEP 11

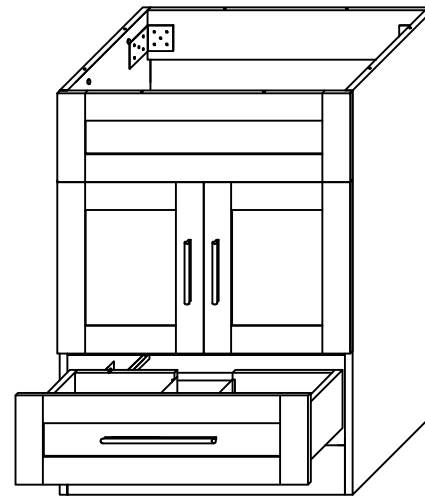


HARDWARE LIST

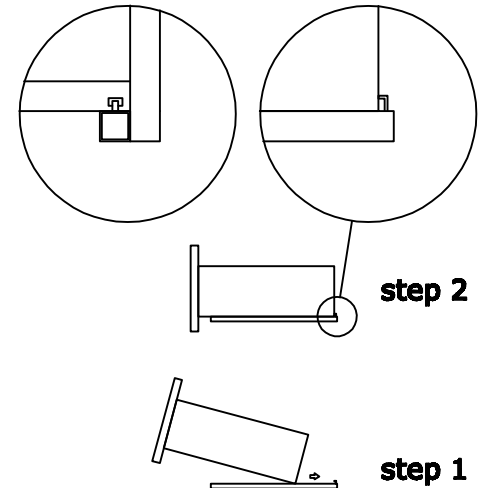
A		6PCS	
C		6PCS	
F		2PCS	
J		1PC	



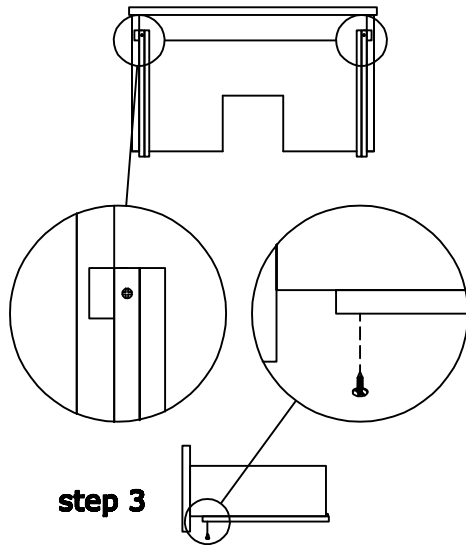
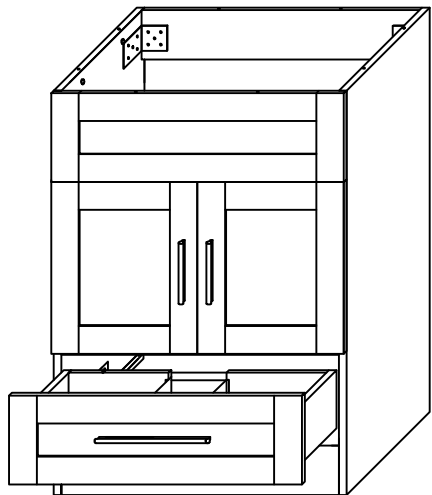
STEP 12



HARDWARE LIST

**STEP 13**



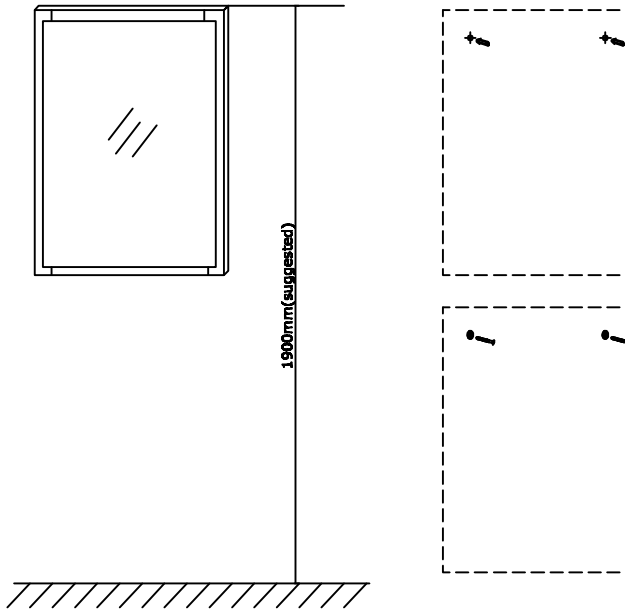
**step 3**

**HARDWARE LIST**

E		2 PCS	
---	--	-------	--

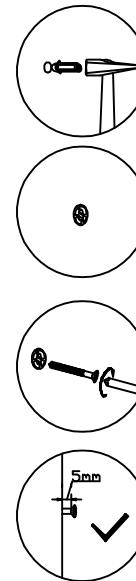
**STEP 14**

Drill holes accordingly

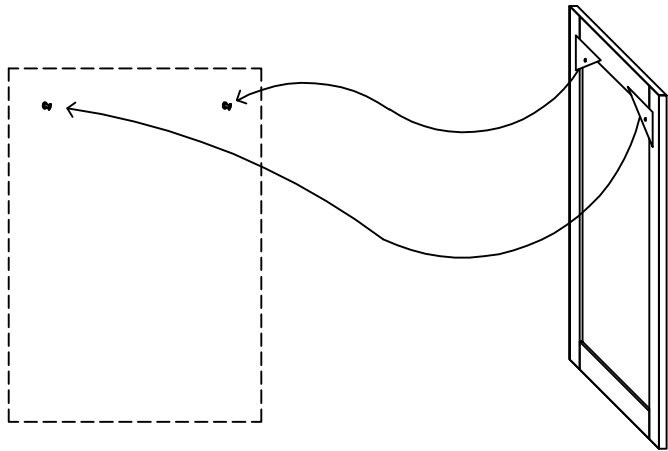


**HARDWARE LIST**

G		2PCS	
H		2PCS	



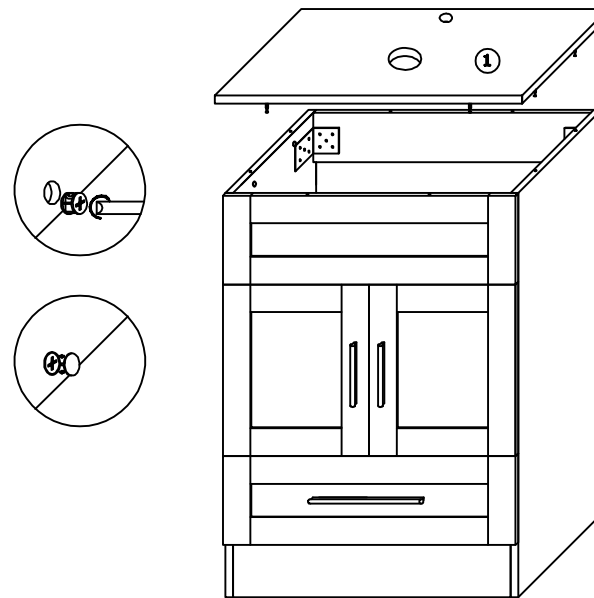
**STEP 15**



**HARDWARE LIST**

--	--	--	--

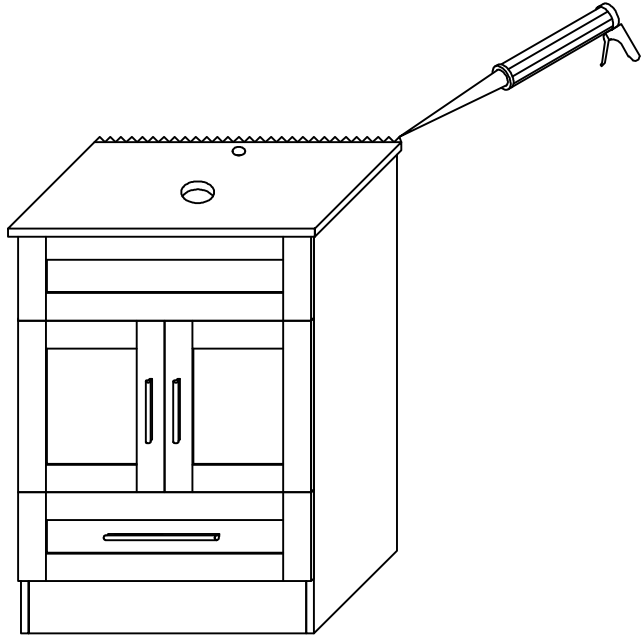
**STEP 16**



**HARDWARE LIST**

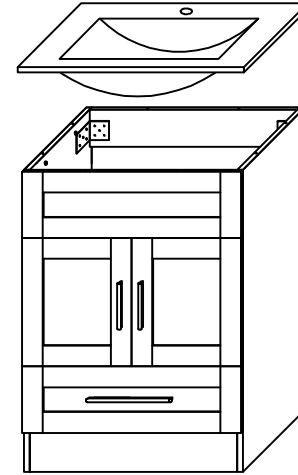
A		6PCS	
C		6PCS	

STEP 17

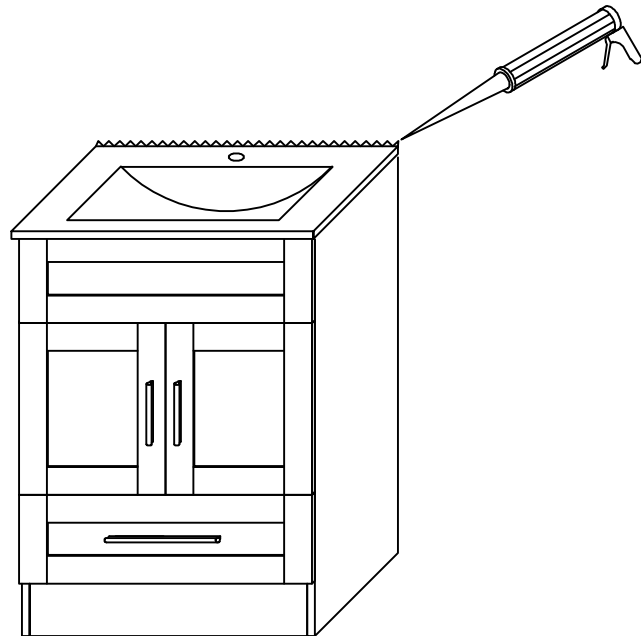


STEP 18

Please follow the instruction below for ceramic vessel suit if the vessel is needed (Vessel sink combo sold separately):  
1. Undo step 16 to remove vanity top board #18.  
2. Please compare with the picture below and follow the instruction manual to assemble ceramic vessel.



STEP 19



STEP 20

