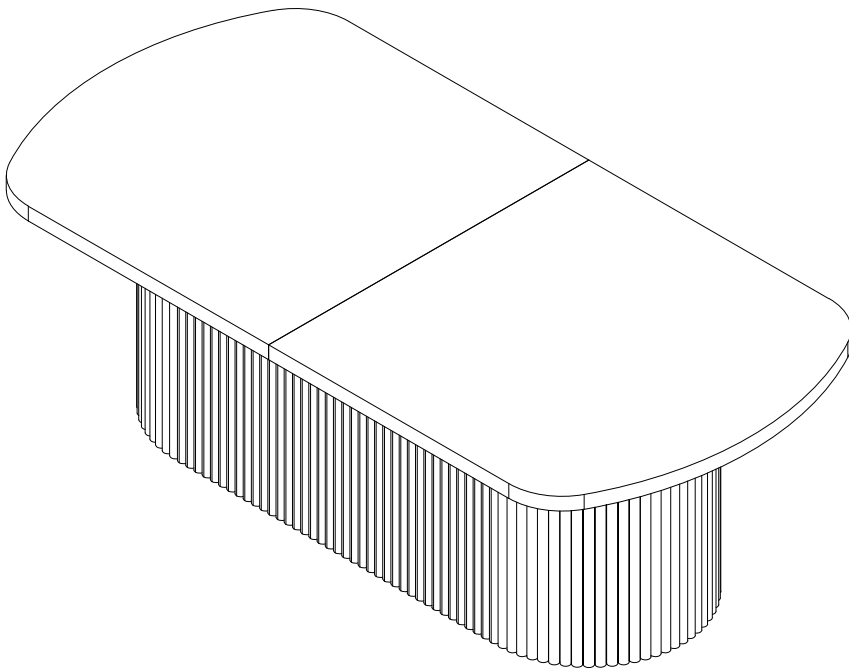


Owner Manual



NOTE:

This brochure contains IMPORTANT safety info. Please read and keep for future reference.

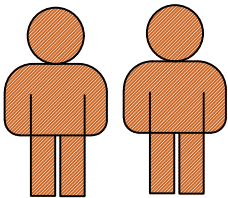
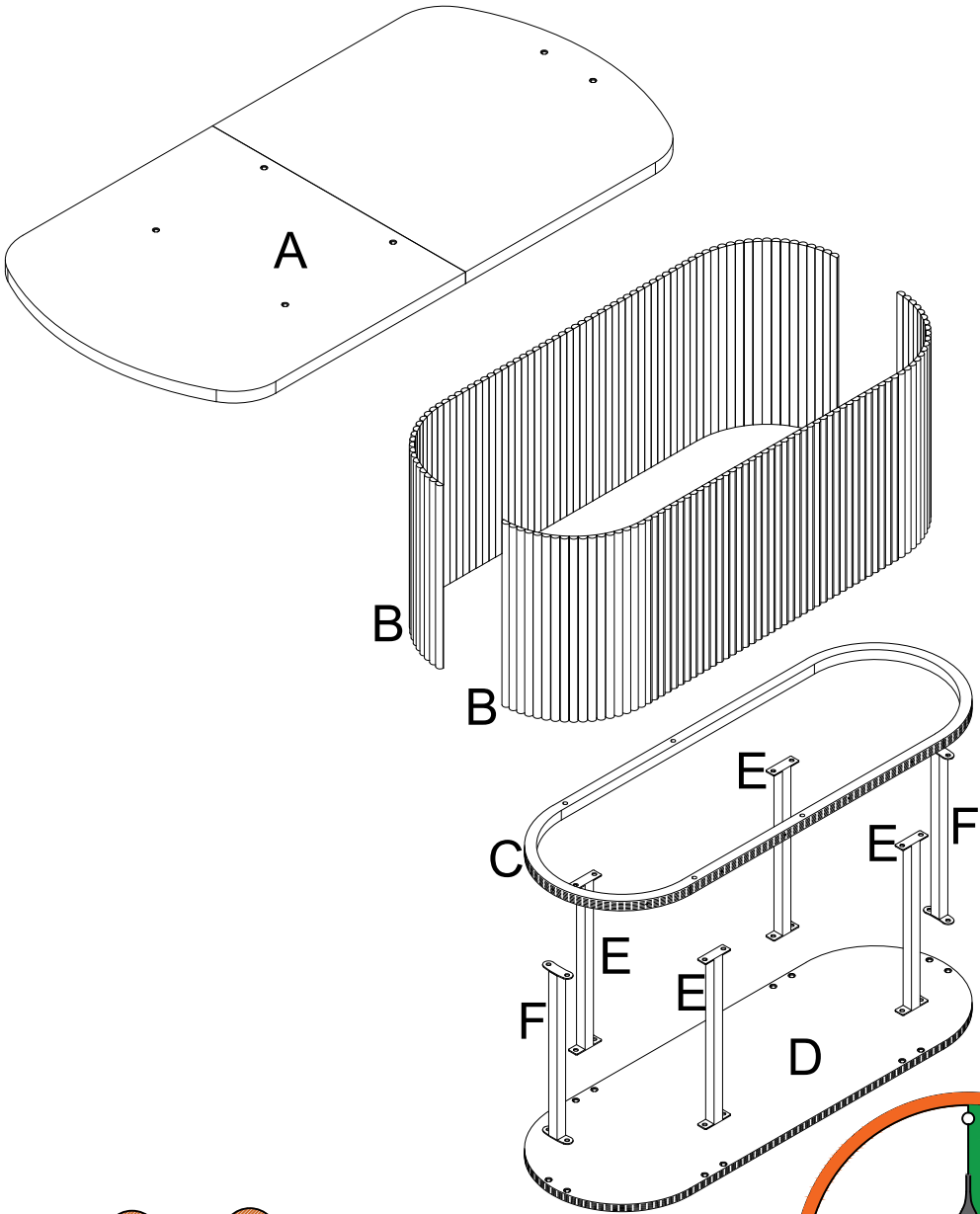
MAINTAINANCE AND WARNING

1. We suggest you spend a short time reading through this leaflet and then follow the simple step-by-step instructions.
2. Carefully check that you have all the parts before beginning assembly.
3. Keep fittings out of children's reach and keep children well away from construction area
4. We suggest you retain these instructions for future reference.
5. Keep furniture away from heat sources.
6. Do not clean furniture with harsh cleaner or polishes.
7. Do not use detergents, solvents, abrasives, spray packs or leather cleaner.
8. Use non-color mild soap with warm water to clean spills (Mix 1:10 soap to water).
9. Do not place furniture under direct sunlight, material will possibly fade over time.
10. Do not use on site dry cleaning machine.
Children should not climb or jump on the furniture.
11. Do not write on furniture that is not protected by a padded barrier.
12. Not for commercial use, only for residential use.

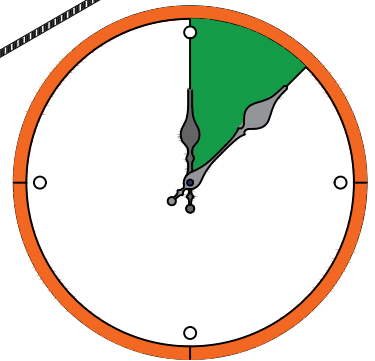


Weight Limitation
150LBS

EXPLOSIVE VIEW

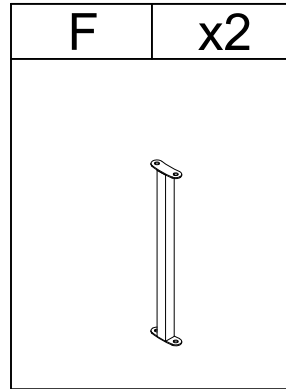
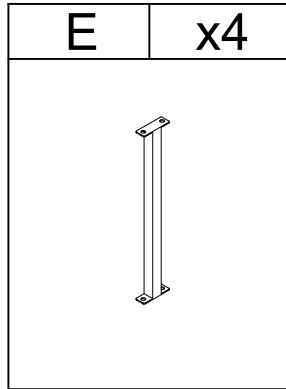
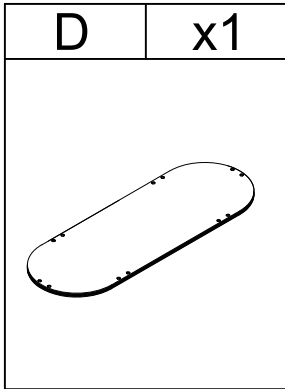
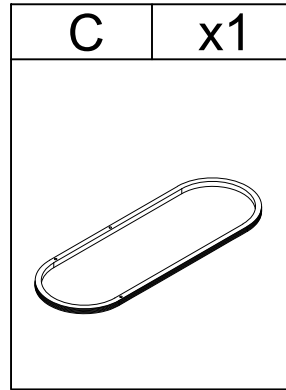
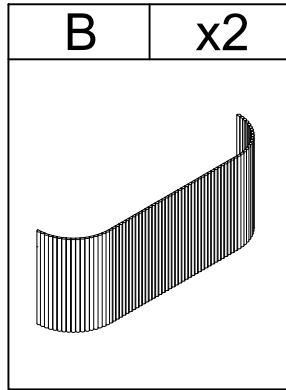
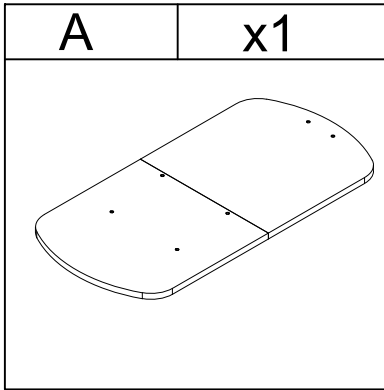


Two persons


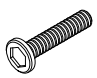

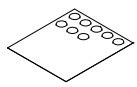




Around 45 min

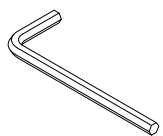
PARTS LIST





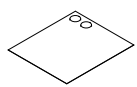
HARDWARE LIST

#1	x26	#2	x4	#3	x2	#4	x8	#5	x1	#6	x6
											
M6x15mm		M6x35mm									

TOOL LIST

#7	x1
	

HARDWARE SPARE LIST

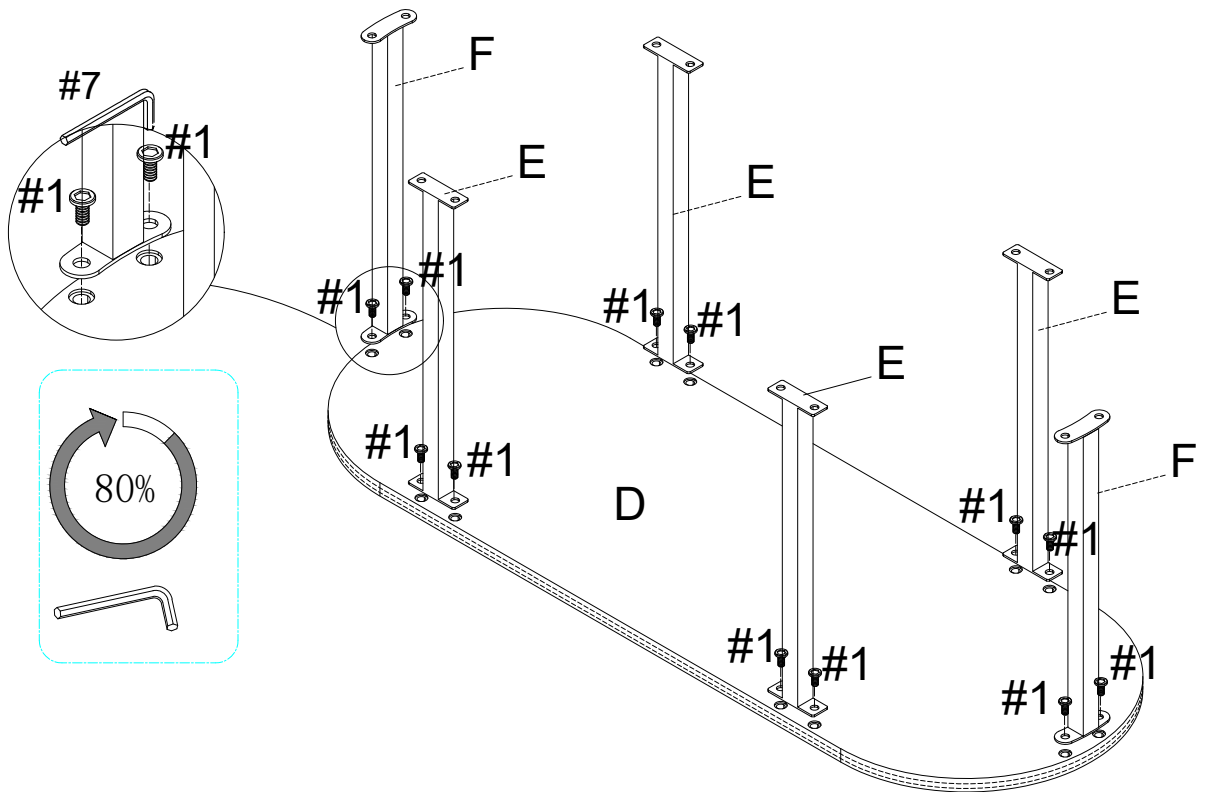
#1	x3	#2	x1	#4	x2
					
M6x15mm		M6x35mm			

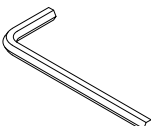

ASSEMBLY INSTRUCTIONS

STEP-1

Use bolt #1 to attach part E & F to Part D

Please make sure that all holes aligned and lock bolt #1 to 80% with allen key #7

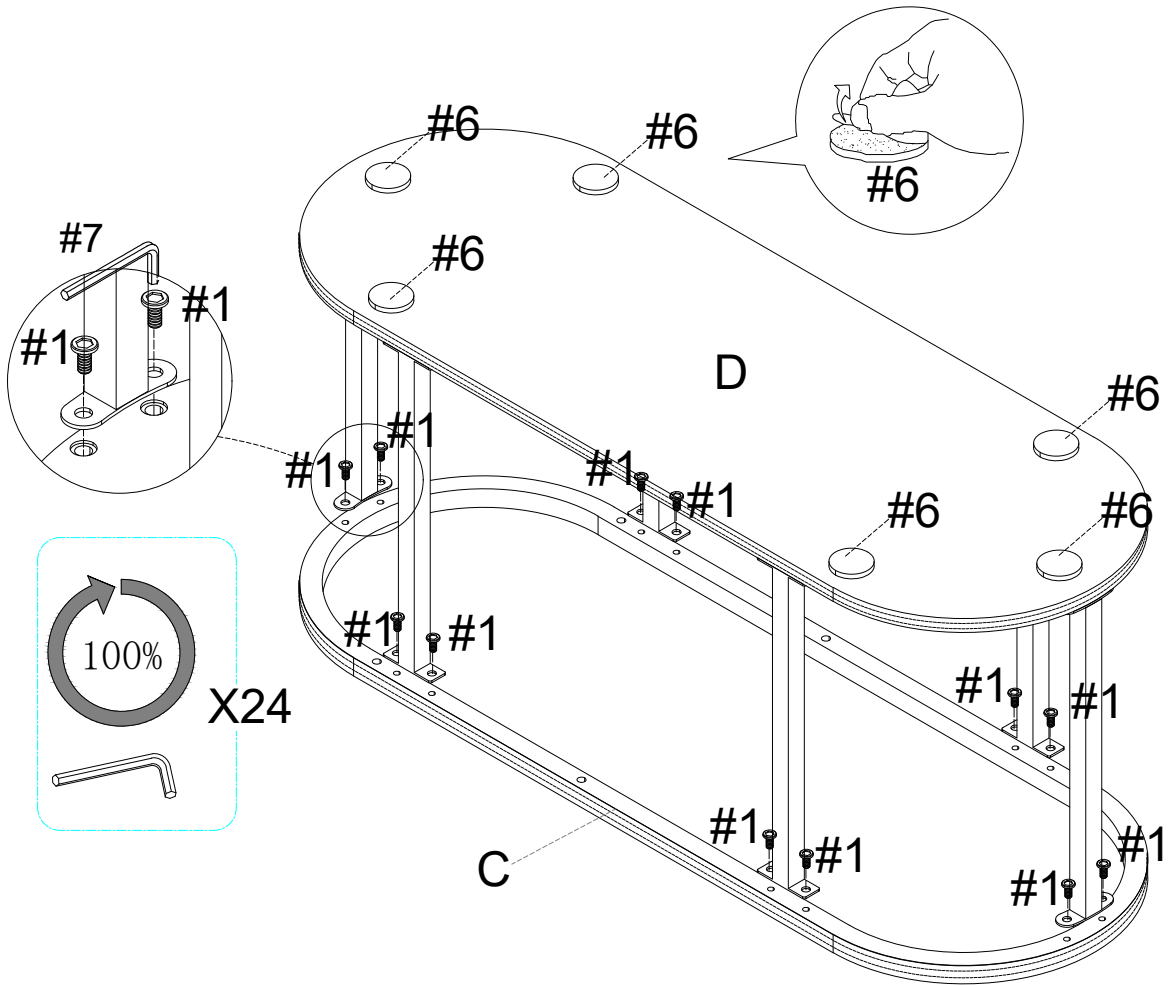


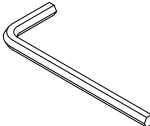


#7	x1	#1	x12
			
		M6x15mm	

ASSEMBLY INSTRUCTIONS

STEP-2

- 1.Align the holes in part C, Use bolt #1 to connect the part D to Part C, then lock all the bolt #1 to 100% with allen key #7
- 2.Stick #6 to part D as picture show

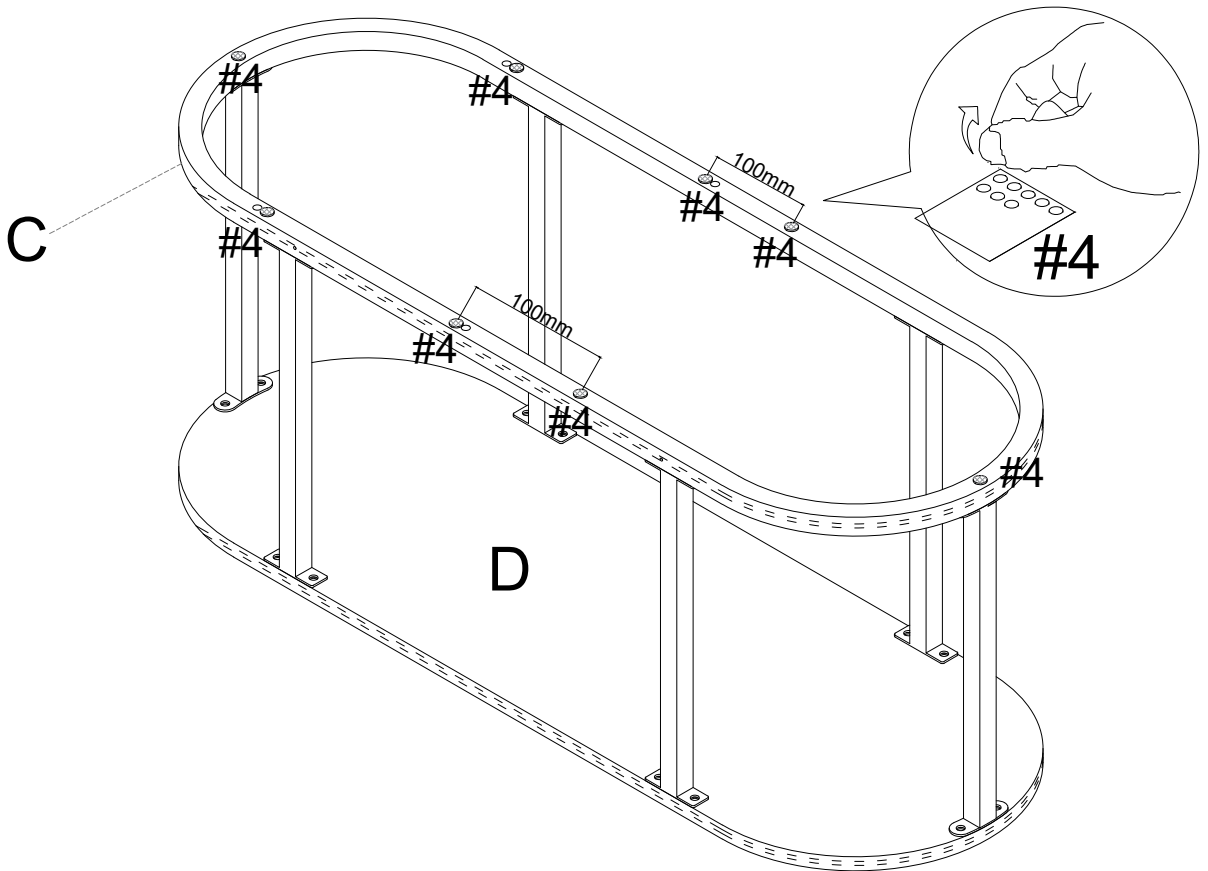


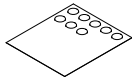
#7	x1	#6	x6	#1	x12
					
				M6x15mm	

ASSEMBLY INSTRUCTIONS

STEP-3

Turn the assembled unit upright.
Stick #4 to the part C as picture show



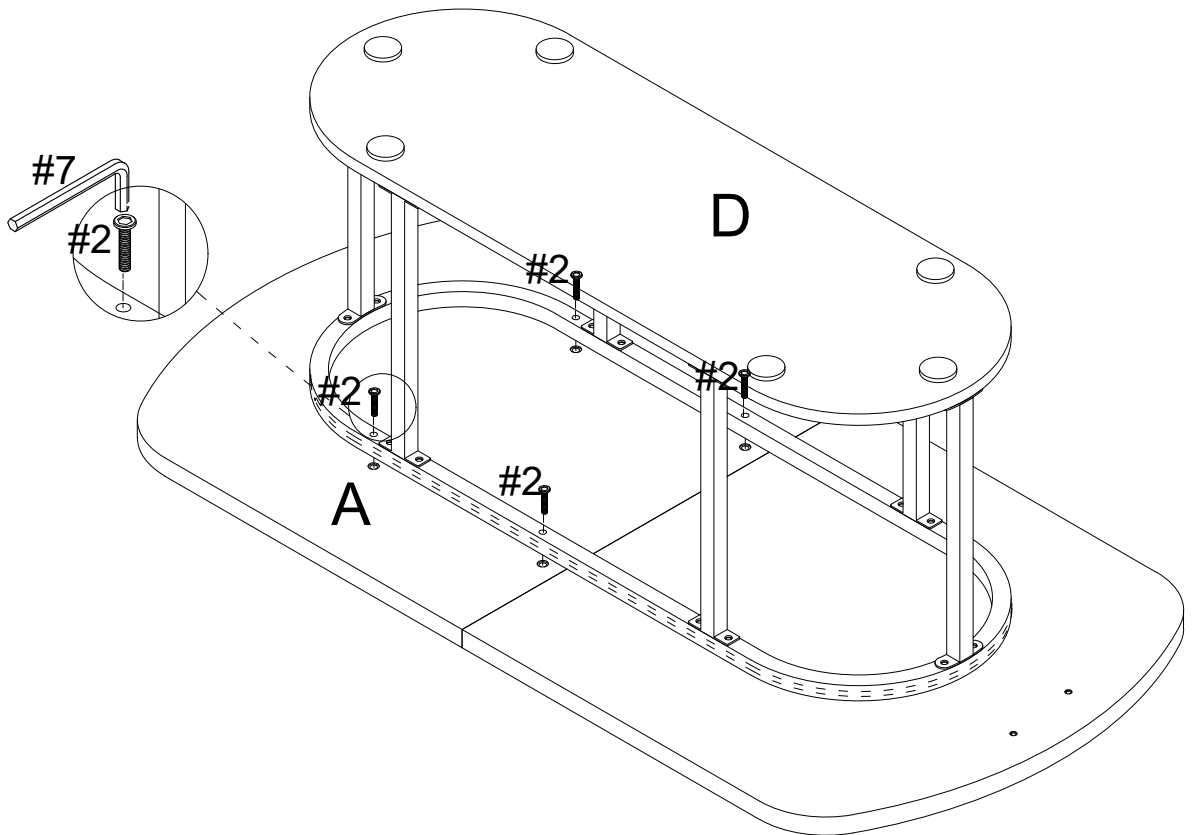
#4	x8
	


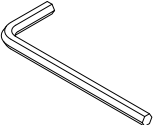
ASSEMBLY INSTRUCTIONS

STEP-4

Turn the assembled unit upright again.

Use the bolt #2 to connect the panel A, Please make sure that all holes aligned then tighten bolt #2 with allen key #7



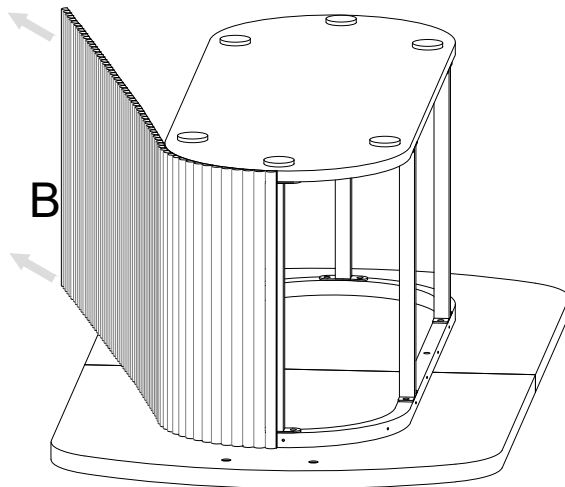
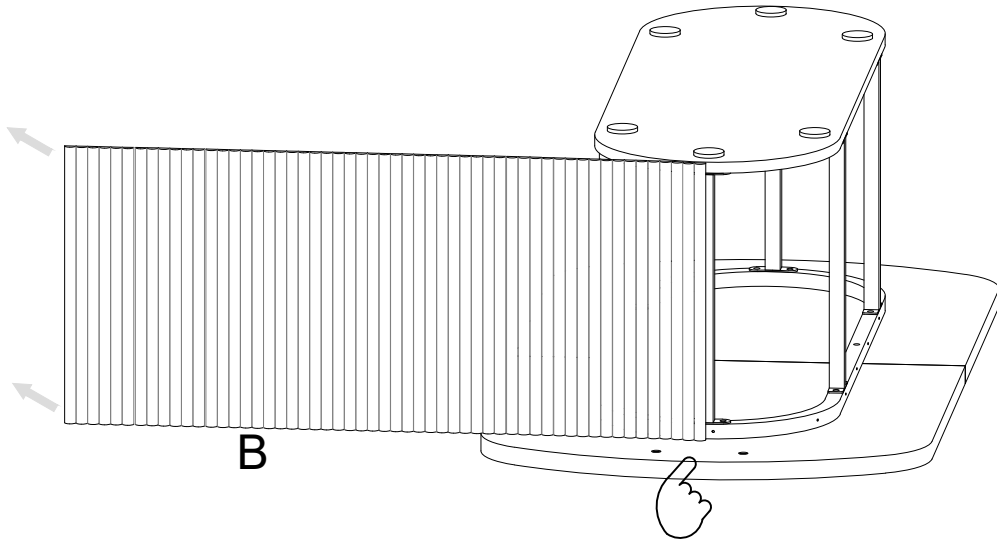
#2	x4	#7	x1
			
M6x35mm			

ASSEMBLY INSTRUCTIONS

STEP-5

Attach the part B to the assembled unit.

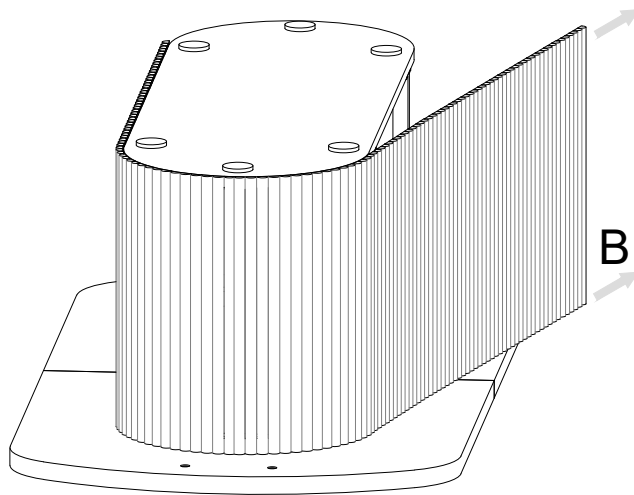
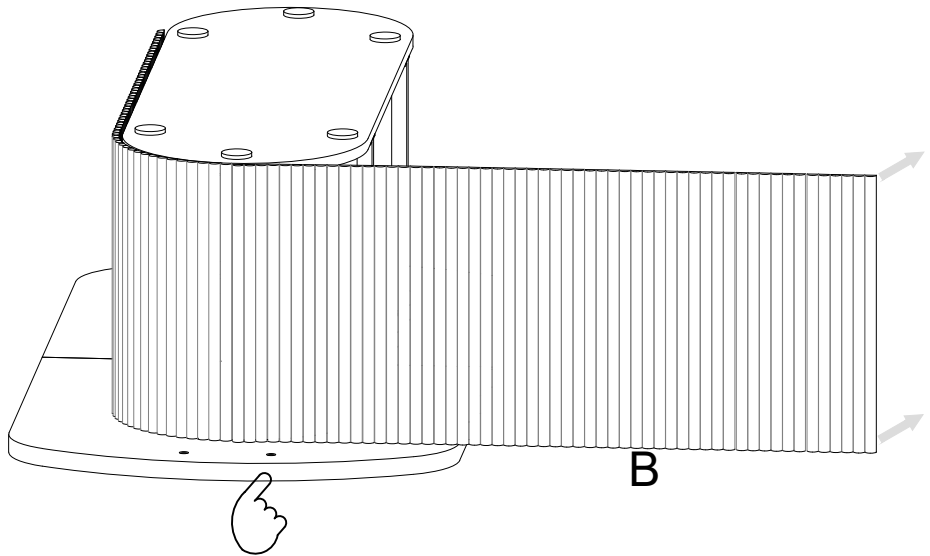
Please make sure that the part B starts from the half of the tube F



ASSEMBLY INSTRUCTIONS

STEP-6

Keep close to the assembled part B, attach another part B to remaining part as picture show

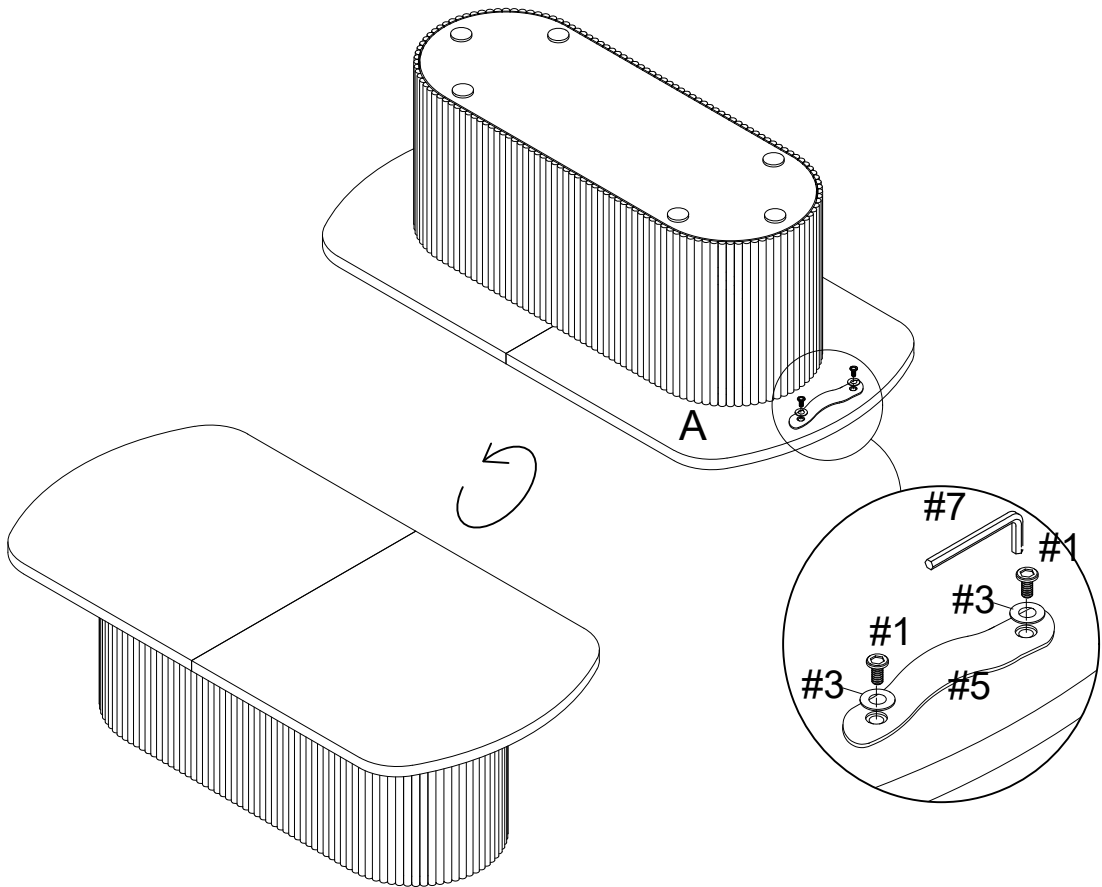


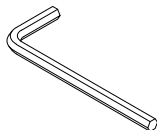



ASSEMBLY INSTRUCTIONS

STEP-7

Use bolt #1 and washer #3 to attach the handle #5 to panel A with allen key #7

Finally, turn the assembled unit upright



#7	x1	#5	x1	#1	x2	#3	x2
							
				M6x15mm			

WARRANTY

1. We strive to offer high-quality products, and we also try our best to satisfy each and every customer that orders from us with product or service as needed.
2. We provide 30 days warranty starting from the time you receive the item. Each customer must provide a record of their order such as the order number, or item receipt for any items that are out of the warranty period you may also still receive.
3. Replacement parts by purchasing them with our company if they are available.

Appreciate your purchasing from us.
Pop up your life by our furniture piece!