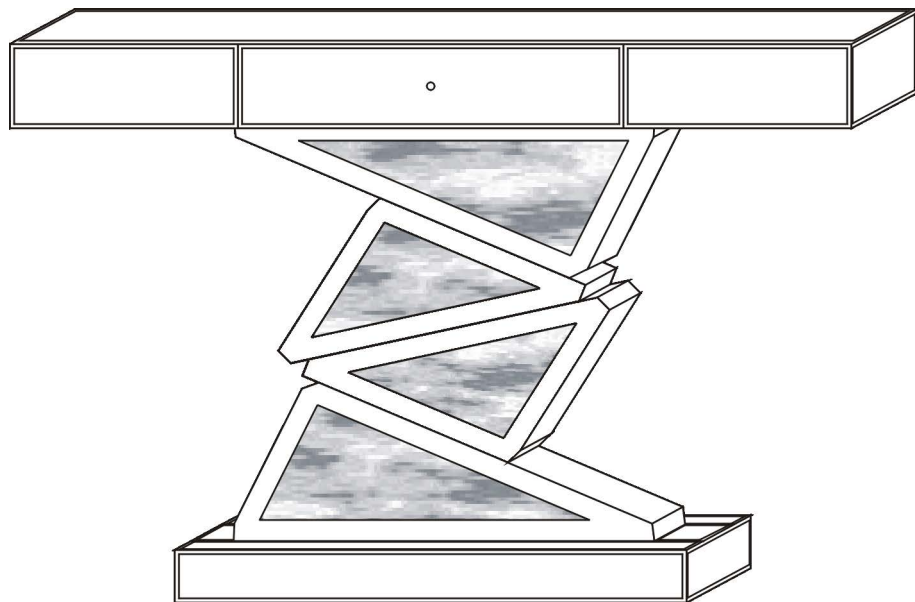
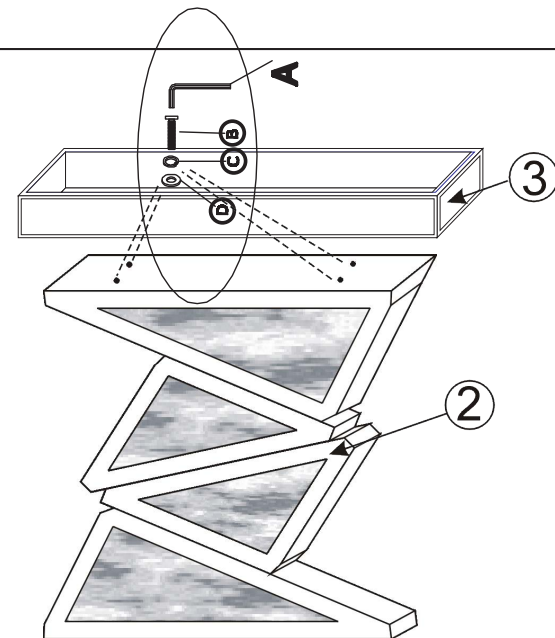


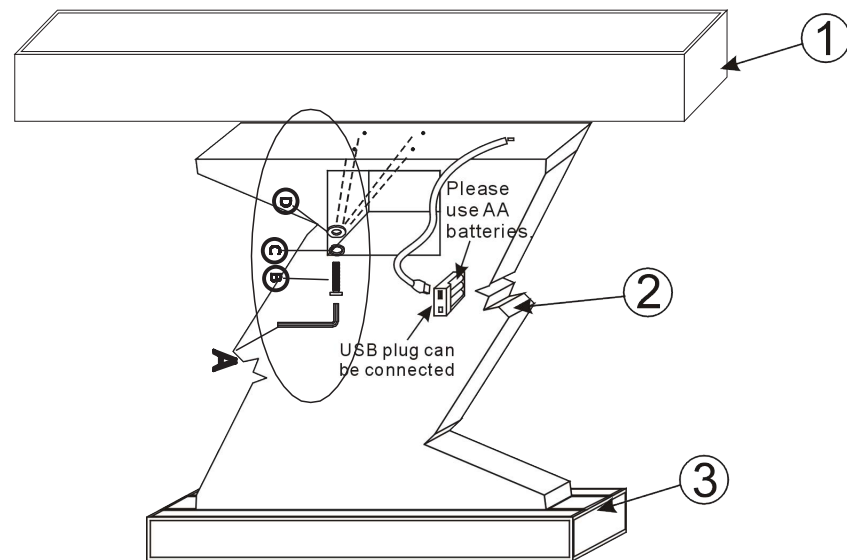
# ASSEMBLY INSTRUCTION :



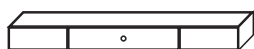
Step 1



Step 2



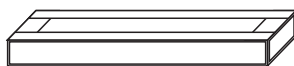
## ASSEMBLY COMPONENTS



① \*1



② \*1



③ \*1



A\*1



B\*8



C\*8



D\*8



E\*1



F\*1