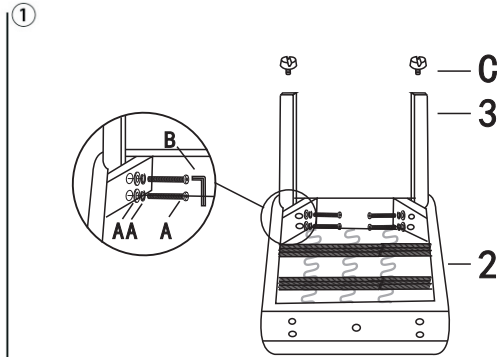
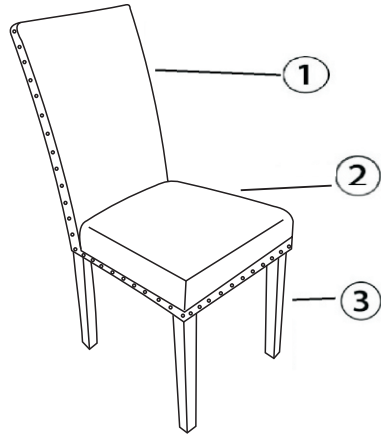


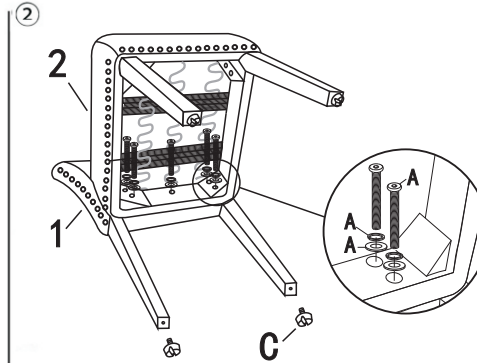
ASSEMBLY INSTRUCTION

CUSTOMER SERVICE :

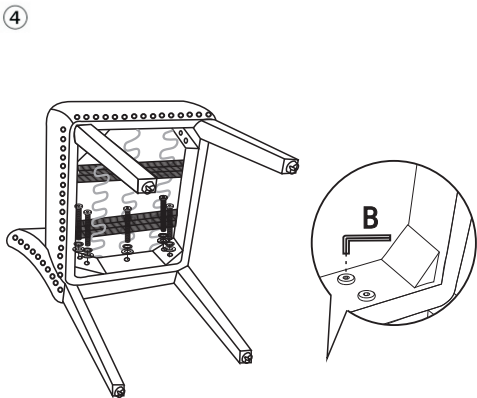
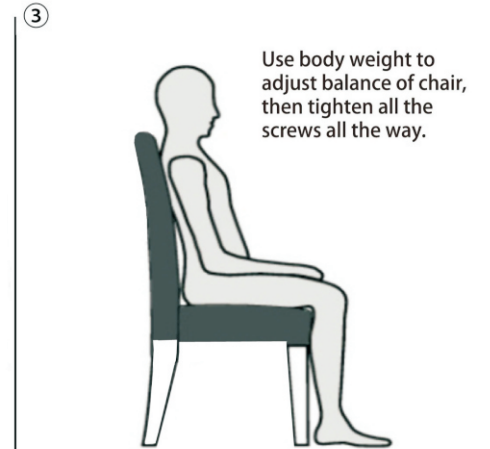
if you are missing parts or have any questions about this product, contact our customer service representative first!



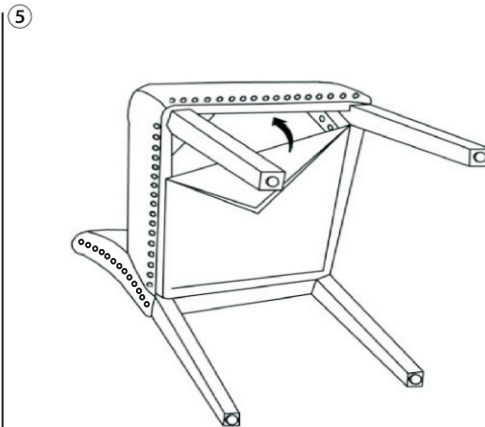
Insert the screws in the holes, tighten the screws, but not too tight, 90% is OK.



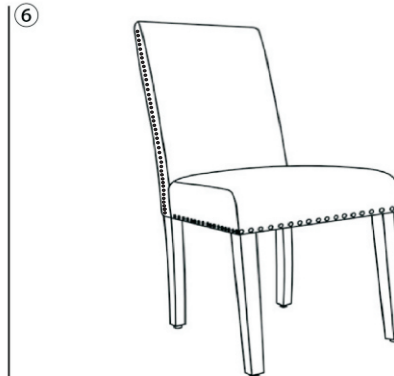
Insert the screws in the holes, tighten the screws, but not too tight, 90% is OK.



Tight all the screws to 100%



Stick the black part on the seat



A few days after initial assembly, the product may acclimate to its new environment. Please ensure all screws are still securely tightened.

HARDWARE LIST	CODE	PARTS	QTY.
	1	BACK	
2	SEAT		1
3	FRONT LEG		2

HARDWARE LIST	CODE	PARTS	QTY.
	A	M8x55MM	
B	ALLEN KEY		1
C	ADJUSTMENT FOOTNAIL		4

* Tool kit is in the seat *