

# WHITE SKY™

## 2nd Gen Commercial Downlight



Beyond LED's WHITE SKY 2nd Gen Commercial-Grade retrofit downlights are the most innovative and feature rich product of its kind. This new 2023 model offers CCT adjustable 2700K / 3K / 3500K / 4K / 5K and wattage adjustable. The LED Commercial Down Light WHITE SKY 2nd Gen produces lumens up to 4000Lm, which is perfect for ceilings up to 16ft height. WHITE SKY 2nd Gen is perfect for retrofit or new construction.

### Product Features

- Up to 110 lumens per watt
- Wattage Adjustable
- CCT Adjustable 2700K / 3K / 3500K / 4K / 5K
- Available in 4", 6" and 8"
- Integral heat sink
- Input Voltage 120-347Vac
- 0-10V Dimming capability
- ETL & ES Listed
- 5 Years Warranty

# WHITE SKY™

## 2nd Gen Commercial Downlight



SKU #	Model #	Wattage Adj.	Lumens	CCT Adj.	Size	Input Voltage	Dimming	Certifications
156668	FXF01001-A-A001	9W/13W/18W	2110Lm	2700K / 3K / 3500K / 4K / 5K	4"	120-347Vac	0-10V	ETL & ES
156644	FXF01002-A-A001	13W/19W/27W	3000Lm	2700K / 3K / 3500K / 4K / 5K	6"	120-347Vac	0-10V	ETL & ES
156669	FXF01003-A-A001	18W/27W/36W	4000Lm	2700K / 3K / 3500K / 4K / 5K	8"	120-347Vac	0-10V	ETL & ES

### SKU #. 156668 / 4" Specifications

Parameter	Description	Value
General Performance	Model #	FXF01001-A-A001
	Wattage Adjustable	9W / 13W / 18W
	Lumen	2110LM
	Lumen Efficacy	Up to 110LM/W
	Color Temperature	2700K / 3000K / 3500K / 4000K / 5000K
	CRI (Ra)	>80
	Beam Angle	120° Degree
	Diffuser Type	PC Lens
Electrical	Input Voltage	120-347Vac
	Frequency	50/60Hz
	Dimming	0-10V Dimming
	Power Factor	≥0.9
	Driver Surge Protection	N/A
	Flicker Percent	<30%
Physical	Operating Temperature	-20°C to 45°C
	Operating Humidity	N/A
	Storage Temperature	-25°C to 40°C
	Storage Humidity	N/A
	LED Brand	Seoul / Everlight
	LED Type	LED Built-in
	LED QTY	
	Housing	AL
Housing Color	White	
Qualification	IP Rating	Damp Location
	Warranty	5 Years Warranty

# WHITE SKY™

## 2nd Gen Commercial Downlight

SKU #. 156644 / 6"

### Specifications

Parameter	Description	Value
General Performance	Model #	FXF01002-A-A001
	Wattage Adjustable	13W / 19W / 27W
	Lumen	3000M
	Lumen Efficacy	Up to 110LM/W
	Color Temperature	2700K / 3000K / 3500K / 4000K / 5000K
	CRI (Ra)	>80
	Beam Angle	110° Degree
	Diffuser Type	PC Lens
Electrical	Input Voltage	120-347Vac
	Frequency	50/60Hz
	Dimming	0-10V Dimming
	Power Factor	≥0.9
	Driver Surge Protection	N/A
	Flicker Percent	<30%
Physical	Operating Temperature	-20°C to 40°C
	Operating Humidity	N/A
	Storage Temperature	-25°C to 40°C
	Storage Humidity	N/A
	LED Brand	Seoul / Everlight
	LED Type	LED Built-in
	LED QTY	64 Pcs
	Housing	AL
	Housing Color	White
Qualification	IP Rating	Damp Location
	Warranty	5 Years Warranty

# WHITE SKY™

## 2nd Gen Commercial Downlight



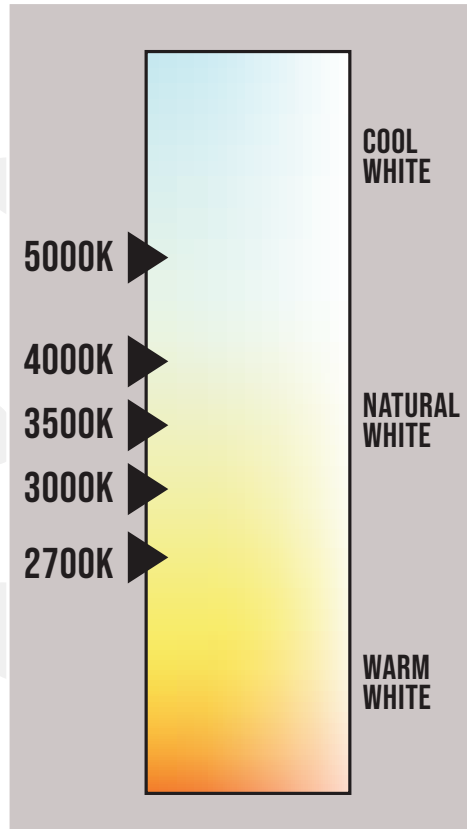
### SKU #. 156669 / 8" Specifications

Parameter	Description	Value
General Performance	Model #	FXF01003-A-A001
	Wattage Adjustable	18W / 27W / 36W
	Lumen	4000M
	Lumen Efficacy	Up to 110LM/W
	Color Temperature	2700K / 3K / 3500K / 4K / 5K
	CRI (Ra)	>80
	Beam Angle	110° Degree
	Diffuser Type	PC Lens
Electrical	Input Voltage	120-347Vac
	Frequency	50/60Hz
	Dimming	0-10V Dimming
	Power Factor	≥0.9
	Driver Surge Protection	N/A
	Flicker Percent	<30%
Physical	Operating Temperature	-20°C to 45°C
	Operating Humidity	N/A
	Storage Temperature	-25°C to 40°C
	Storage Humidity	N/A
	LED Brand	Seoul / Everlight
	LED Type	LED Built-in
	LED QTY	
	Housing	AL
	Housing Color	White
Qualification	IP Rating	Damp Location
	Warranty	5 Years Warranty

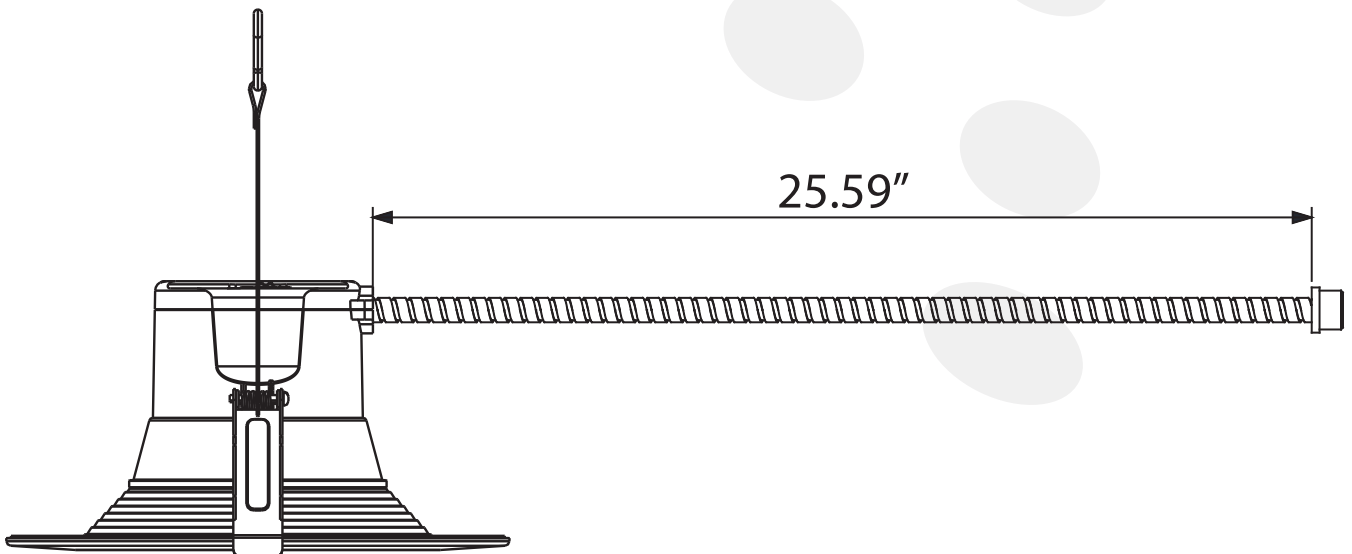
# WHITE SKY™

2nd Gen  
Commercial Downlight

## Correlated Color Temperature (CCT)



## Dimensions

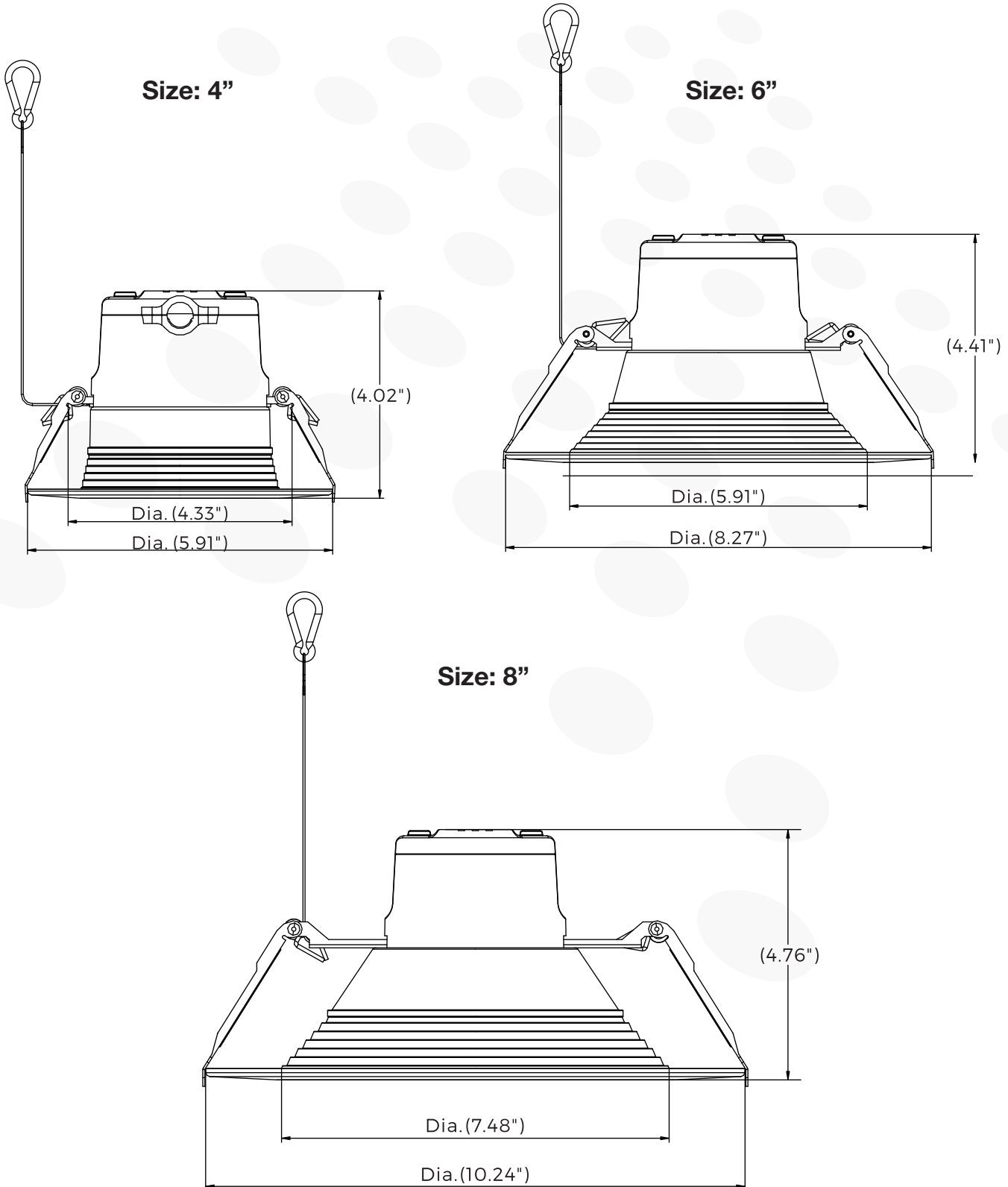


# WHITE SKY™

## 2nd Gen Commercial Downlight



### Dimensions



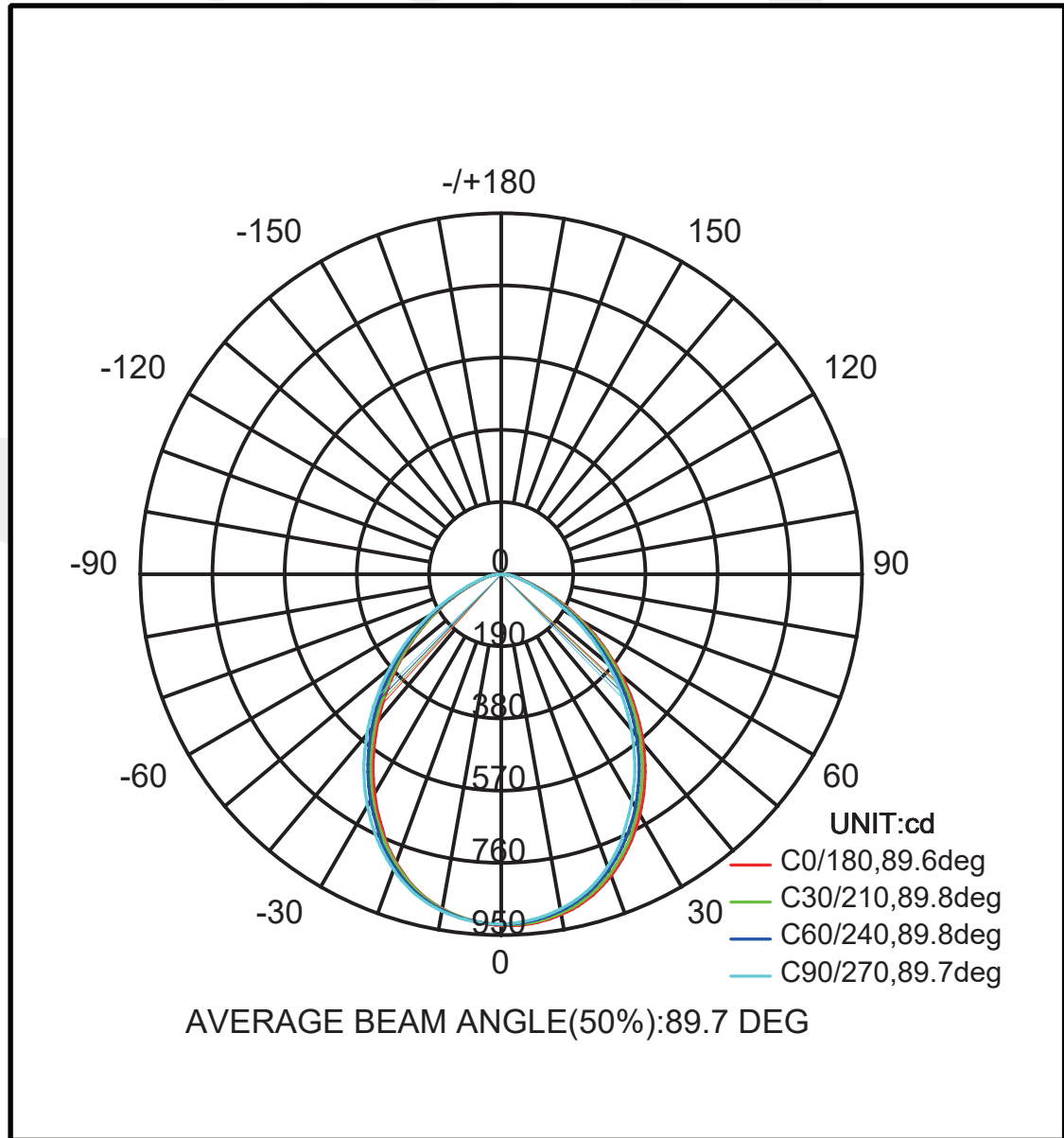


# WHITE SKY™

## 2nd Gen Commercial Downlight

SKU: 156668 - 4"

Photometric Data



LED COMMERCIAL DOWNLIGHTS

# WHITE SKY™

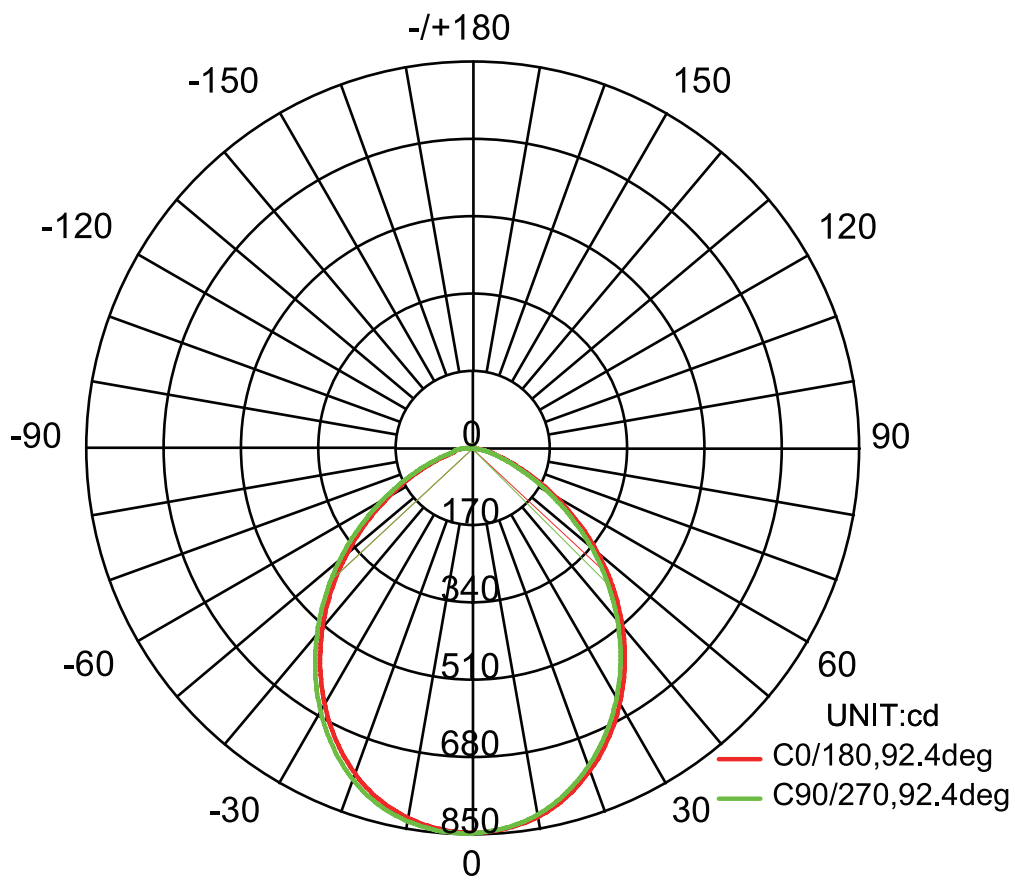
## 2nd Gen Commercial Downlight



SKU: 156644 - 6"

Photometric Data

### LUMINOUS INTENSITY DISTRIBUTION DIAGRAM



AVERAGE BEAM ANGLE(50%):92.4 DEG

LED COMMERCIAL DOWNLIGHTS

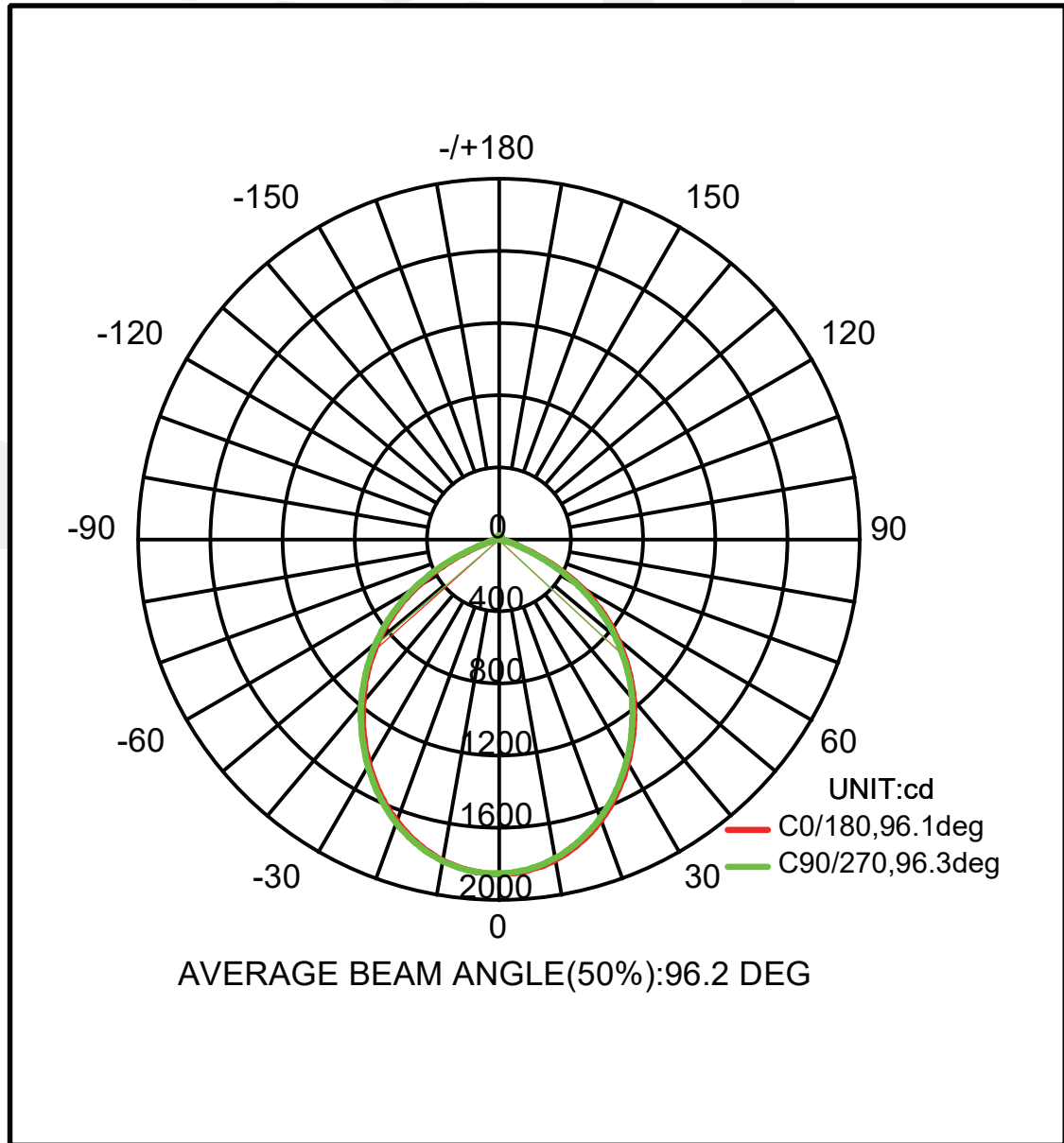


# WHITE SKY™

## 2nd Gen Commercial Downlight

SKU: 156669 - 8"

Photometric Data



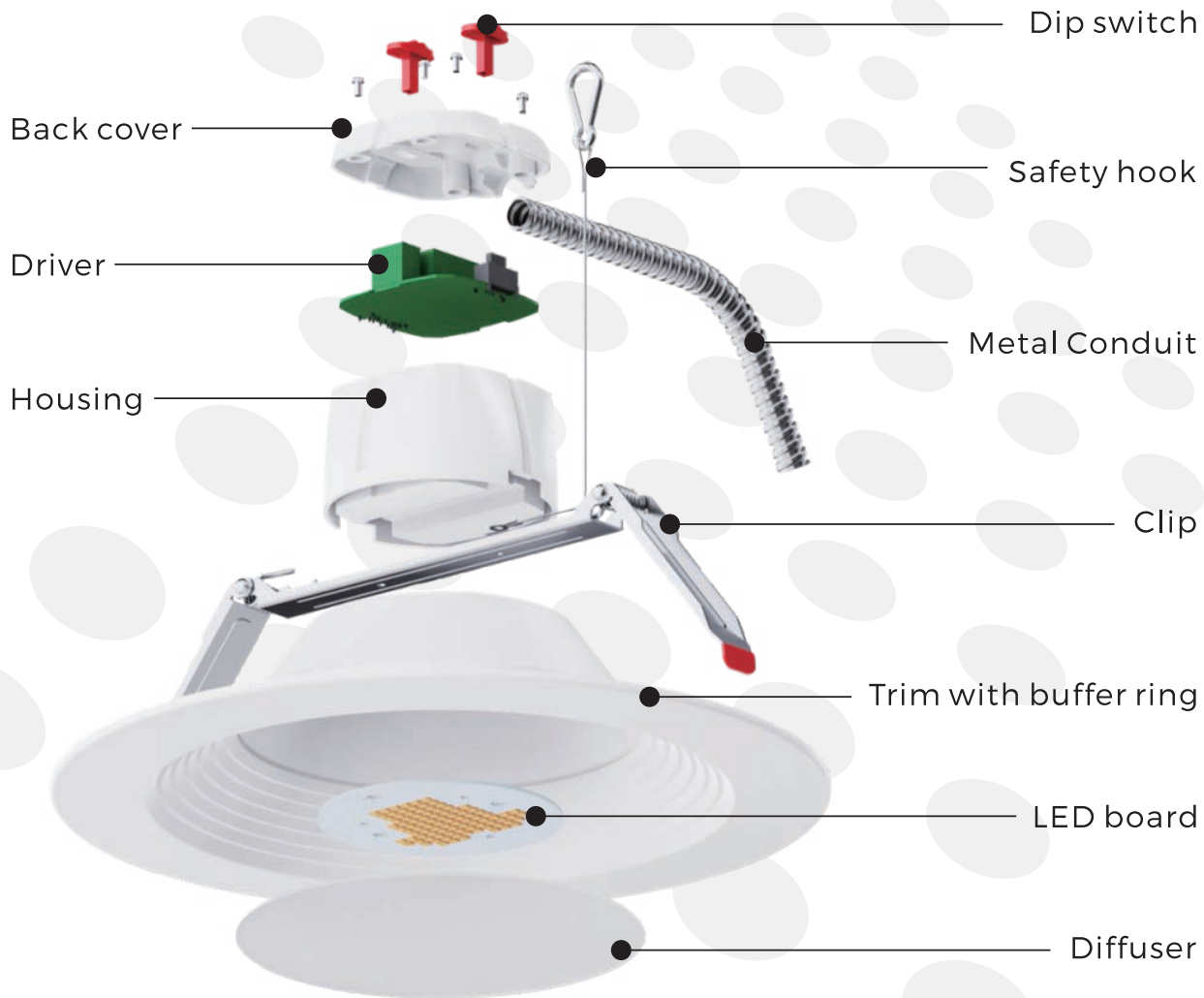
LED COMMERCIAL DOWNLIGHTS



# WHITE SKY™

## 2nd Gen Commercial Downlight



### Product Structure



 <b>3POWER</b>	<b>Multiple Power Selectable</b> Easily accessible switch allows selection between 3 wattages depending on output requirements.
 <b>5CCT</b>	<b>Multiple CCT Selectable</b> Easily accessible switch allows selection of 5 CCT to suit a variety of environments.



# WHITE SKY™

## 2nd Gen Commercial Downlight

### Installation

#### SAFETY PRECAUTIONS:

- READ ALL INSTRUCTIONS
- WARNING - RISK OF FIRE OR ELECTRIC SHOCK. INSTALLATION REQUIRES KNOWLEDGE OF LUMINAIRE ELECTRICAL SYSTEMS. IF NOT QUALIFIED, DO NOT ATTEMPT INSTALLATION AND CONTACT A QUALIFIED ELECTRICIAN.
- WARNING - THIS PRODUCT MUST BE INSTALLED IN ACCORDANCE WITH APPLICABLE INSTALLATION CODES BY A PERSON FAMILIAR WITH THE CONSTRUCTION AND OPERATION OF THE PRODUCT AND THE HAZARDS INVOLVED.
- WARNING - INSTALL THIS KIT IN ACCORDANCE WITH THE INSTALLATION INSTRUCTIONS ACCORDING TO THE DIMENSIONS AND SUPPLY VOLTAGE AND AMPERAGE RATINGS SHOWN.
- DO NOT INSTALL THE LUMINAIRE NEAR ANY HEAT SOURCE.
- TO AVOID INJURY OR DAMAGE TO THE LUMINAIRE, PLEASE ENSURE THAT THE POWER LEADS AND SCREWS ARE SECURE BEFORE CONNECTING POWER.
- ALWAYS ENSURE THAT POWER IS OFF, AND THE LUMINAIRE HAS COOLED, BEFORE PERFORMING ANY MAINTENANCE, CLEANING, OR ADJUSTMENTS TO THE LUMINAIRE.

#### FCC NOTICE

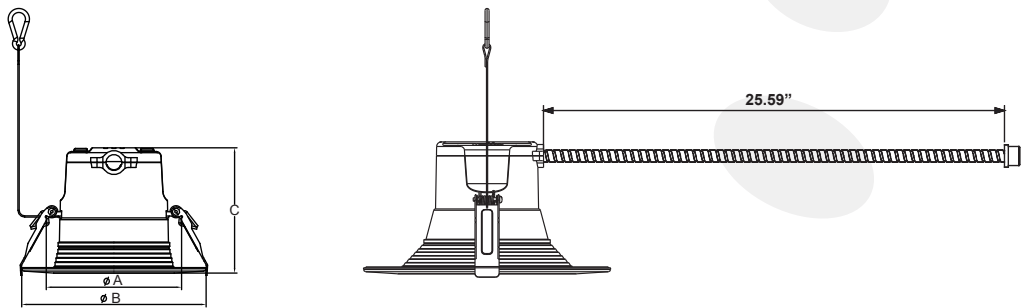
- This equipment has been tested and found to comply with the limits for a Class B digital device, pursuant to Part 15 of the FCC Rules. These limits are designed to provide reasonable protection against harmful interference in a residential installation. This equipment generates, uses and can radiate radio frequency energy and, if not installed and used in accordance with the instructions, may cause harmful interference to radio communications. However, there is no guarantee that interference will not occur in a particular installation. If this equipment does cause harmful interference to radio or television reception, which can be determined by turning the equipment on and off, the user is encouraged to try to correct the interference by one or more of the following:

1. Reorient or relocate the receiving antenna.
2. Increase the separation between the lighting unit and receiver.
3. Connect the lighting unit into an outlet on a circuit other than the outlet which the receiver is connected.
4. Consult the dealer or an experienced radio/TV technician for assistance.

**NOTE:** Please note that changes and modifications are not expressly approved by the party responsible for compliance could void the user's authority to operate the equipment.

Conforms to standard CAN-ICES 005(B) /NMB-005 (B)

TABLE 1



PRODUCTS COVERED								
Model	CCT Adjustable	Lumen output	Wattage Adjustable	A	B	C	Min. Cutout	Max. Cutout
4" CCT	2700/3000/3500 /4000/5000(K)	1000/1500/2000(LM)	9W/13W/18W	4.33"	5.91"	4.02"	4.33"	5.51"
6" CCT		1500/2000/3000(LM)	13W/19W/27W	5.91"	8.27"	4.41"	5.91"	7.48"
8" CCT		2000/3000/4000(LM)	18W/27W/36W	7.48"	10.24"	4.76"	7.48"	9.45"

# WHITE SKY™

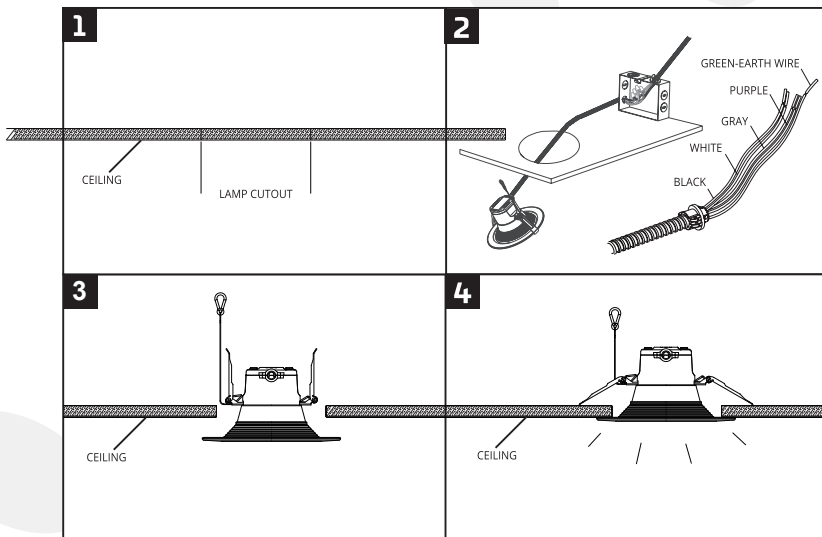
## 2nd Gen Commercial Downlight



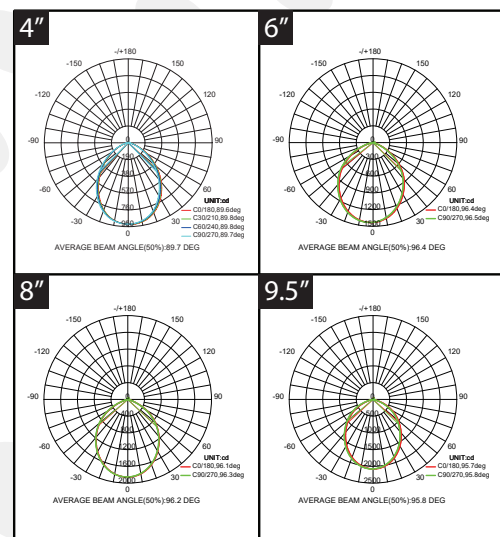
### Installation

**ALWAYS TURN OFF THE POWER SUPPLY FROM MAIN CIRCUIT BREAKER FIRST!**

1. THERMAL RADIATION SPACE AND IRRADIATION DISTANCE MUST BE ENSURED. THE HEIGHT OF THE FIXTURE SHOULD BE NO LESS THAN 100MM. OPEN A HOLE IN CEILING ACCORDING TO CUTOUT SIZE OF THE LAMP.
2. CONNECT AC AND DC WIRES CORRESPONDINGLY AS SHOWN IN FIGURE 2.
3. BEND BACK THE SPRING CLIPS THEN PUSH THE LAMP INTO THE HOLE.
4. INSTALLATION COMPLETED. SWITCH ON.



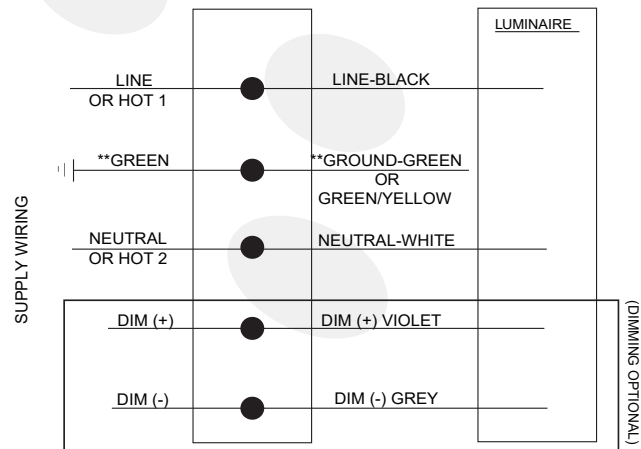
LUMINOUS INTENSITY DISTRIBUTION DIAGRAM



### ELECTRICAL CONNECTIONS- STANDARD LUMINAIRE

Make the following Electrical Connections:

- a. For 120-347V connect the black fixture lead to the voltage supply or Hot 1 .
- b. For 120-347V connect the white fixture lead to the neutral supply or Hot 2 .
- c. Connect the green or green/yellow supply ground lead to the junction box
- d. If 0/1-10y Dimming is used, connect the violet lead to the supply positive dimming lead. If dimming is not being used ensure to cap off the violet lead. For dimming connections, use Class 1 wiring methods.
- e. If 0/1-10V Dimming is used, connect the grey lead to the supply negative dimming lead. If dimming is not being used ensure to cap off the grey lead. For dimming connections, use Class 1 wiring methods.

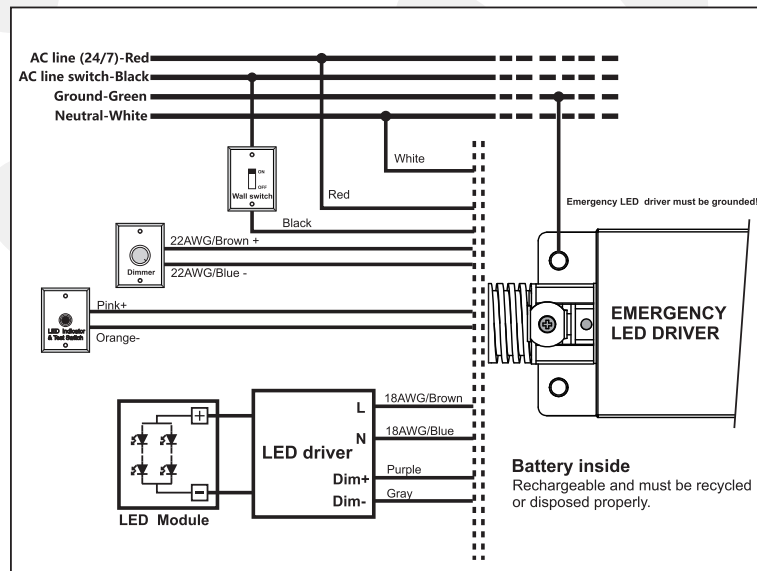
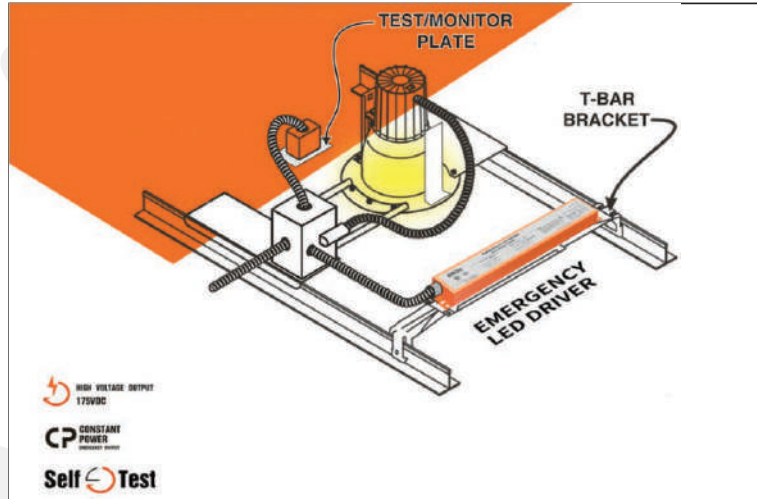


\*\* Connect the green or green/yellow supply ground lead to the junction box

# WHITE SKY™

## 2nd Gen Commercial Downlight

### Wiring Diagram



### Packaging

SKU #.	Box Type	Product Size	Dimension (Inches)	Qty	Net Weight	Gross Weight
156668	Inner Box	4"	7.28 X 7.25 X 4.60	1		
	Outer Box	4"	15.47 x1 4.76 x 8.11	6		
156644	Inner Box	6"	8.46 x 8.46 x 5.03	1	1.16 LBS	1.52 LBS
	Outer Box	6"	26.38 x 9.29 x 11.02	6	7.01 LBS	10.07 LBS
156669	Inner Box	8"	10.43 x 10.43 x5 .43	1		
	Outer Box	8"	21.77 x 17.24 x 11.26	6		

# WHITE SKY™

2nd Gen  
Commercial Downlight



## Application Image



LED COMMERCIAL DOWNLIGHTS

## Warranty

5 Years Warranty