

PATIO TREE

# 10'x12' Portofino Hardtop Gazebo With Double Roof Assembly Manual



**Read the instructions before use of this product.**

Please keep this instruction manual for future reference.



1. Two or more people are required for assembly.



2. You will need one or more stepladders.



3. Wearing protective gloves is recommended.



4. You may need a safety hat.



5. Use the hex keys in the box.



6. Please use a Phillips screwdriver.



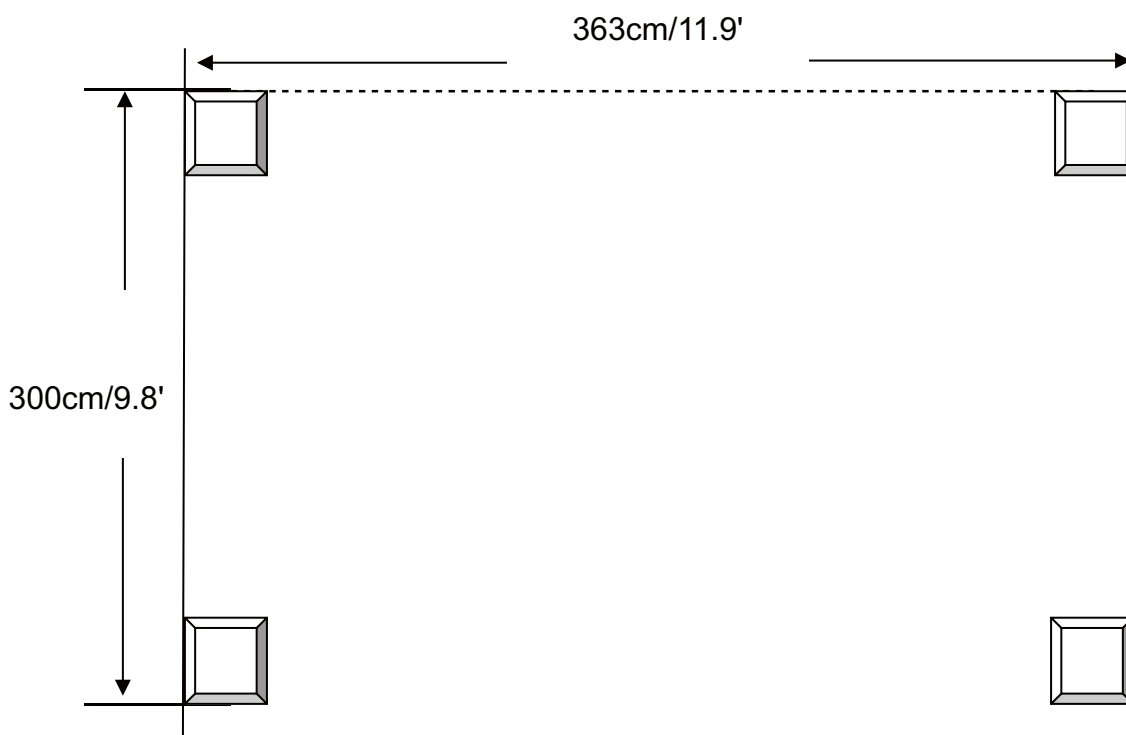
7. Do not fully tighten screws prior to complete assembly.




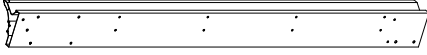
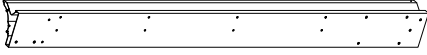


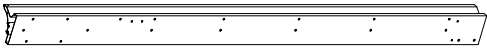



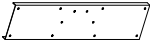

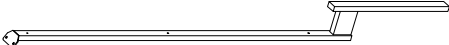




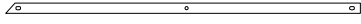

8. For ease of construction, you may need to use a drill.




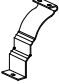
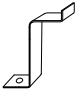


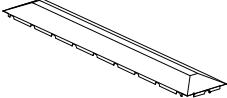
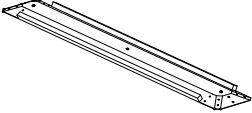
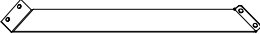



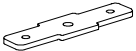

---













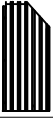


## 10x12' ANCHOR BLUEPRINT


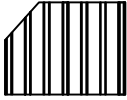
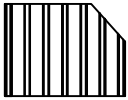

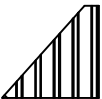
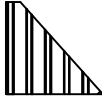
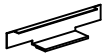


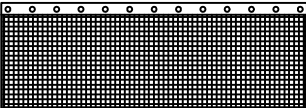
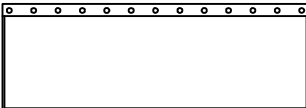
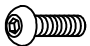
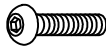
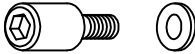




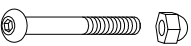

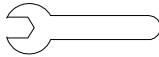

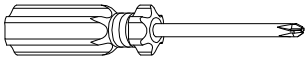
PARTS&HARDWARE LIST

PART PIECE	ITEM/ARTICLE	DESCRIPTION	QTY/QTÉ
A		Pole	4
B		Beam	2
B1		Beam	2
B2		Sidewall Track	2
B3		Sidewall Track	2
C		Beam	2
C1		Beam	2
C2		Sidewall Track	2
C3		Sidewall Track	2
D		Union Bar	4
E		Corner Roof Bar	4
E1		Roof Bar	4
F1		Jointer Bar	2
F2		Jointer Bar	2
F3		Jointer Bar	2
F4		Jointer Bar	2
G		Solidifying Bar	4
G1		Solidifying Bar	4

PART PIECE	ITEM/ARTICLE	DESCRIPTION	QTY/QTÉ
H		Finishing Bar	2
H1		Finishing Bar	2
I		Corner Cover	4
I1		Joint Cover	4
I2		Joint Cover	4
J		Finishing Bar	2
J1		Finishing Bar	2
K		Outside Roof Connector	1
K1		Inside Roof Connector	1
L1		Corner Solidifying Bar	4
L2		Corner Solidifying Bar	4
M1		Base	4
M2		Finishing End	8
M3		Iron Angle	4
M4		Iron Angle	4

PART PIECE	ITEM/ARTICLE	DESCRIPTION	QTY/QTÉ
M5		Spacer	80
N		Roof Panel	2
N1		Roof Panel	2
N2		Roof Panel	2
N3		Roof Panel	2
N4		Roof Panel	2
N5		Roof Panel	2
N6		Roof Panel	2
N7		Roof Panel	2
O		Roof Panel	2
O1		Roof Panel	2
O2		Roof Panel	2
O3		Roof Panel	2
O4		Roof Panel	2
O5		Roof Panel	2

PART PIECE	ITEM/ARTICLE	DESCRIPTION	QTY/QTÉ
P		Roof Panel	2
P1		Roof Panel	2
P2		Roof Panel	2
P3		Roof Panel	2
Q		Roof Panel	2
Q1		Roof Panel	2
R		Metal Bracket	16+4
R1		Metal Bracket	56
S		Hook	72
T		Mosquito Sidewall	4
T1		Solide Sidewall	4
X	 M6*15	Screws	196+5
X1	 M6*25	Screws	7+1
X2		Screws	16+2
X3	 M6*25	Screws	64+3

PART PIECE	ITEM/ARTICLE	DESCRIPTION	QTY/QTÉ
X4	 M6*45	Screws	8+2
X5	 M6*50	Screws	16+2
X6	 5*10	Screws	48+3
X7		Wrench	1
X8		Allen Key	2
X9		Screw Driver	1



STEP1

Set up poles (Part A) with stand paletes (Part M1) using screws X as shown in diagram.



A x4

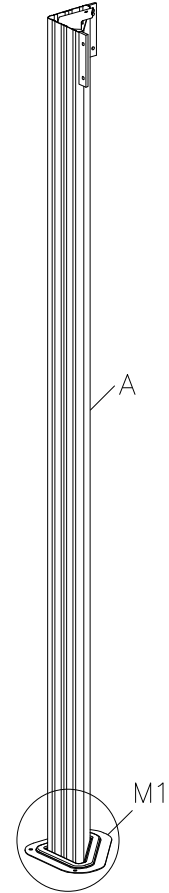
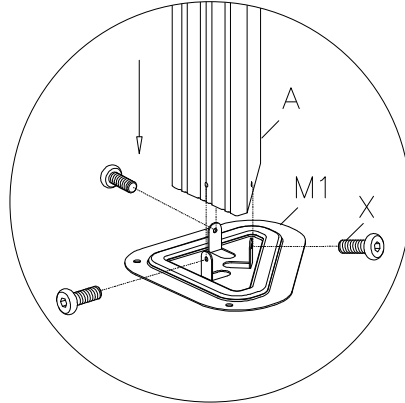


M1 x4

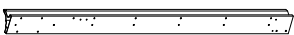


M6\*15

X x12



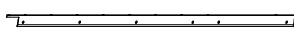
STEP2



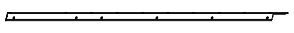
Cx2



C1x2



F1x2



F2x2



C2x2



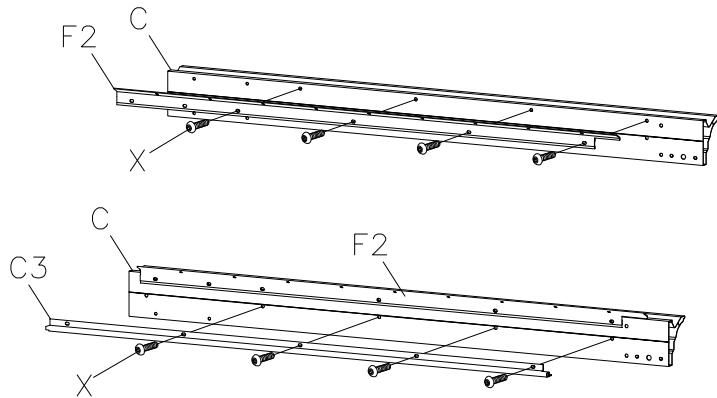
C3x2



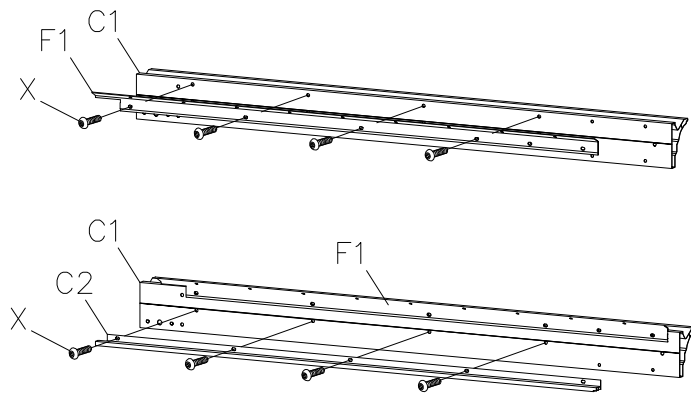
M6\*15

Xx32

①



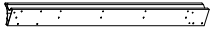
②



Attach parts (C2, C3, F1, F2) to beam (C, C1) using screws X as shown in diagram.

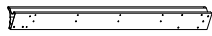
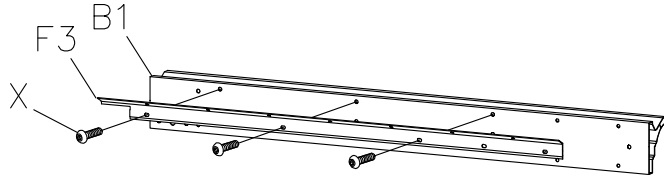
**STEP3**

Attach parts (B2, B3, F3, F4) to beam (B, B1) using screws X as shown in diagram.

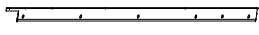


Bx2

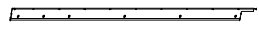
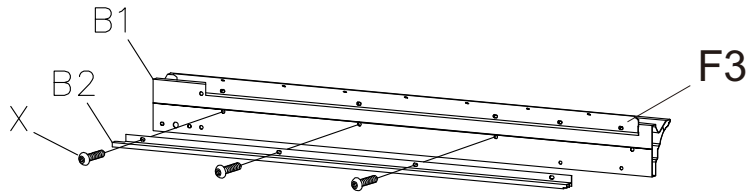
①



B1x2

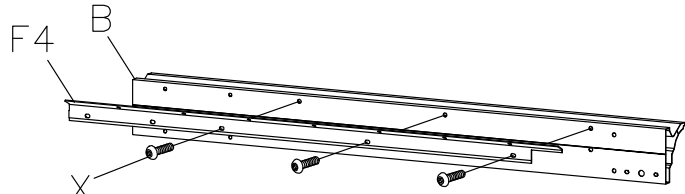


F3x2



F4x2

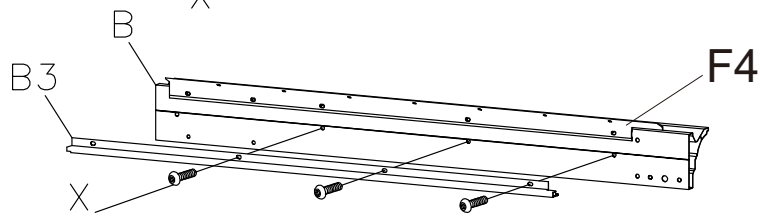
②



B2x2



B3x2



M6\*15

Xx24

**STEP4**

Connect (Part B1) and (Part B) into one beam using union bar (Part D) with screws X.

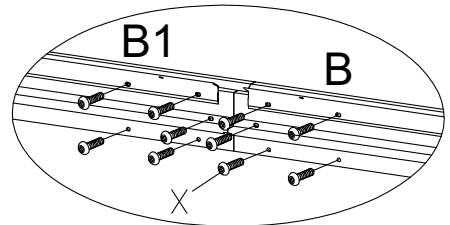
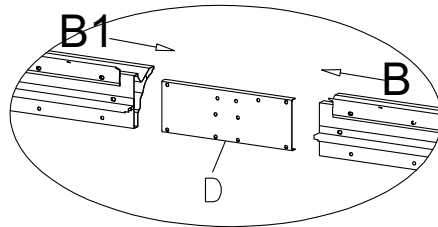


Dx4



M6\*15

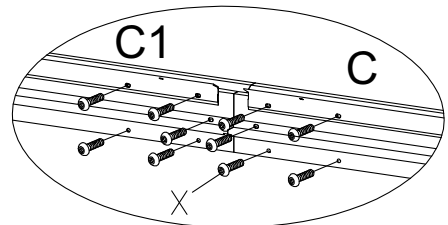
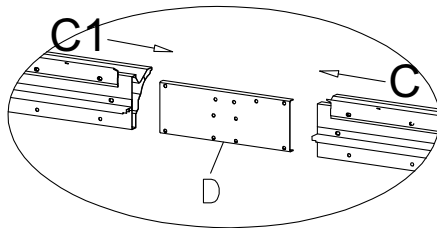
Xx40



B1

B

Connect (Part C1) and (Part C) into one beam using union bar (Part D) with screws X.



C1

C

**STEP5**

Affix middle beams using joint cover (Part I1) and screws X6 as shown in diagram.

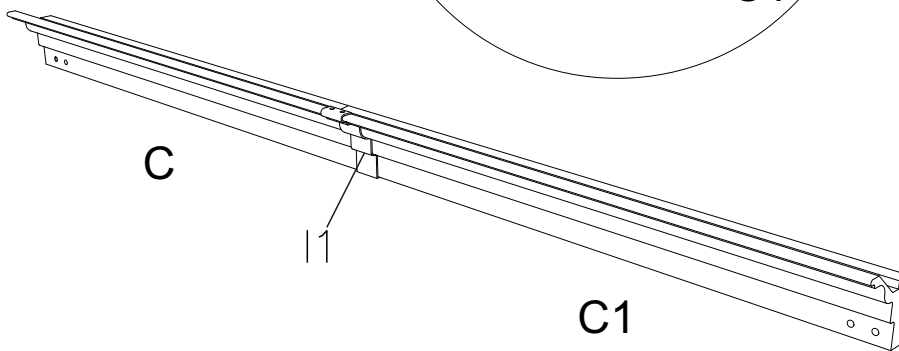
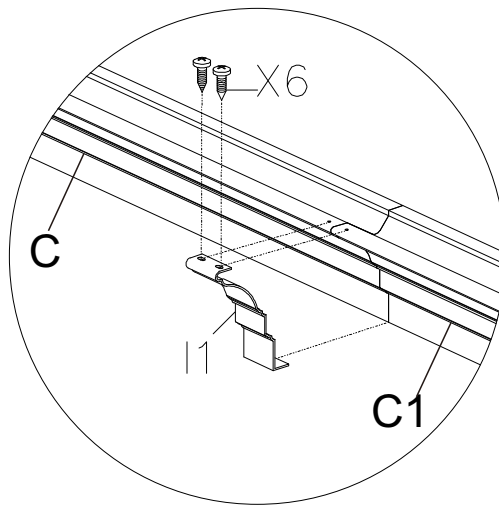
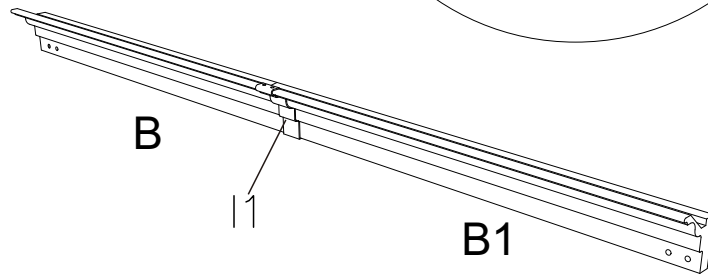
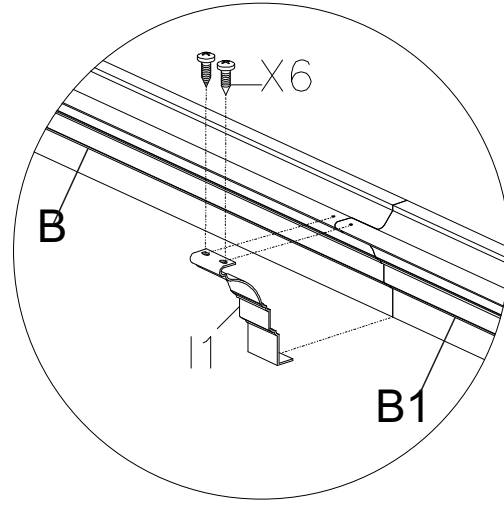
Tips: Please screw the upper of the joint cover, and then screw the below part in the STEP 9.



I1x4

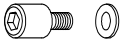


X6x8



STEP6

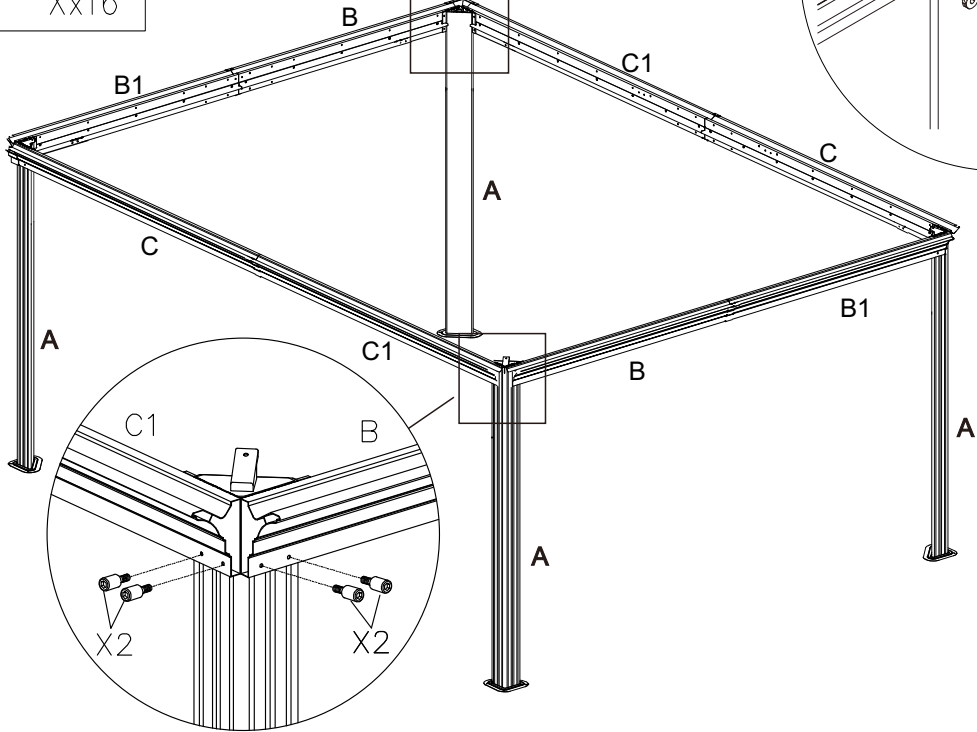
Use screws(X&X2) to connect poles and beams together as shown in diagram.



X2x16

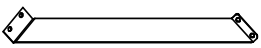


Xx16

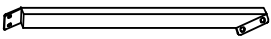


STEP7

Affix the frame with corner solidifying bars (Part L1 and L2) using screws X6 as shown in diagram.



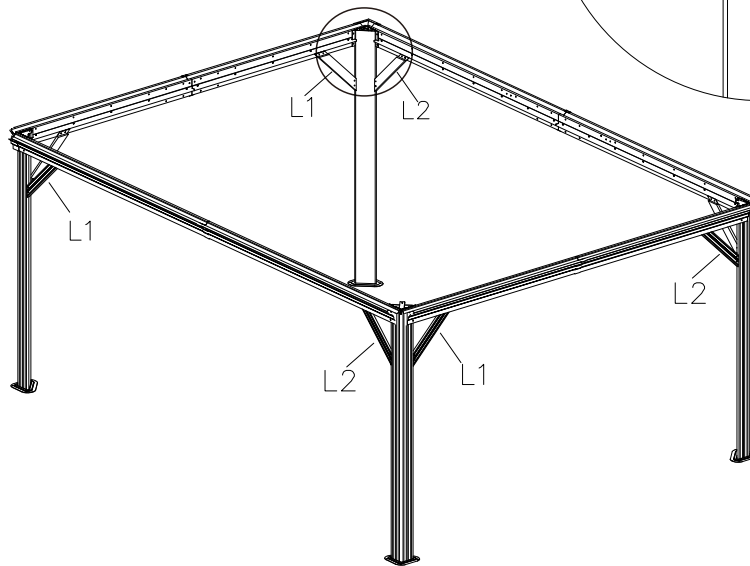
L1x4



L2x4



X6x32

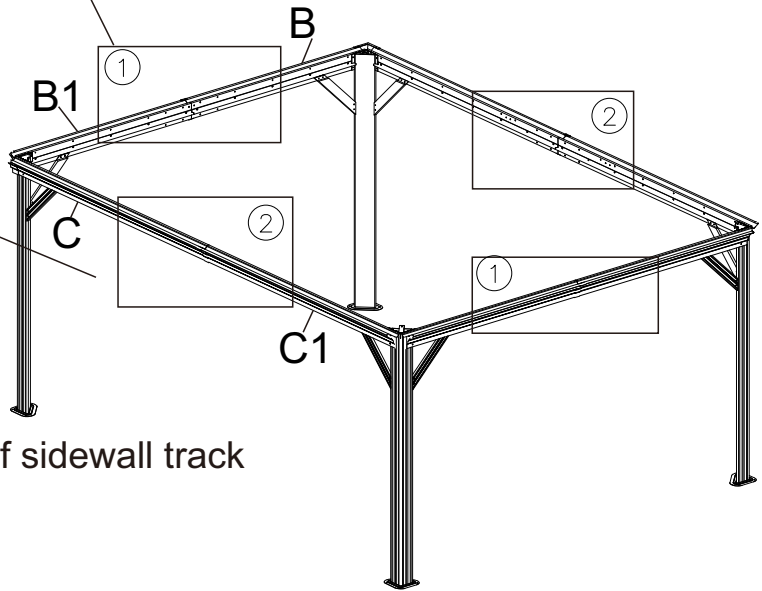
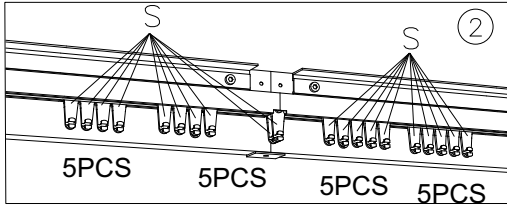
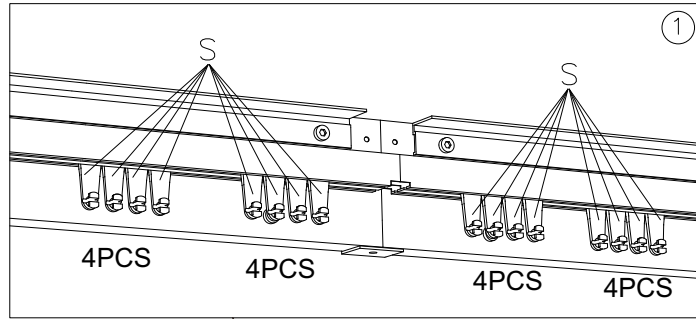


STEP8

Put 4 hooks (Part S) to each slot of sidewall track (Part B&B1).



Sx72



Put 5 Hooks (Part S) to each slot of sidewall track (Part C&C1).

STEP9

Affix middle beams using joint cover (Part I2) and screws X as shown in diagram.

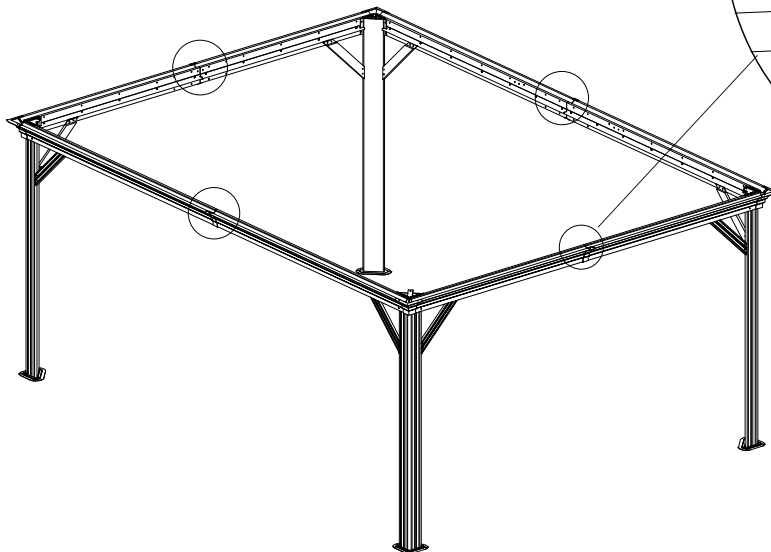
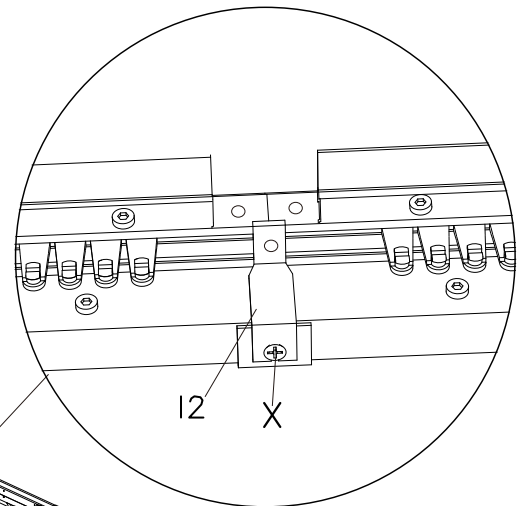


I2x4



M6\*15

Xx4



STEP10

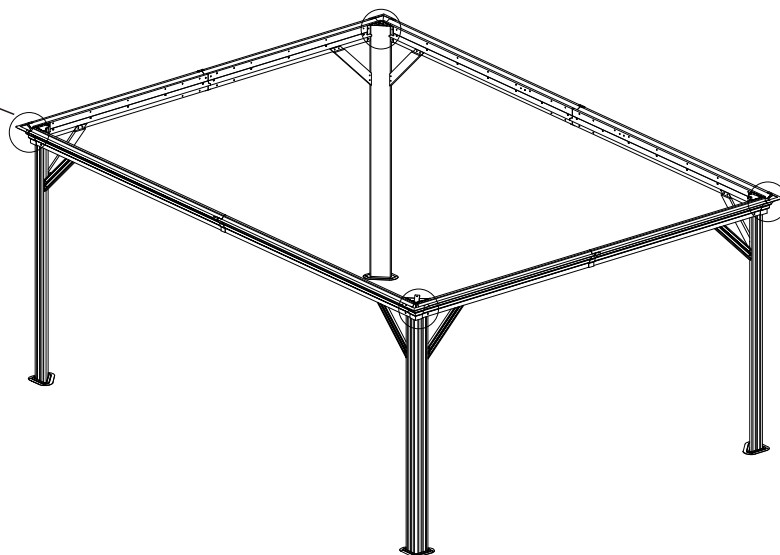
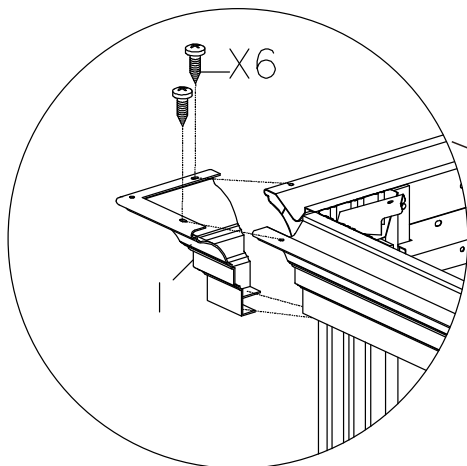
Finish connecting beams using corner covers (Part I) and screws X6 as shown in diagram.



1x4



X6x8



STEP11

Connect the inside roof connector (Part K1) with the corner roof bar (Part E) using screws X as shown in diagram.



E x 4

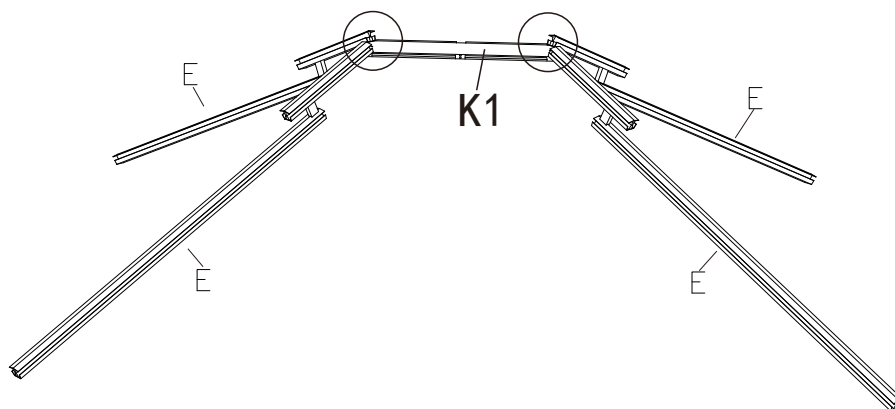
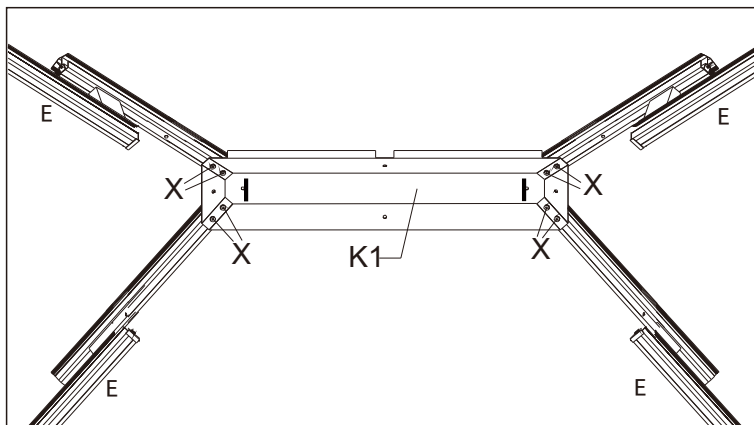


K1 x 1



M6\*15

X x 8



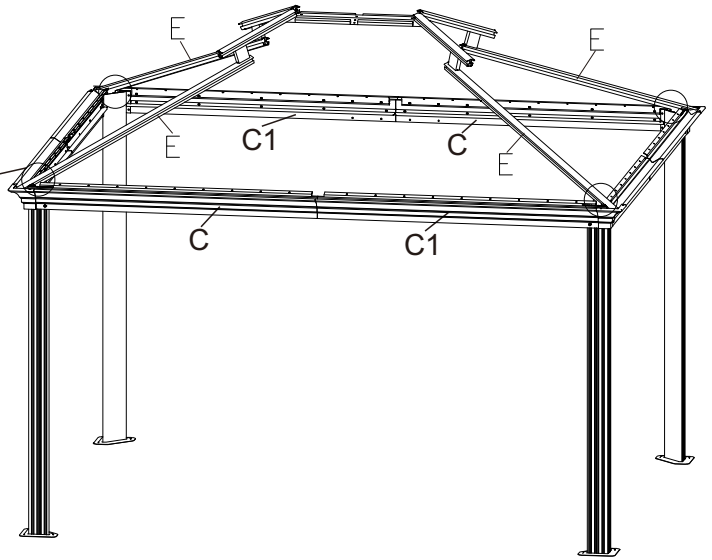
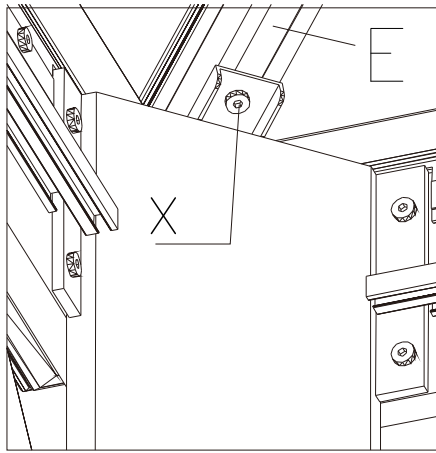
STEP12

Attach corner roof bar (Part E) to main frame using screws X as shown in diagram.



M6\*15

Xx4



STEP13

Attach roof bar (Part E1) to inside roof connector using screws X.

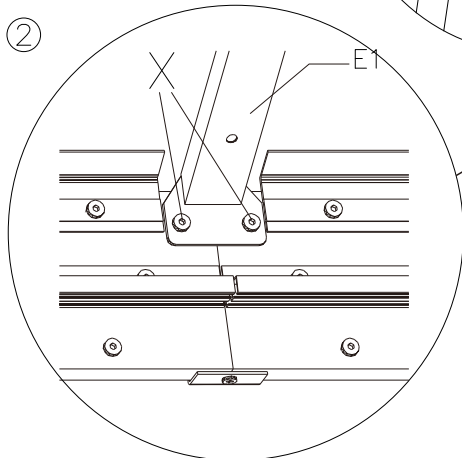
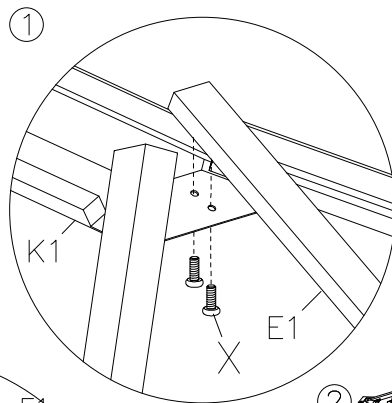


E1x4

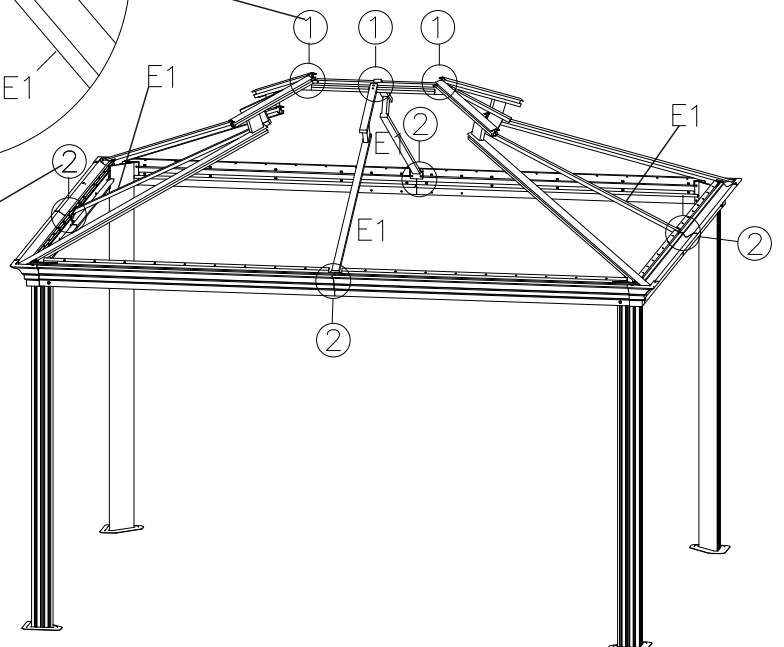


M6\*15

Xx16

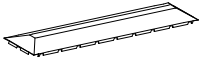


Attach roof bar (Part E1) to main frame using screws X.



STEP14

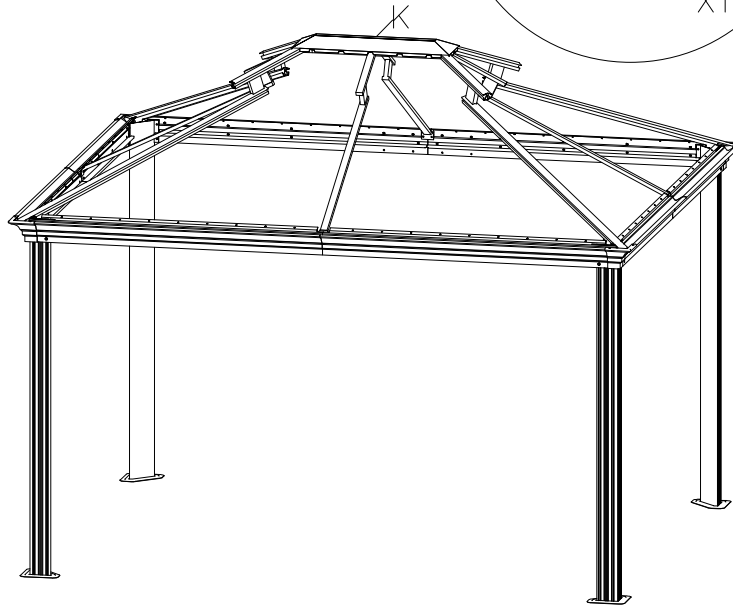
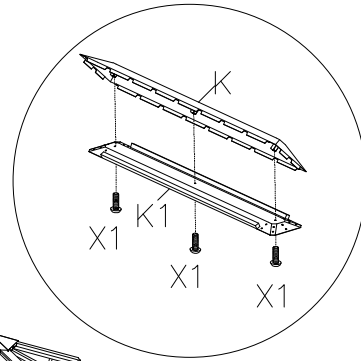
Connect outside roof connector (Part K) to inside roof connector (Part K1) using screws X1 as shown in diagram.



K x 1



X1 x 3

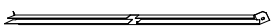


STEP15

Attach finishing bars (Part H&H1) to upper roof with finish end (Part M2) using screws X as shown in diagram.



H x 2



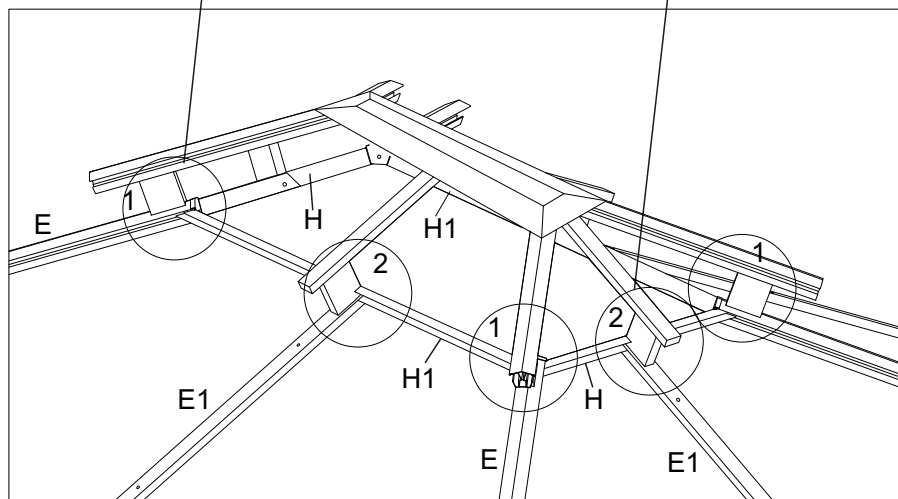
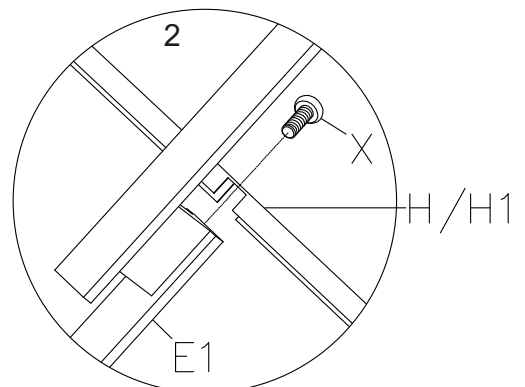
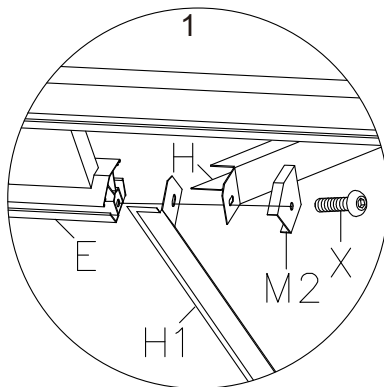
H1 x 2



M2 x 4



X x 8



STEP16

Cover metal bracket (Part R,R1) to roof panels as shown in diagram.



Px2



P1x2



P2x2



P3x2



Qx2



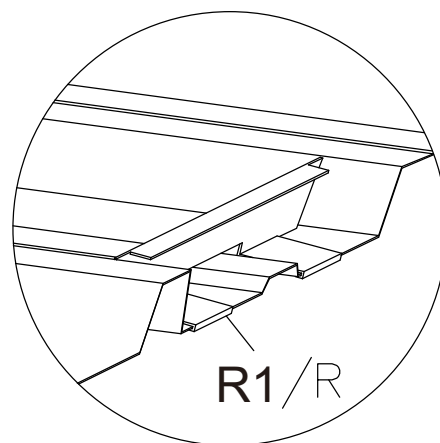
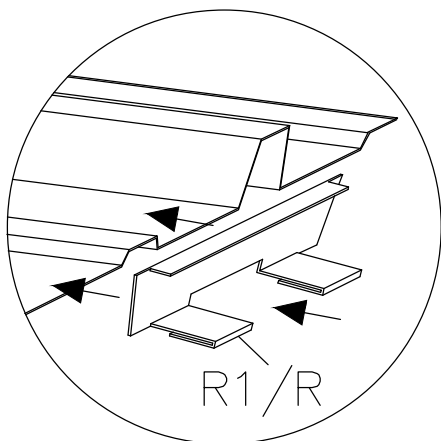
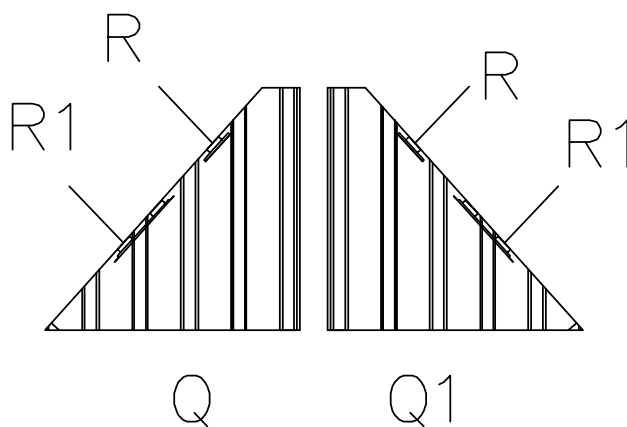
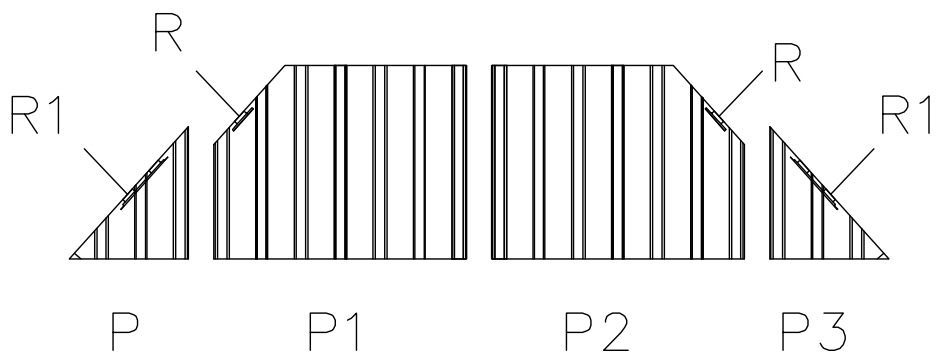
Q1x2



Rx8



R1x8



STEP17



Jx2



J1x2

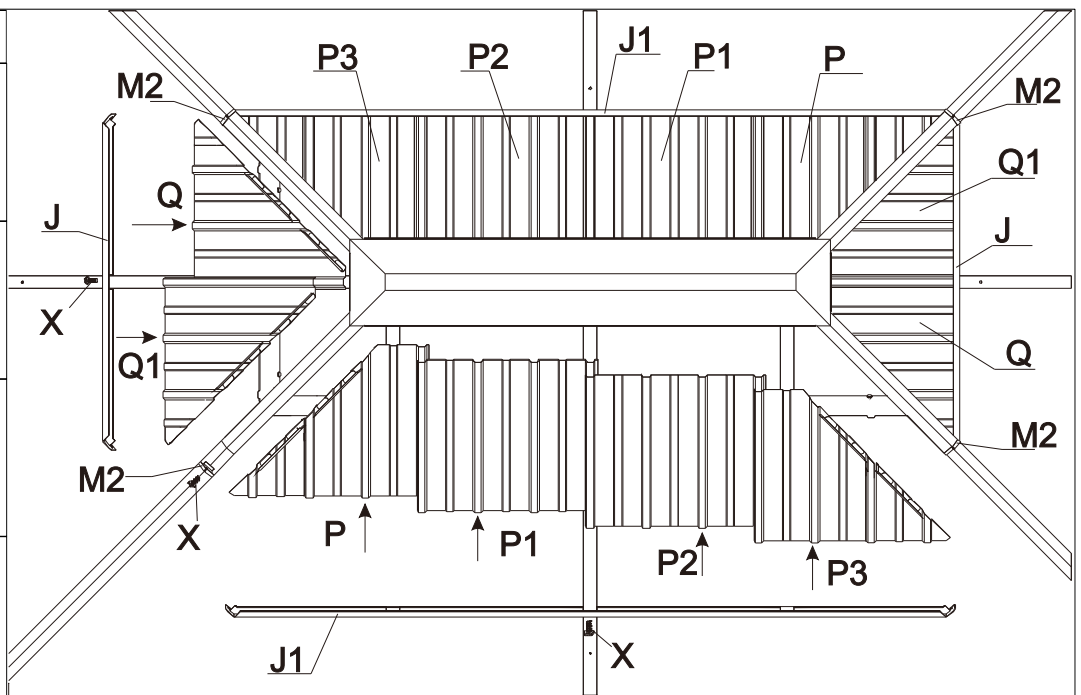


M2x4

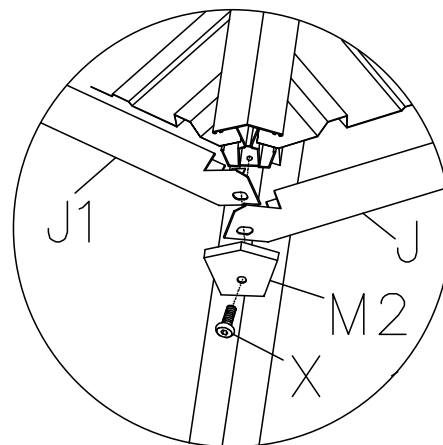
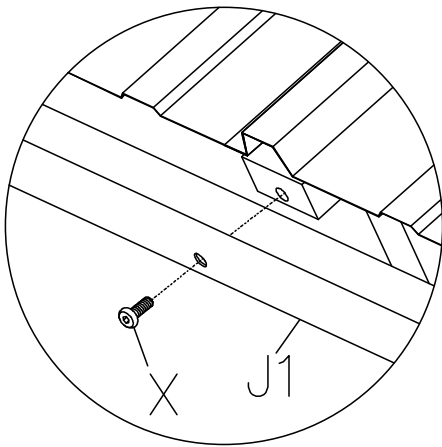
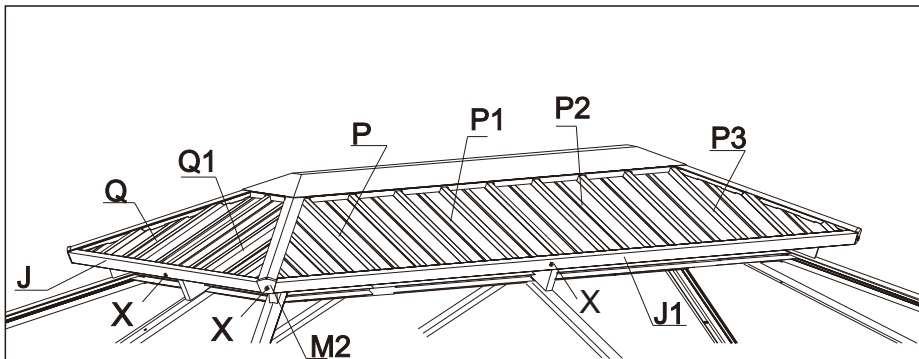


M6\*15

Xx8



Push the roof panels (Part P,P1,P2,P3,Q,Q1) to upper roof as shown in diagram.

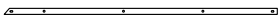


Attach finishing bar (Part J&J1) to upper roof with finish end (Part M2) screws X as shown in diagram.

STEP18



Gx4



G1x4



M3x4

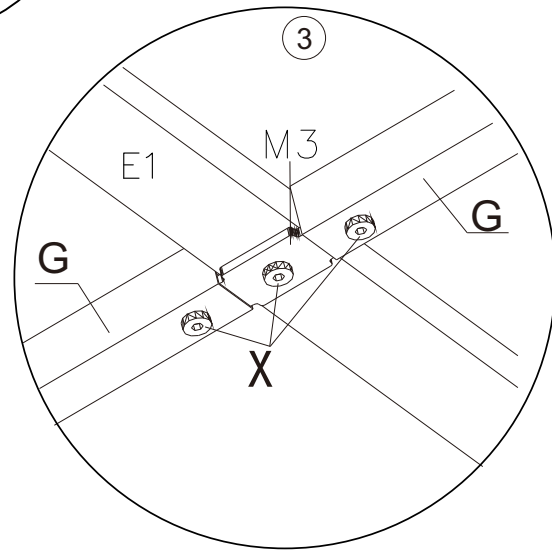
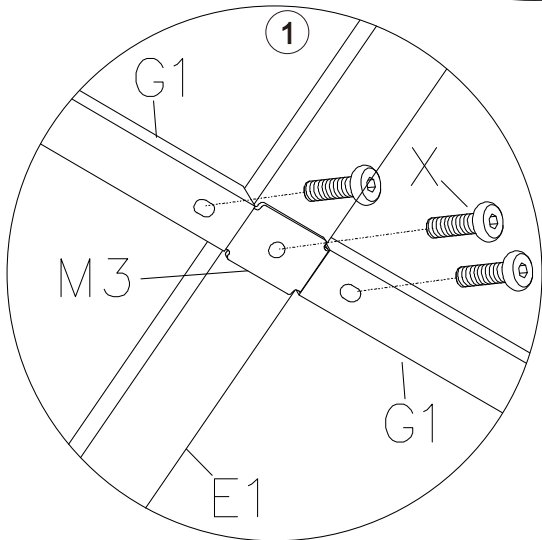
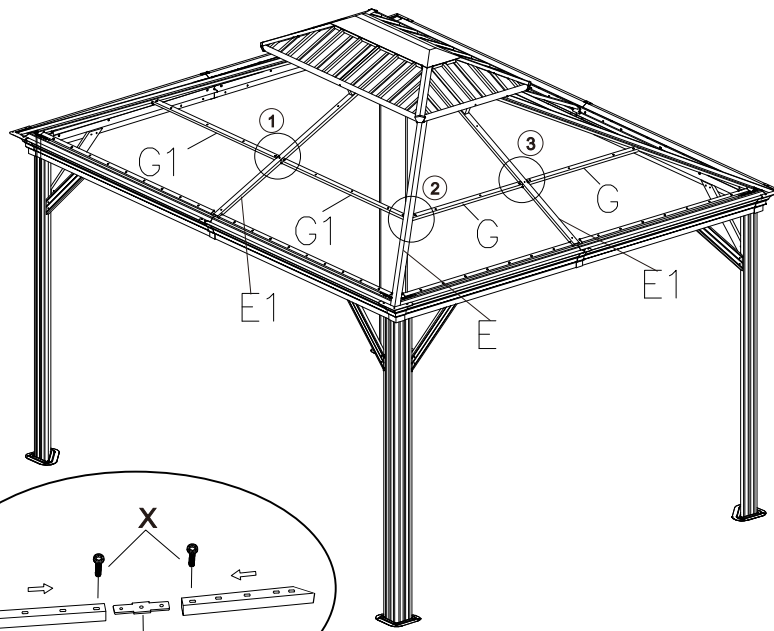


M4x4

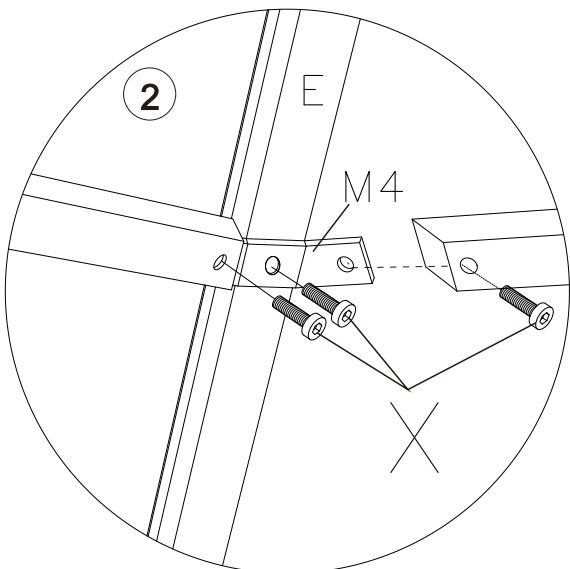


M6\*15

Xx24



Affix solidifying bar (Part G&G1) to roof bar or corner roof bar using iron angle (Part M3) and screws X as shown in diagram.



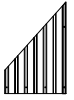
Affix solidifying bars to corner bar using iron angle (Part M4) and screws X as shown in diagram.

STEP19

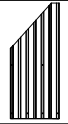
Cover metal bracket (Part R&R1) to roof panels as shown in diagram.



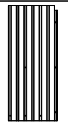
Nx2



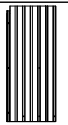
N1x2



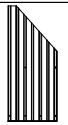
N2x2



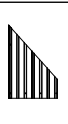
N3x2



N4x2



N5x2



N6x2



N7x2



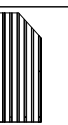
0x2



01x2



02x2



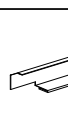
03x2



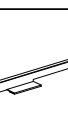
04x2



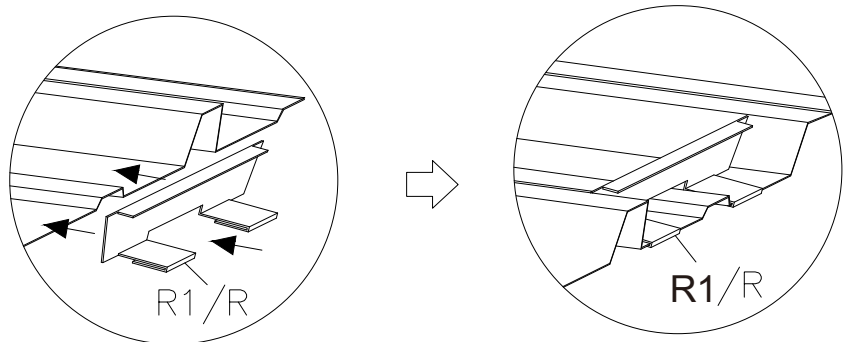
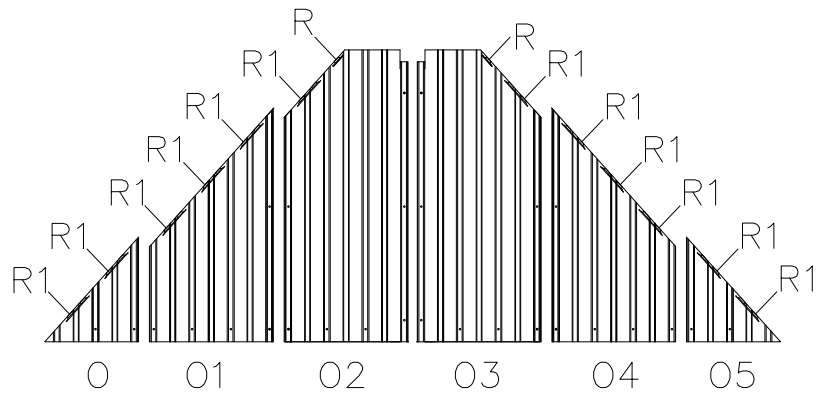
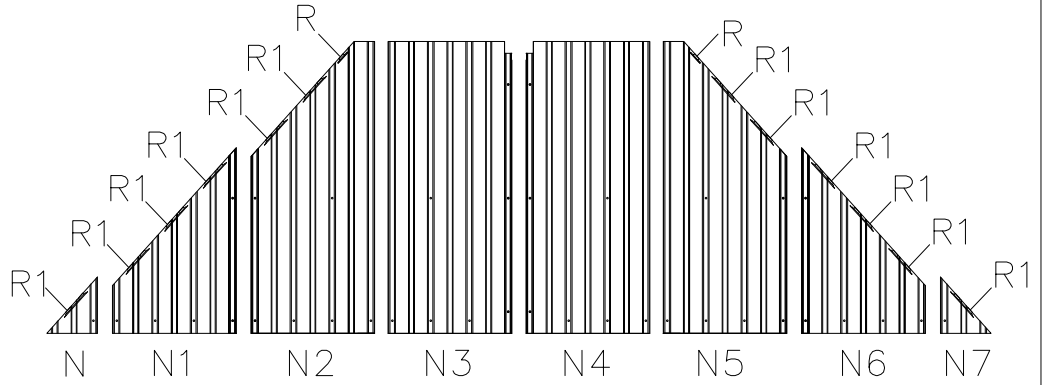
05x2



Rx8

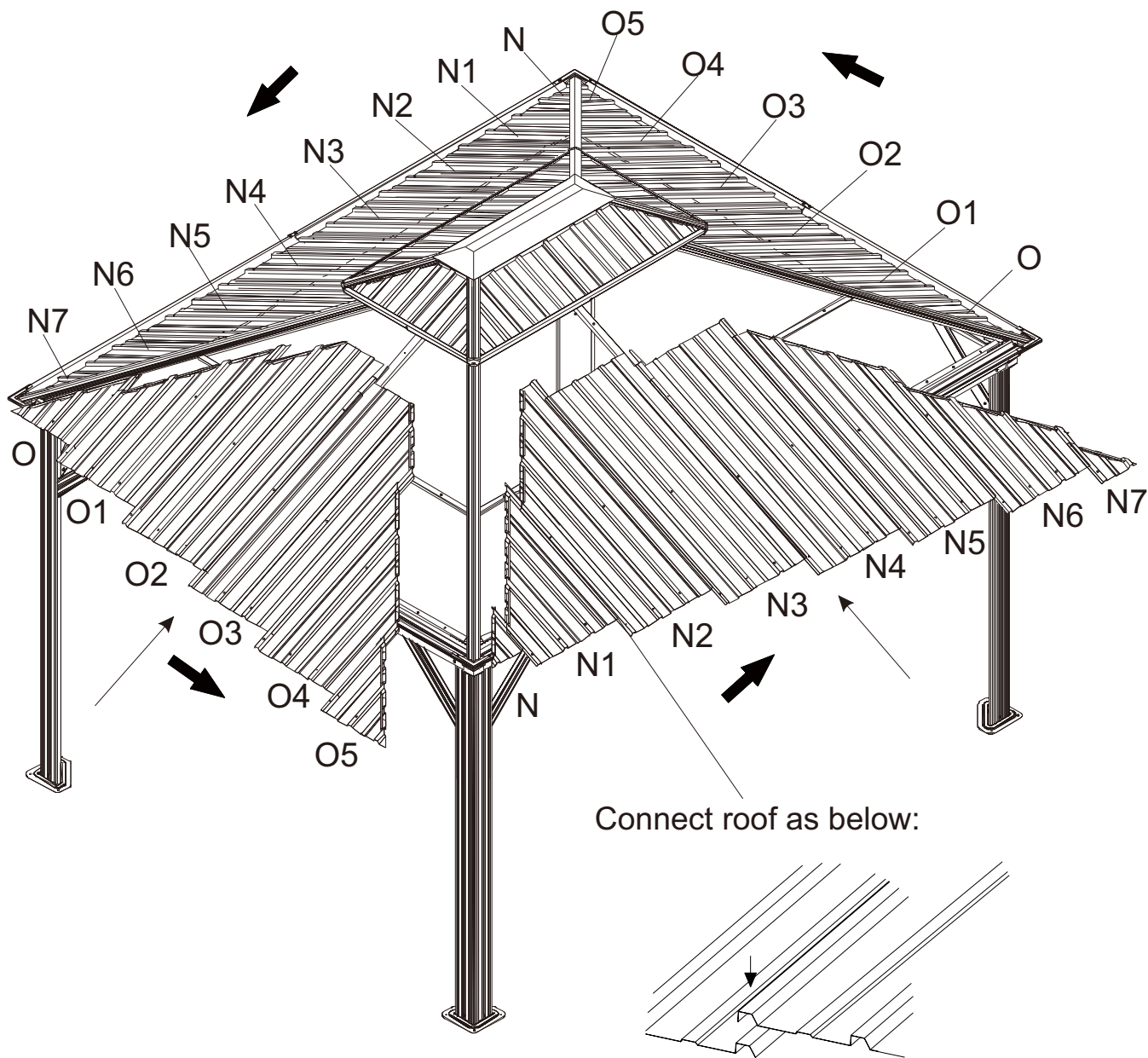


R1x48



# Overall roof assembly:

Please put the panels on the frame anti-clockwisely



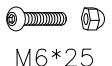
STEP20

Affix roof panels using screws and spacer (Part M5) as shown in diagram.

Attention:  
Put on one roof panel and fasten it accordingly before attaching second roof panel.



M6\*25  
X1x4



M6\*25  
X3x64



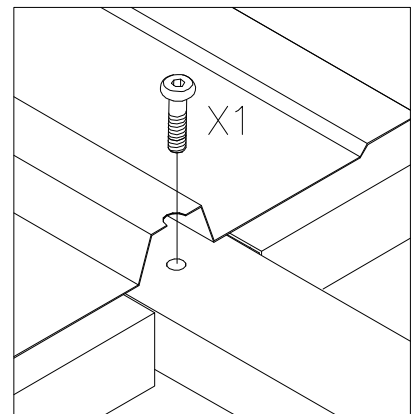
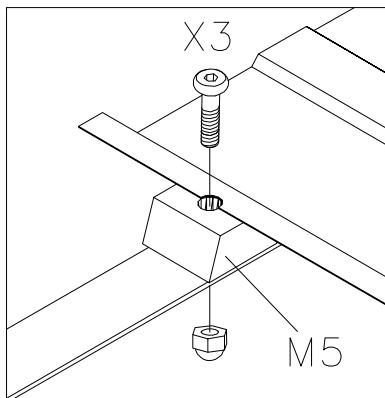
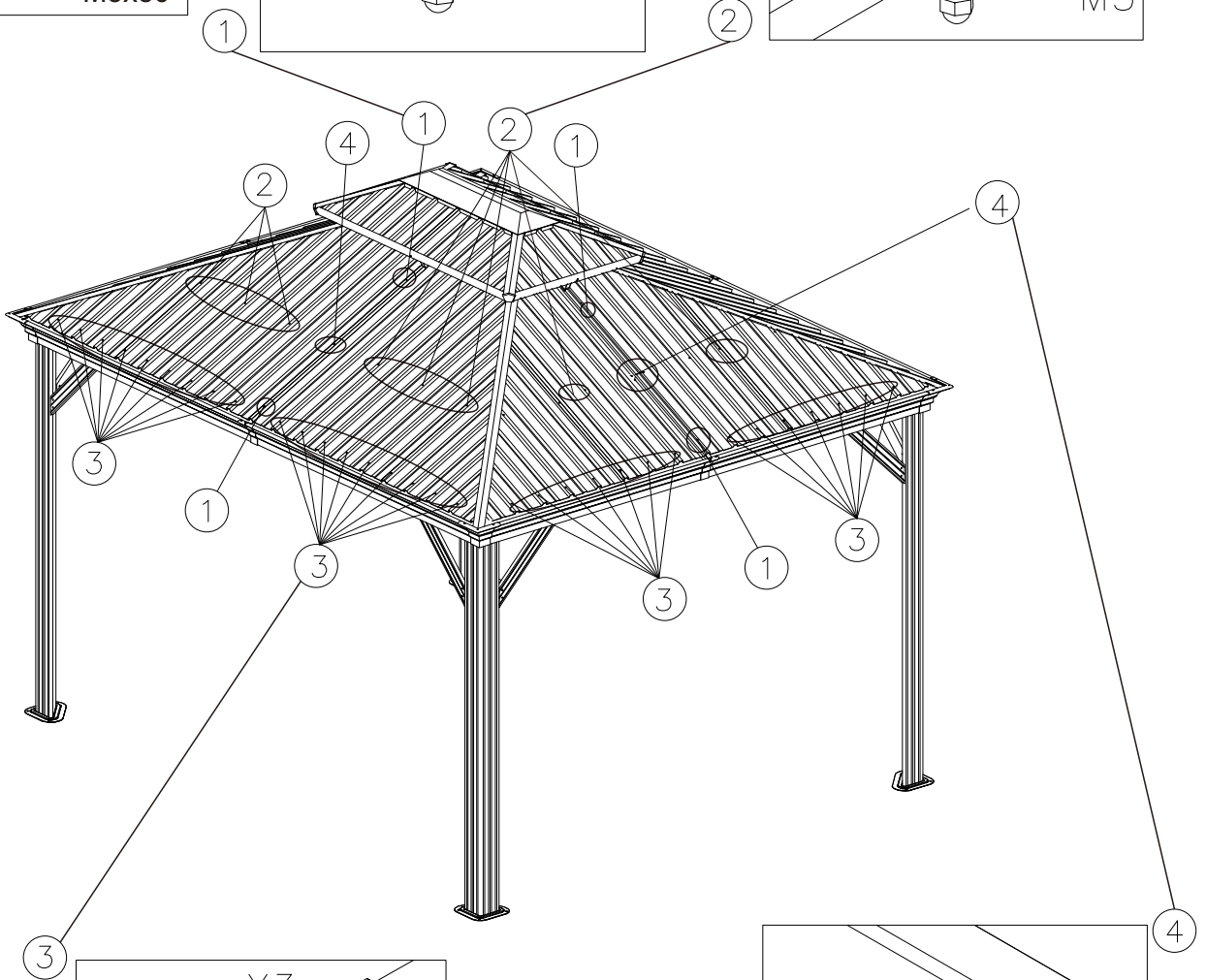
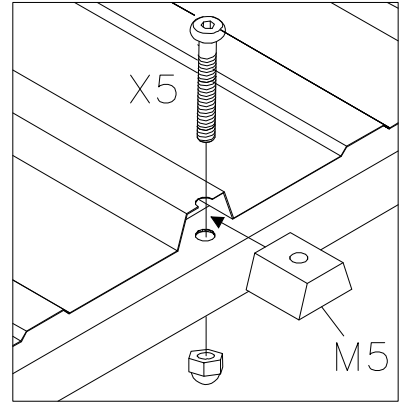
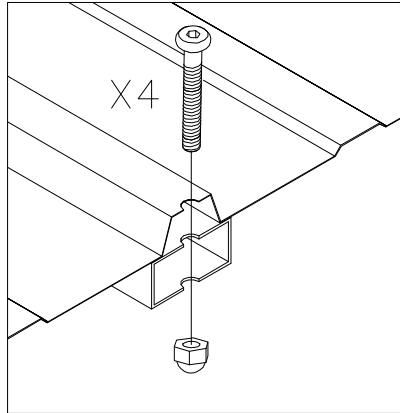
M6\*45  
X4x8



M6\*50  
X5x16

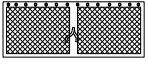


M5x80

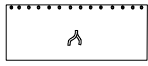


STEP 21

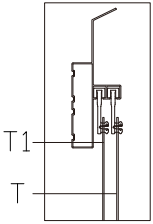
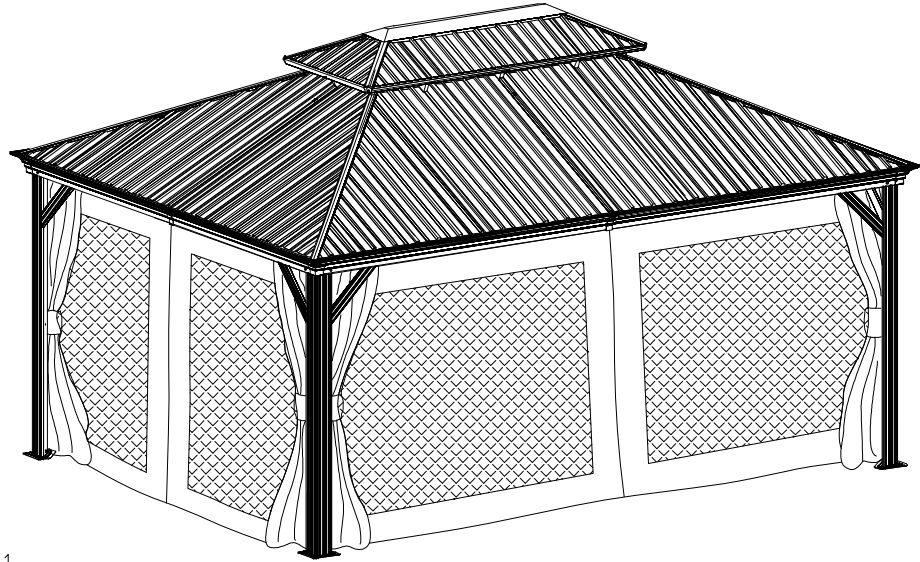
Hang up sidewall (Part T&T1) as shown in diagram.



Tx4

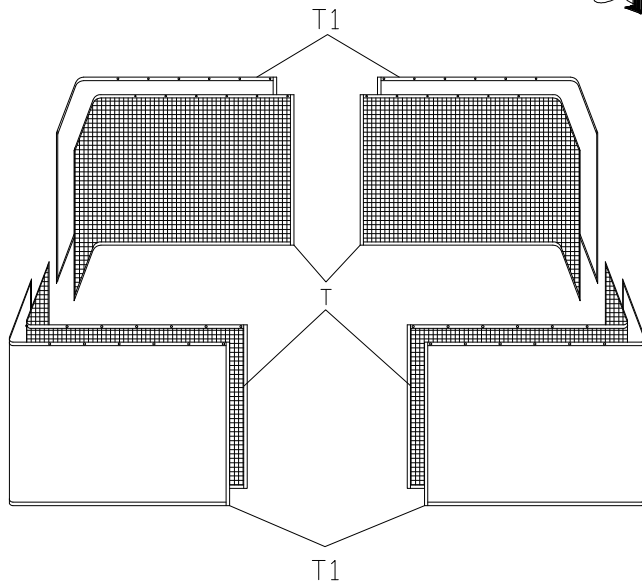


T1x4

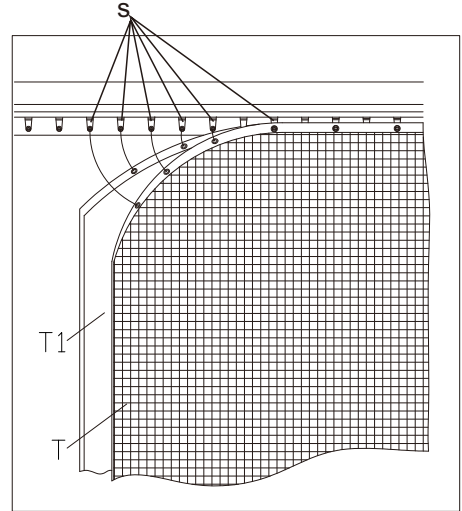


T1

T

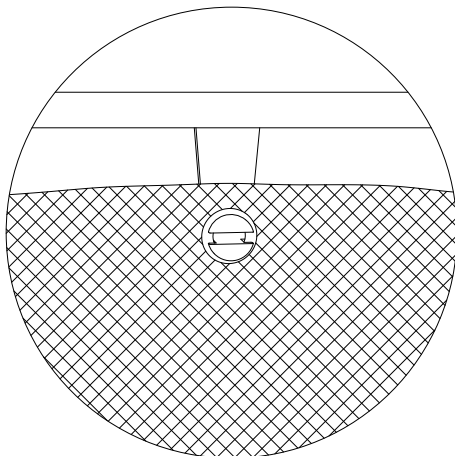


T1

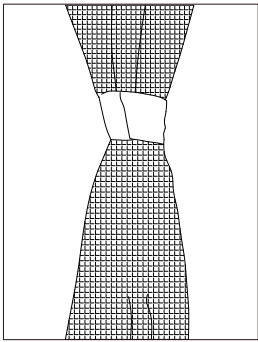
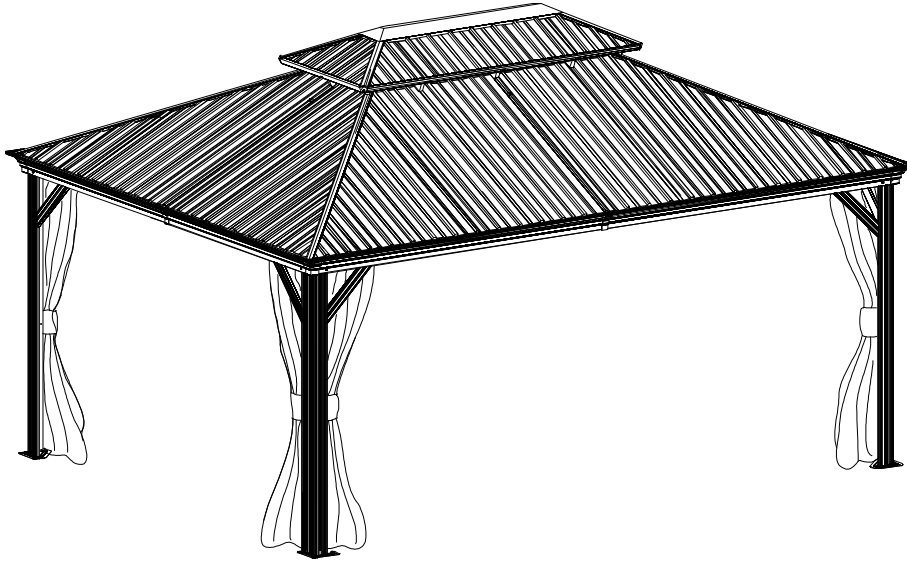


T1

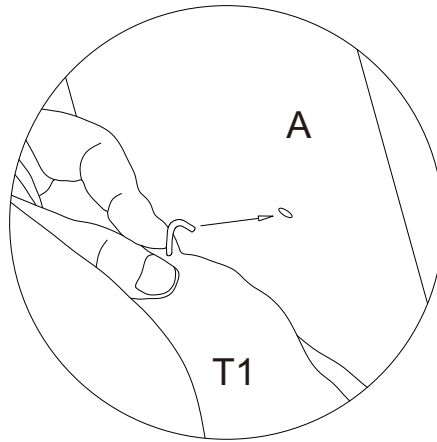
T



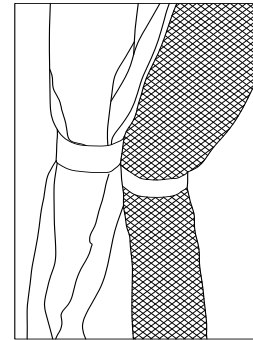
Step 22: When you close the curtain, please tie fabric strape to fix with poles as shown in diagram



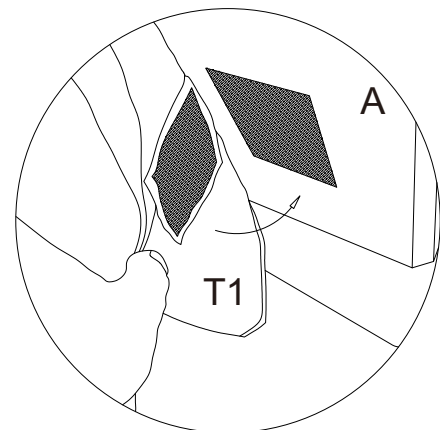
1.)Securing justthe netting.



2.)Hanging the hook of curtain on the tube A.



3.)Securing just the netting and curtains.



4.)Stacks velcro on tube A.

In the end check all screws are fixed tightly before using.



PEAKHOME FURNISHINGS INC.  
970 Roosevelt #202, Irvine, CA 92620  
[www.peakhomefurnishings.com](http://www.peakhomefurnishings.com)

**Check out more great products:  
[www.peakhomefurnishings.com](http://www.peakhomefurnishings.com)**

**CONTACT US; WE'RE HERE 7 DAYS A WEEK TO HELP YOU!**



1-818-963-1558



[phf@peakhomefurnishings.com](mailto:phf@peakhomefurnishings.com)

If we missed your call, please leave a detailed message including your name and phone number. We will call back as soon as possible.

#### **SOCIAL MEDIA**

Follow us on our Social Media by uploading a picture of our brands furnishings in your home, you will have chance to get our newest product free.

 [Facebook.com/Peak-Home-Furnishings-Inc-103544141243786/](https://www.facebook.com/Peak-Home-Furnishings-Inc-103544141243786/)

 [Instagram.com/peakhomefurnishings](https://www.instagram.com/peakhomefurnishings)

 [Twitter.com/peakhomefurnis1](https://twitter.com/peakhomefurnis1)