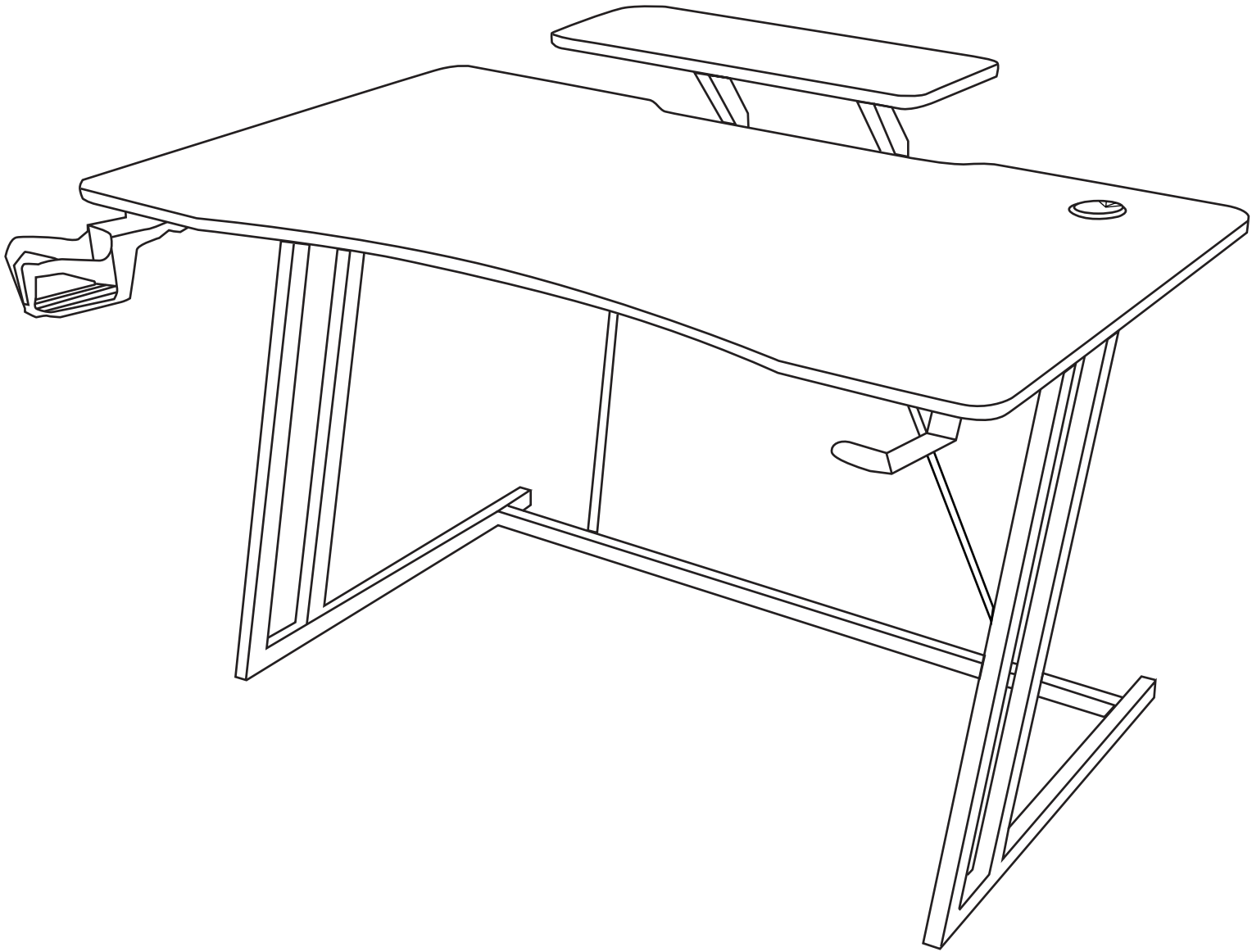
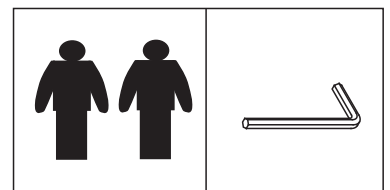


# Assembly Instructions

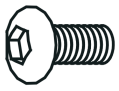

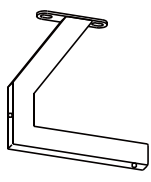
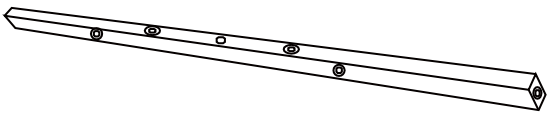
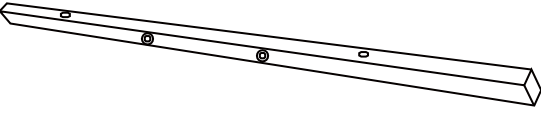
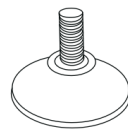
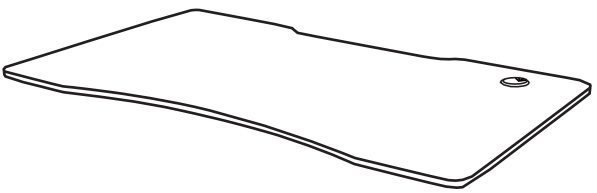
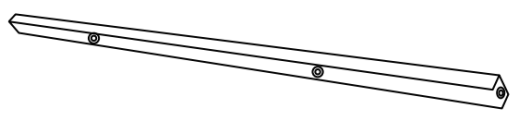
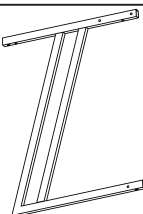
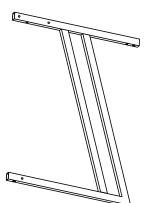
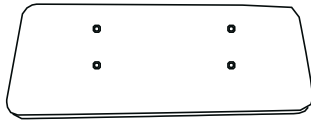
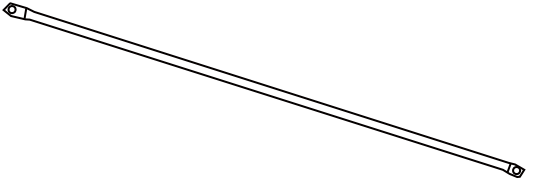
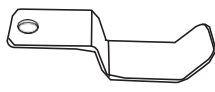
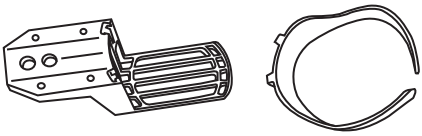




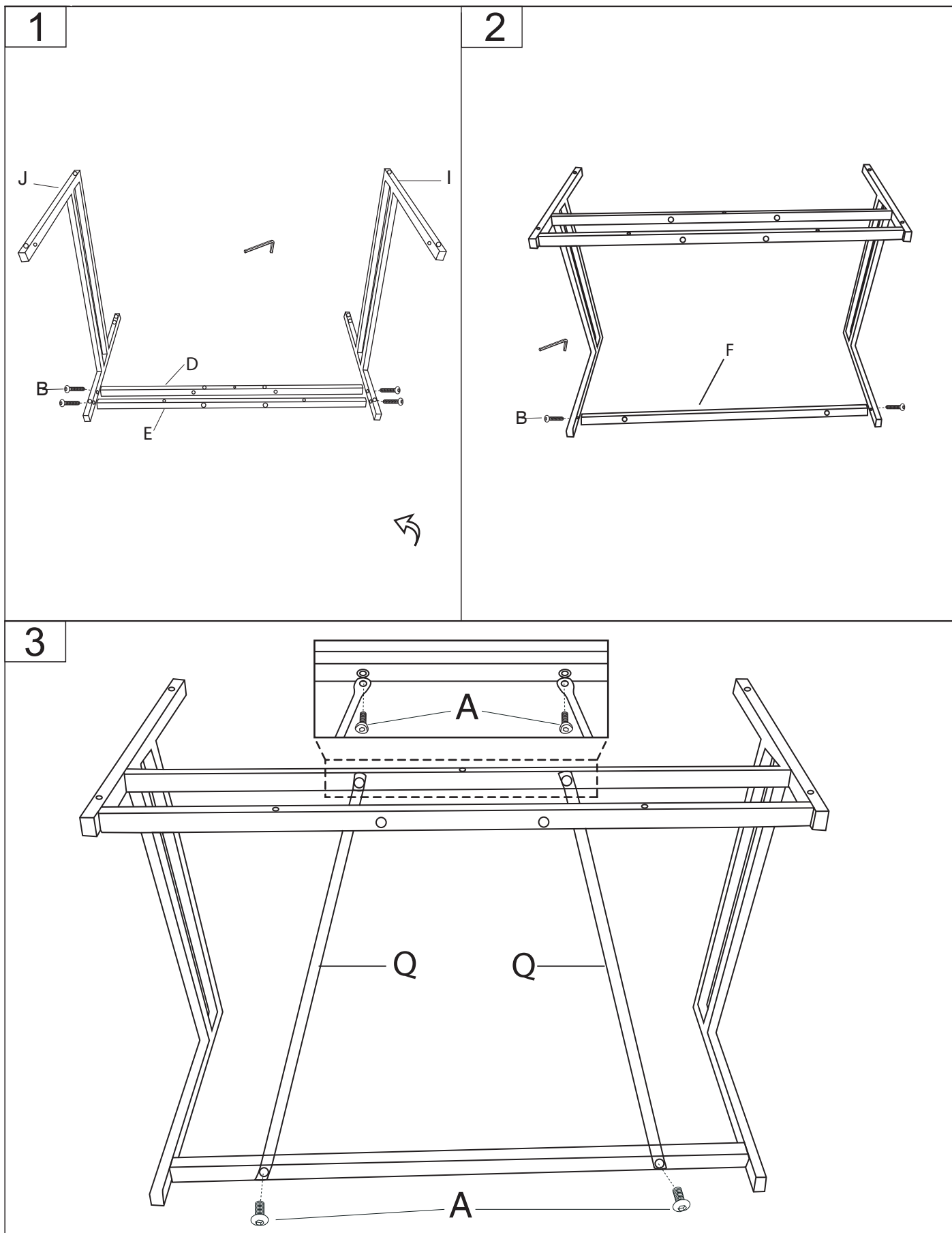
## Warning:

1. Static loading capacity: 220lb
2. Dynamic loading capacity: 11-18 lb
3. There is a potential risk of the desk falling down to the ground if not used properly. Please don't leave the kids alone with the desk.
4. Table leg stickers can be pasted according to personal preferences.

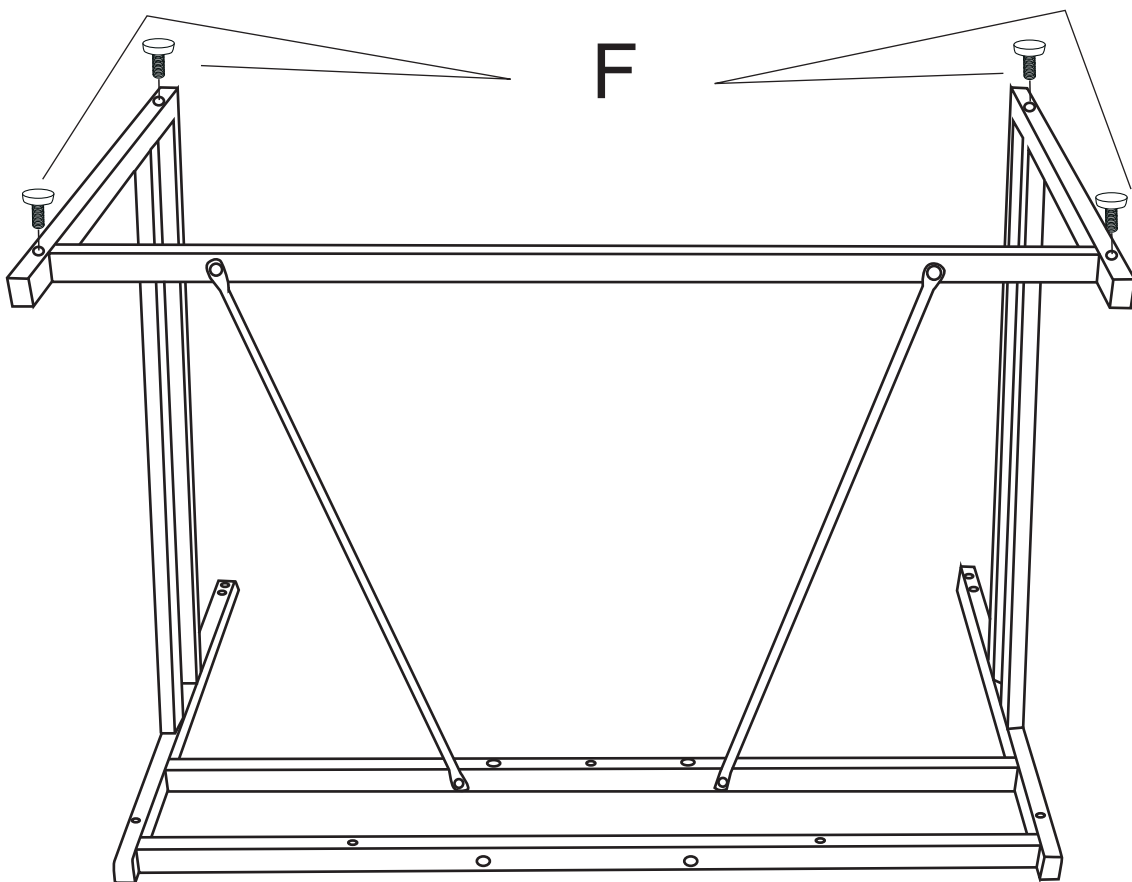


Check and make sure you get the components on the list, contact us for any missing

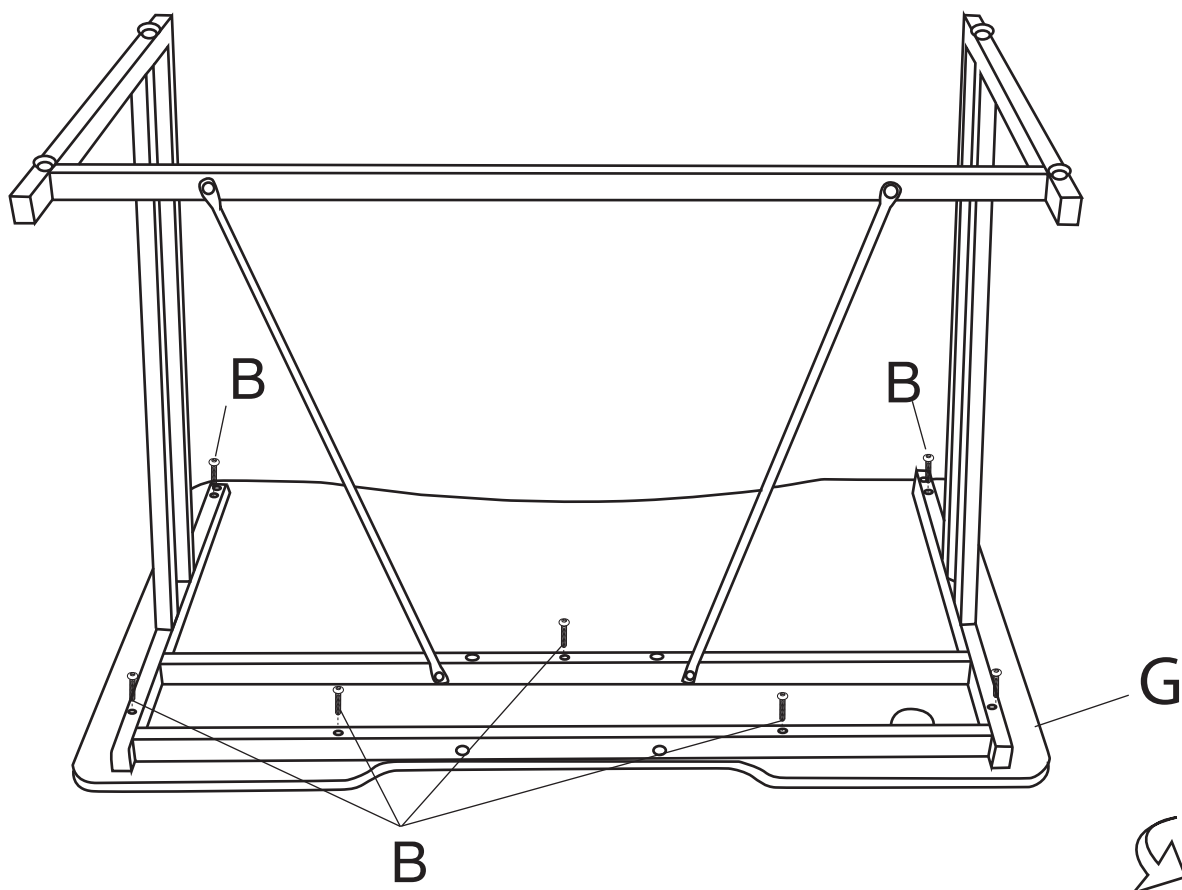
<p>A*10</p> 	<p>B*17</p> 
<p>C*2</p> 	<p>D*1</p> 
<p>E*1</p> 	<p>F*4</p> 
<p>G*1</p> 	<p>H*1</p> 
<p>I*1</p> 	<p>J*1</p> 
<p>K*1</p> 	<p>Q*2</p> 
<p>N*1</p> 	<p>O*1</p> 
<p>P*1</p> 	<p>allen wrenches</p> 



4

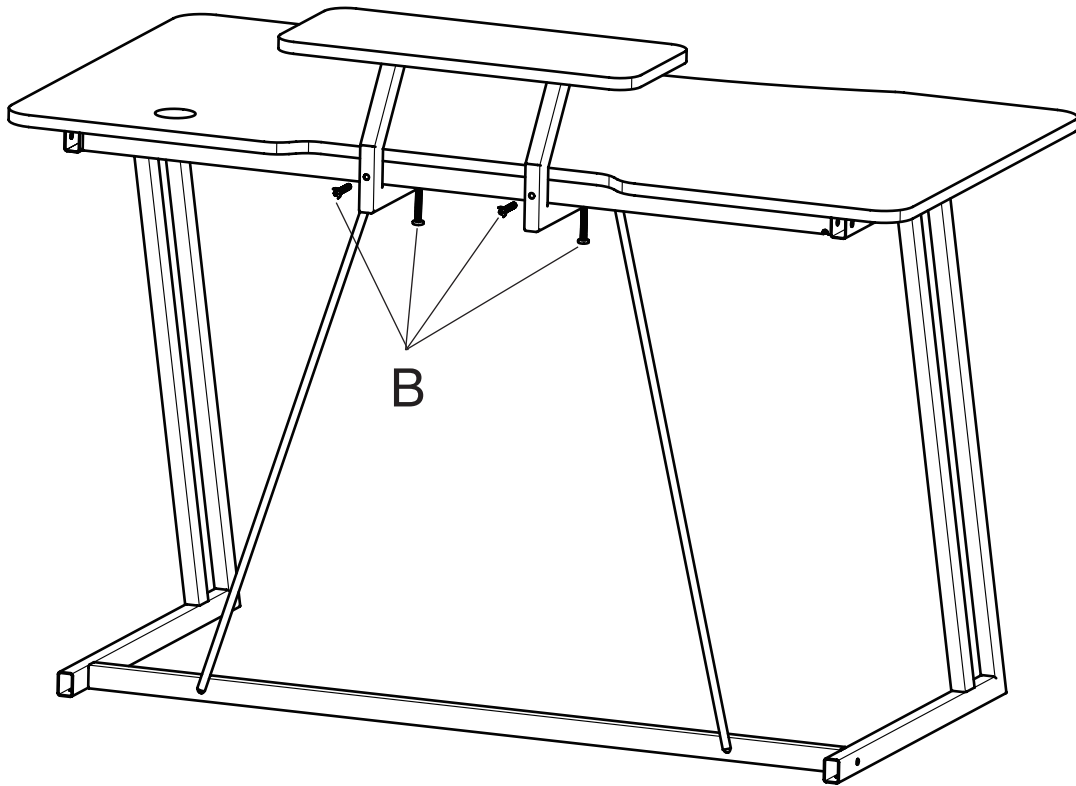


5





8



9

