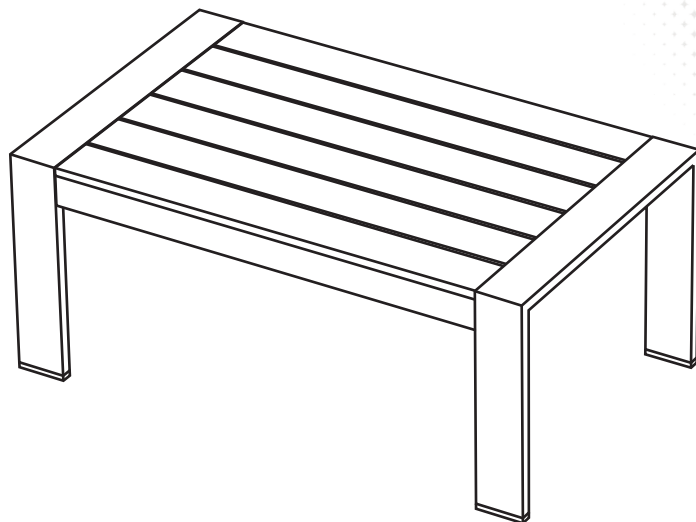



MANUAL INSTRUCTION

Aluminum coffee table



Aluminum coffee table

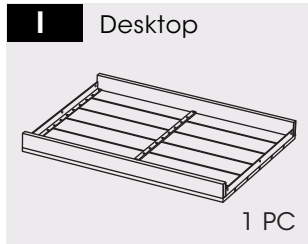
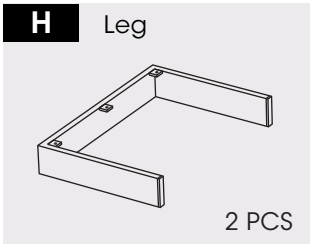
Reach us at:

 service@kmcglobe-us.com

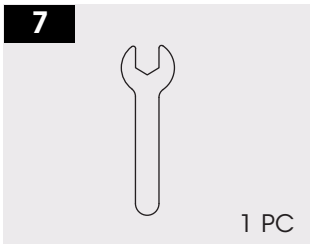
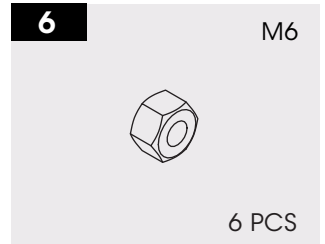
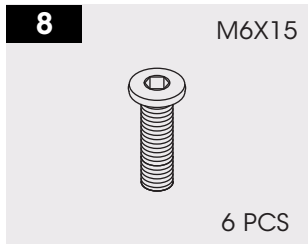
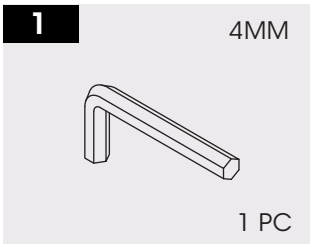
 (only us) +1 213-816-4788

We offer a diverse range of products to
meet the needs of customers.

PARTS







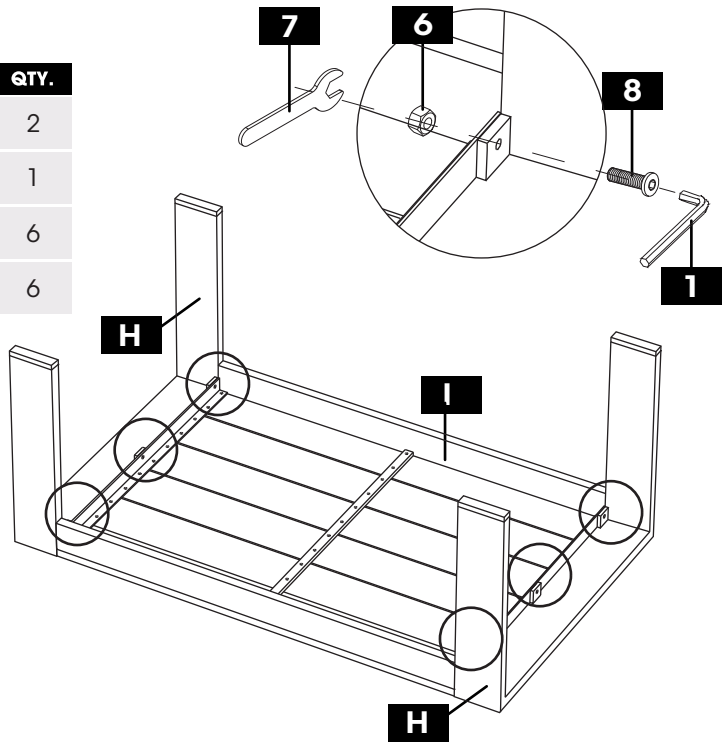
HARDWARE



PRODUCT ASSEMBLY

1 Step 1

| PART | NO. | QTY. |
|---|----------|------|
|  | H | 2 |
|  | I | 1 |
|  | 6 | 6 |
|  | 8 | 6 |



2 Step 2

