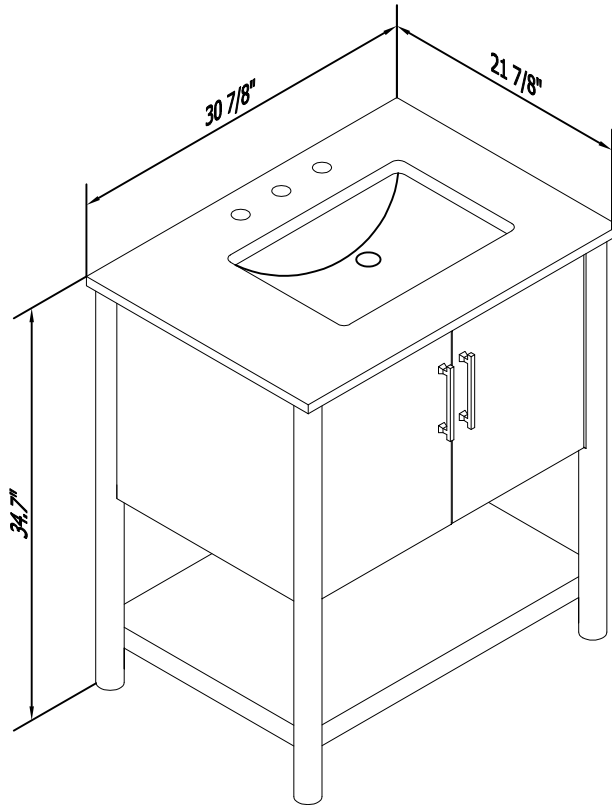


Bathroom vanity

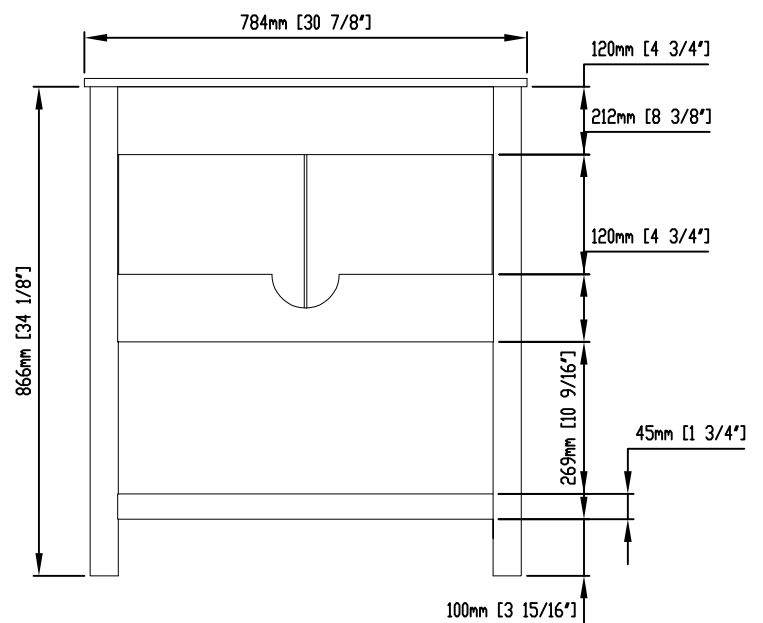
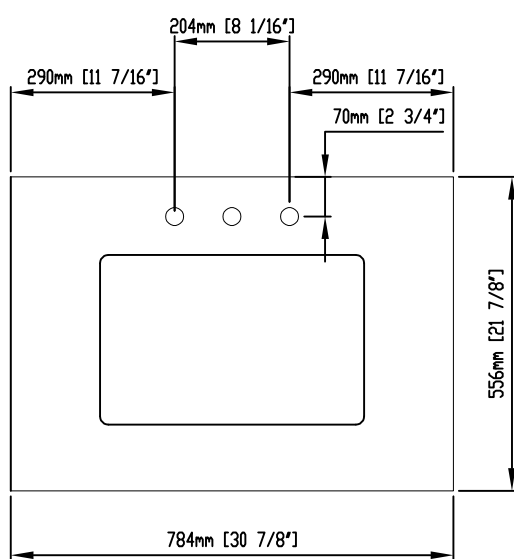
BATHROOM VANITY INSTALLATION INSTRUCTIONS

Model: **SY -BV009-V30 NA**

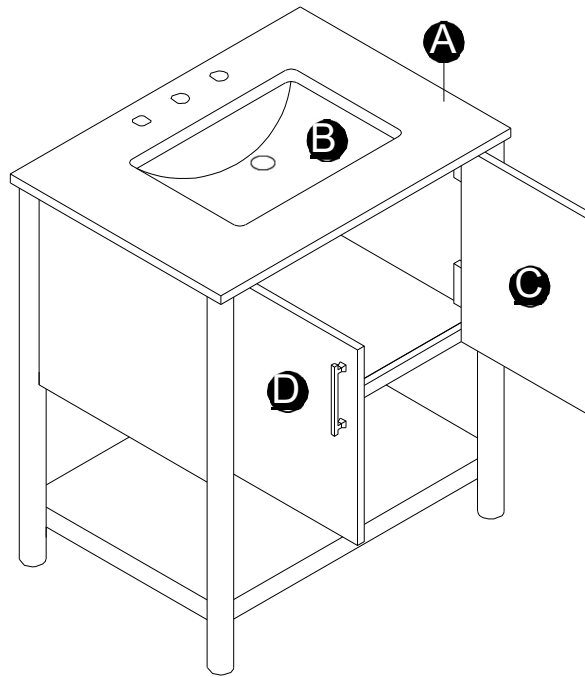


DIMENSIONS

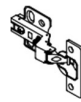
Please refer to the dimension diagrams for detailed measurements of the vanity and sink configuration.



PART LIST



E



F

PART	DESCRIPTIONS	QUANTITY
A	Countertop	1
B	Basin	1
C	Door (Left)	1
D	Door (Right)	1
E	Handle	2
F	Hinge	4

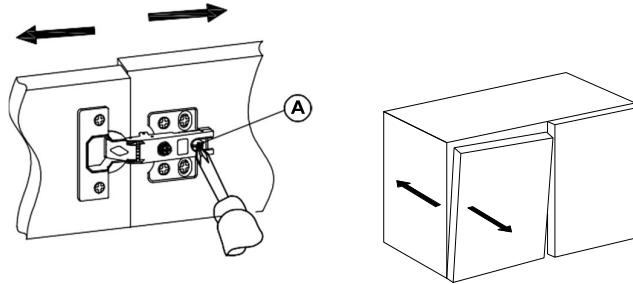
TOOLS REQUIRED (NOT INCLUDED)	
	Silicone sealant
	Pencil
	Screwdriver
	Level
	Measuring tape

HINGE ADJUSTMENT INSTRUCTIONS

Cabinet doors can be adjusted in **three directions** to achieve proper alignment.

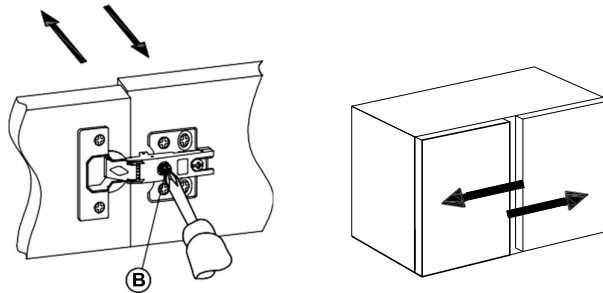
Depth Adjustment (In / Out)

Turn adjustment screw **(A)** to move the door **inward or outward**.



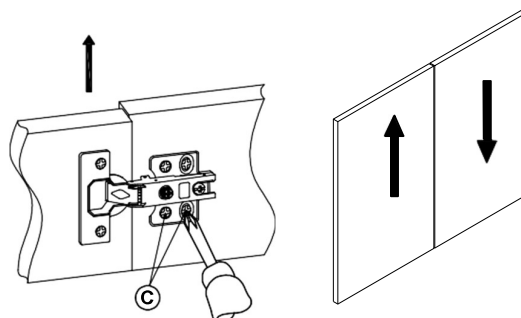
Side Adjustment (Left / Right)

Turn adjustment screw **(B)** to move the door **left or right**.



Height Adjustment (Up / Down)

Loosen screws at position **(C)**, adjust the door **up or down**, then re-tighten the screws.



Tip:
Make small adjustments and check the door alignment after each adjustment.

IMPORTANT SAFETY INFORMATION

- Do not fully tighten screws until all parts are properly aligned.
- Over-tightening hardware may damage the product.
- Professional installation is recommended if you are not familiar with plumbing connections.
- Keep all small parts away from children during assembly.