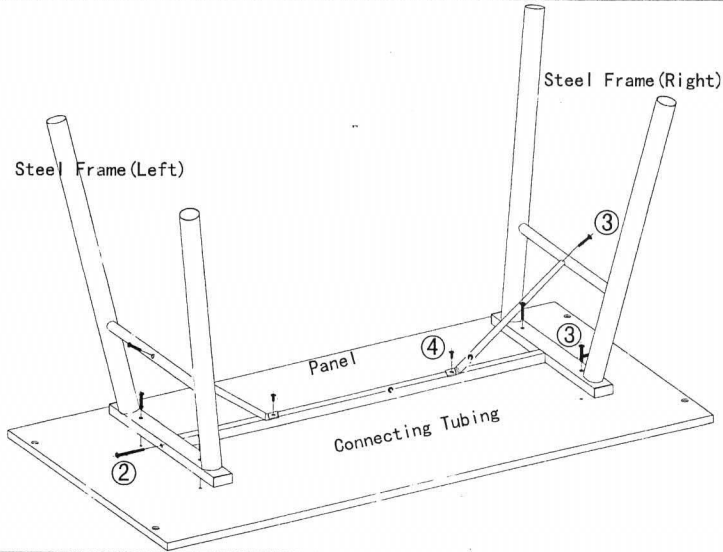
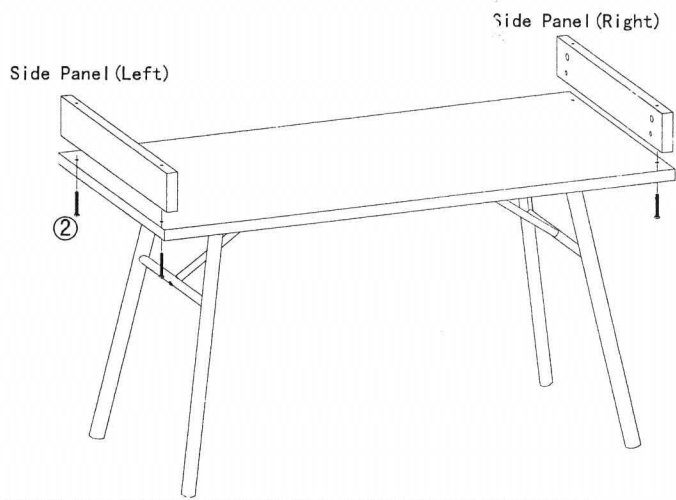


- | | | |
|---|--|-----------------------|
| ① | | x4 |
| ② | | M6X55 x6 |
| ③ | | M6X30 x6 |
| ④ | | M6X12 x2 |
| ⑤ | | Eccentric cover
x8 |
| | | |

1



2



3

