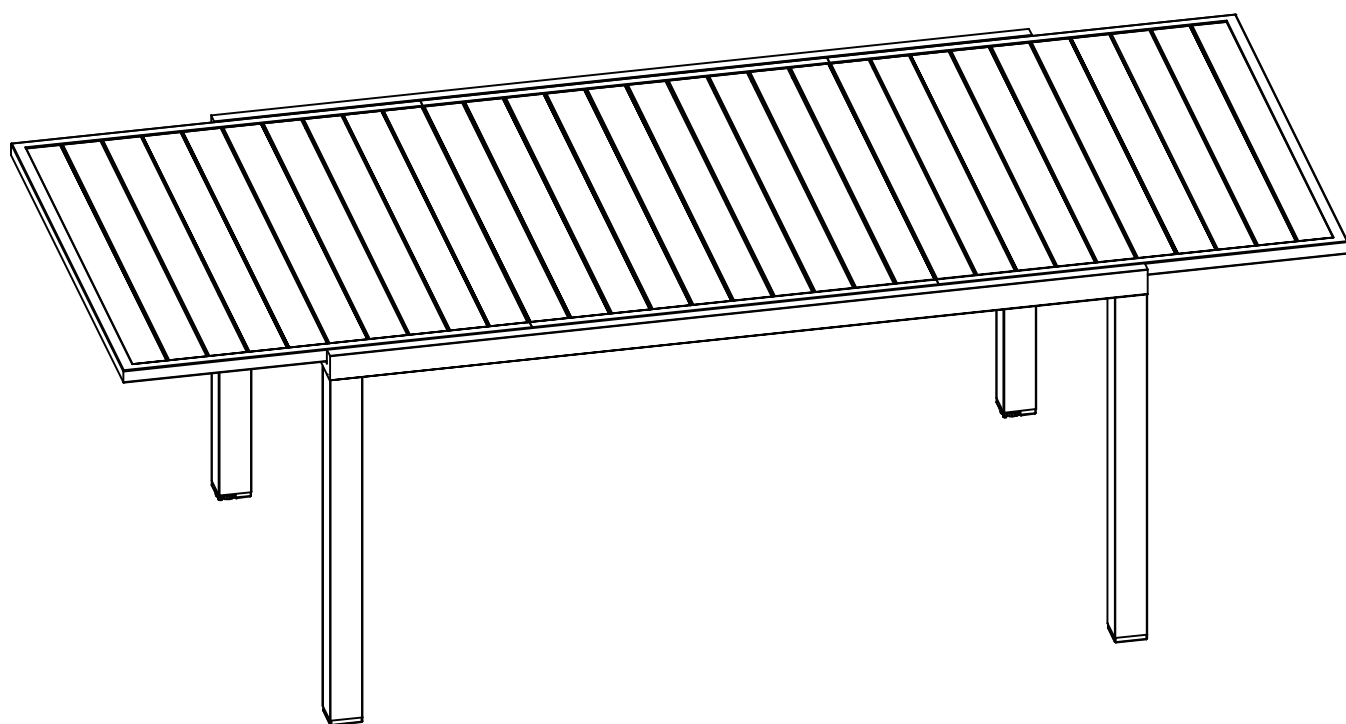
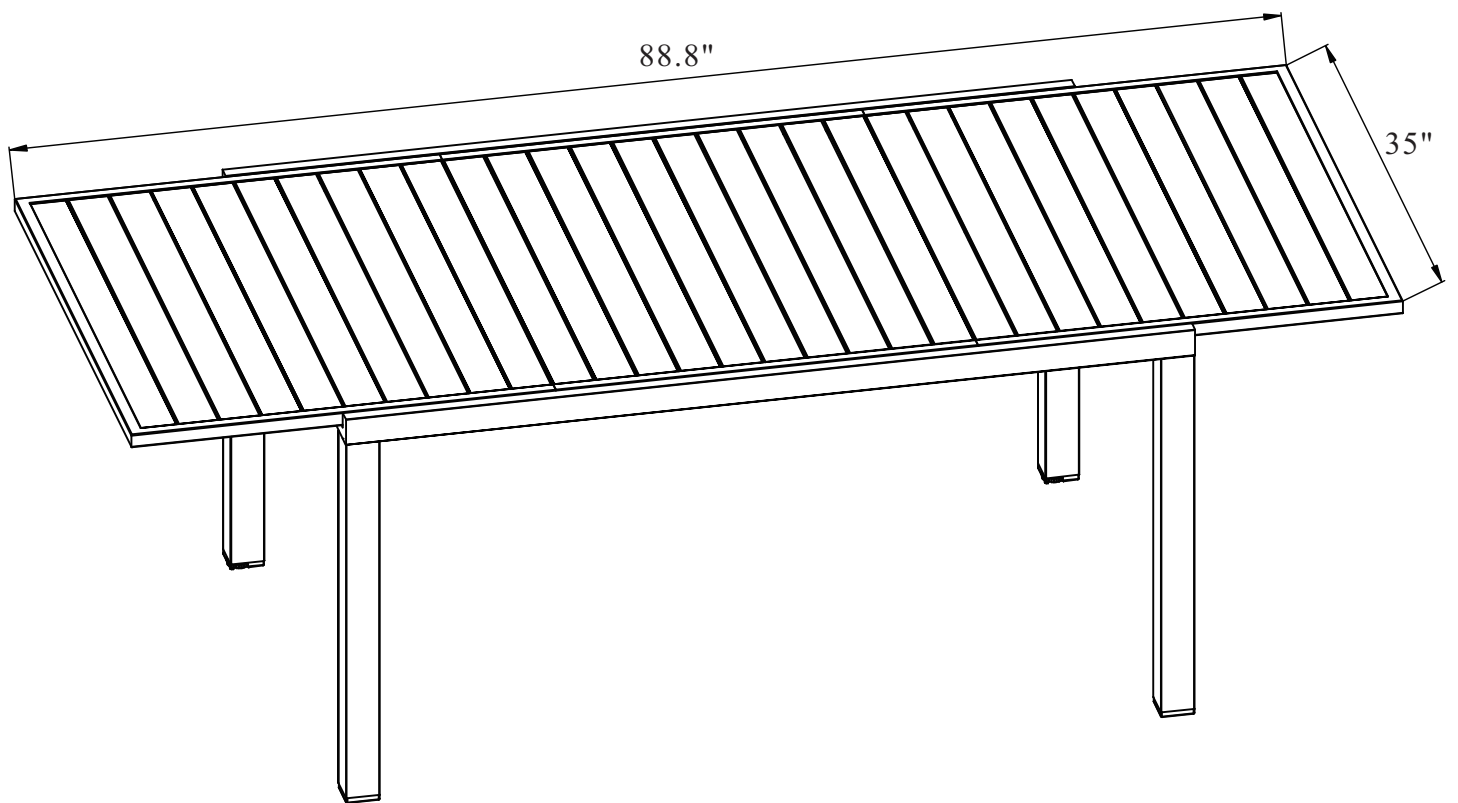
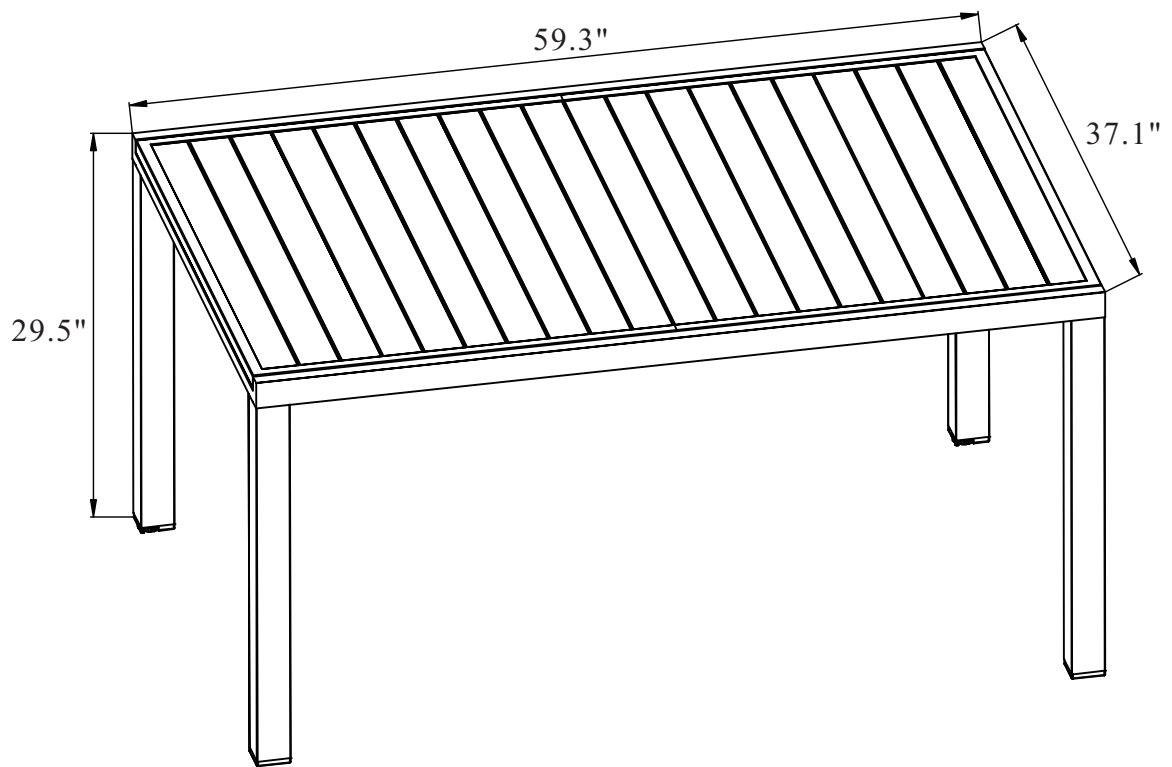
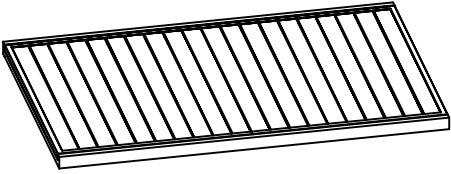




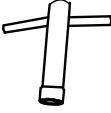



7.4'×3' Extendable Aluminum Dinning Table

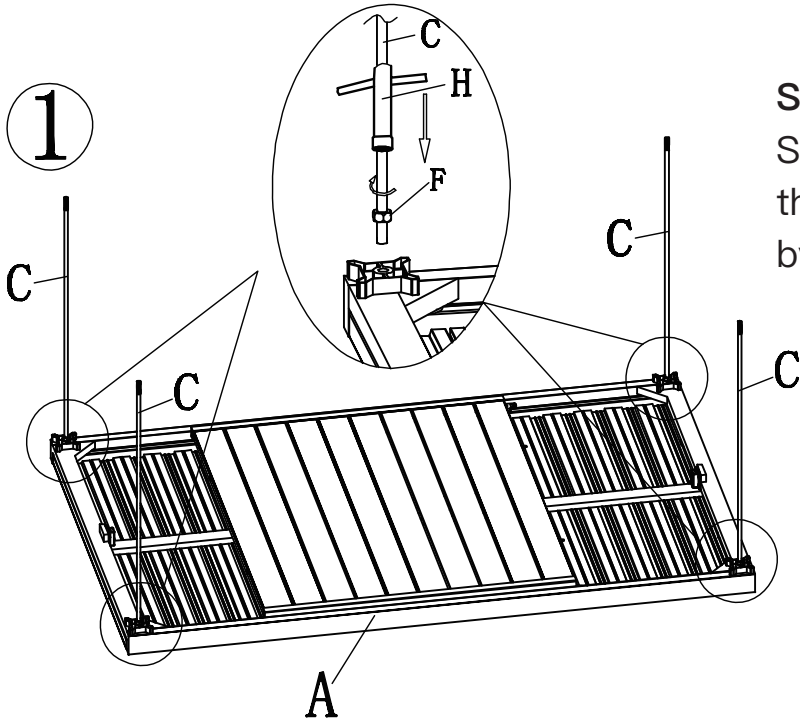
Assembly Instructions





				D 4PCS		F 8PCS	
A 1PC	B 4PCS	C 4PCS		E 4PCS			H 1PC

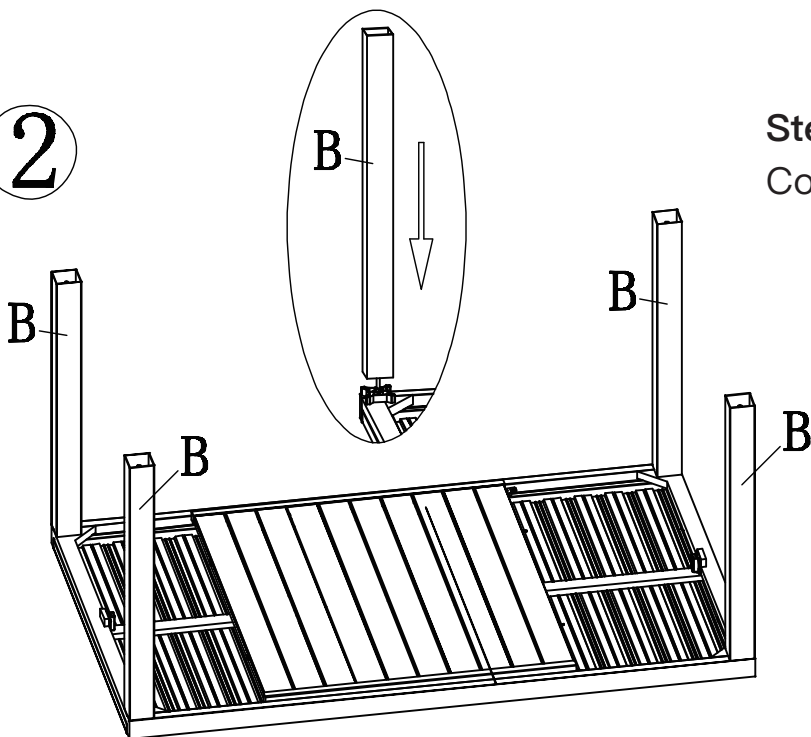
1



Step 1:

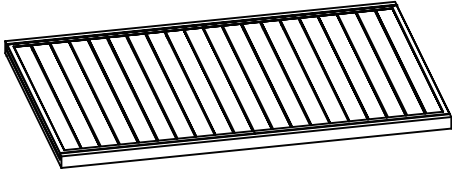




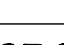

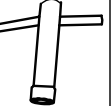
Screw part F (Nut) to part C, then assemble part C to part A(Desk) by Nut F using part H(Socket Wrench)

2

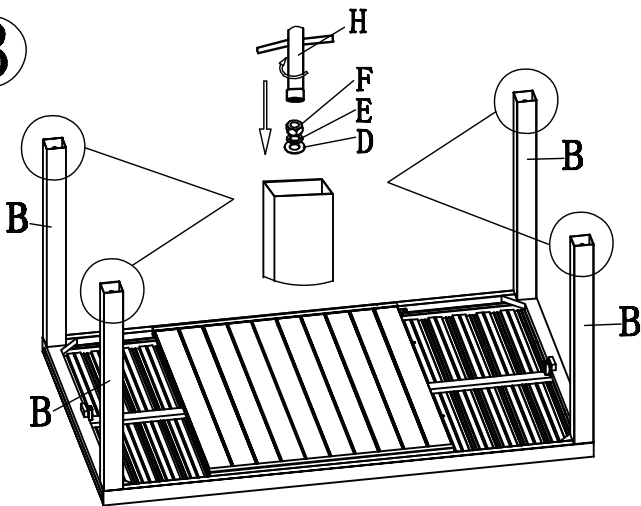


Step 2:

Cover part C with part B(Table Leg)

								
A	1PC	B 4PCS	C 4PCS	D 4PCS	E 4PCS	F 8PCS	G 4PCS	H 1PC

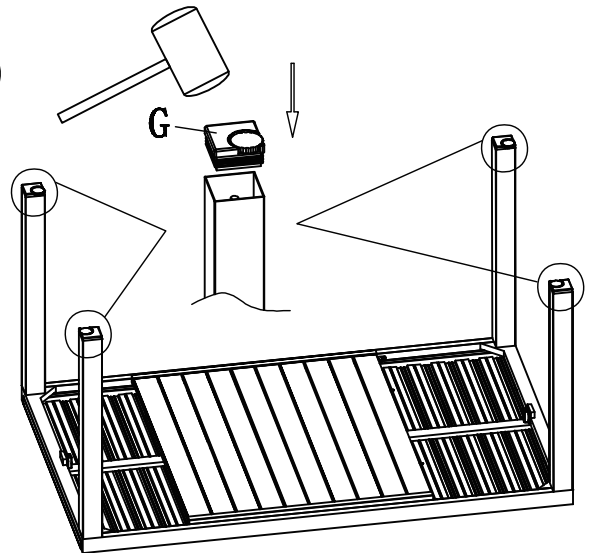
3



Step 3:

Put D(flat Washers) and E(Split Lock Washers) as shown in the diagram, Then lock part F(Nut) to part C using part H (Socket Wrench)

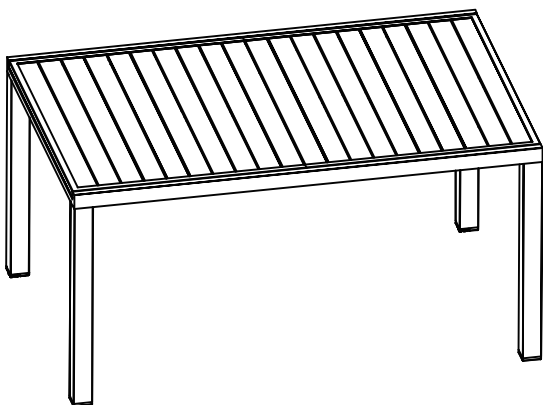
4



Step 4:

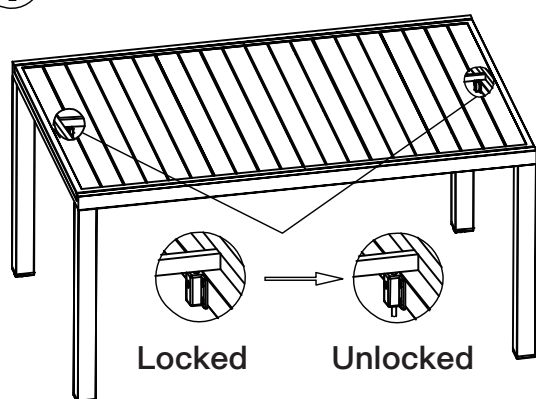
Knock part G (Foot pad) into part B using a hammer as shown in the diagram. (Hammer is not included)

5



How to use the Extendable Table?

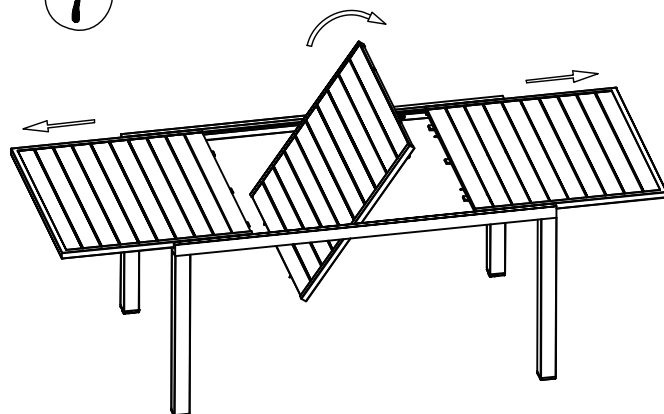
6



Step 6:

Press the button under the table to unlock it as shown in the diagram.

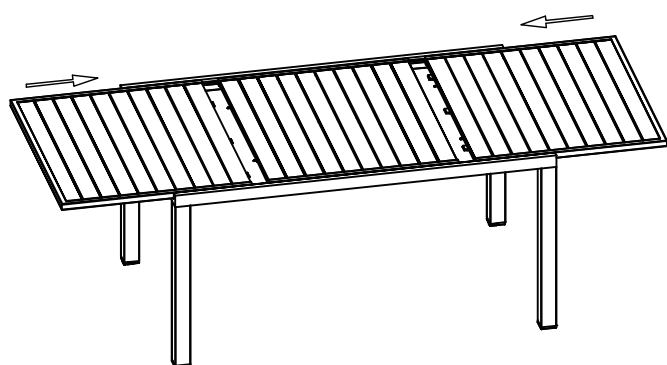
7



Step 7:

Pull and flip the desktop as shown in the diagram.

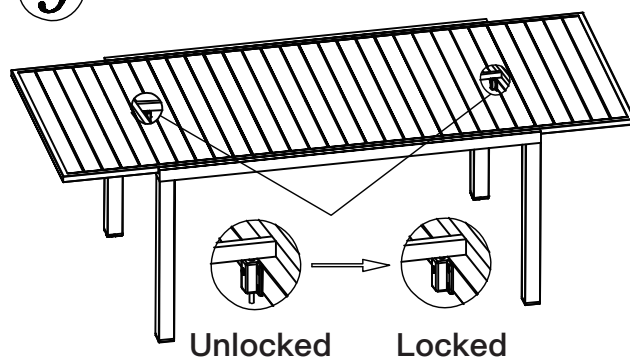
8



Step 8:

Close the desktop on both sides as shown in the diagram.

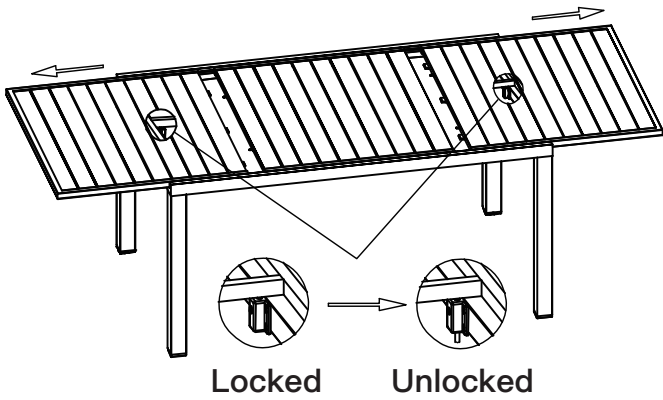
9



Step 9:

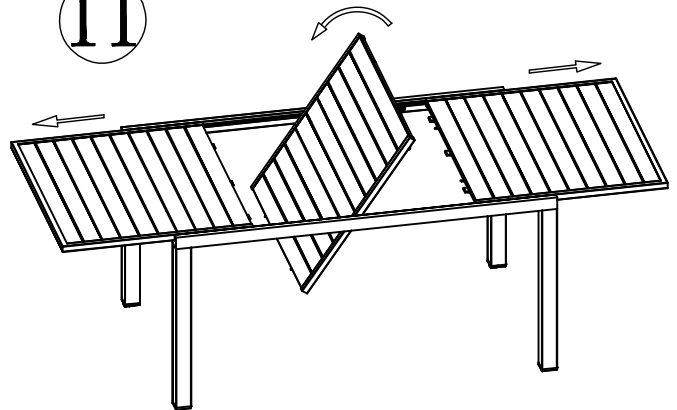
Lock the table as shown in the diagram.

10



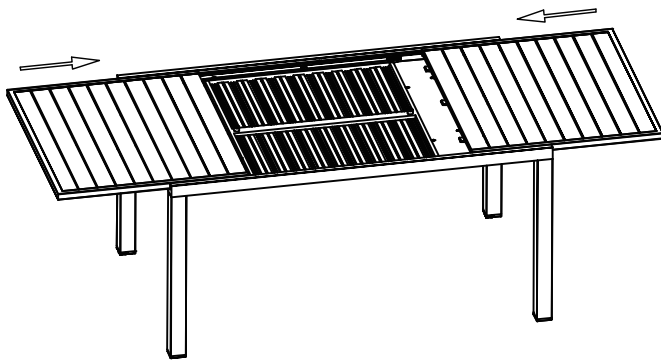
Step 10:
Press the button under the table to unlock it.

11



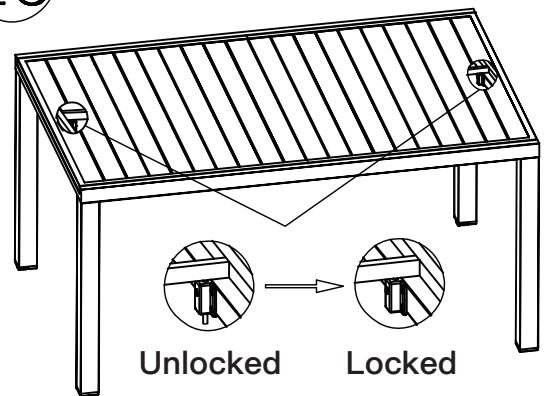
Step 11:
Pull and flip the desktop as shown in the diagram.

12



Step 12:
Close the desktop on both sides as shown in the diagram.

13



Step 13:
Lock the table as shown in the diagram.