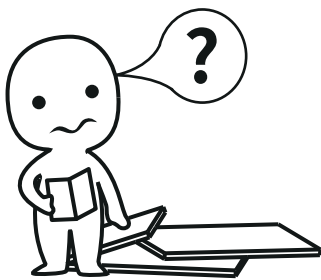


# **INSTALLATION**

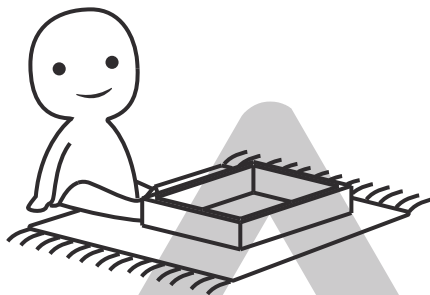
## *Product Manual*

Version: 330093US-01-25A-XD



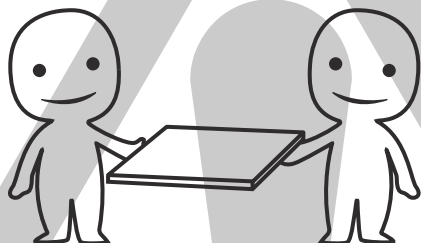
### **IMPORTANT INFORMATION!**

please read the entire manual before starting to assemble and/or using this product. follow the manual thoroughly and keep it for further reference.



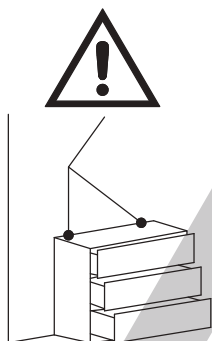
### **AVOID SCRATCHES!**

In order to avoid scratching this furniture should be assembled on a soft layer- could be a rug.



### **IMPROVE EFFICIENCY !**

Try to find a partner to install with you, which can speed up the installation efficiency and shorten the time.



### **ANTI-TOPPLE WARNING !**

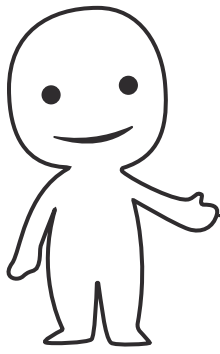
Overturnd furniture can cause serious or fatal crush injuries. To prevent tipping over, be sure to use the wall attachment, if not included with this product. Please purchase the wall attachment that fit your wall. If unsure, seek professional advice. Please read and follow each step of the instructions carefully.

### **IMPORTANT !**

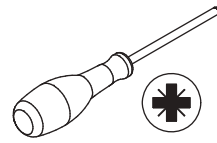
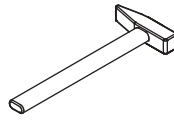
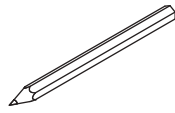
It is important that any product which is assembled using any kind of screw is re-tightened 2 weeks after assembly, and once every 3 months - in order to assure stability through-out the lifespan of the product.

For regular maintenance and cleaning of the product, for the frame, please use a rag dipped in neutral detergent to fully wipe it, and then dry it with a clean rag. For glass materials, wipe with a rag dampened with water glass cleaner, and then dry with a dry rag.

Do not use an electric screwdriver, and do not use too much force when installing, because the board is easy to break.

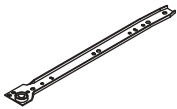


Please prepare the following tools



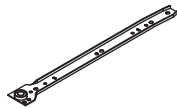
When installing, please carefully confirm whether each screw corresponds to the manual, accessories with similar shapes can be distinguished by size

Clx 3



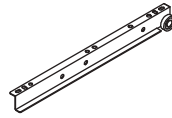
L 300 mm

CR x 3



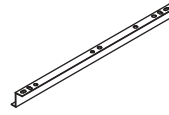
L 300 mm

DLx 3



L 300 mm

DRx 3



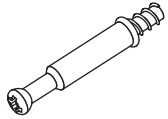
L 300 mm

E x 85+4



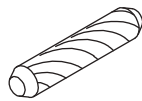
Ø3 x 12 mm

F x 43+4



Ø6 x 35 mm

G x 38+4



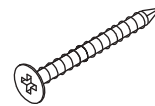
Ø8 x 30 mm

H x 43+4



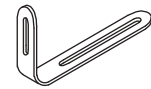
Ø15 x 10 mm

J x 27+3



Ø4 x 35 mm

K x 2



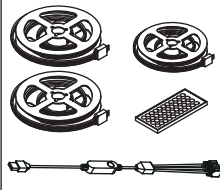
L x 6



M x 52+4



N x 1



P x 49+4



Q x 20+2



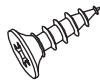
R x 10



S x 10

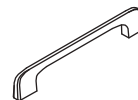


T x 122+4



Ø4 x 12 mm

U x 6

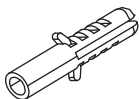


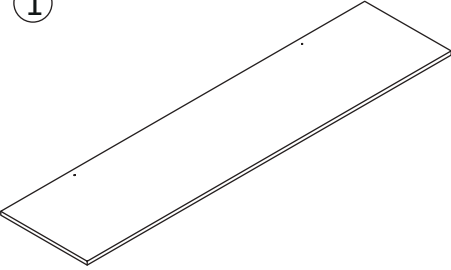


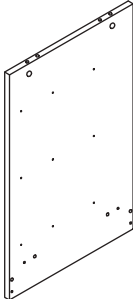
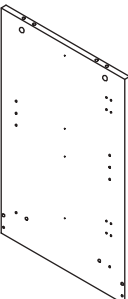

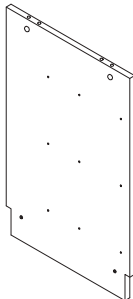
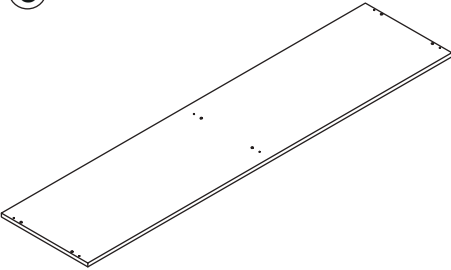
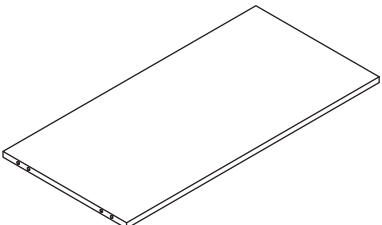
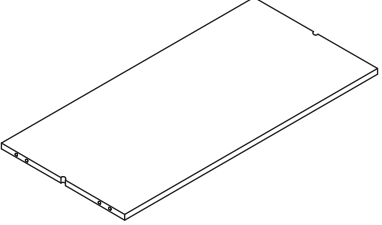
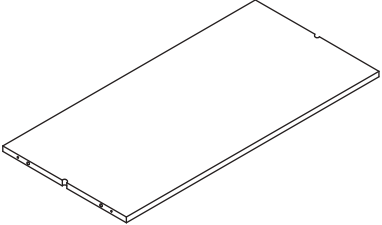
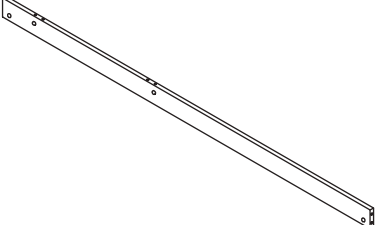
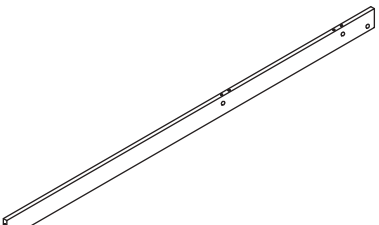


V x 18+2



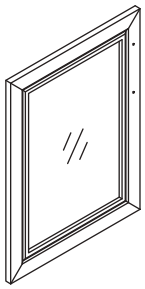
Ø4 x 18 mm

W x 2



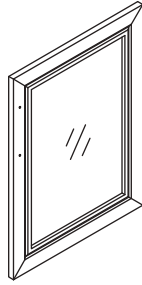
<p>①</p>  <p>1PC</p>	<p>②</p>  <p>1PC</p>	<p>③</p>  <p>1PC</p>
<p>④</p>  <p>1PC</p>	<p>⑤</p>  <p>1PC</p>	<p>⑥</p>  <p>1PC</p>
<p>⑦</p>  <p>1PC</p>	<p>⑧</p>  <p>1PC</p>	<p>⑨</p>  <p>1PC</p>
<p>⑩</p>  <p>1PC</p>	<p>⑪</p>  <p>1PC</p>	<p>⑫</p>  <p>1PC</p>
<p>⑬</p>  <p>1PC</p>	<p>⑭</p>  <p>2PCS</p>	<p>⑮</p>  <p>2PCS</p>
<p>4/32</p>		

16



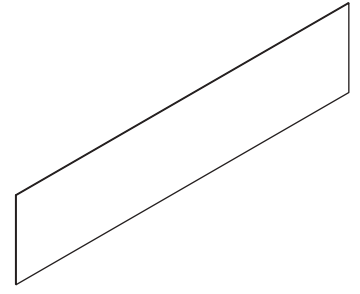
1PC

17



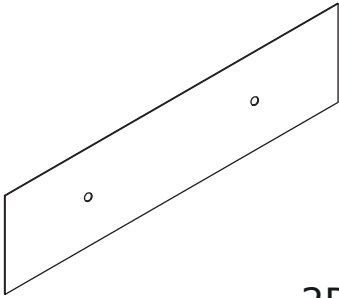
1PC

18



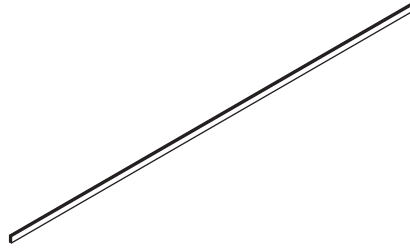
3PCS

19



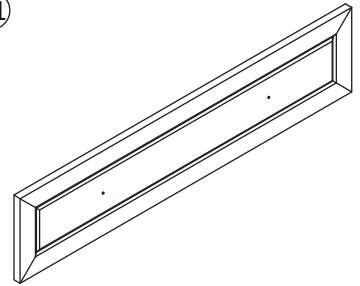
2PCS

20



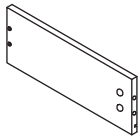
4PCS

21



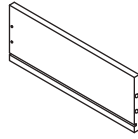
3PCS

22



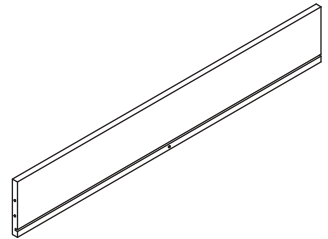
3PCS

23



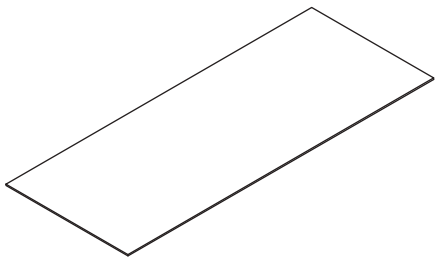
3PCS

24



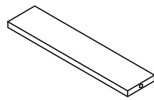
3PCS

25



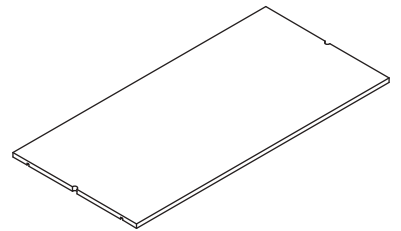
3PCS

26

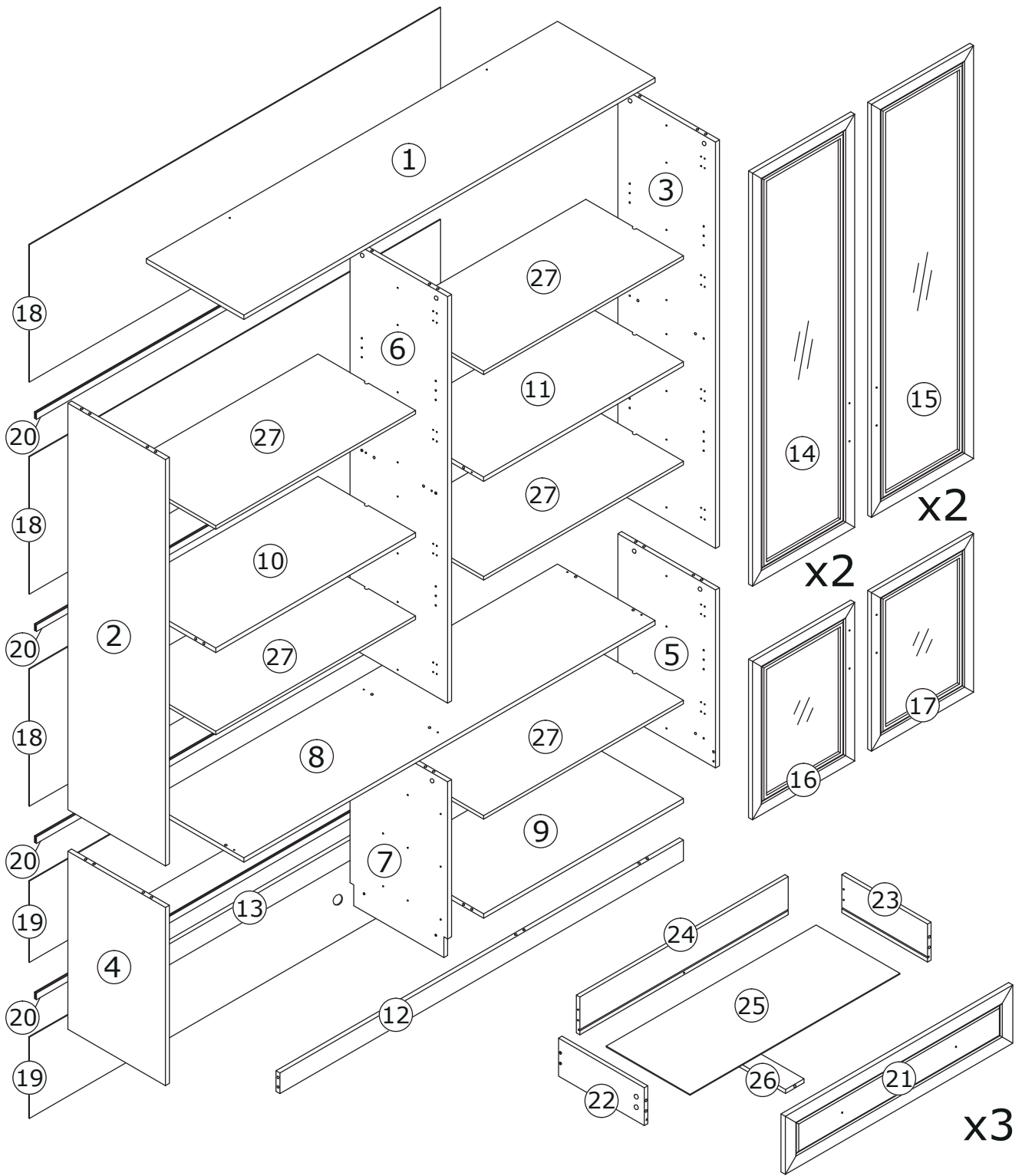


3PCS

27



5PCS



## ⚠ WARNING

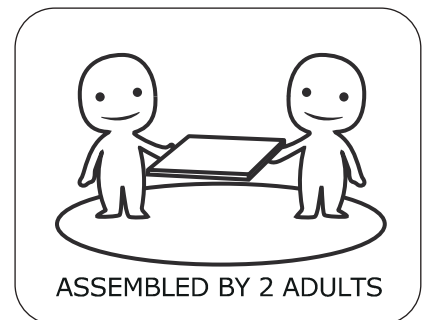


**Children have died from furniture tipover. To reduce the risk of furniture tipover:**

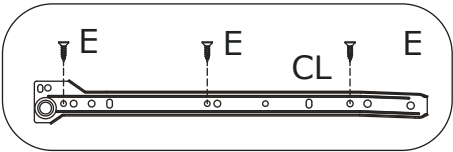
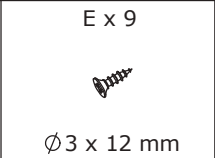
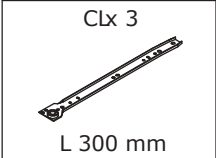
- ALWAYS install tipover restraint provided.
- NEVER put a TV on this product.
- NEVER allow children to stand, climb or hang on drawers, doors, or shelves.
- NEVER open more than one drawer at a time.
- Place heaviest items in the lowest drawers.



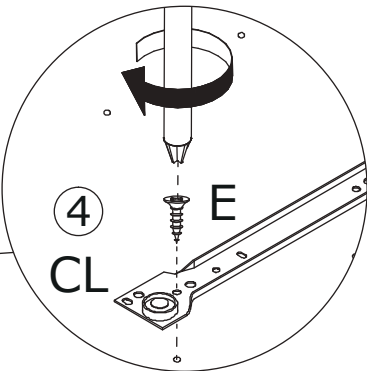
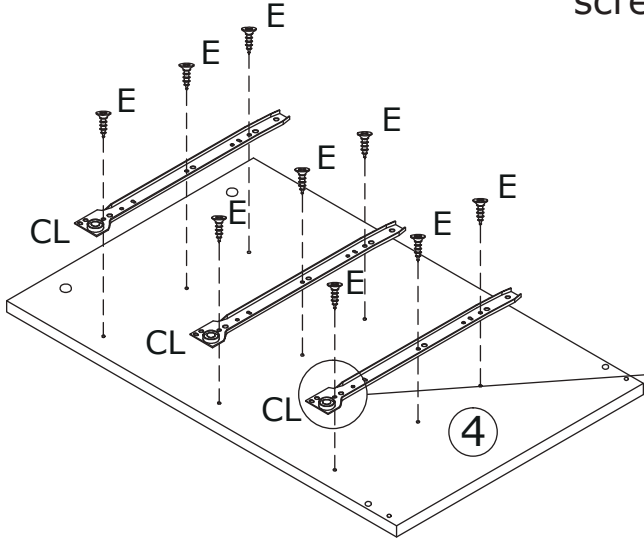
*This is a permanent label.  
Do not remove!*



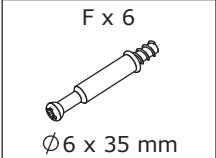
1



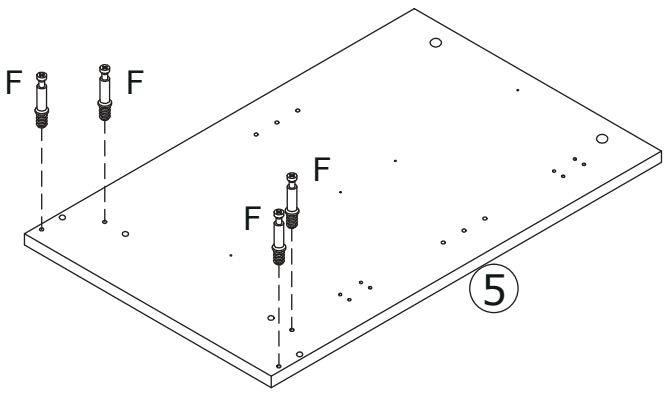
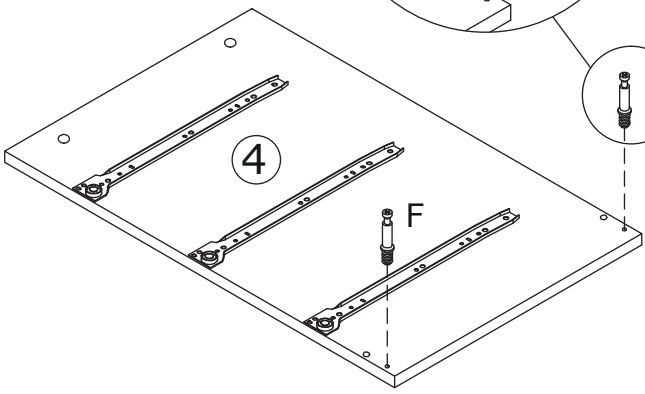
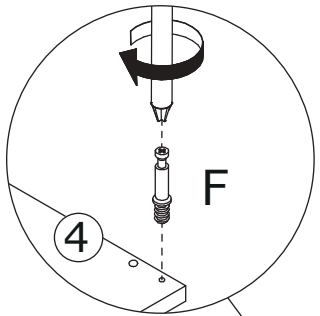
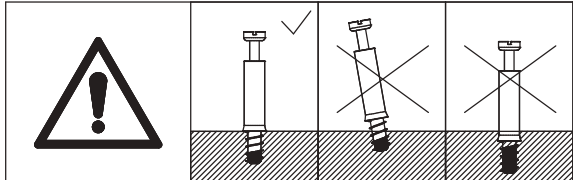
Fix rail(A) to board 4 with screw(E) as shown.



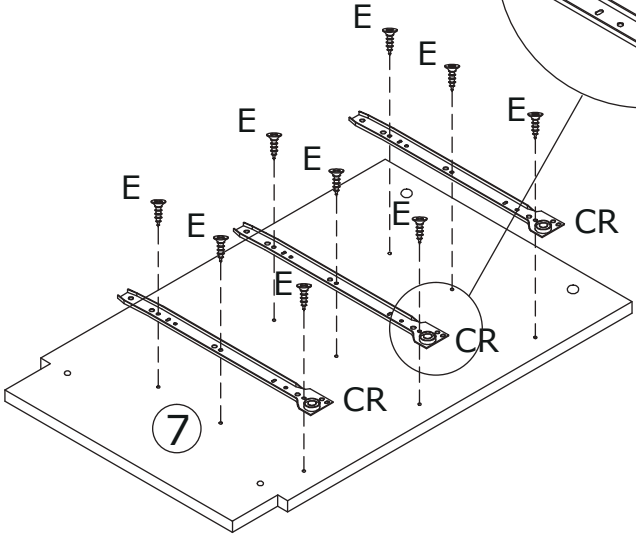
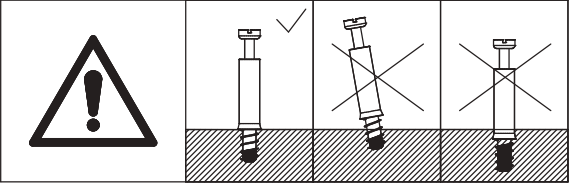
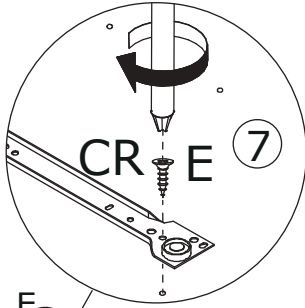
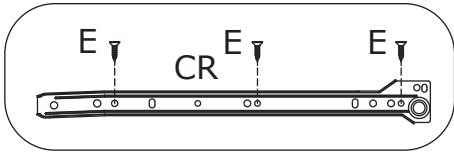
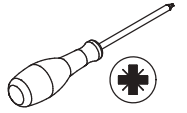
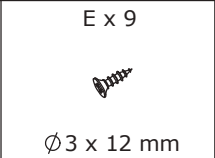
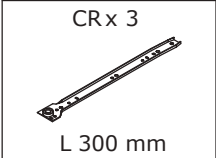
2



Screw eccentric rod(F) into board 4 and 5 as shown.

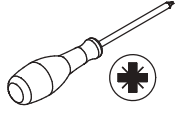
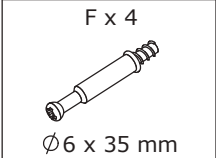


3

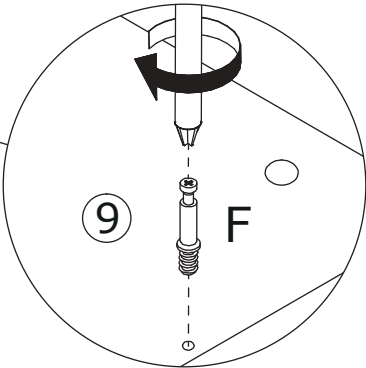
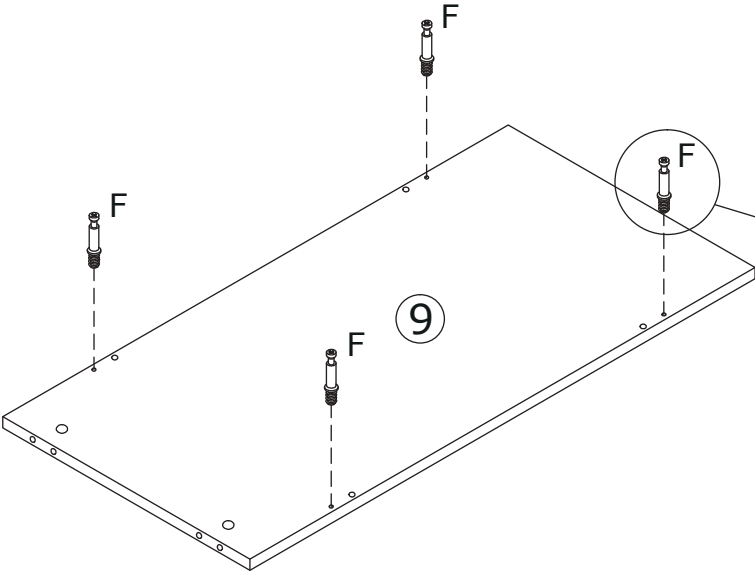
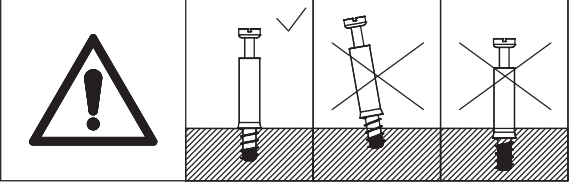


Fix rail(B) to board 7 with screw(E) at first.

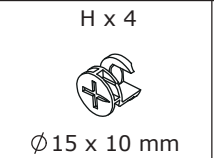
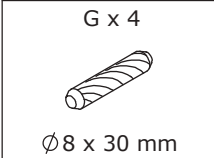
4



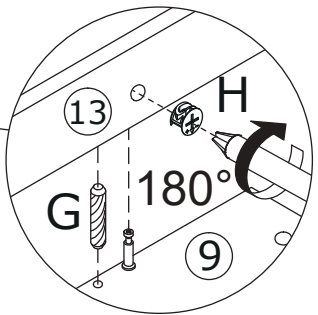
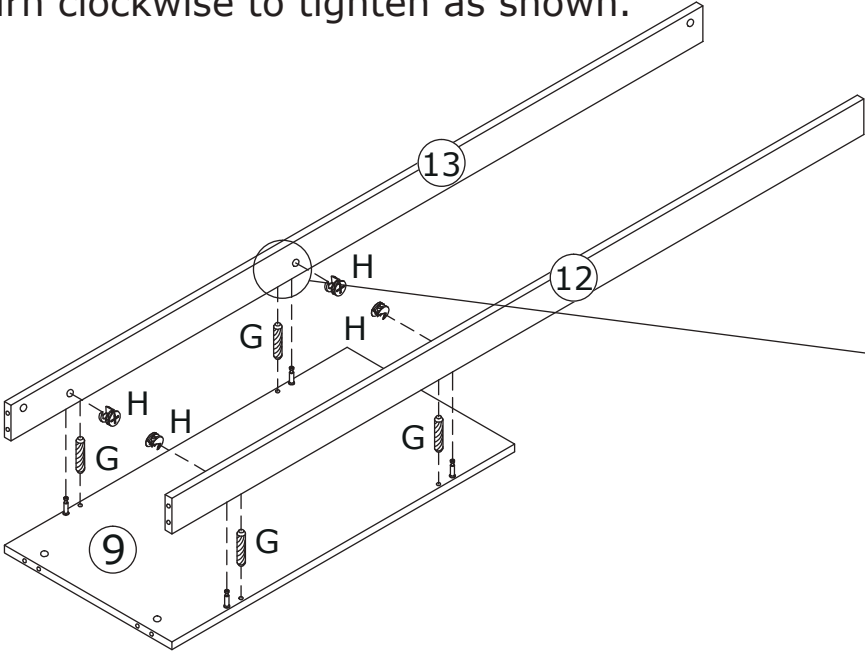
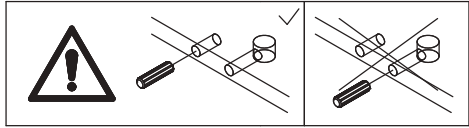
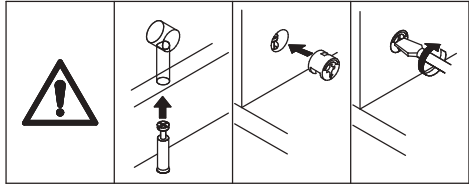
Screw eccentric rod(F) into board 9 as shown.



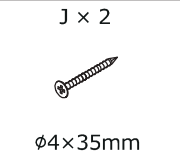
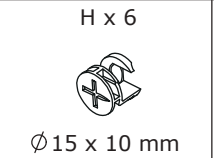
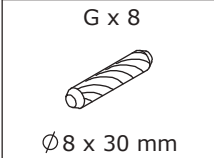
5



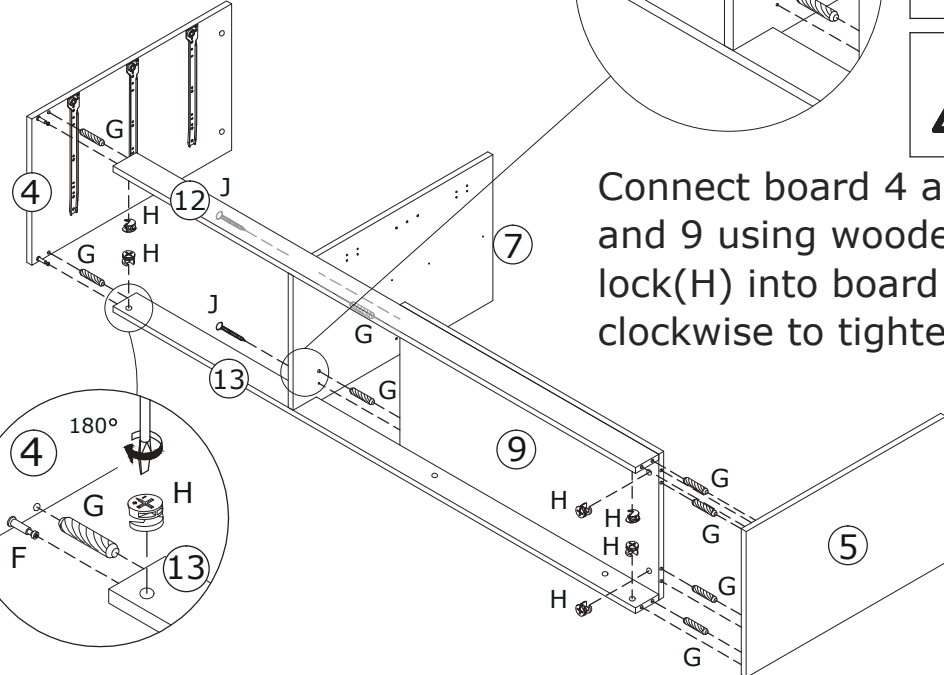
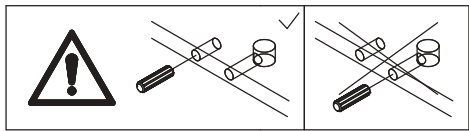
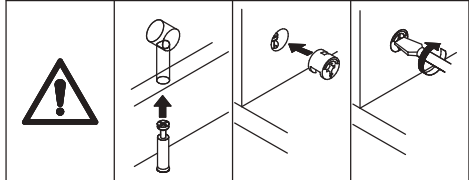
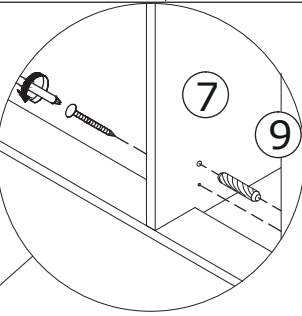
Attach board 12 and 13 to board 9 using wooden dowel(G), add cam lock(H) into board 12,13 and turn clockwise to tighten as shown.



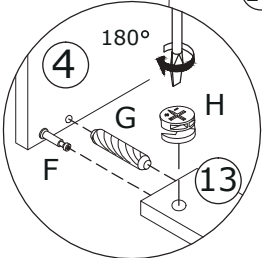
6



Attach board 7 to board 9 using wooden dowel(G), and fix with screw(J) as shown.

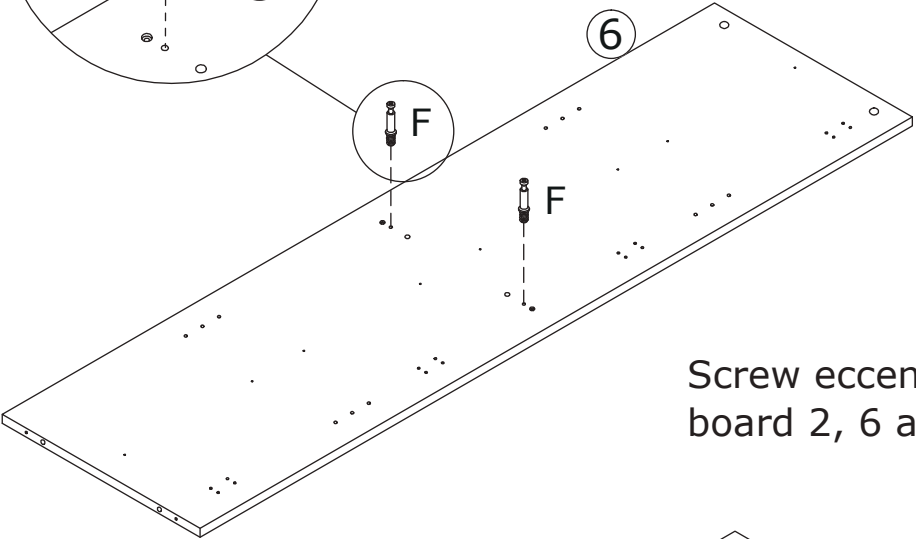
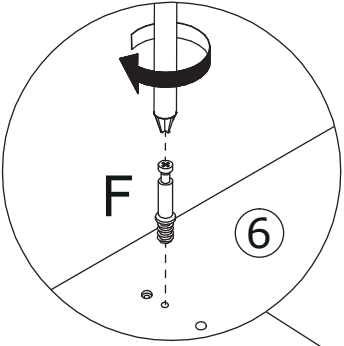
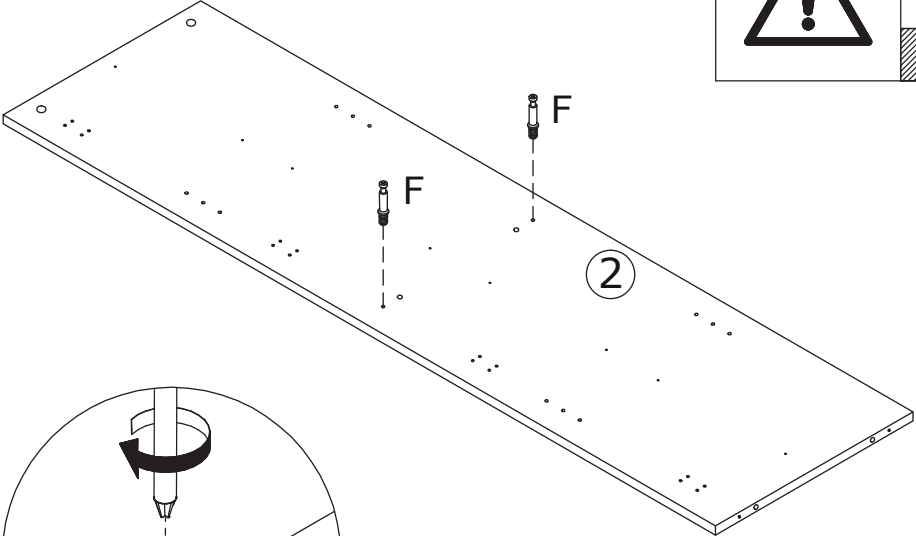
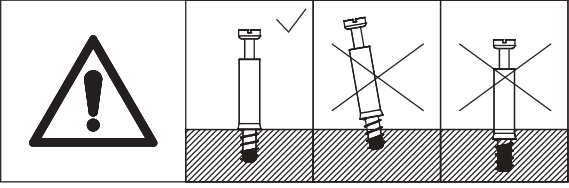
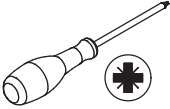


Connect board 4 and 5 to board 12, 13 and 9 using wooden dowel(G), add cam lock(H) into board 12,13,9 and turn clockwise to tighten as shown.

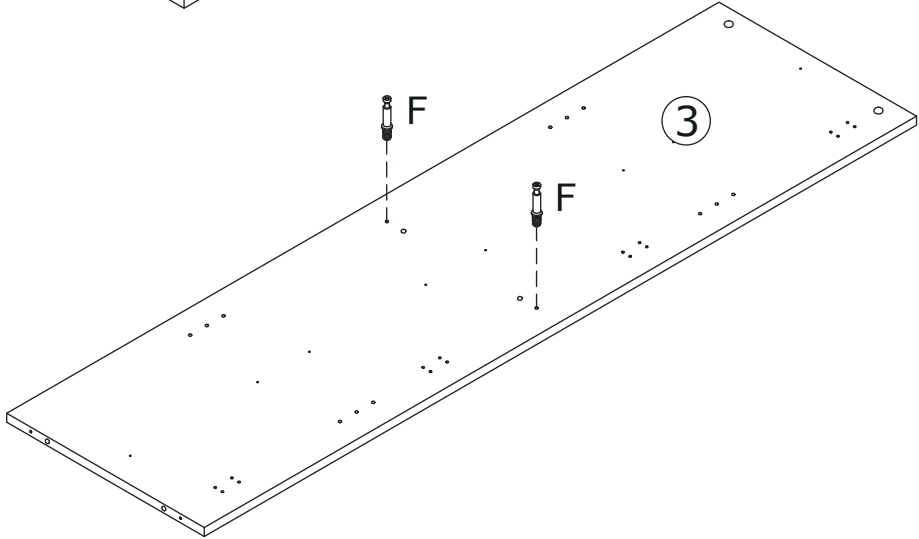


7

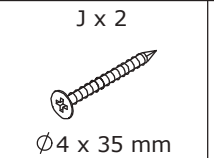
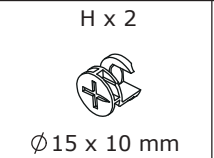
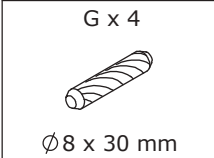
F x 6  
Ø6 x 35 mm



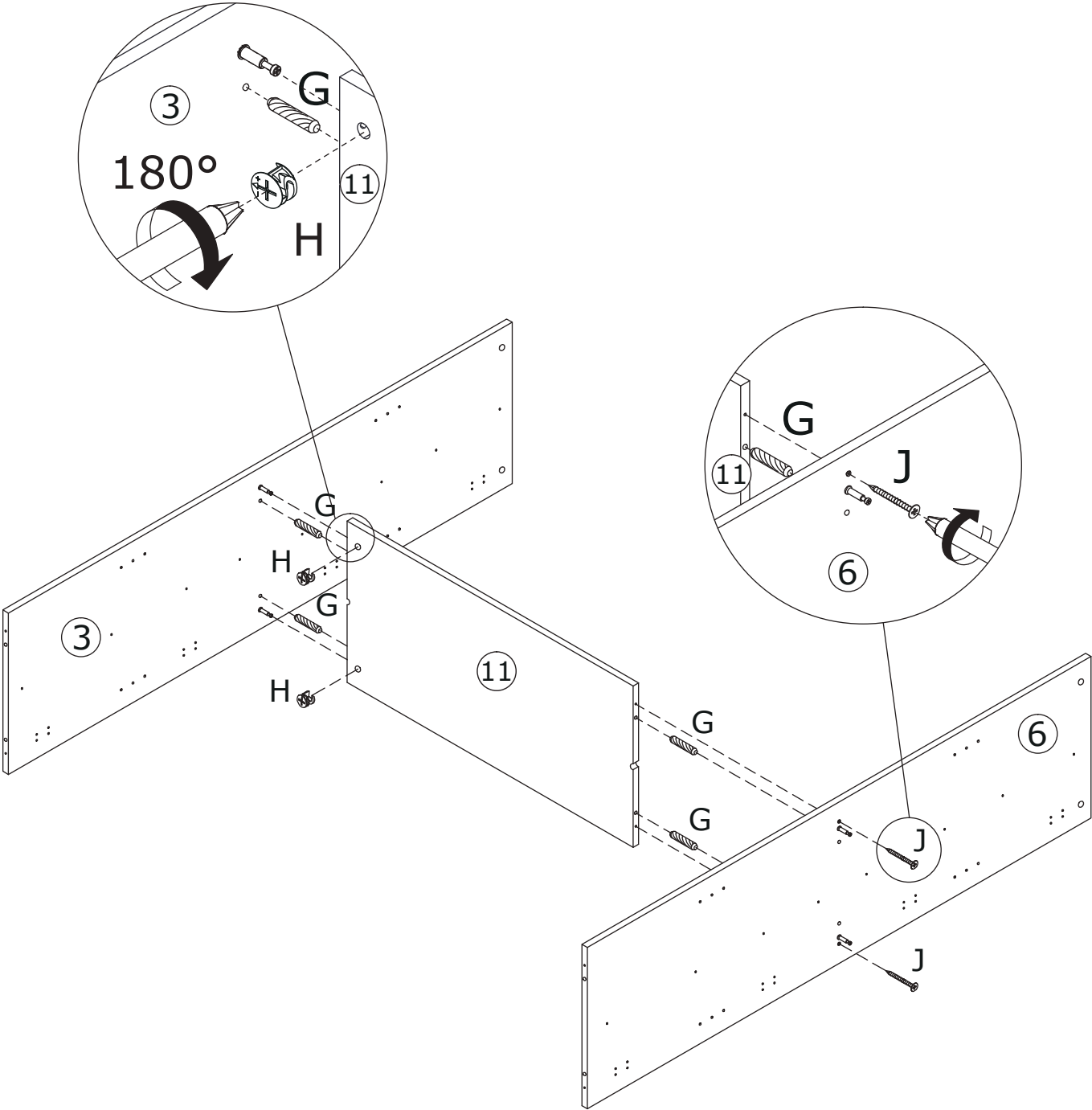
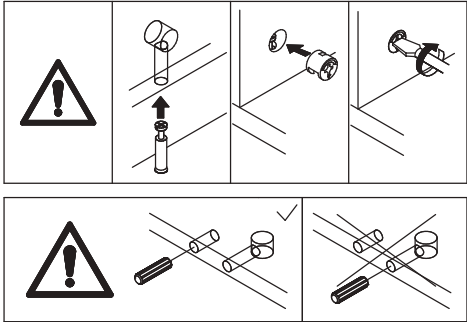
Screw eccentric rod(F) into board 2, 6 and 3 as shown.



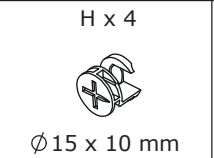
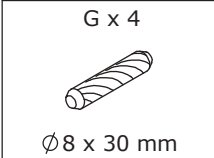
8



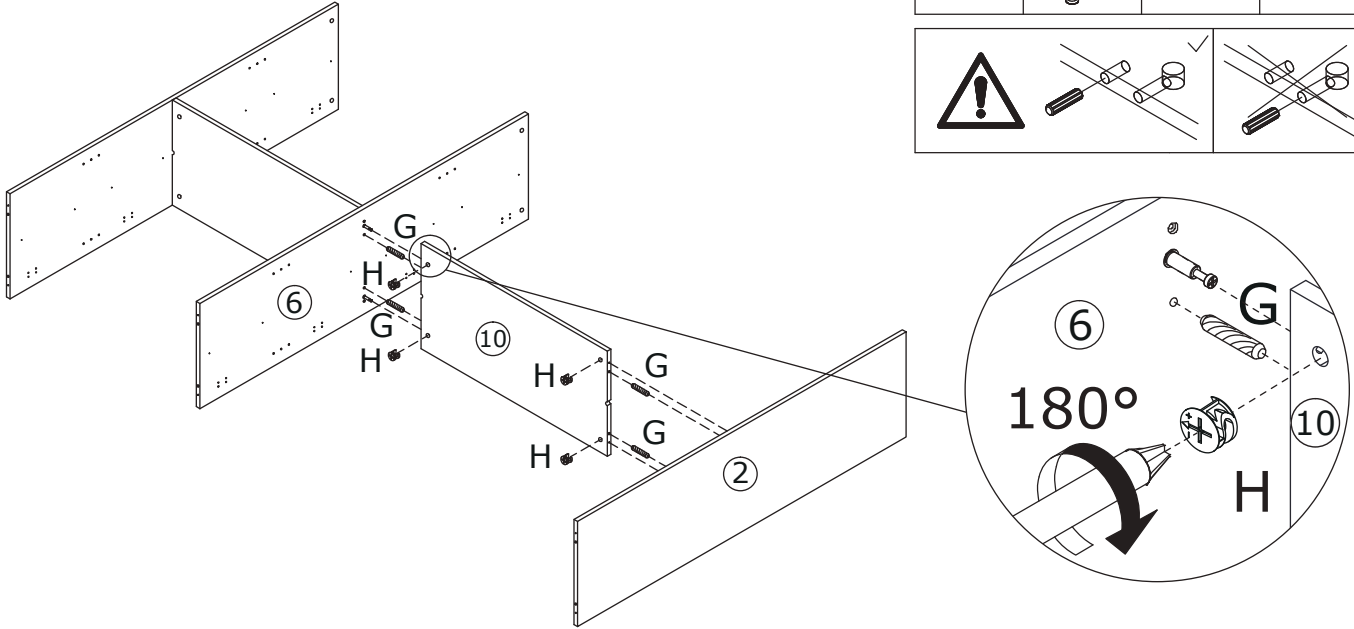
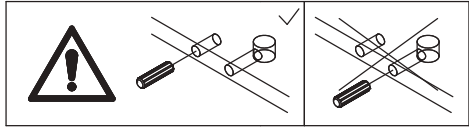
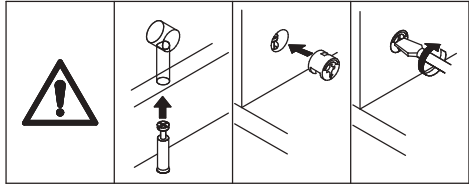
Attach board 3 to board 11 using wooden dowel(G), add cam lock(H) into board 11 and turn clockwise to tighten as shown. Attach board 6 to board 11 using wooden dowel(G), and fix with screw(J) as shown.



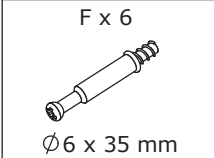
9



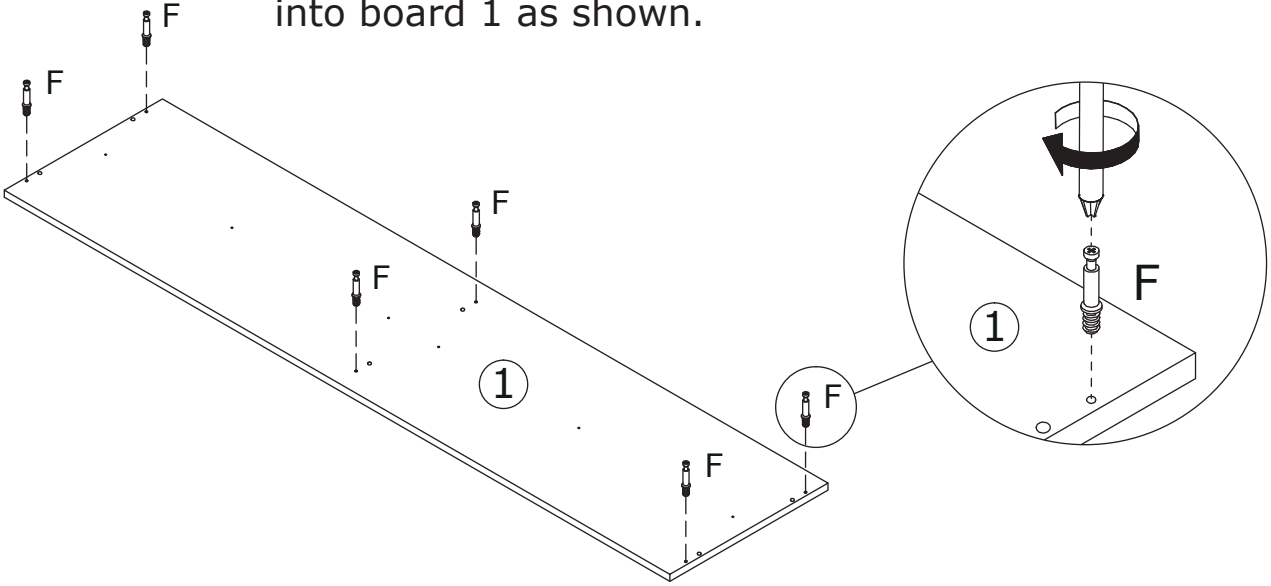
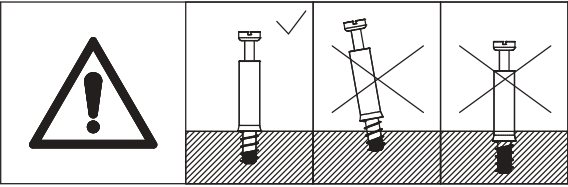
Connect board 2 and 6 to board 10 using wooden dowel(G), add cam lock(H) into board 10 and turn clockwise to tighten as shown.



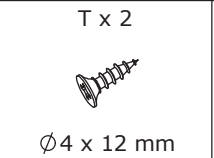
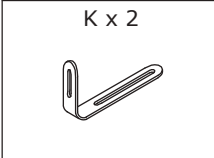
10



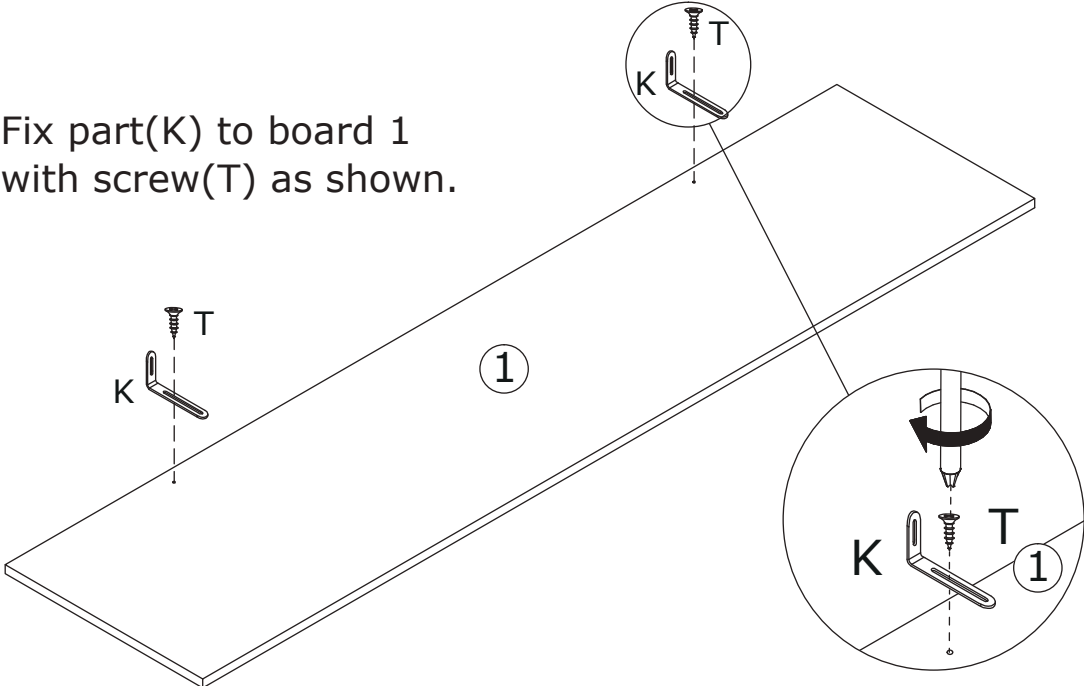
Screw eccentric rod(F) into board 1 as shown.



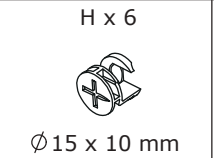
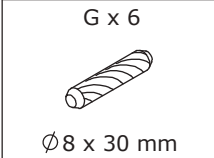
11



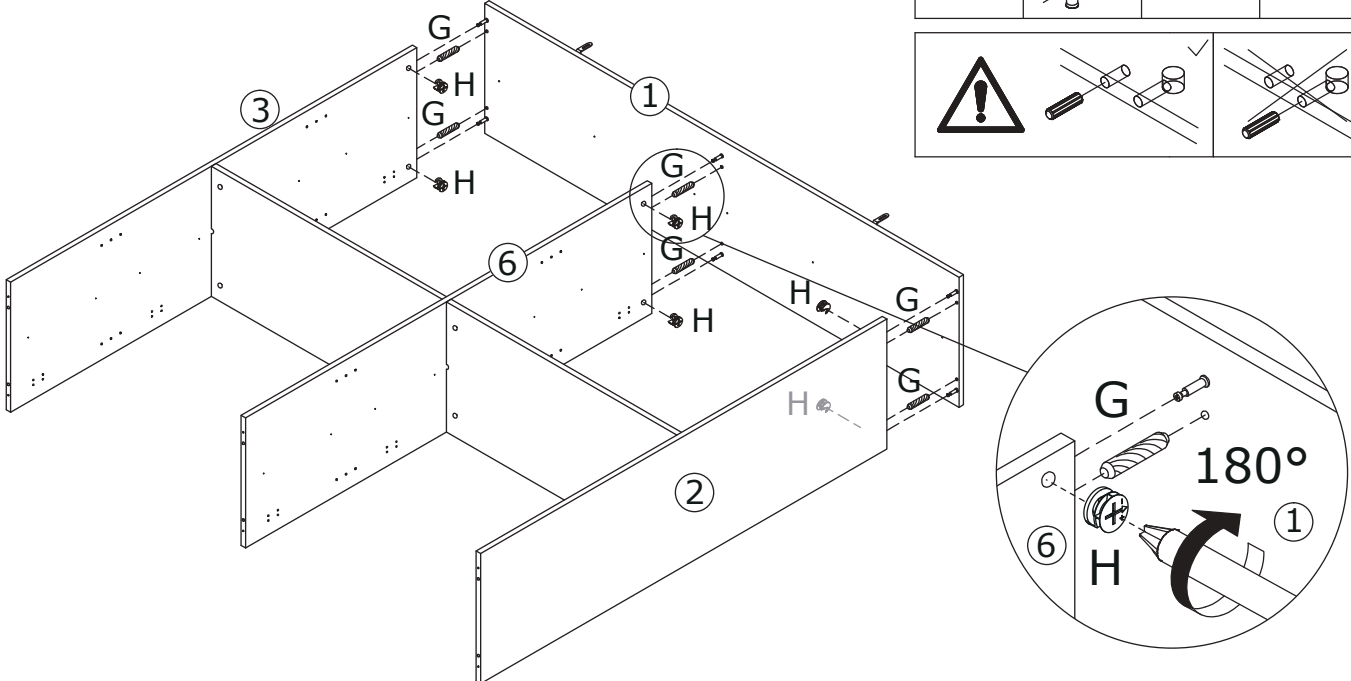
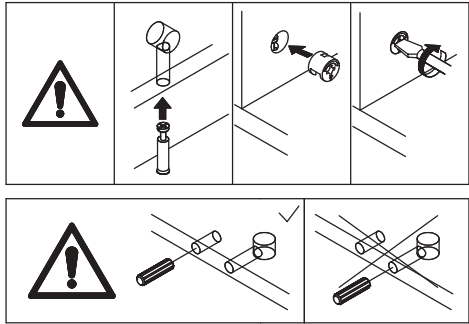
Fix part(K) to board 1 with screw(T) as shown.



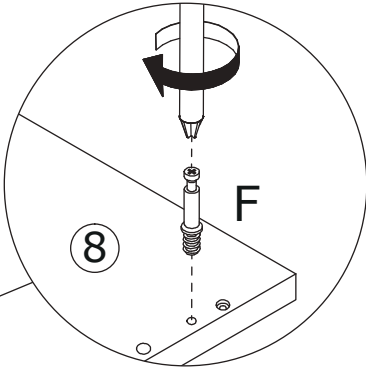
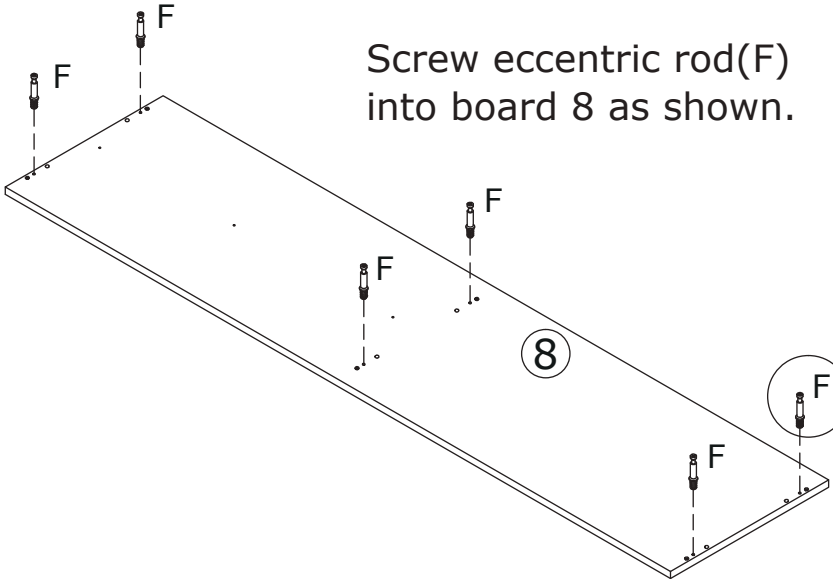
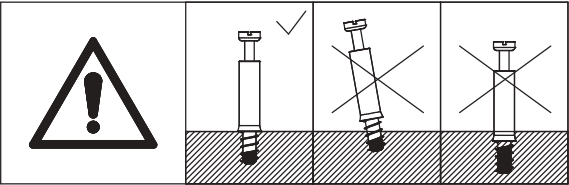
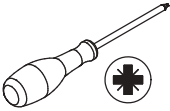
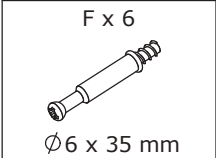
12



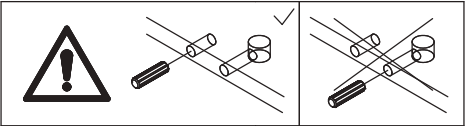
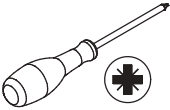
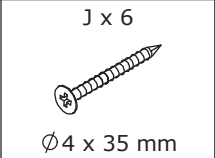
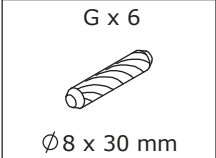
Attach board 1 to board 2, 6 and 3 using wooden dowel(G), add cam lock(H) into board 2,6,3 and turn clockwise to tighten as shown.



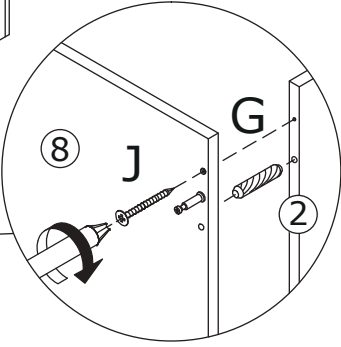
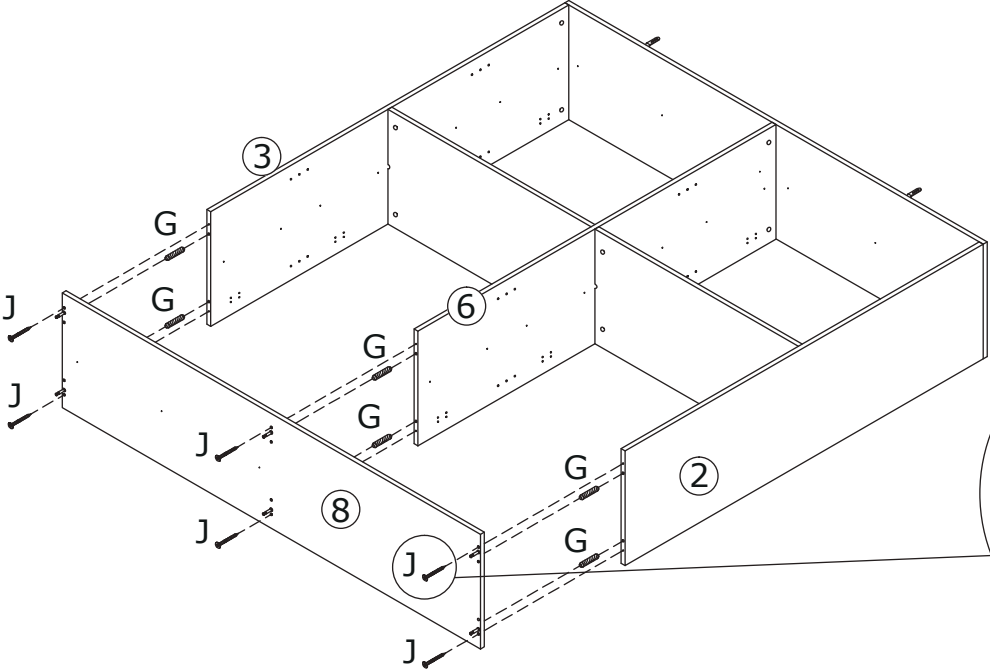
13



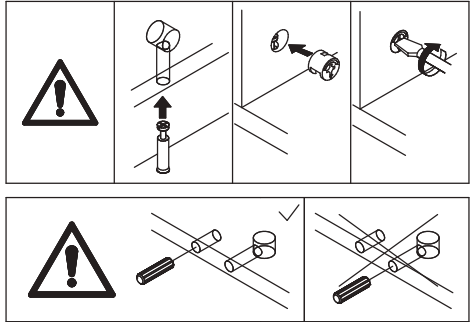
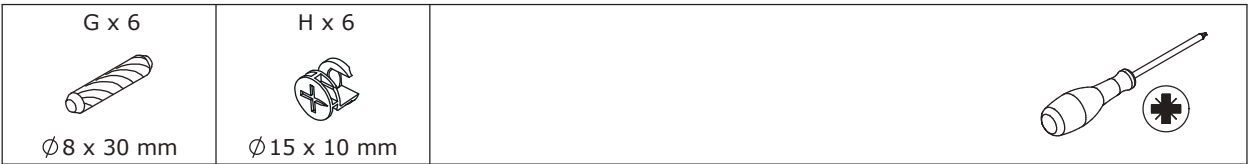
14



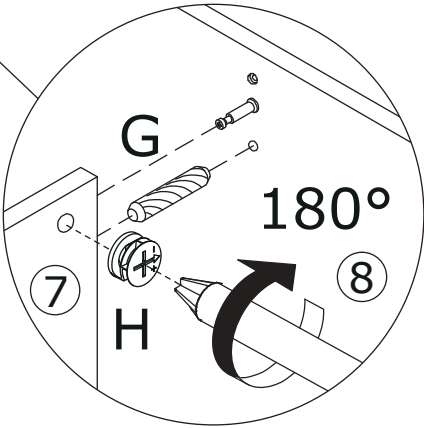
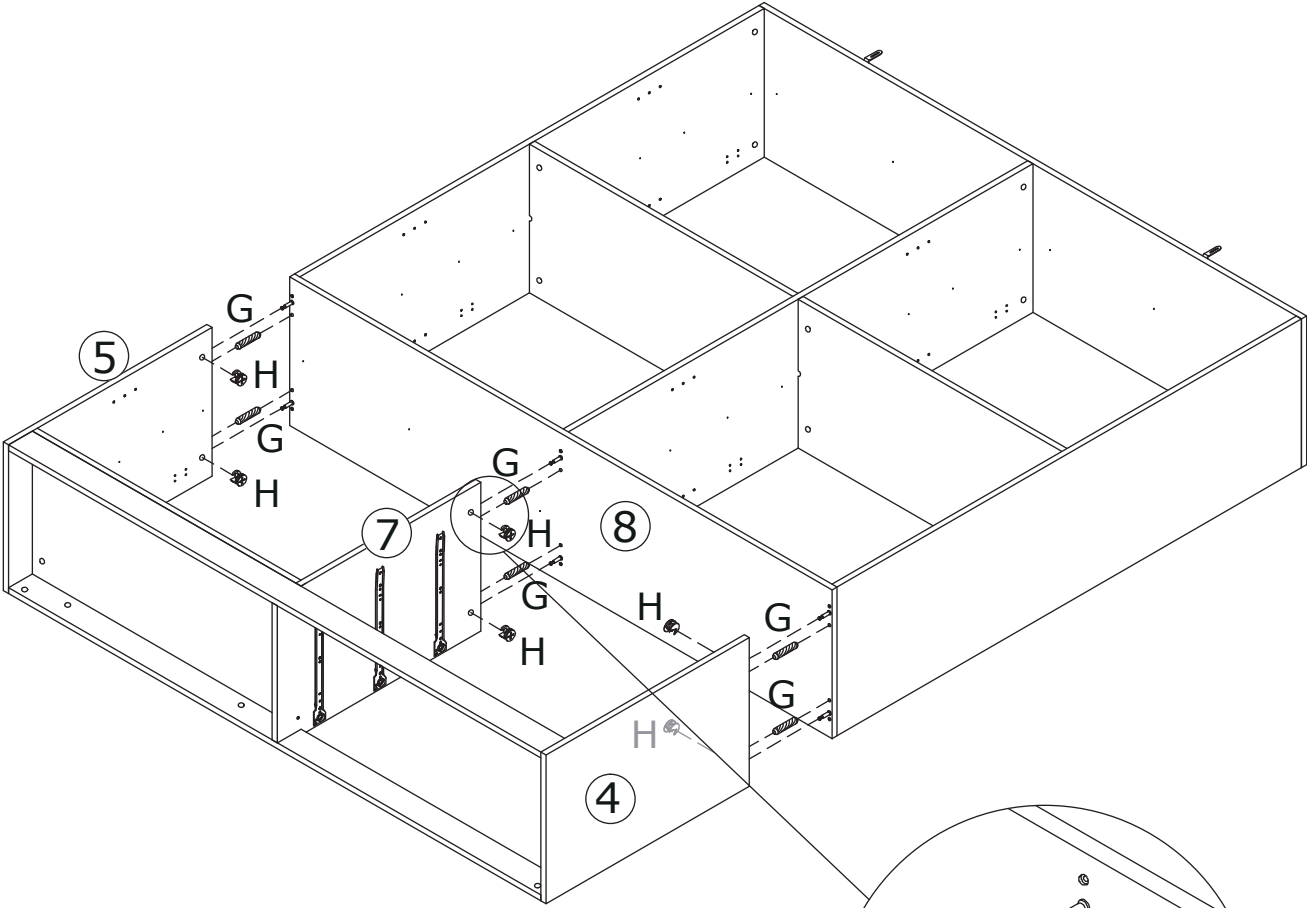
Attach board 8 to board 2, 6 and 3  
using wooden dowel(G), and fix  
with screw(J) as shown.



15

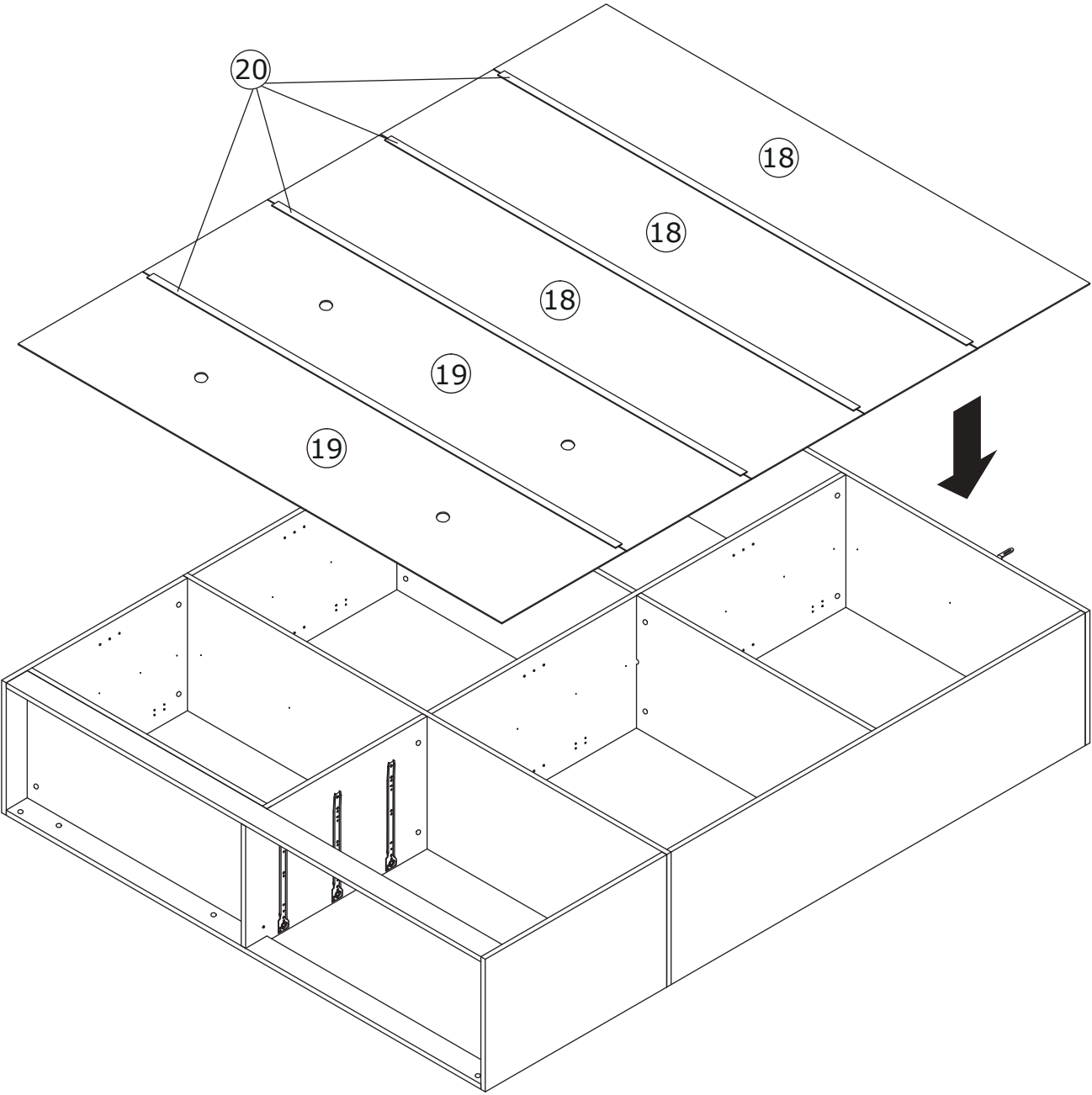


Connect the two assembled components using wooden dowel(G), add cam lock(H) into and turn clockwise to tighten as shown.



16

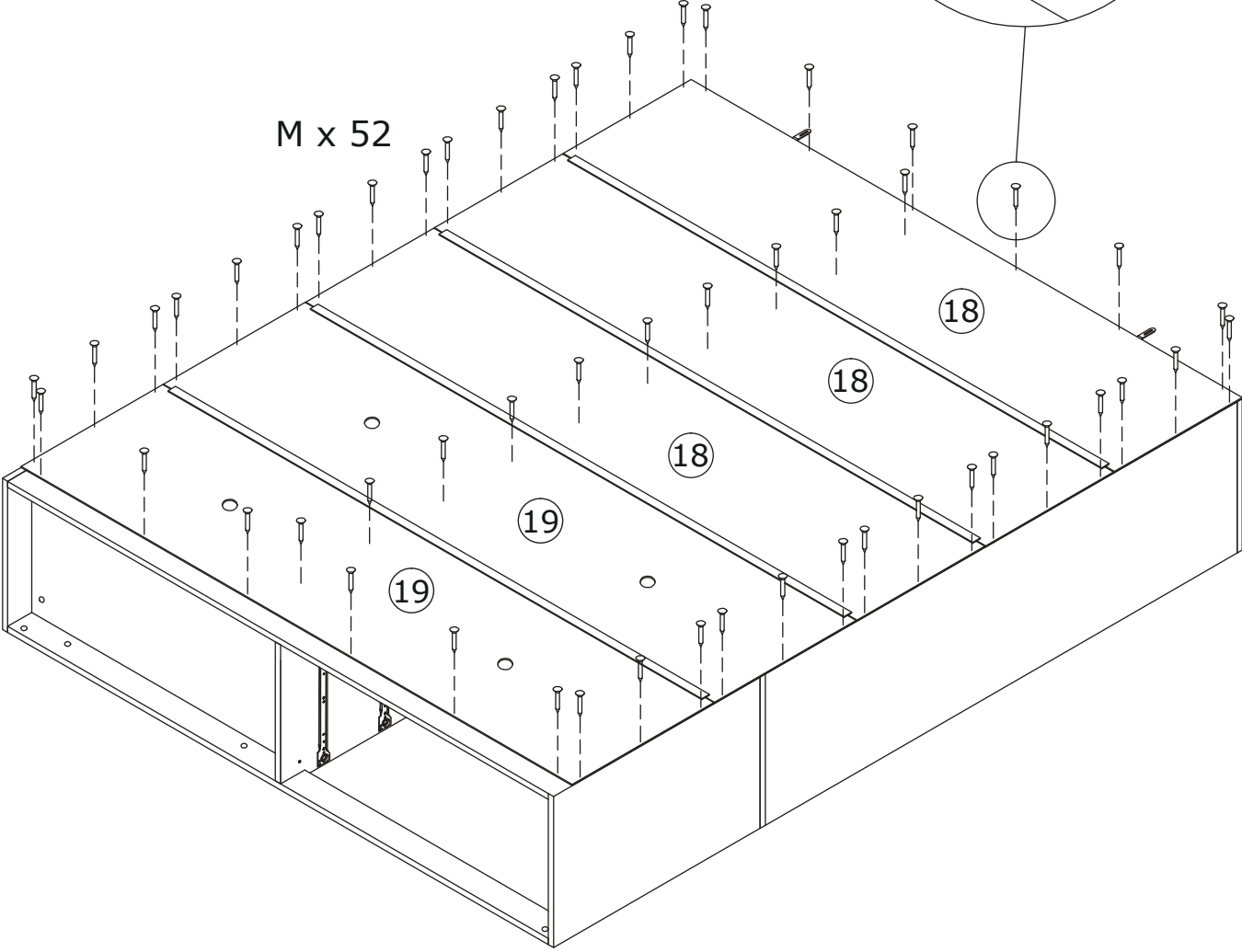
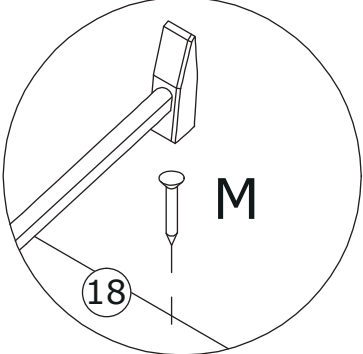
Connect each back board 18  
and 19 to strip 20 at first.




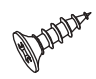
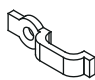
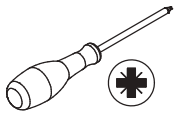
17



Fix back boards using nail(M) as shown.

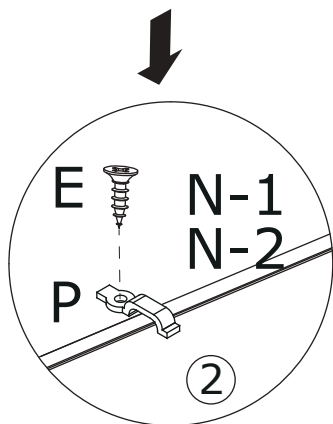
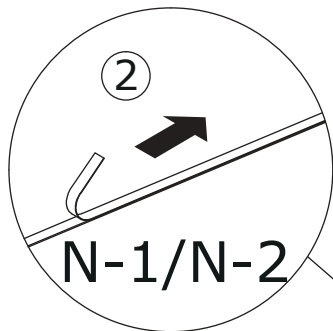
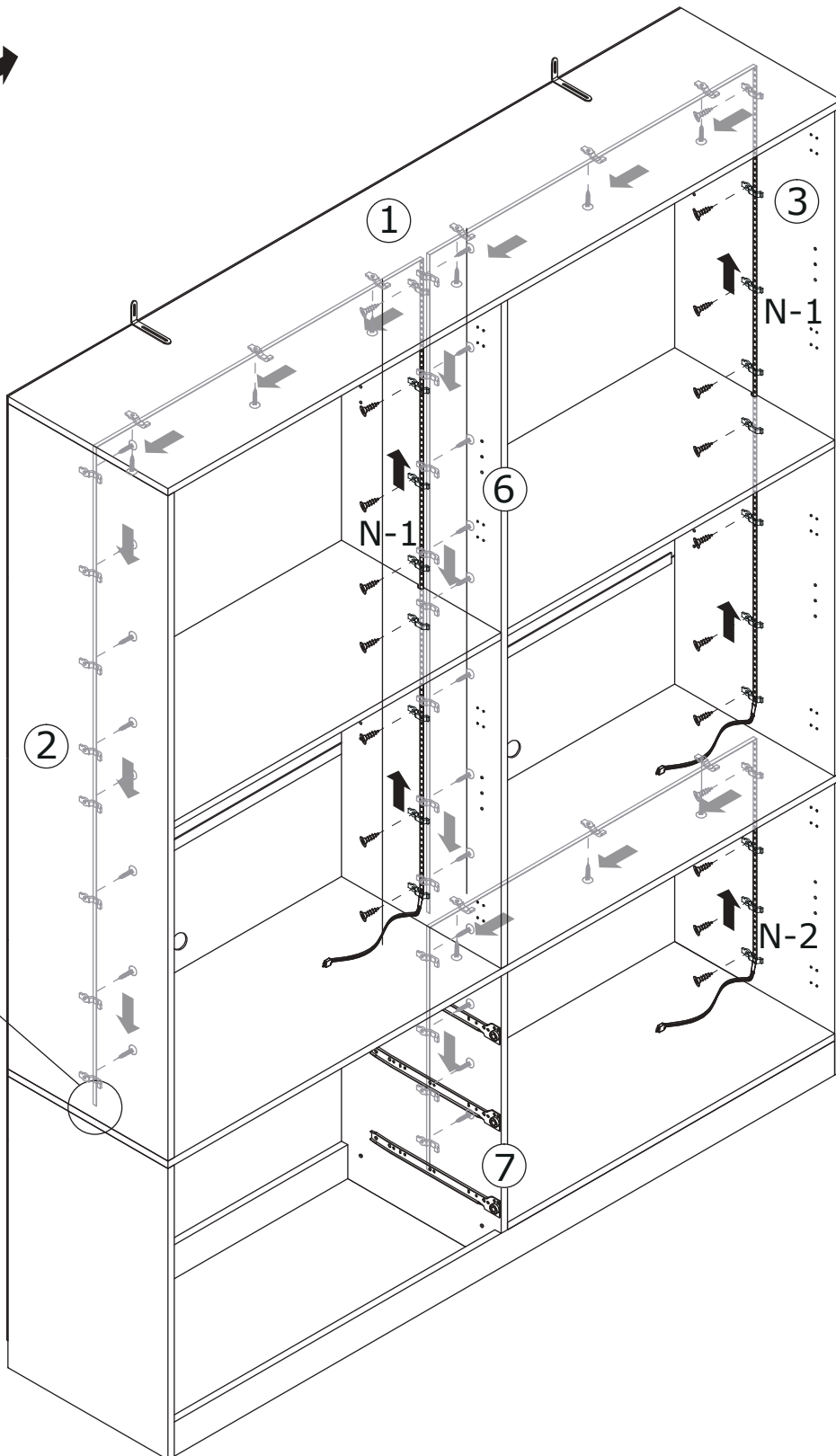


18



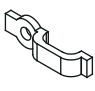
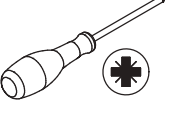
<p>N x 1</p> 	<p>E x 49</p> <p>Ø3 x 12 mm</p> 	<p>P x 49</p> 	
--	---	---	---

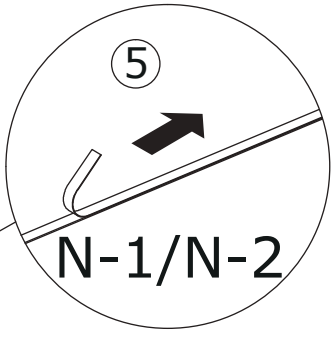
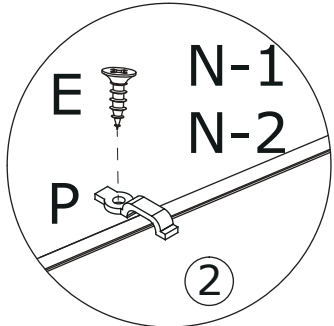
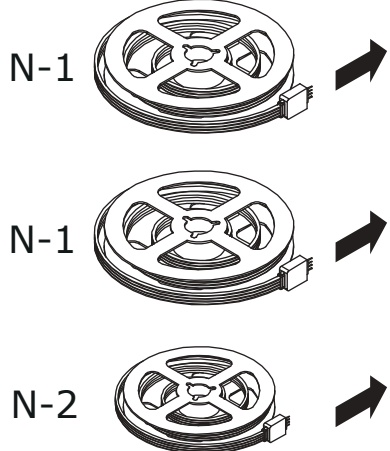
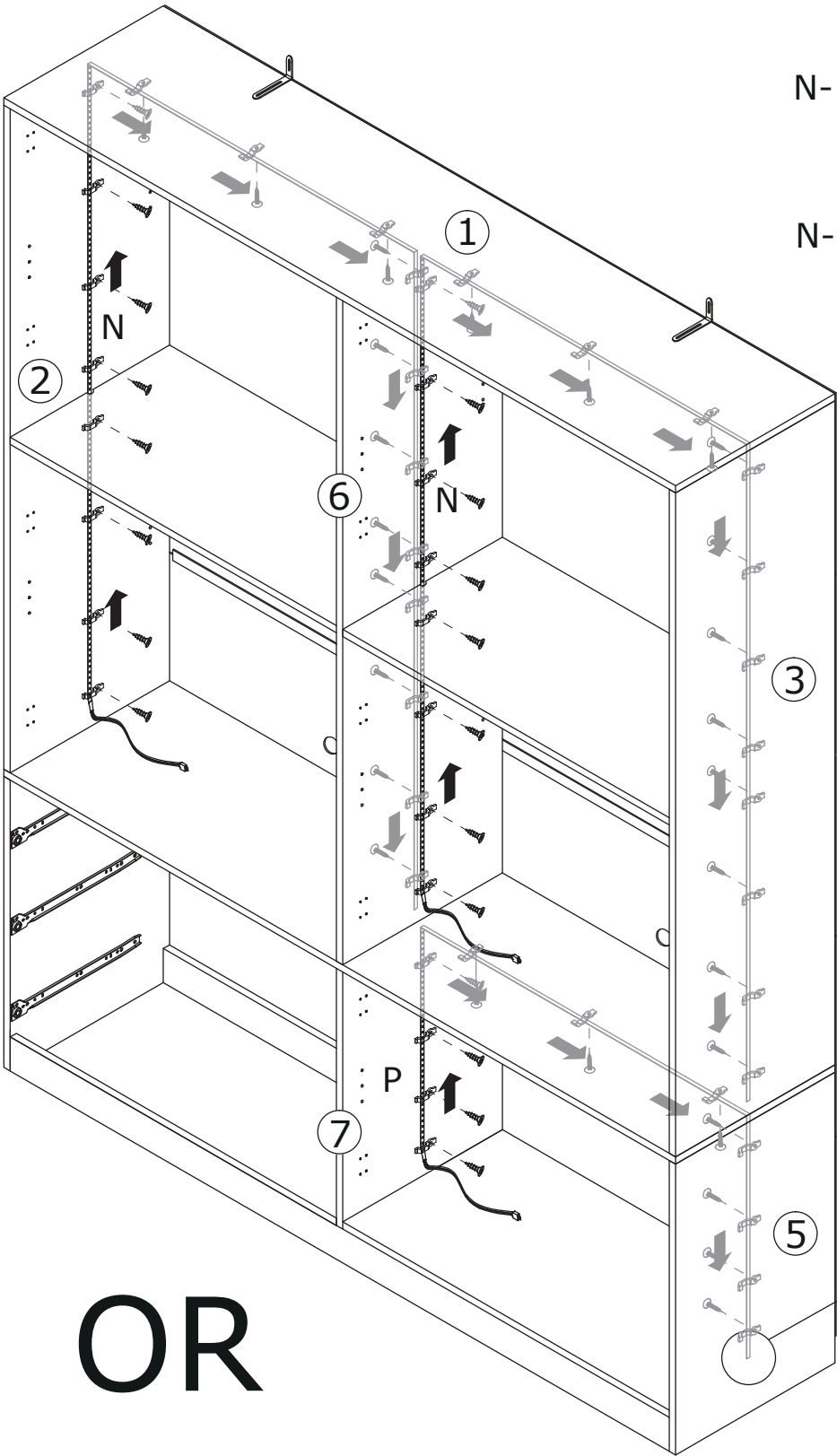


Stick the light belt on the inside of the unit, and secure using buckle(P) and screw(E).



19

<p>N x 1</p> 	<p>E x 49</p>  <p>Ø3 x 12 mm</p>	<p>P x 49</p> 	
--	---	---	---



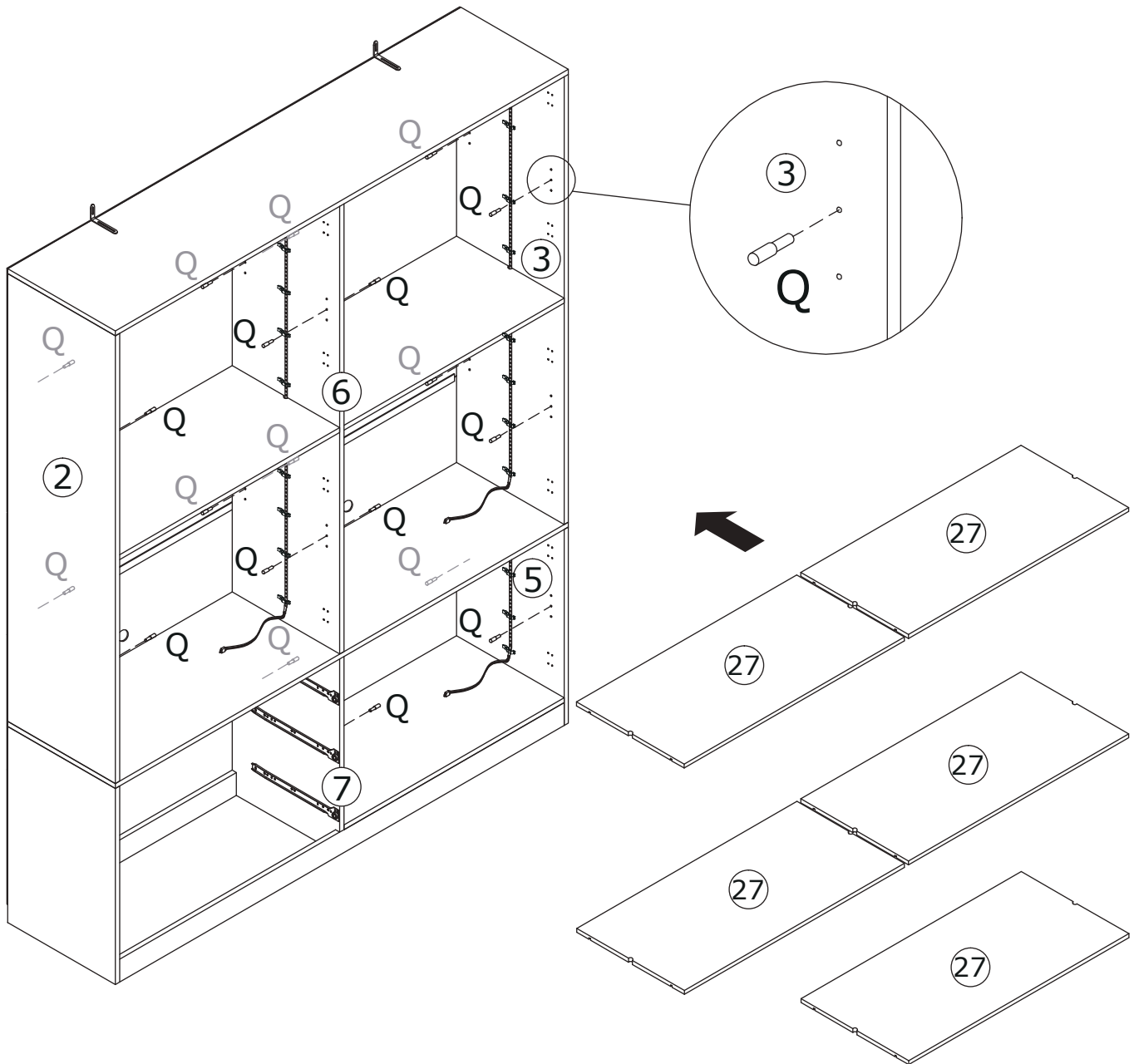
OR

20

Q x 20



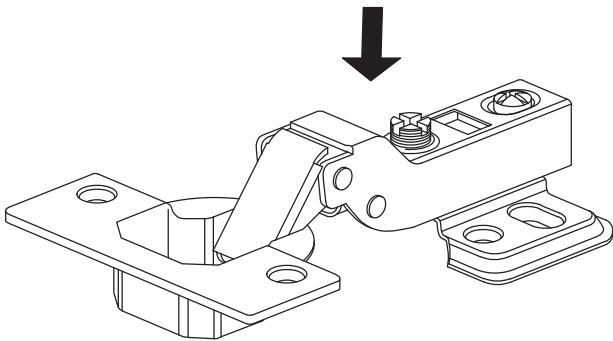
Insert layer pin(Q) into board 2, 6, 3, 7 and 5 at first, then place shelf board 27 in.



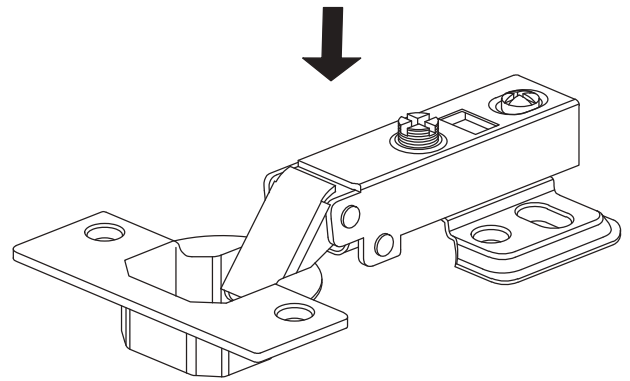


Pay attention to the difference between the middle parts of the two types of door hinges.

- The flat door hinges(S) are used on the outermost doors.
- The curved door hinges(R) are used on the middle doors.



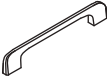

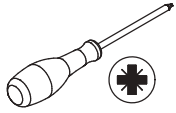


R

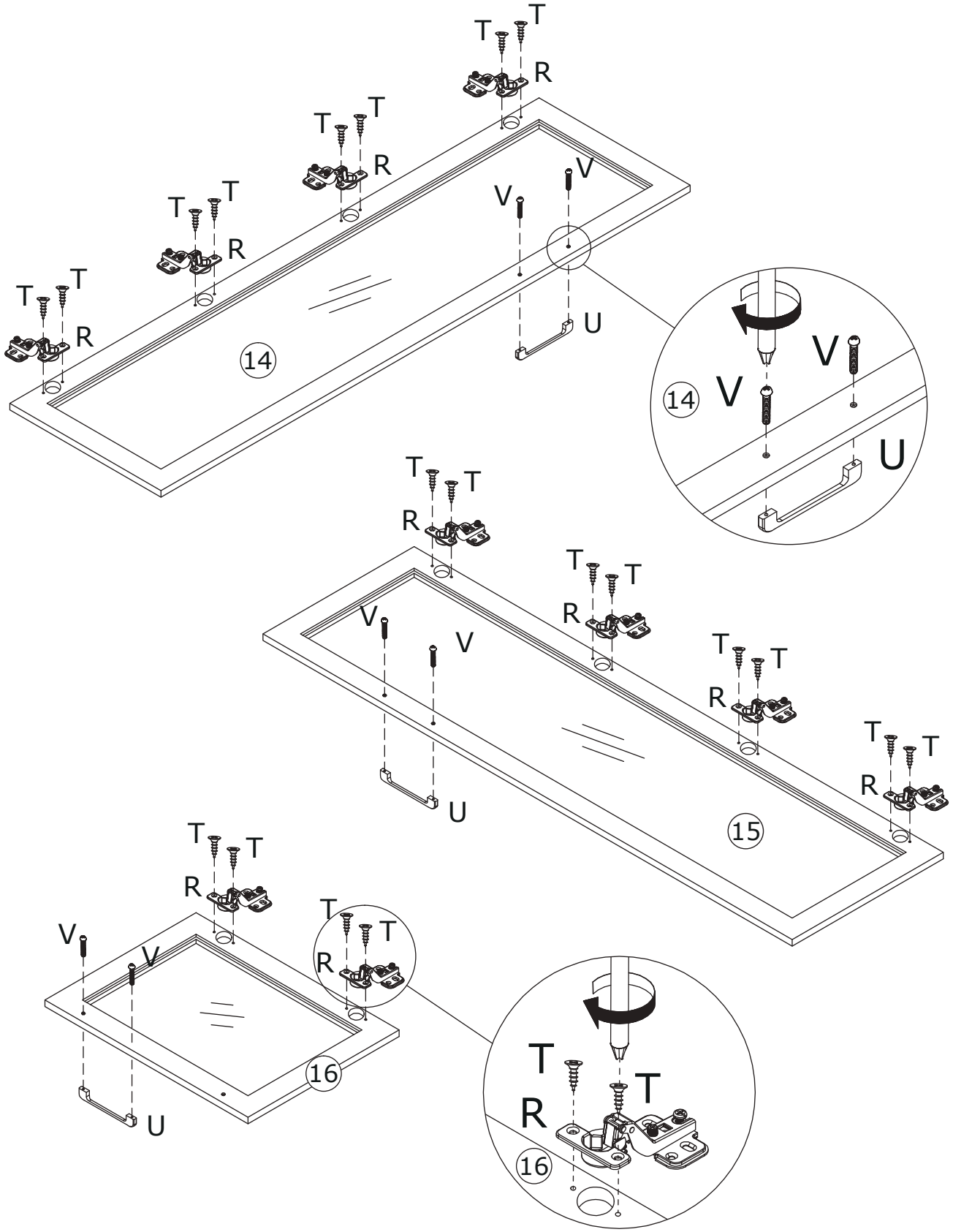
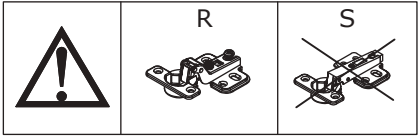


S

22

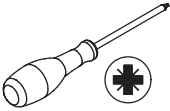
R x 10 	T x 20 Ø4 x 12 mm 	U x 3 	V x 6 Ø4 x 18 mm 	
---	---	--	---	---

Fix hinge(R) to glass board 14, 15 and 16 with screw(T) as shown.  
Fix handle(U) with screw(V) as shown.

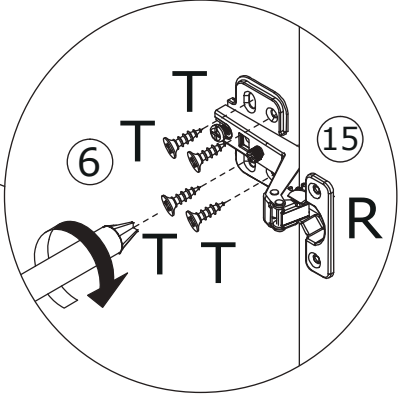
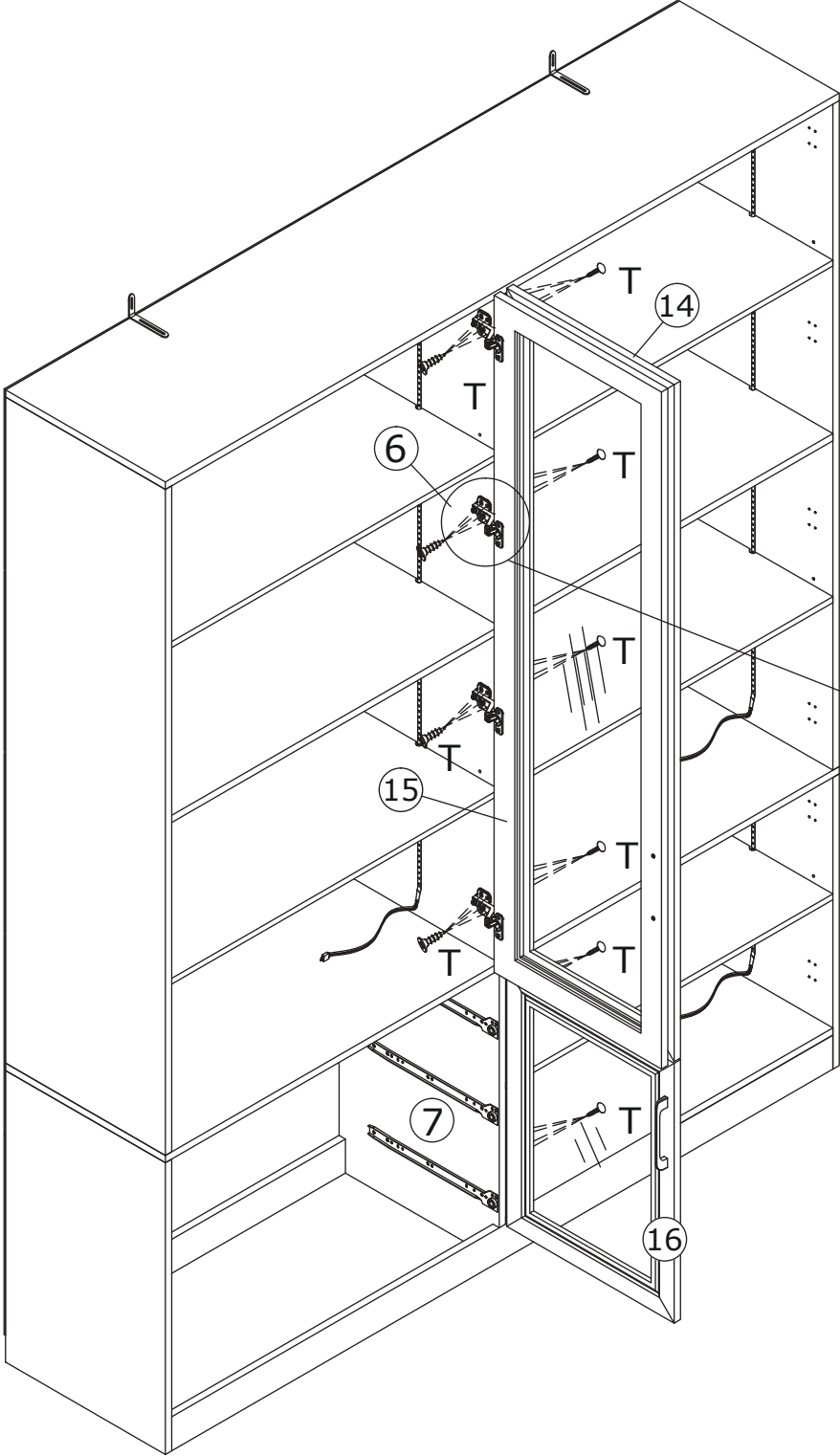


23





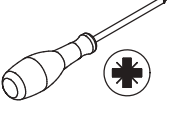
T x 40  
Ø4 x 12 mm



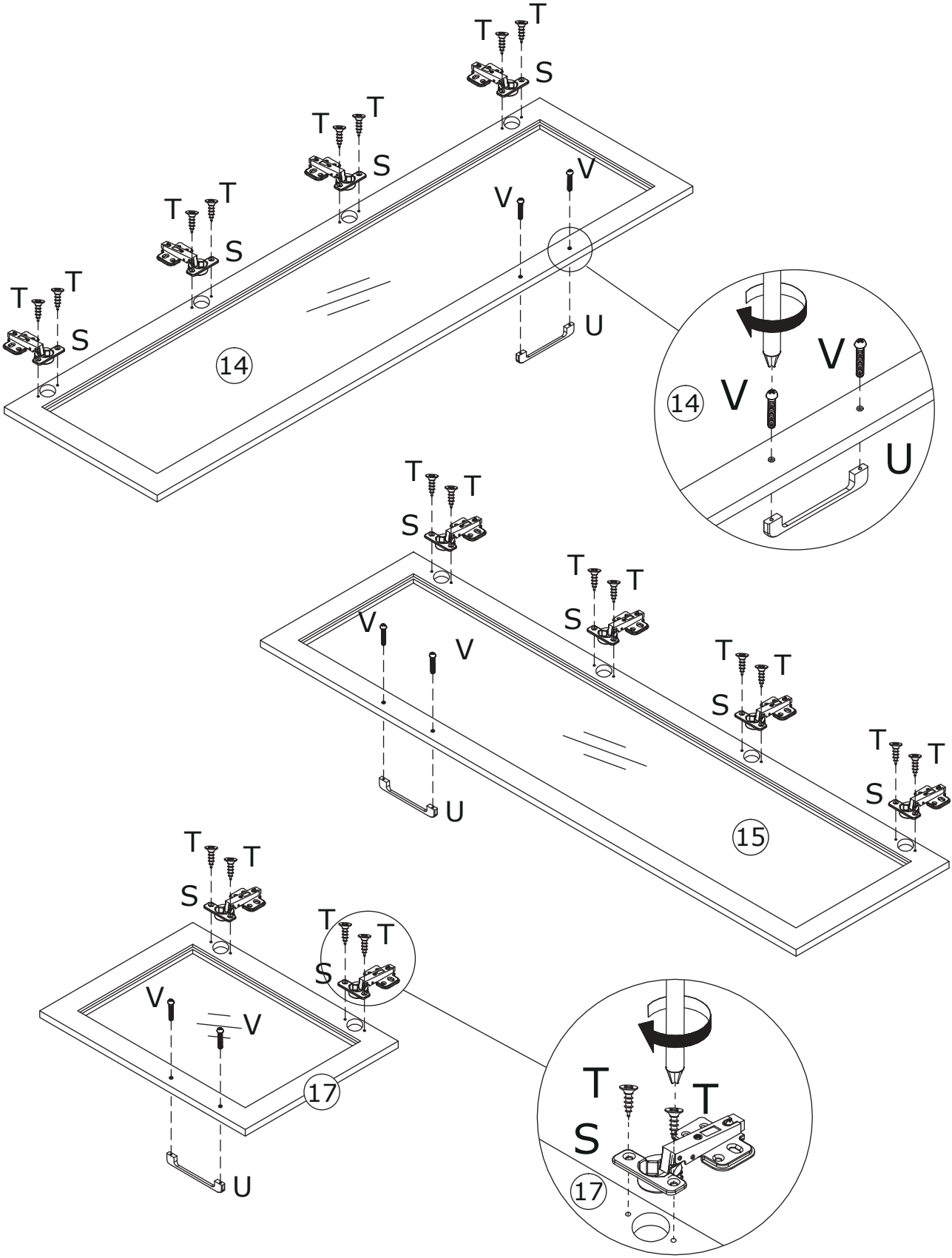
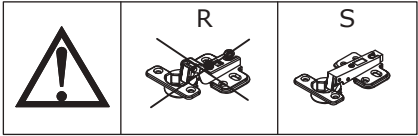
Assemble door 15 and 14 to board 6; door 16 to board 7 by fixing hinge with screw(T) as shown.



24

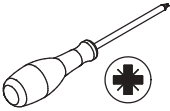
S x 10 	T x 20 Ø4 x 12 mm 	U x 3 	V x 6 Ø4 x 18 mm 	
---	---	--	---	---

Fix hinge(S) to glass board 14, 15 and 17 with screw(T) as shown.  
Fix handle(U) with screw(V) as shown.

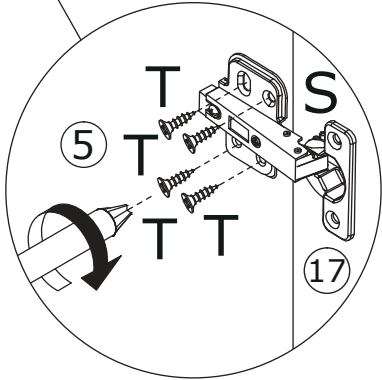
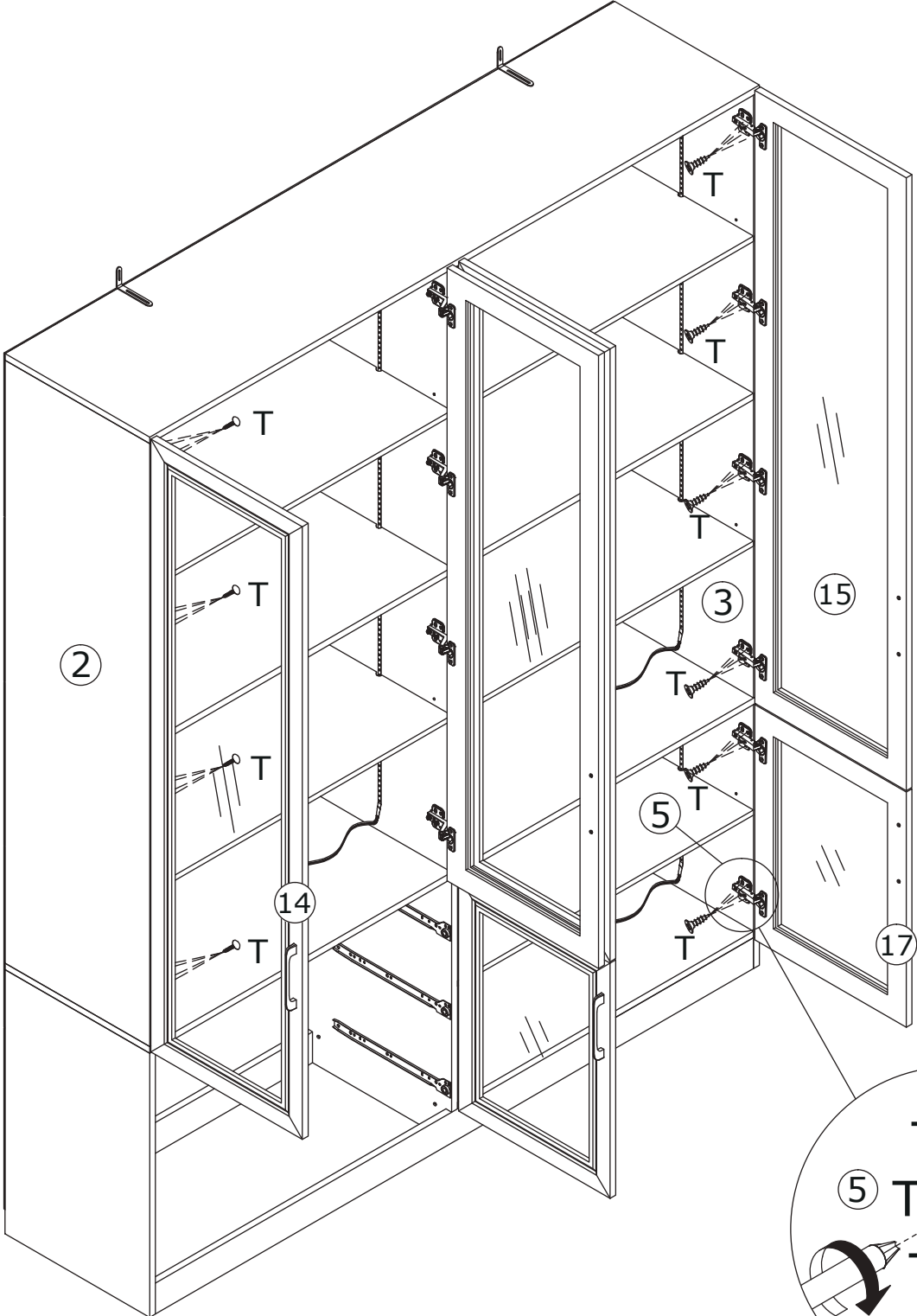


25

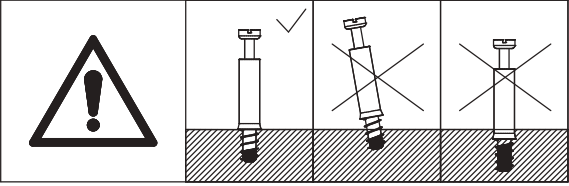
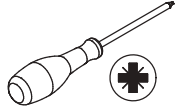
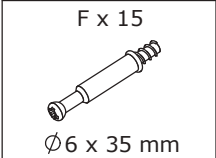
T x 40  
Ø4 x 12 mm



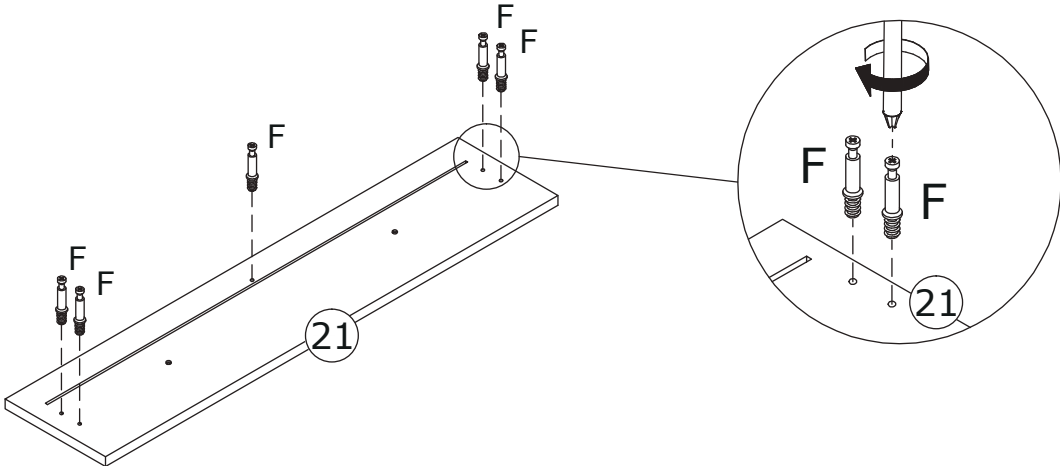
Assemble door 14 to board 2; door 15 to board 3; door 17 to board 5 by fixing hinge with screw(T) as shown.



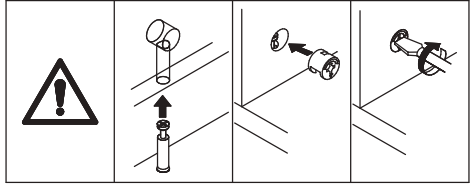
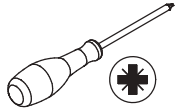
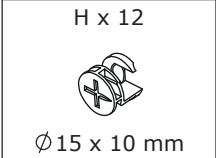
25



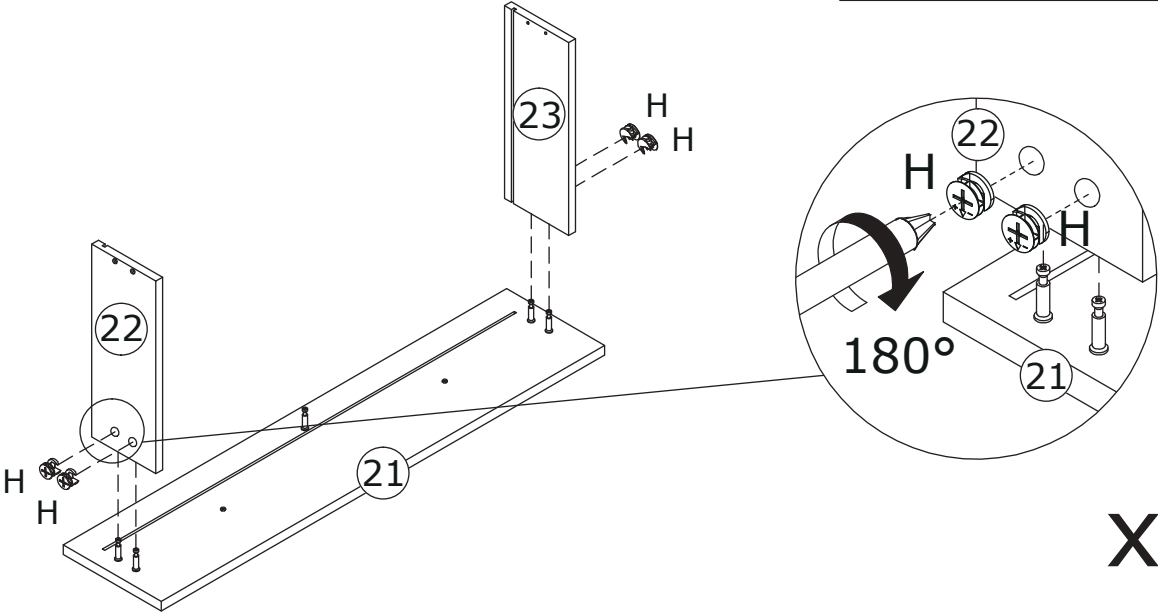
Screw eccentric rod(F) into board 21 as shown.



26

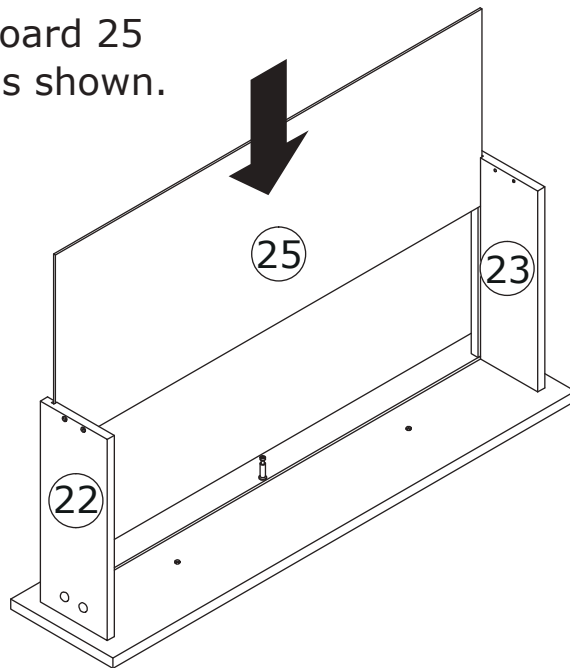


Attach board 21 to board 22 and 23, add cam lock(H) into and turn clockwise to tighten as shown.



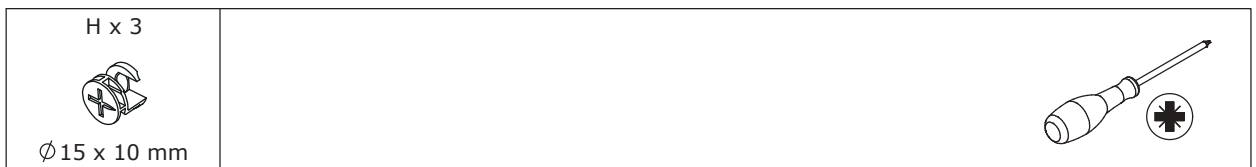
27

Insert bottom board 25 along grooves as shown.

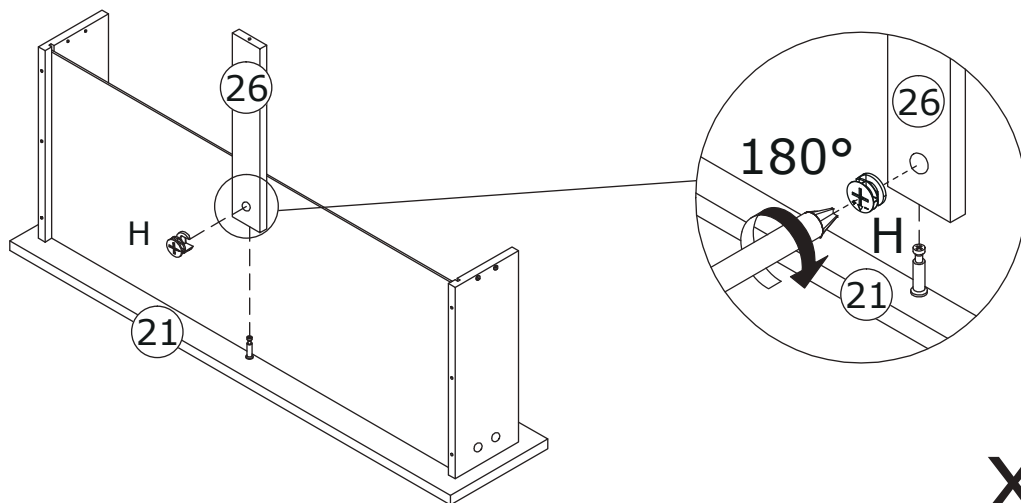
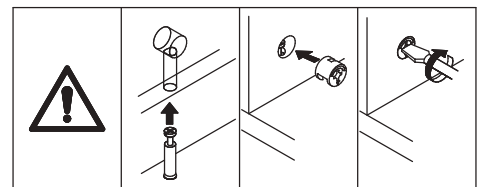


x3

28

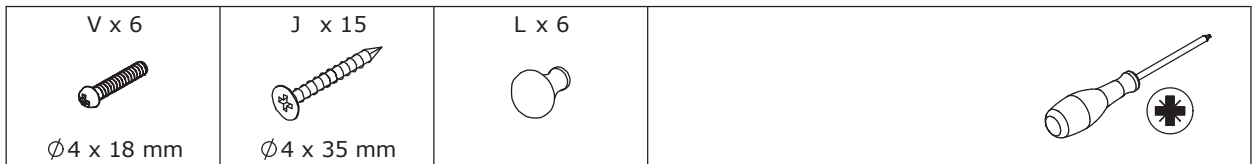


Attach board 26 to board 21, add cam lock(H) into and turn clockwise to tighten as shown.

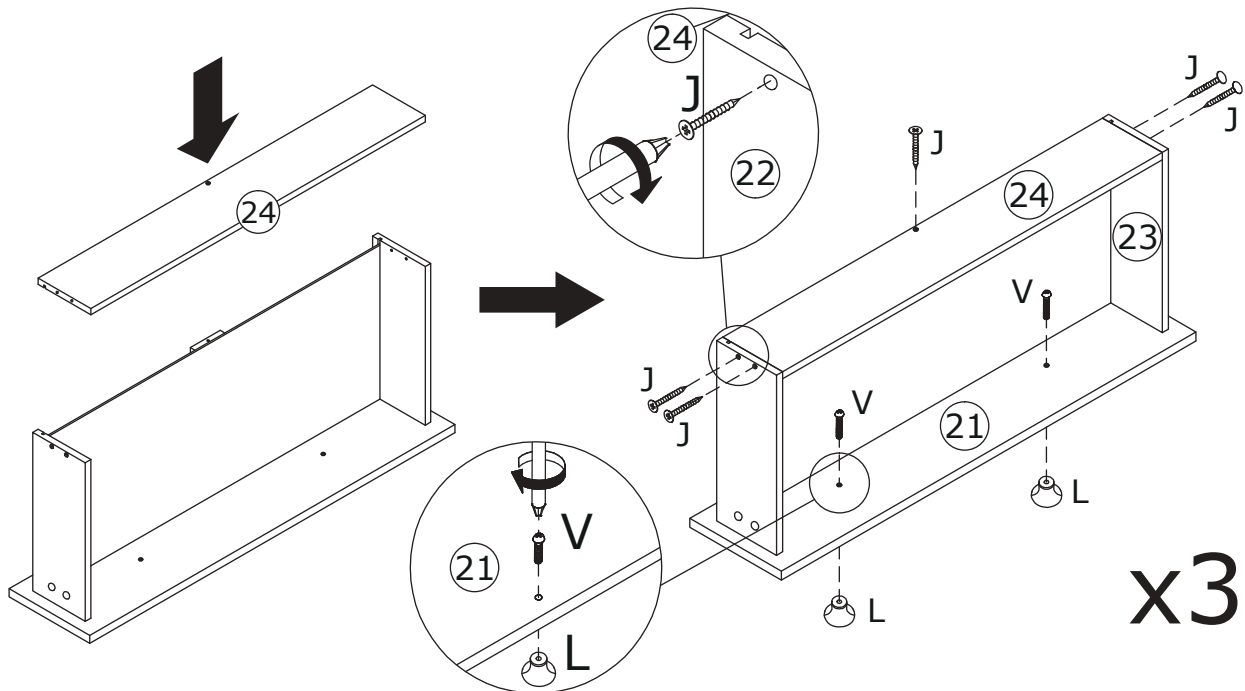


x3

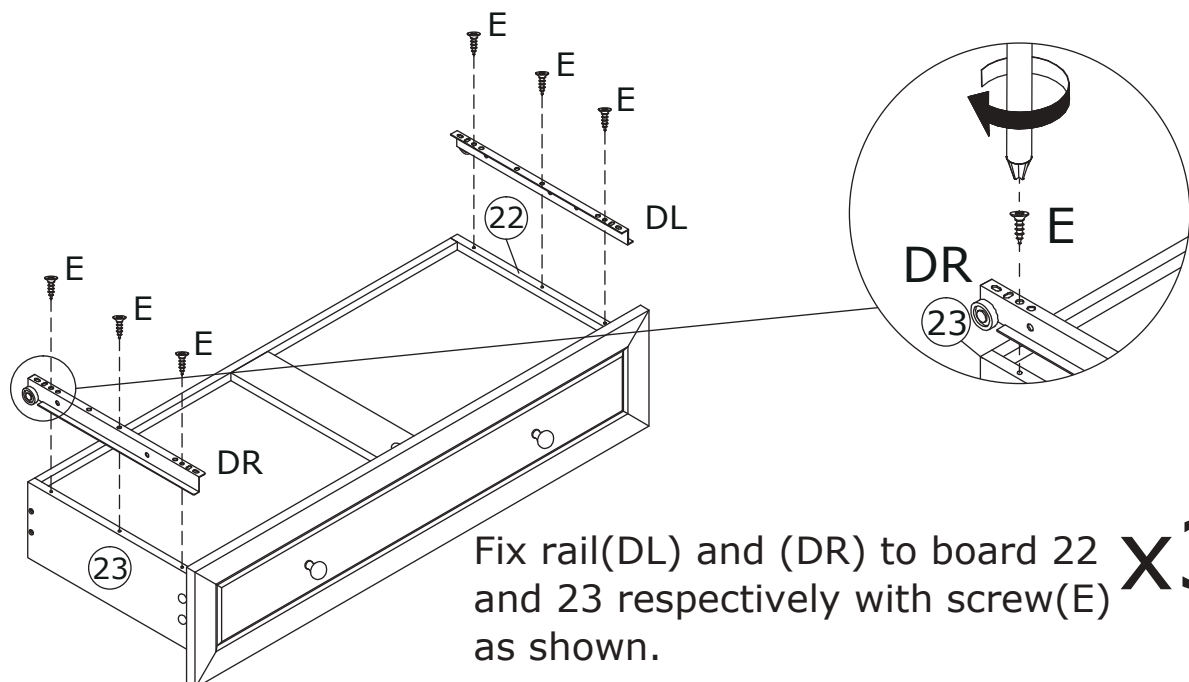
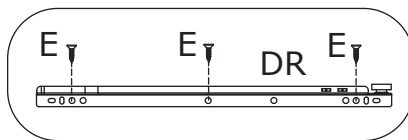
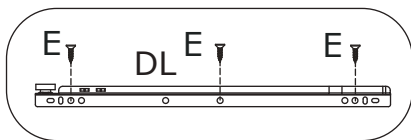
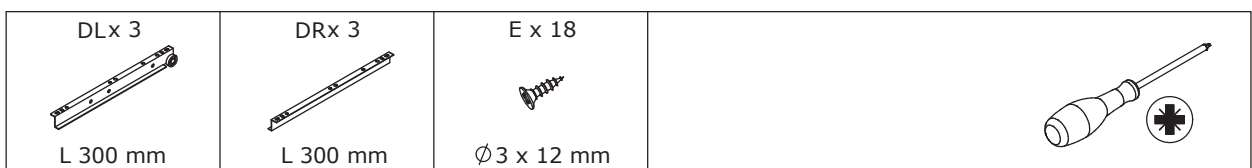
29



Fix board 24 to board 22, 26 and 23 with screw(J) as shown.  
Fix knob(L) with screw(V) as shown.

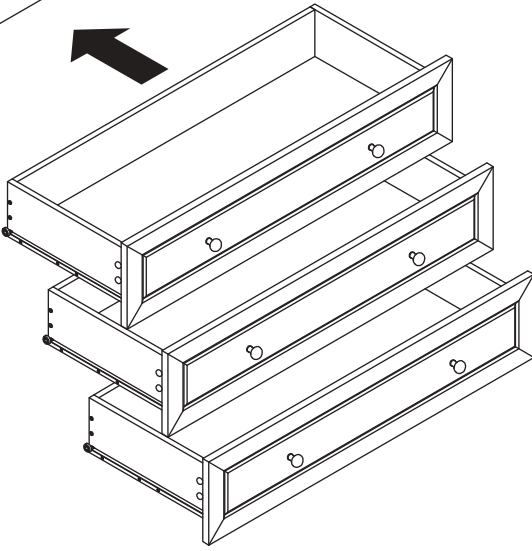
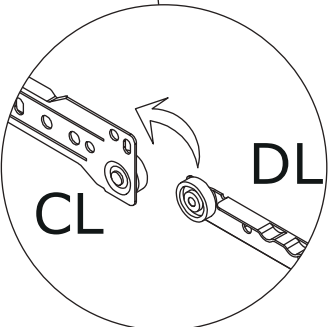
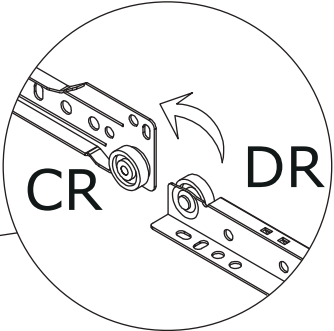
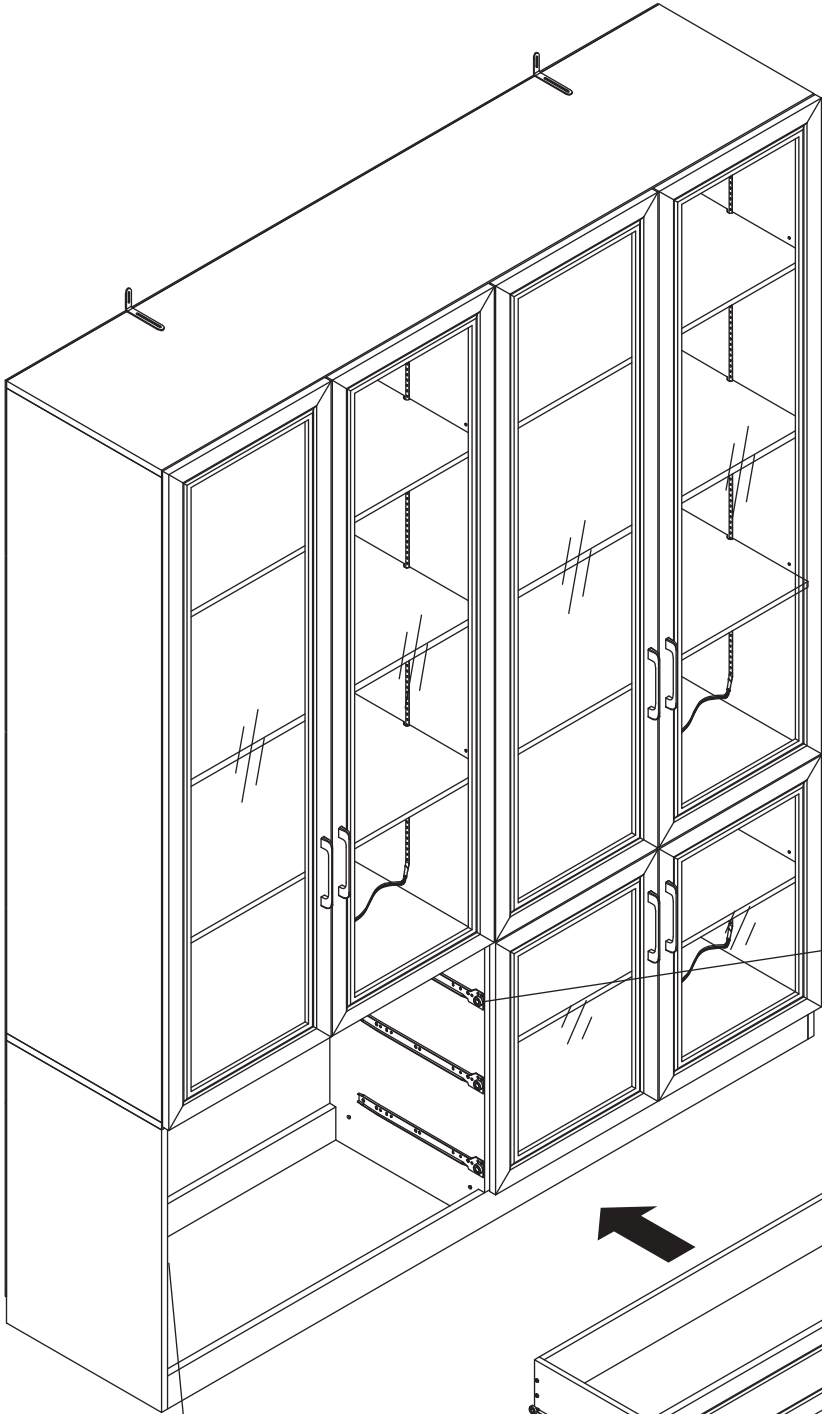


30



Fix rail(DL) and (DR) to board 22 and 23 respectively with screw(E) as shown.

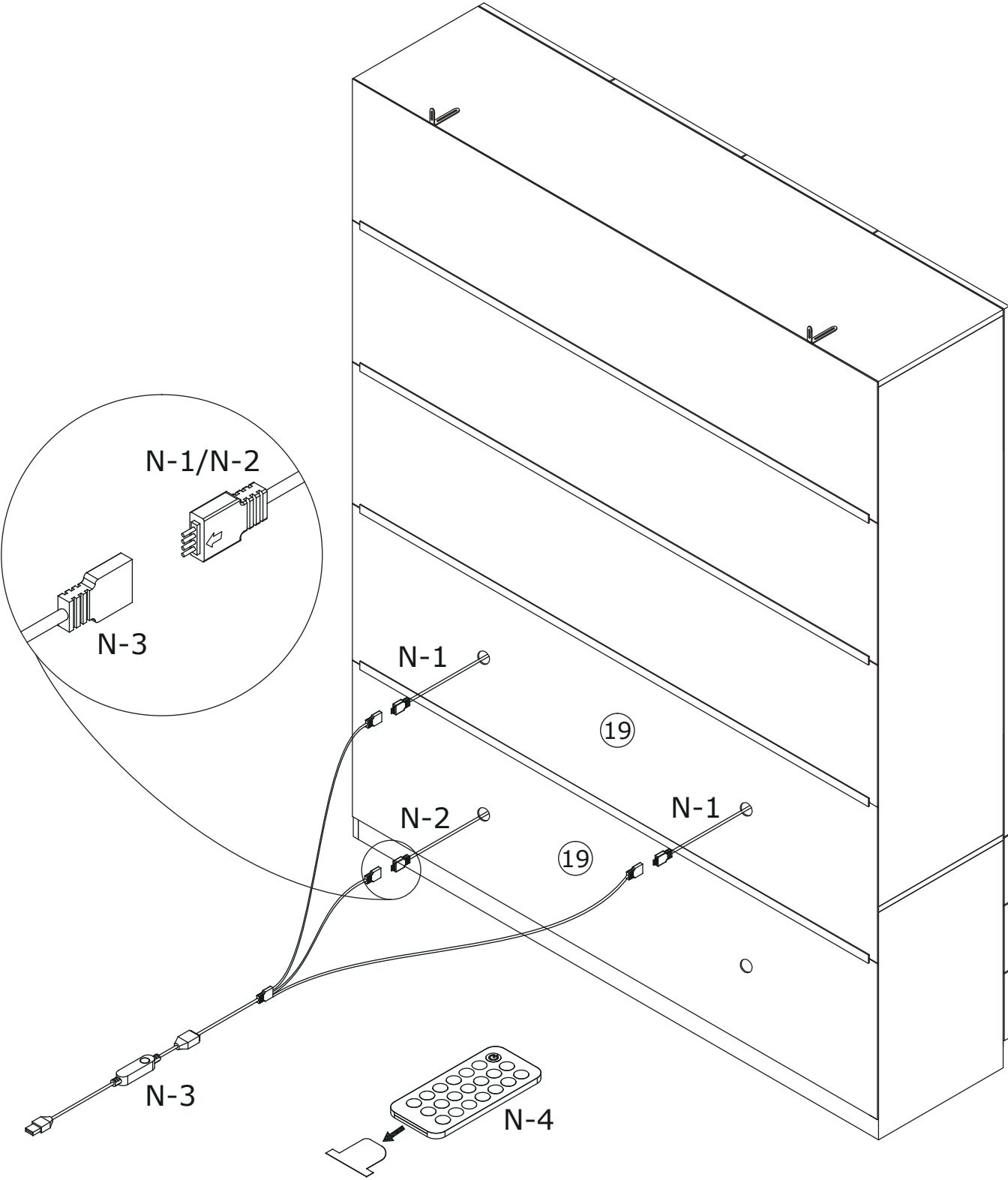
31

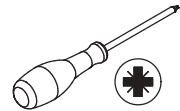


32



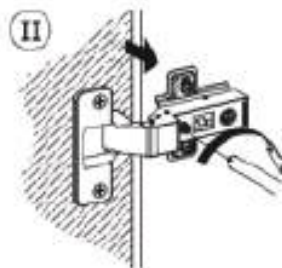
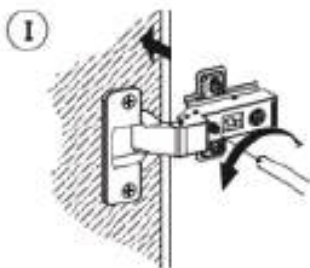
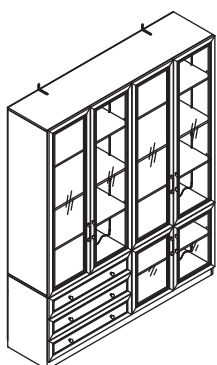
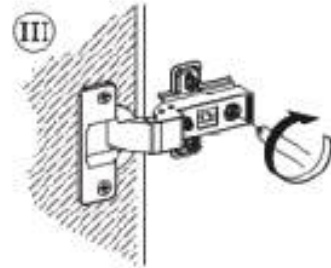
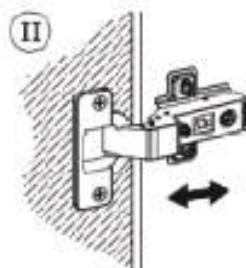
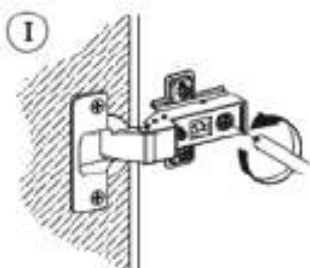
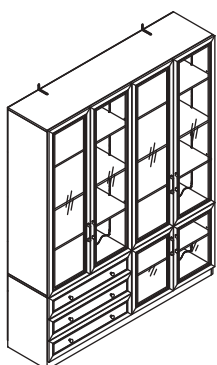
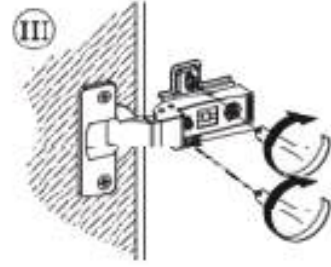
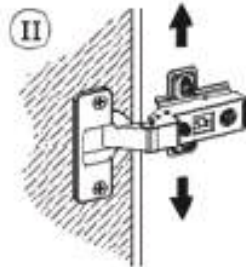
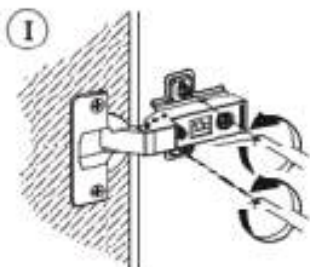
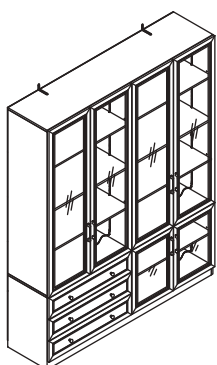
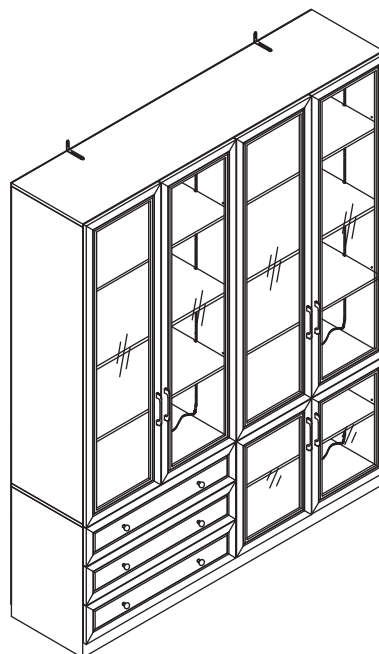
Turn on/off the light via the APP or remote control.  
Note that when the cable is connected to the light strip, the arrow on the light belt must be in the same direction as the cable; otherwise, the light will not light up.



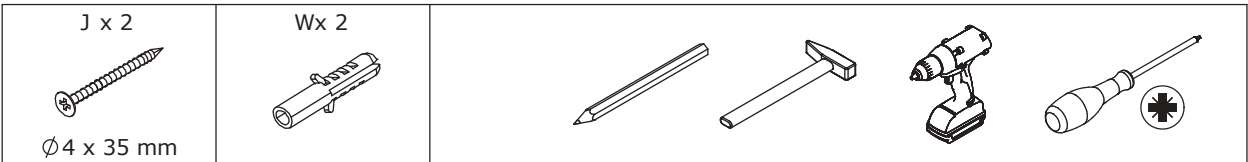


If doors are still not aligned if the hinges are properly installed, please watch the video.

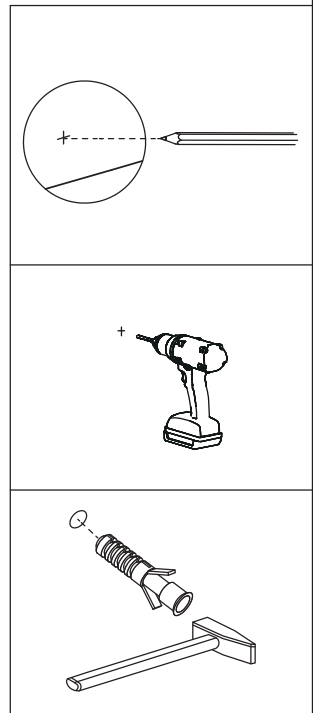
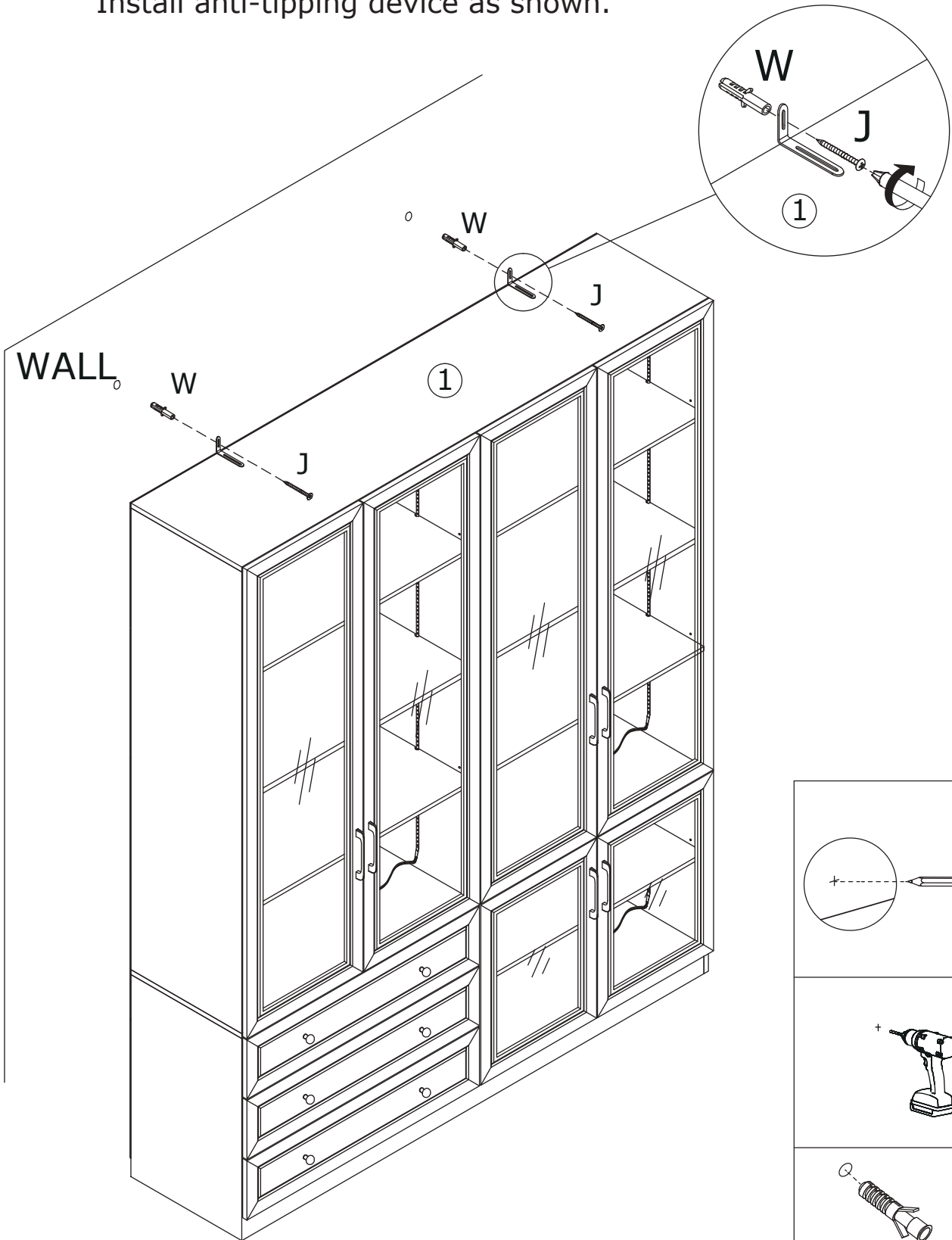
<https://youtu.be/n0Lb36SoODM>



34



Install anti-tipping device as shown.



# WARRANTY

## WARRANTY CLAIMS

- There is a 30-day warranty for broken furniture or any other problems that do not work properly. The warranty will start from the date of purchase which must be verified by proof of purchase.
- Before making a claim, we may be able to answer your query, simply call us. Please leave your purchase order number, along with some details of the problem, if you want a replacement part. We will arrange within 48 hours. If there is out of stock, we will reply with a shipping date.
- The product must be used in accordance with the instructions provided. For health reasons.
- For other reasons, if the furniture needs to be returned, it must be cleaned and dried and operated within 30 days of receipt.

## Type of Warranty Claim

- Failure to follow the furniture instructions will invalidate the warranty. Attention please.
- Does not include damage during installation, but includes damage during transportation.

## Scope of responsibility

- Shall not bear any responsibility for misuse or user damage and / or loss of parts during the installation of furniture.
- After using, the damage and scratches of the furniture are not covered by the warranty.

## The Warranty Relates to All Bought in The Us and Covers The Following Areas

- Sheet parts: 1 month from the date of purchase.
- Electrical parts: 1 month from the date of purchase.

# RETURNS

## CHANGED YOUR MIND AND NEED TO RETURN YOU ITEM?

### PLEASE FOLLOW THE BELOW INSTRUCTIONS:

- If you have purchased and have simply changed your mind, follow the retailer's instructions for returns.

### DEFECTIVE ITEMS

- If your item is defective in any way, i.e. it doesn't work but you can't identify why, in the first instance, please call us.

### DAMAGED ITEMS

- If you receive an order with obvious shipping damage from the retailer, then we suggest the delivery is refused. If the delivery has been accepted and then shipping damage is found, please follow the specific instructions advised by the retailer. In all circumstances please save all packaging material and paperwork for the order. Please be aware that if you dispose of packaging material or attempt to return the merchandise without contacting the fulfiller, you jeopardise your chances of making a claim, and you may not receive a credit for the return.

### AFTER-SALES CONTACT



adelahu@fufugaga.com



208-820-0068