

# Assembly Instruction for COUNTER TABLE SET


**Caution:** Please read instructions thoroughly before unpacking assembly parts. Sharp, exposed staple tips can cause injury, therefore, for your protection, please remove any exposed staples used in packing.

1. We recommend that you should assemble this product with the assistance of another person; this will make assembly easier, and will help to eliminate damage to the product or injury to persons during assembly.
2. Be sure to check all packing materials carefully for small parts that may have come loose inside the carton during shipment.
3. Please do not over tighten screws or bolts.
4. Please Put all parts on a non-abrasive floor before assembly, and follow the assembly steps to assemble your newly purchased product correctly and efficiently.

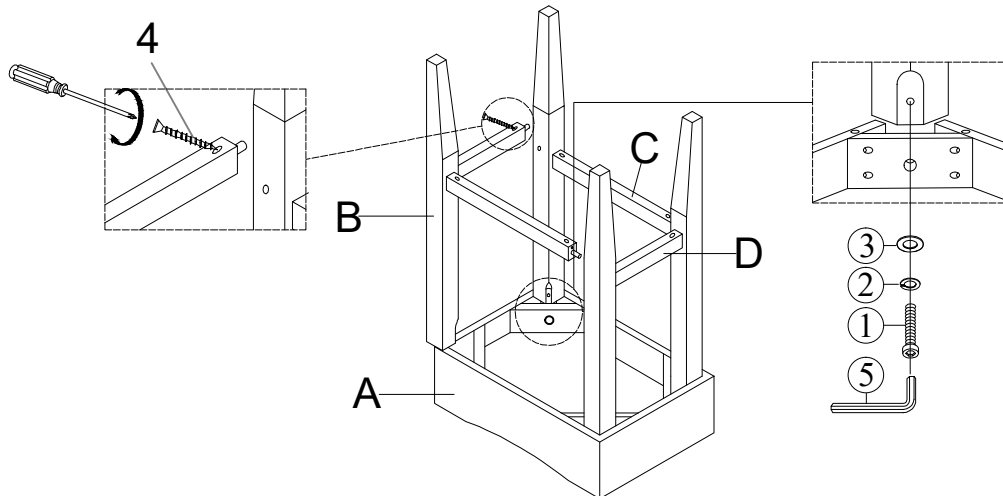
PART LIST		
No.	PART DESC	Q'TY
A	STOOL SEAT FARMER WITH CUSHION	4
B	STOOL LEGS	16
C	STOOL FRONT & BACK STRETCHER	8
D	STOOL LEFT & RIGHT STRETCHER	8
E	COUNTER TABLE TOP	1
F	COUNTER TABLE LEG	4

HARDWARE LIST			
NO.		HARDWARE DESC	Q'TY
1		ALLEN BOLT (1/4" x 50mm)	16
2		SPRING WASHER (1/4")	16
3		FLAT WASHER (1/4" x 22mm)	16
4		SCREW (45mm)	32
5		ALLEN KEY (M4)	4
6		ALLEN BOLT (5/16" x 50mm)	8
7		SPRING WASHER (5/16")	8
8		FLAT WASHER (5/16" x 22mm)	8
9		ALLEN KEY (M5)	1

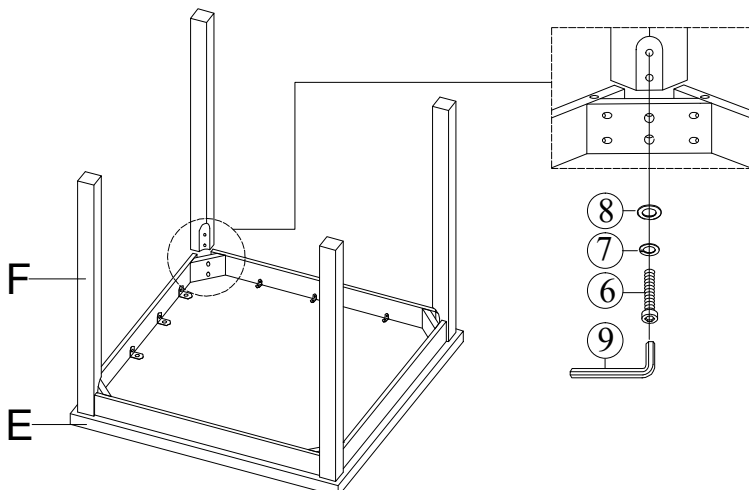
**NOTES :** Do not fully tighten any bolts until last step.

 <b>TOOLS REQUIRED (NOT PROVIDED)</b> Phillips Screw Driver
---

## STEP : 1



## STEP : 2



## COMPLETED

