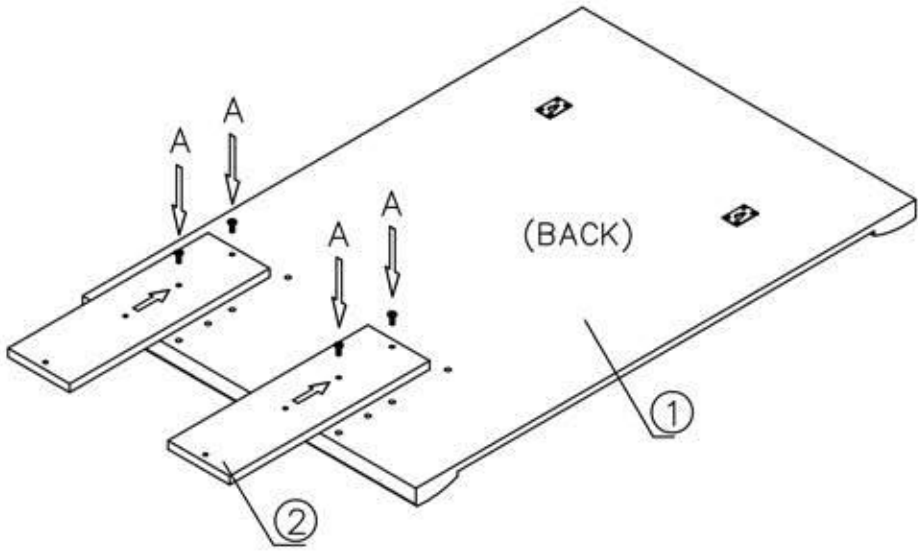


DRESSING MIRROR

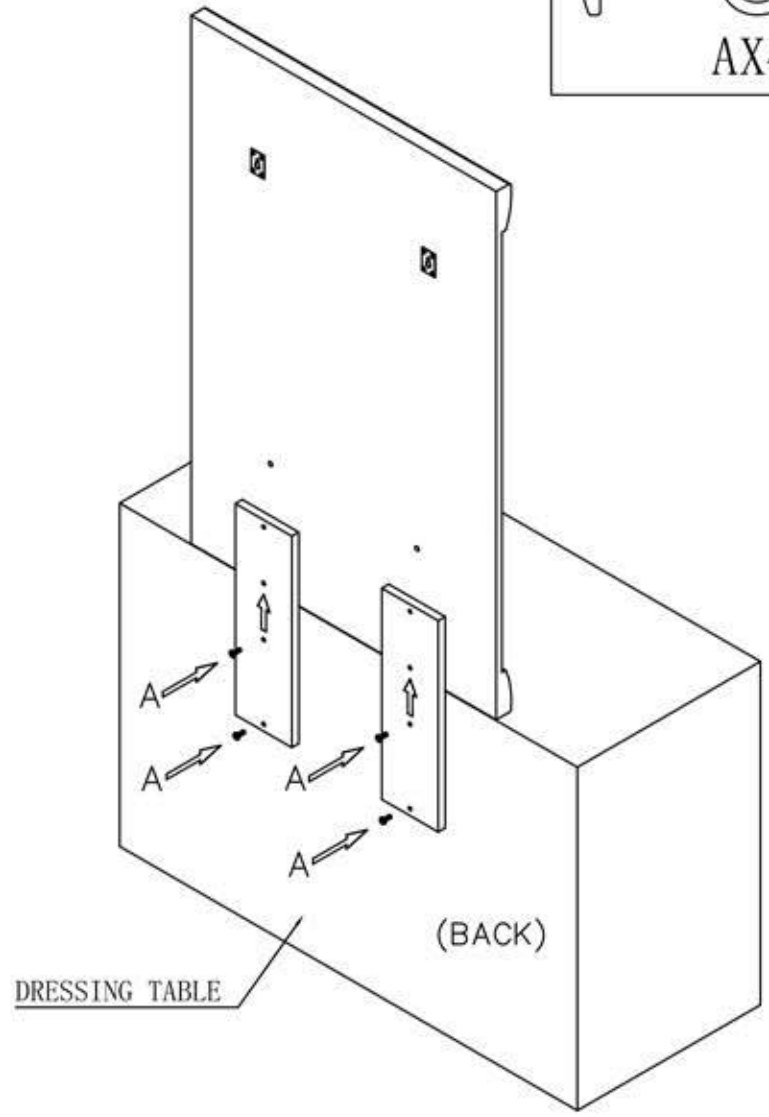
STEP1



(METHOD 1)

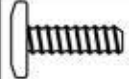


STEP2



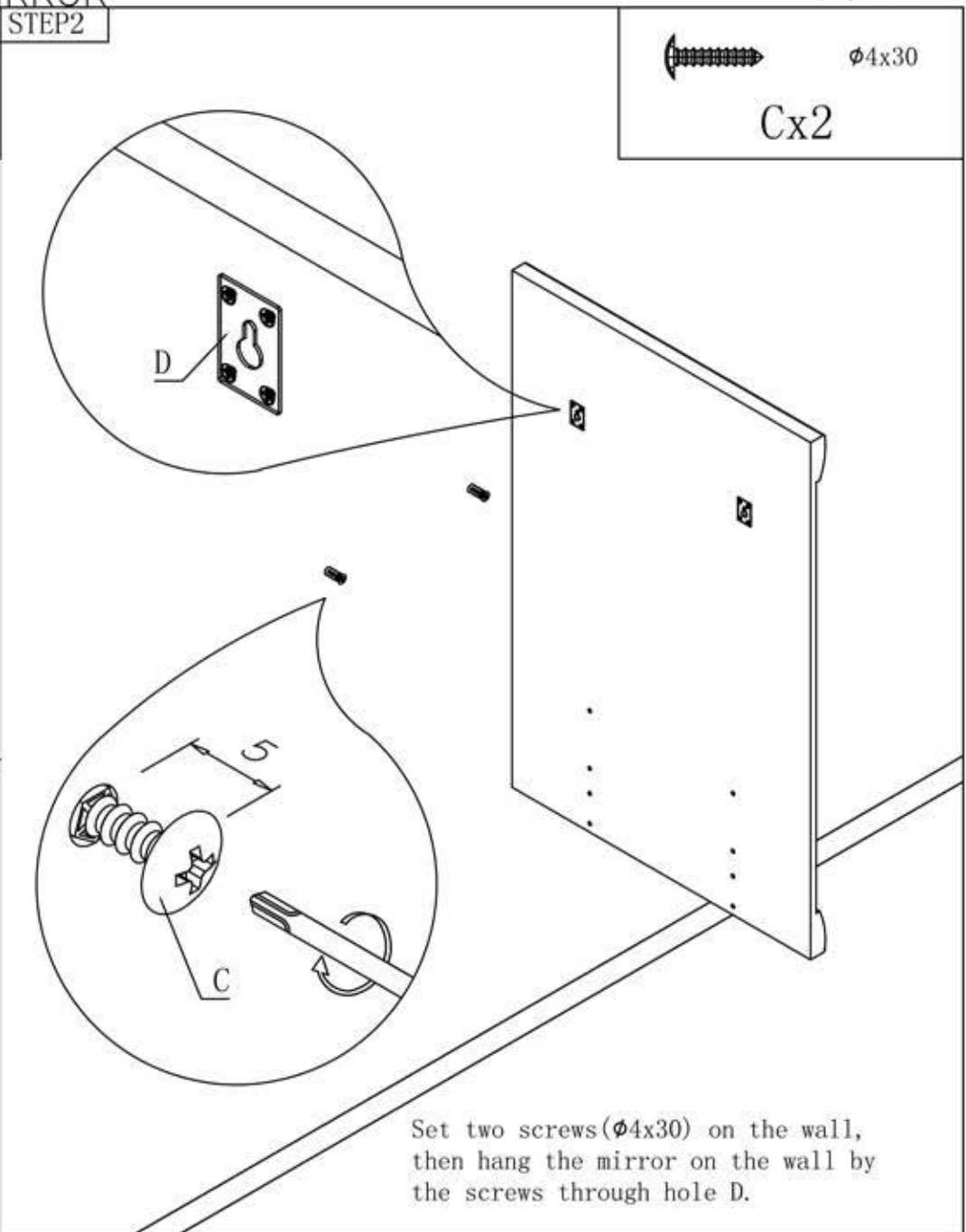
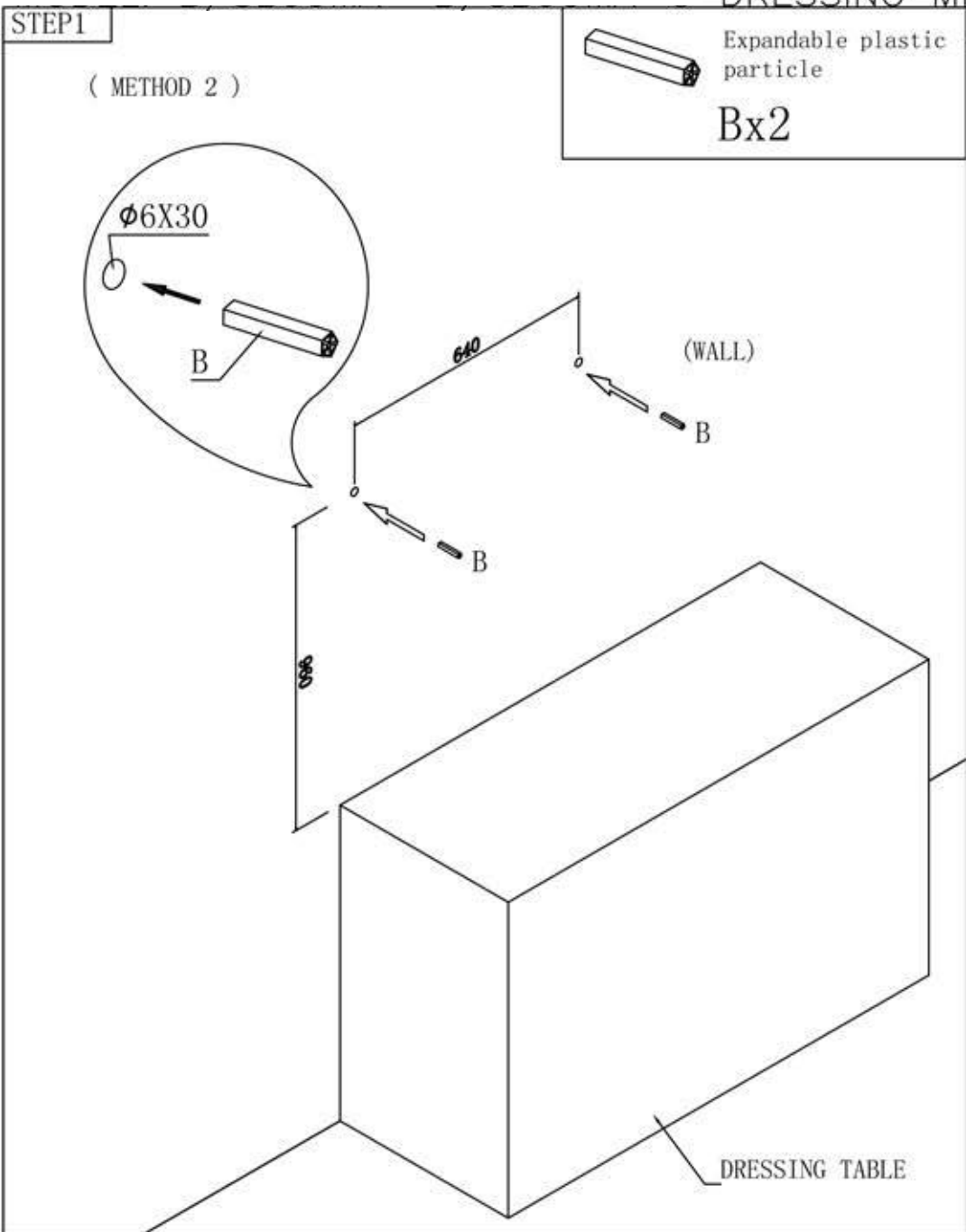
!
 • Please use a soft mat to avoid damaging during assembly

No	Part	Qty
1	Mirror Panel	1
2	Supporting Board	2

No	Part	Qty
A	 Screw M6X30	8

10min

DRESSING MIRROR



No	Part	Qty	No	Part	Qty	No	Part	Qty					
1	Mirror Panel	1	B	Expandable plastic particle	2	C	Screw φ4x30	2	2	10min			