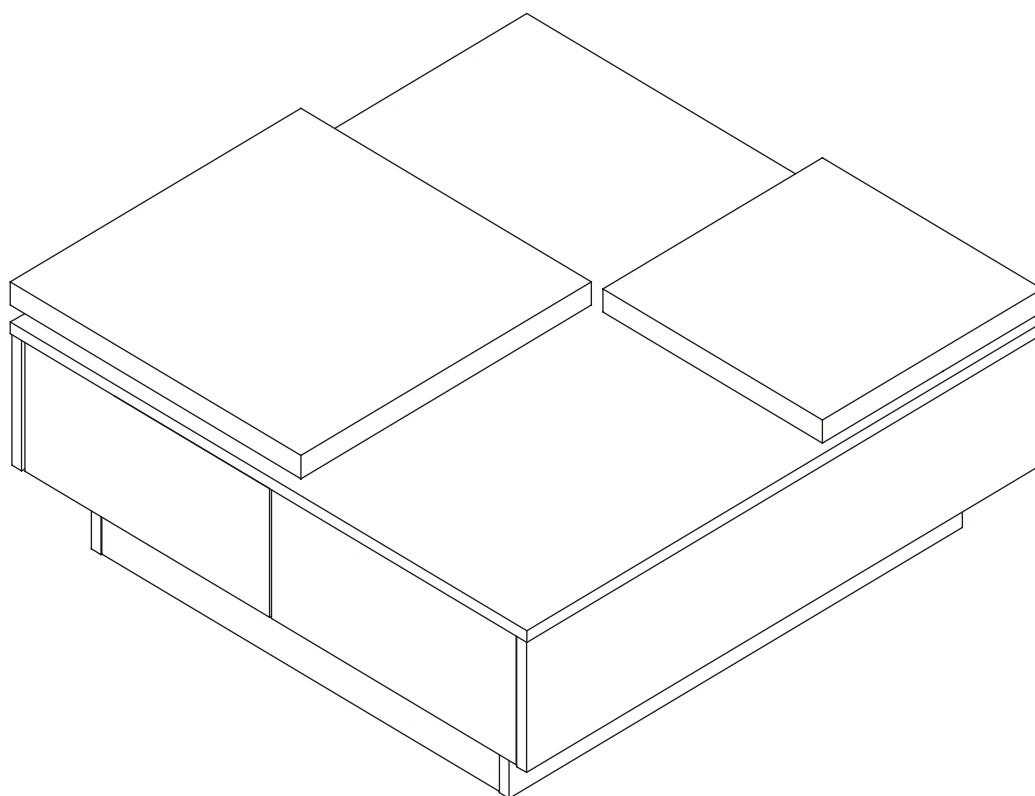


Coffee Table



Dimensions

Width-31.5inch

Depth-31.5inch

Height-13.0inch

Important – Please read these instructions fully before starting assembly



Safety and Care Advice

Important – Please read these instructions fully before starting assembly

- Check you have all the components and tools listed on the following pages.
- Remove all fittings from the plastic bags and separate them into their groups.
- Keep children and animals away from the work area, small parts could choke if swallowed.
- Make sure you have enough space to layout the parts before starting.

- During assembly do not stand or put weight on the product, this could cause damage.
- Assemble the item as close to its final position (in the same room) as possible.
- Assemble on a soft level surface to avoid damaging the unit or your floor.
- Parts of the assembly will be easier with 2 people.



- To reduce the likelihood of damaging your product please ensure that your power drill is set on a low torque setting.

Care and maintenance

- Only clean using a damp cloth and mild detergent, do not use bleach or abrasive cleaners.
- From time to time check that there are no loose screws on this unit.
- This product should not be discarded with household waste. Take to your local authority waste disposal centre.

Handy Hints

- Assemble all parts and bolts loosely during assembly, only once the product is complete should you fully tighten the bolts
- Regularly check and ensure that all bolts and fittings are tightened properly.

WARNING
In order to help prevent overturning – please follow these instructions

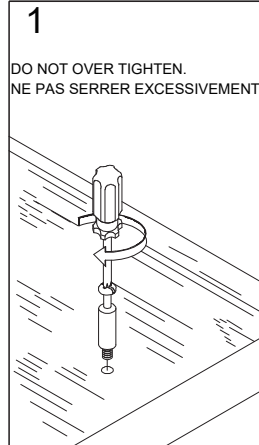
To help prevent product toppling over please follow the below steps:-

- Use the anti tip stap or wall fixing method provided (if applicable)
- Do not allow children to climb or hang on the furniture
- Do not open more than one drawer at a time
- Do not place heavy items in the top drawers
- Do not place heavy items on top of the furniture, unless the furniture has been designed for this purpose

Using Camlocks

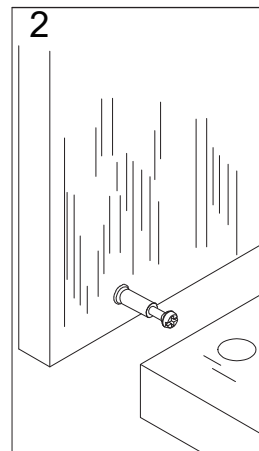
Step 1

Connect the male camlock as directed in the assembly instructions using a screwdriver.



Step 2

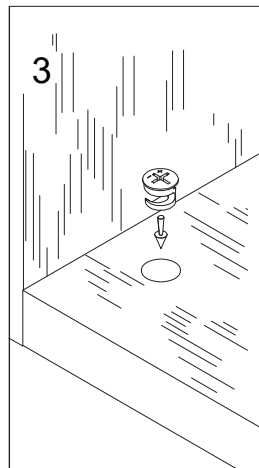
Push the male camlock into the entry hole.



Step 3

Insert the female camlock as shown in the instruction.

Note: ensure that the arrow on the top of the camlock points towards the entry hole for the male camlock.

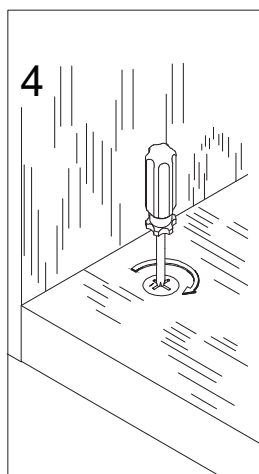


Step 4

Turn the female camlock clockwise with a screwdriver.

You should feel a click when the camlock is locked in place.

The joint is now secure.

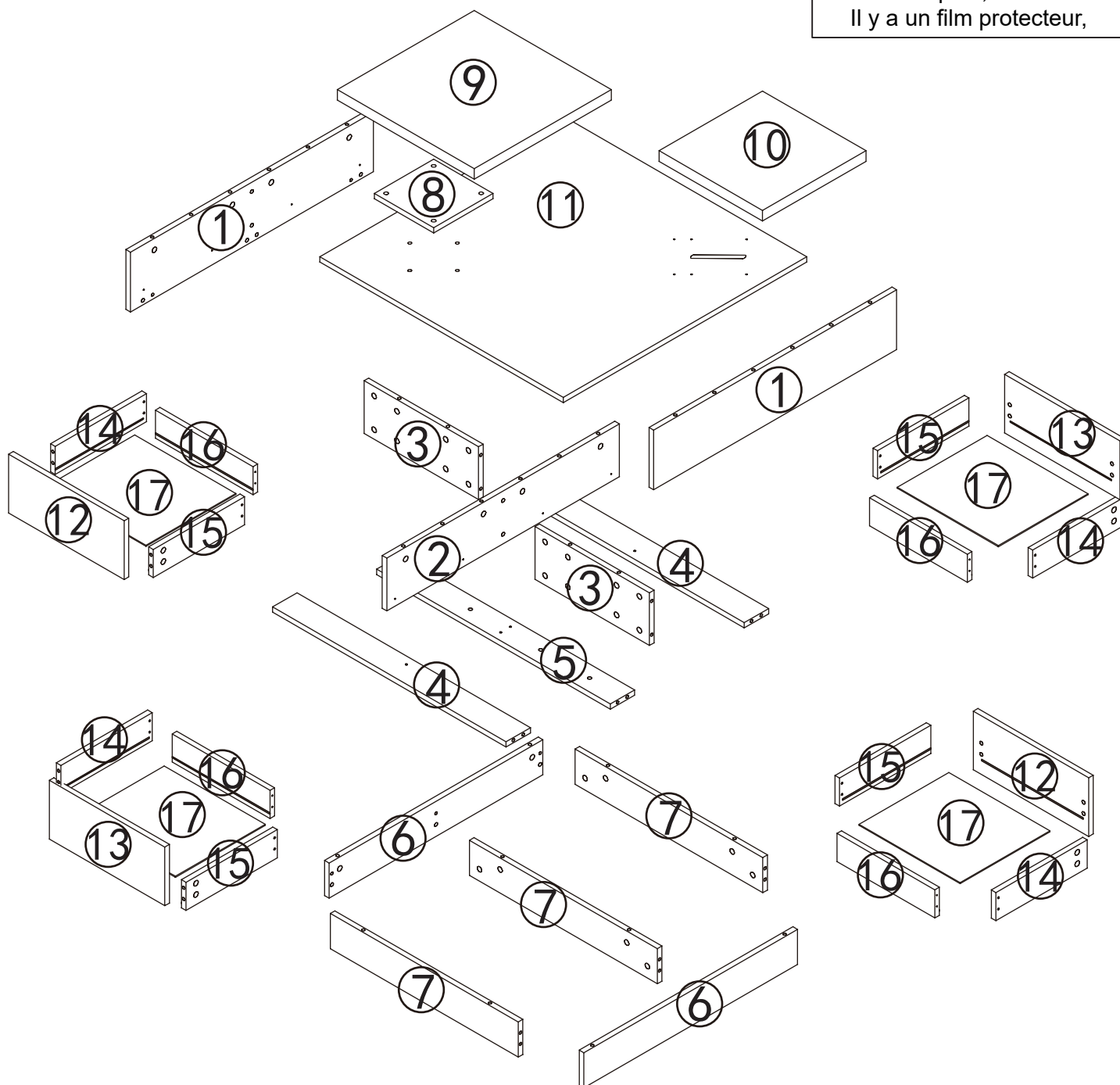


Assembly Instructions

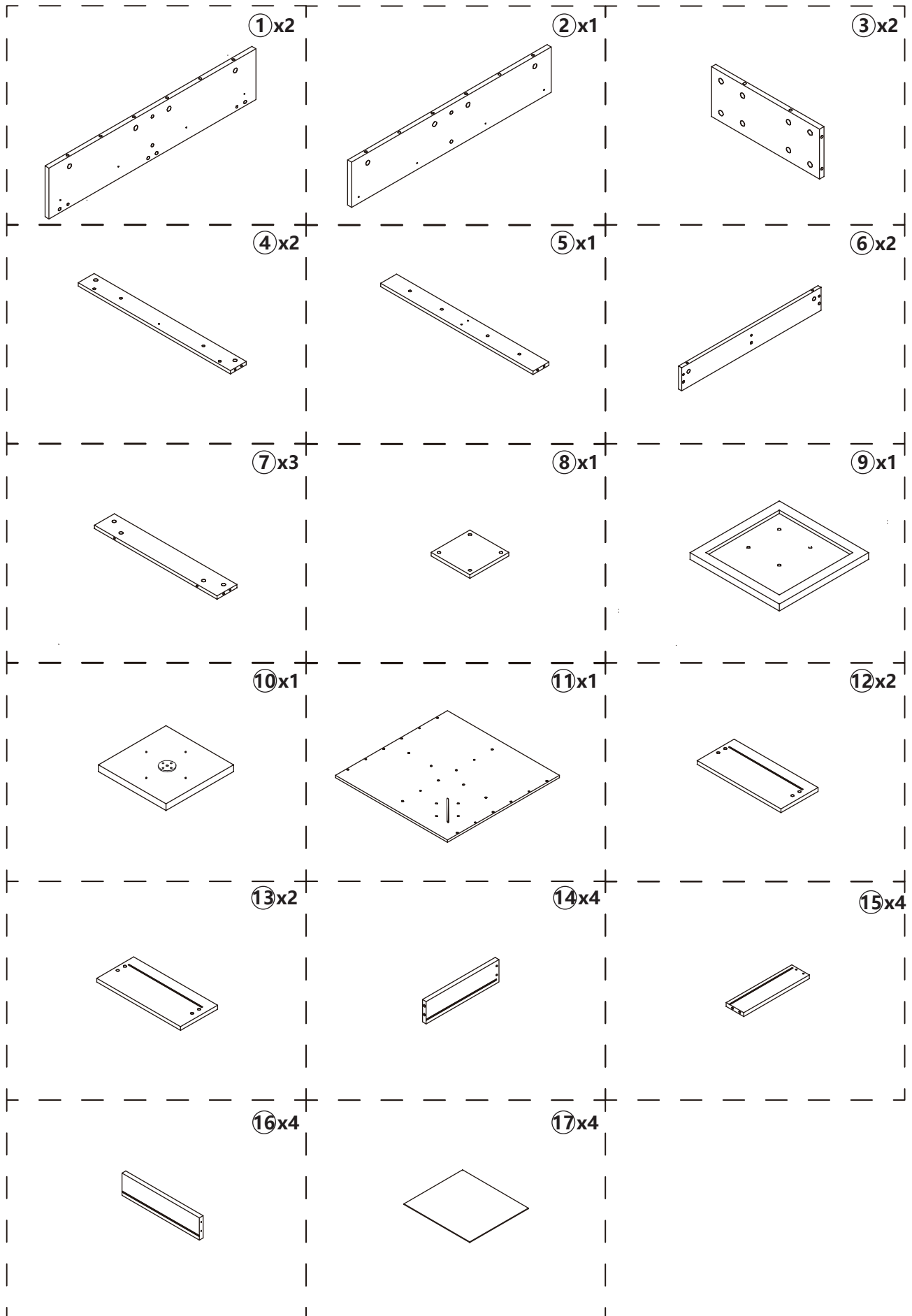


There is a protective film,
please tear it off.

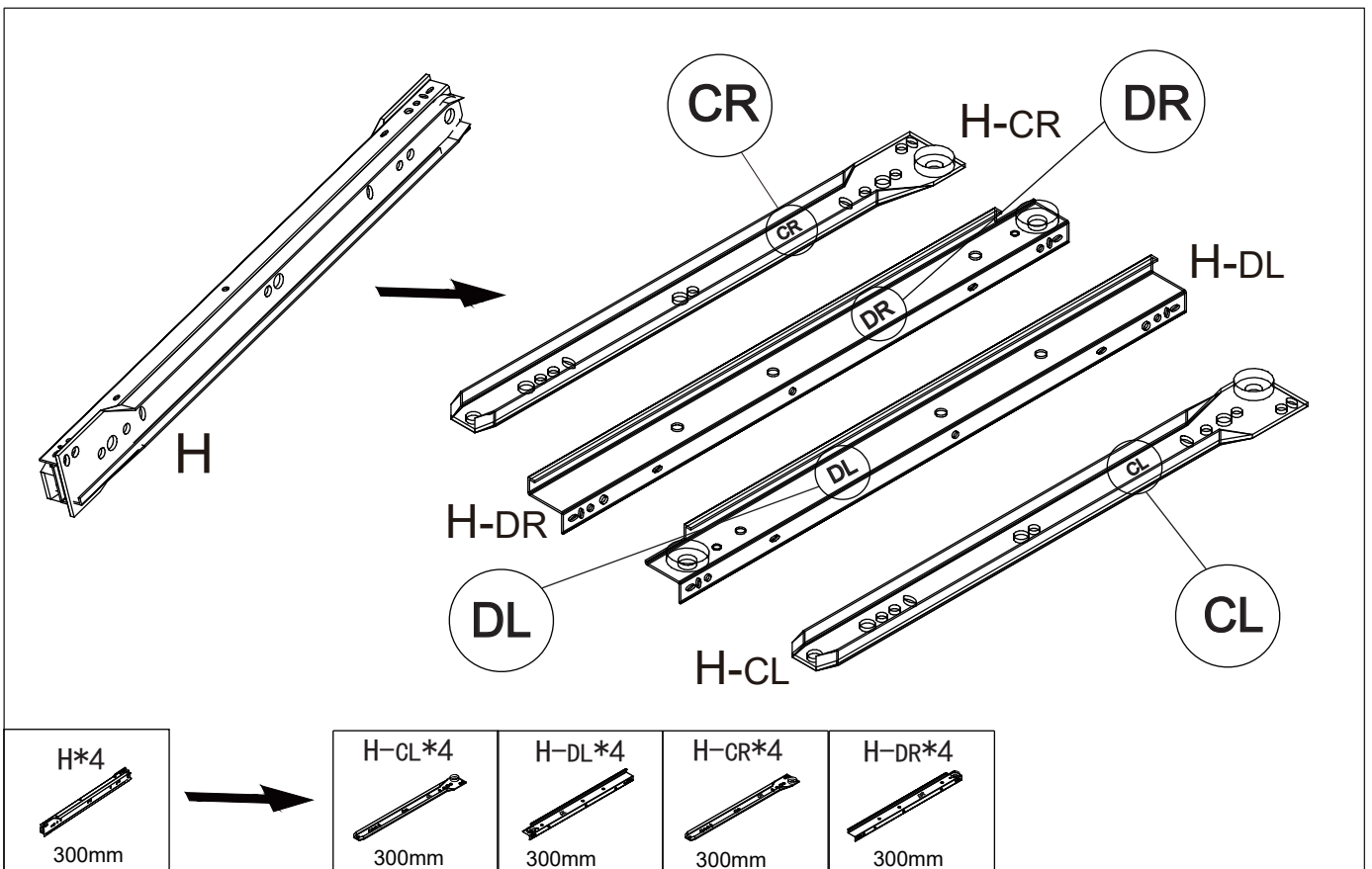
s'il vous plaît, déchirez-le.
Il y a un film protecteur,



Assembly Instructions



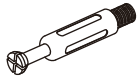

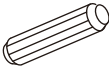

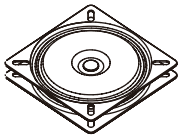
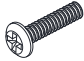
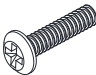
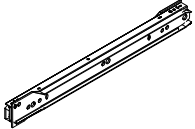
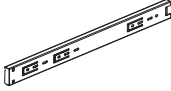

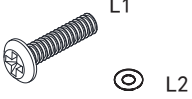
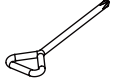

Assembly Instructions



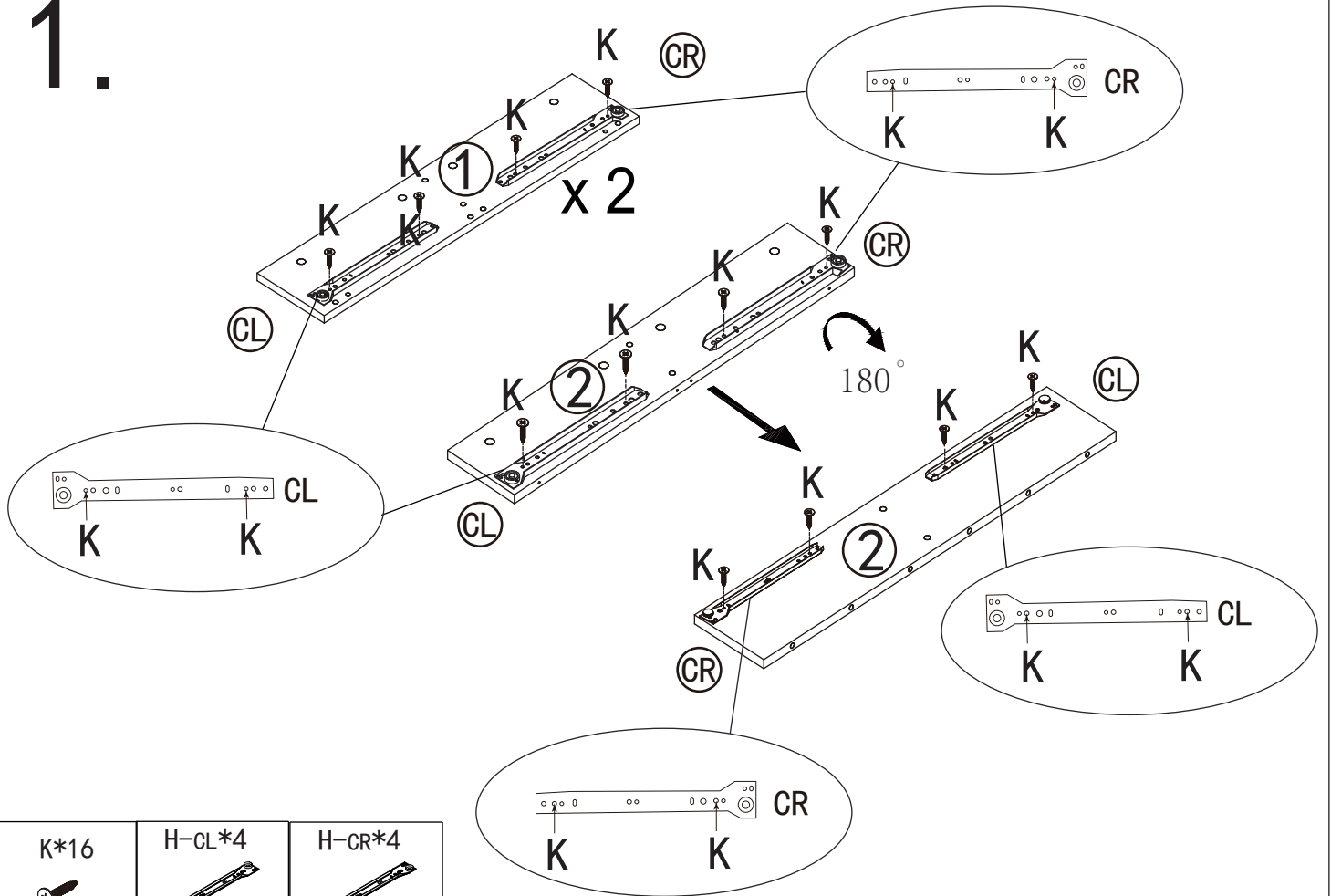
Components-Fittings




Please check you have all the panels listed below

Note: The quantities below are the correct amount to complete the assembly. In some cases more fittings may be supplied than are required.

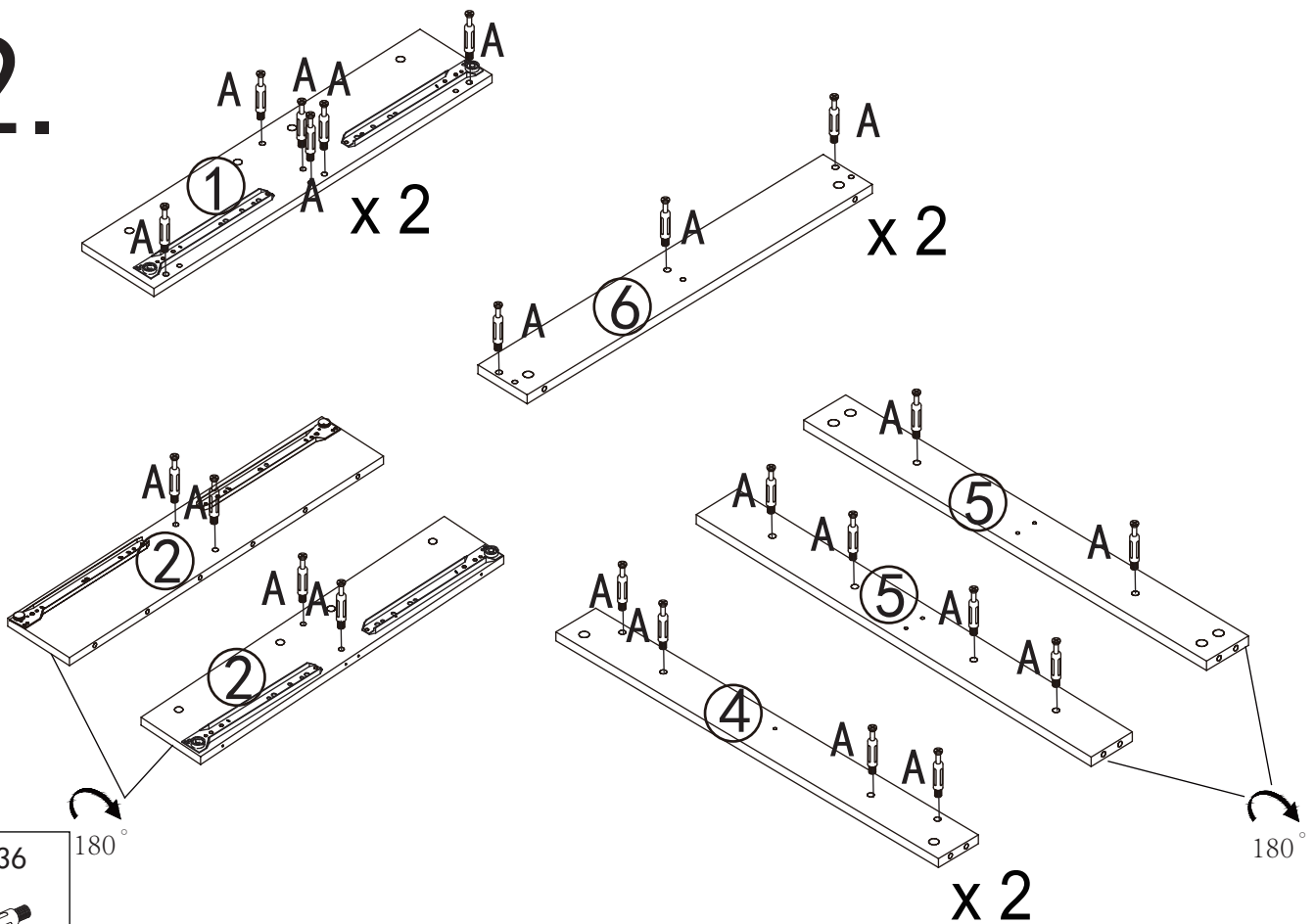
<p>(A)</p>  <p>Cam Bolt x 68+3</p>	<p>(B)</p>  <p>Cam Lock x 68+3</p>	<p>(C)</p>  <p>8*30mm Dowel x 16+1</p>	<p>(D)</p>  <p>3.5*40mm Screw x 20+1</p>
<p>(E)</p>  <p>195*195*22 mm turntable x 1</p>	<p>(F)</p>  <p>8*12mm Screw x 8+1</p>	<p>(G)</p>  <p>8*25mm Screw x 4+1</p>	<p>(H)</p>  <p>300mm Drawer slide x 4</p>
<p>(J)</p>  <p>250mm x 2</p>	<p>(K)</p>  <p>3.5*14mm Screw x 42+2</p>	<p>(L)</p>  <p>8*40mm Screw x 1</p>	<p>(M)</p>  <p>Screwdriver x 1</p>
<p>(N)</p>  <p>felt x 10+2</p>			


1.



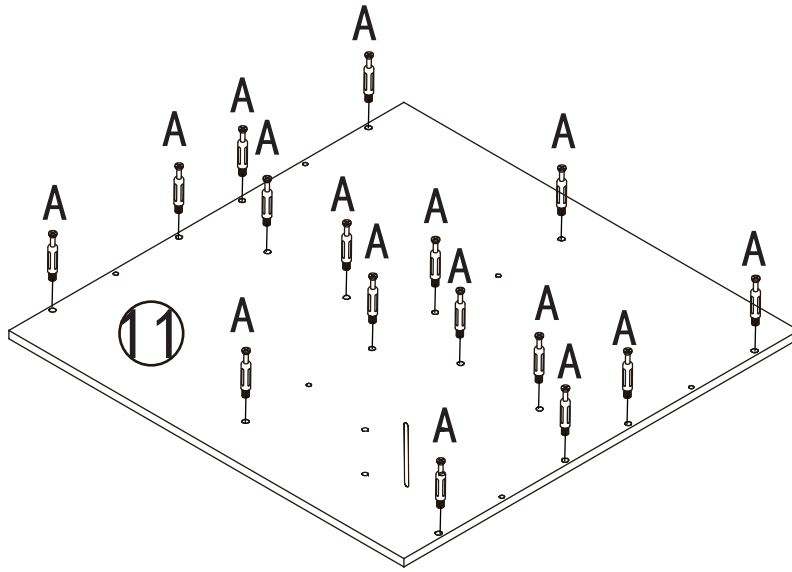
K*16  ø 3.5 x 14 mm	H-CL*4  300 mm	H-CR*4  300 mm
---	--	--

2.



A*36 

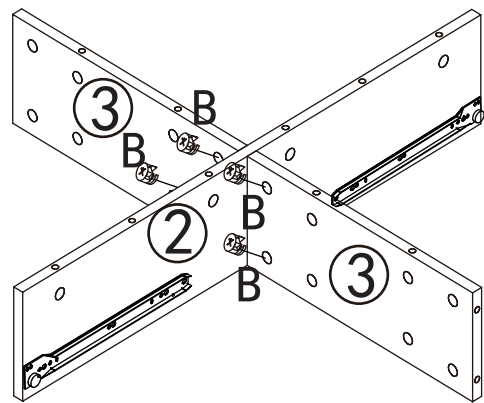
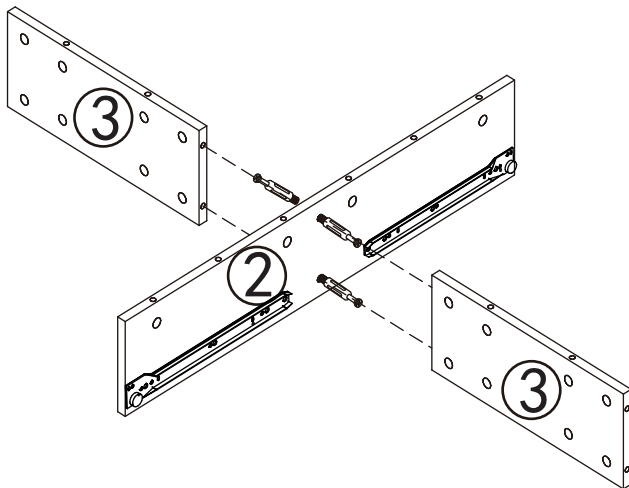
3.



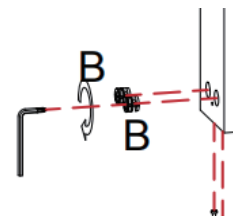
A*16



4.



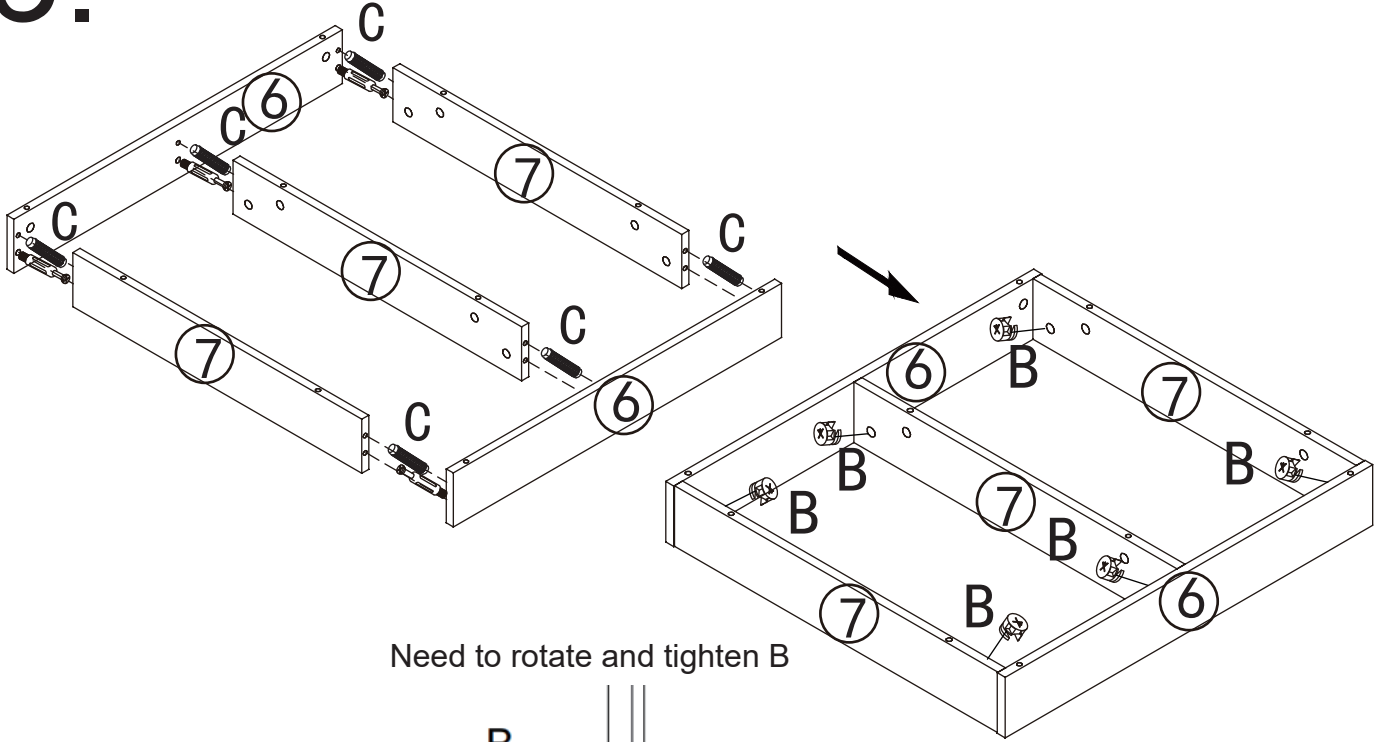
Need to rotate and tighten B



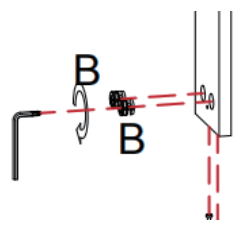
B*4


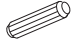


5.

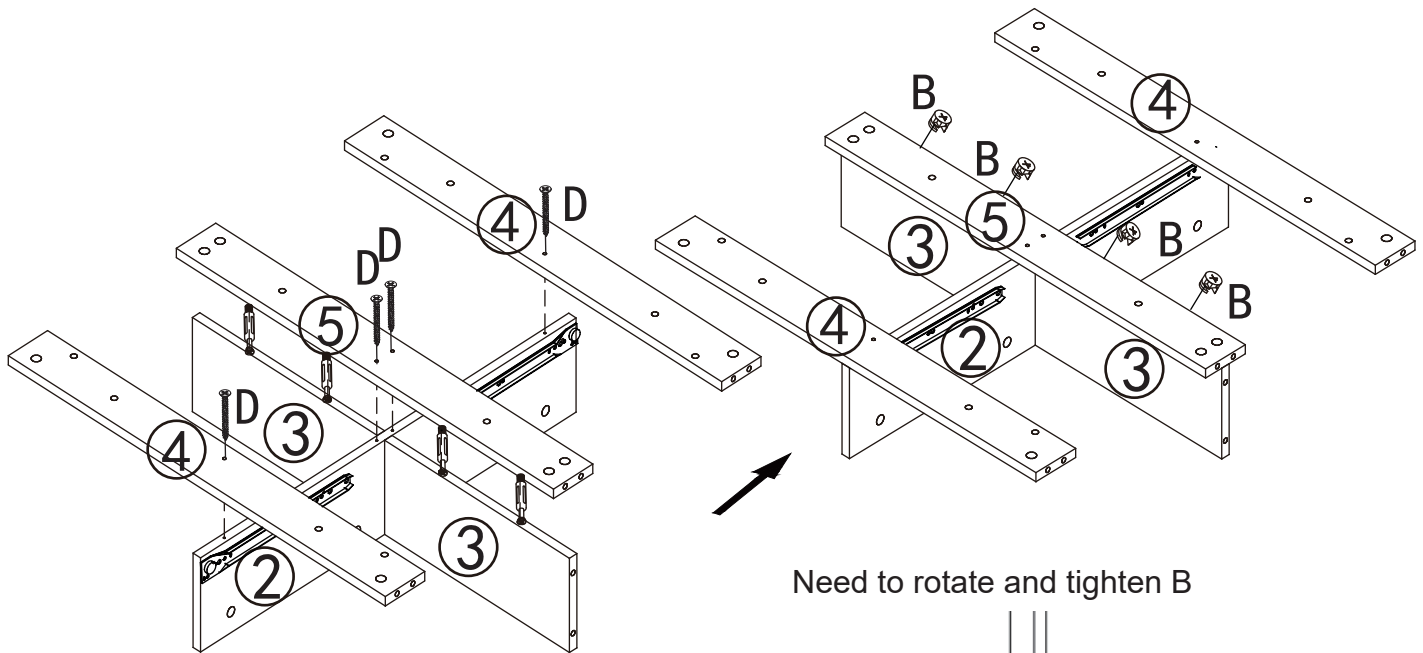


Need to rotate and tighten B

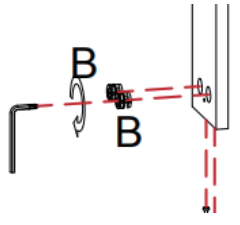




B*6 	C*6  Ø 8 x 30 mm
---	--

6.

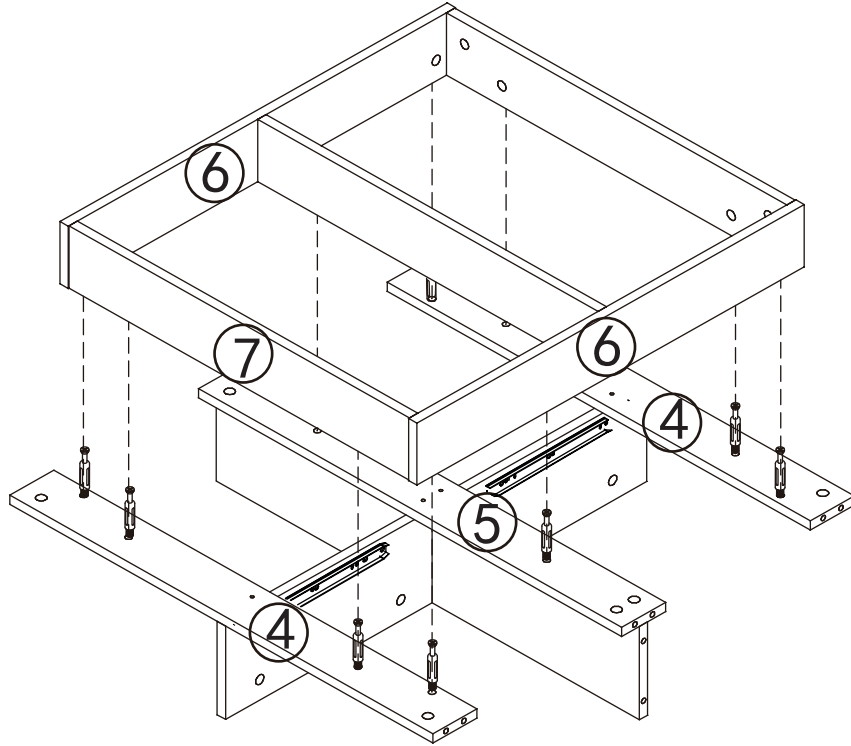


Need to rotate and tighten B

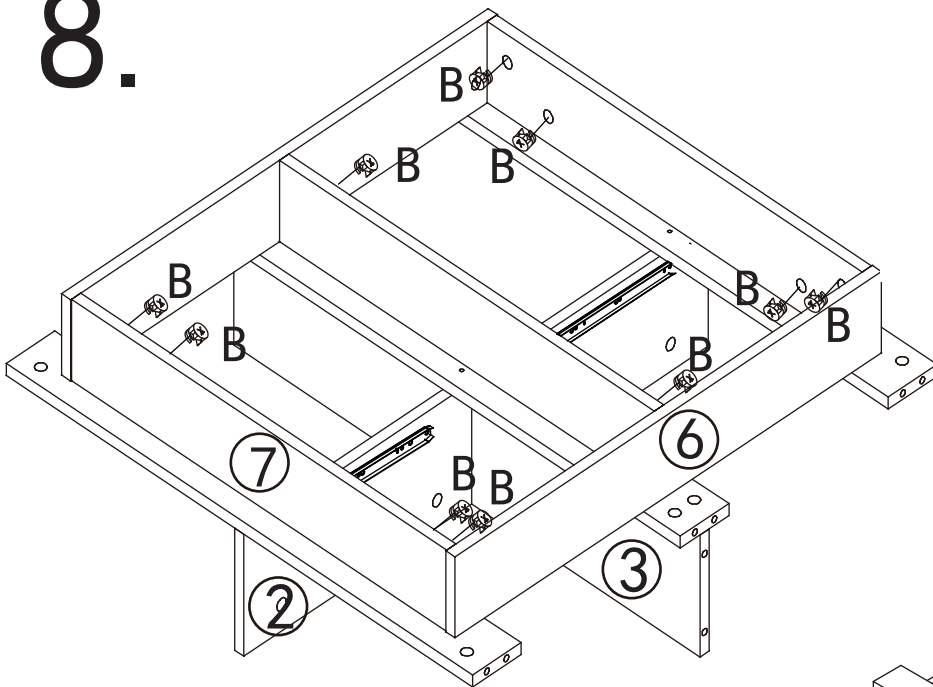


D*4  Ø 3.5 x 40 mm	B*4 
---	---

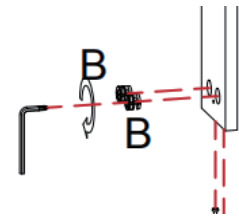
7.



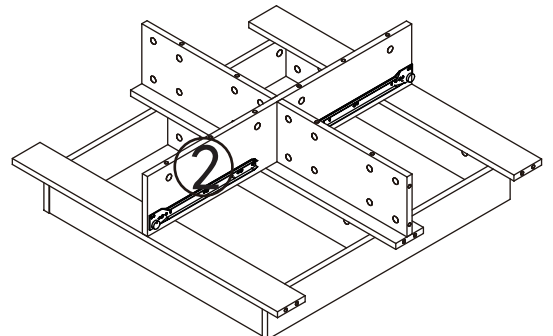
8.



Need to rotate and tighten B



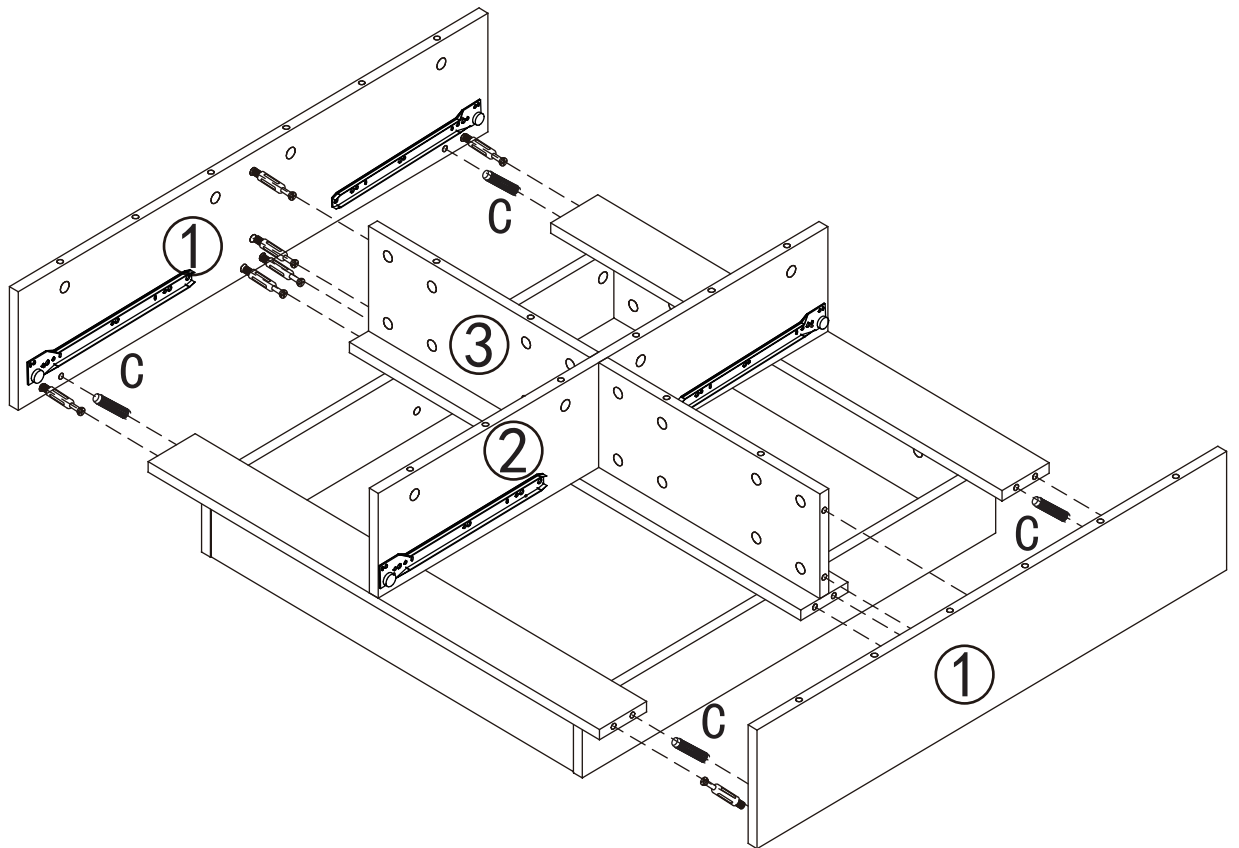
180°



B*10



9.

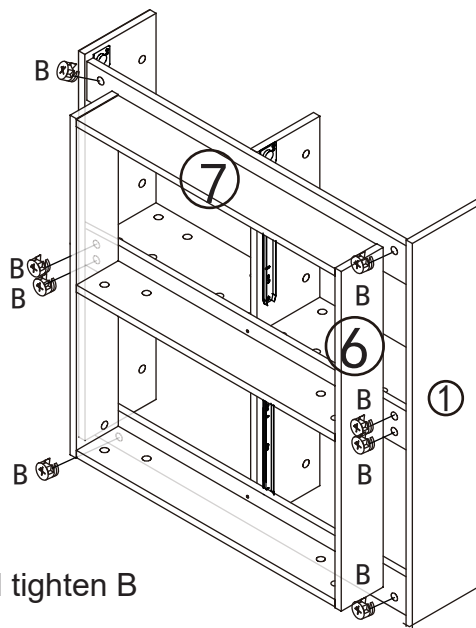
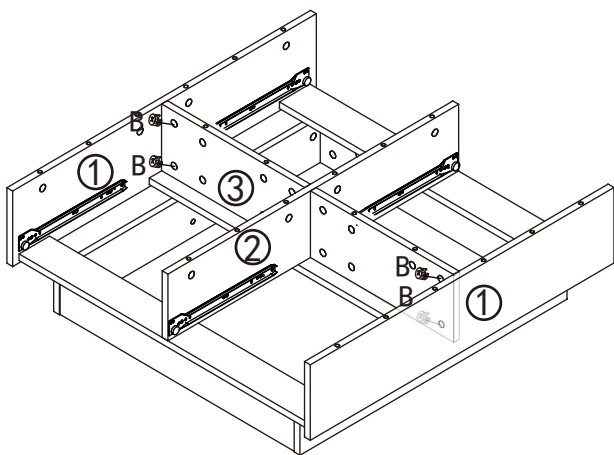


C*4

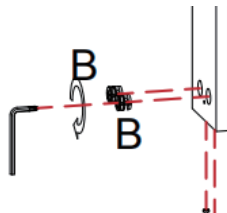


∅8 x 30 mm

10.



Need to rotate and tighten B

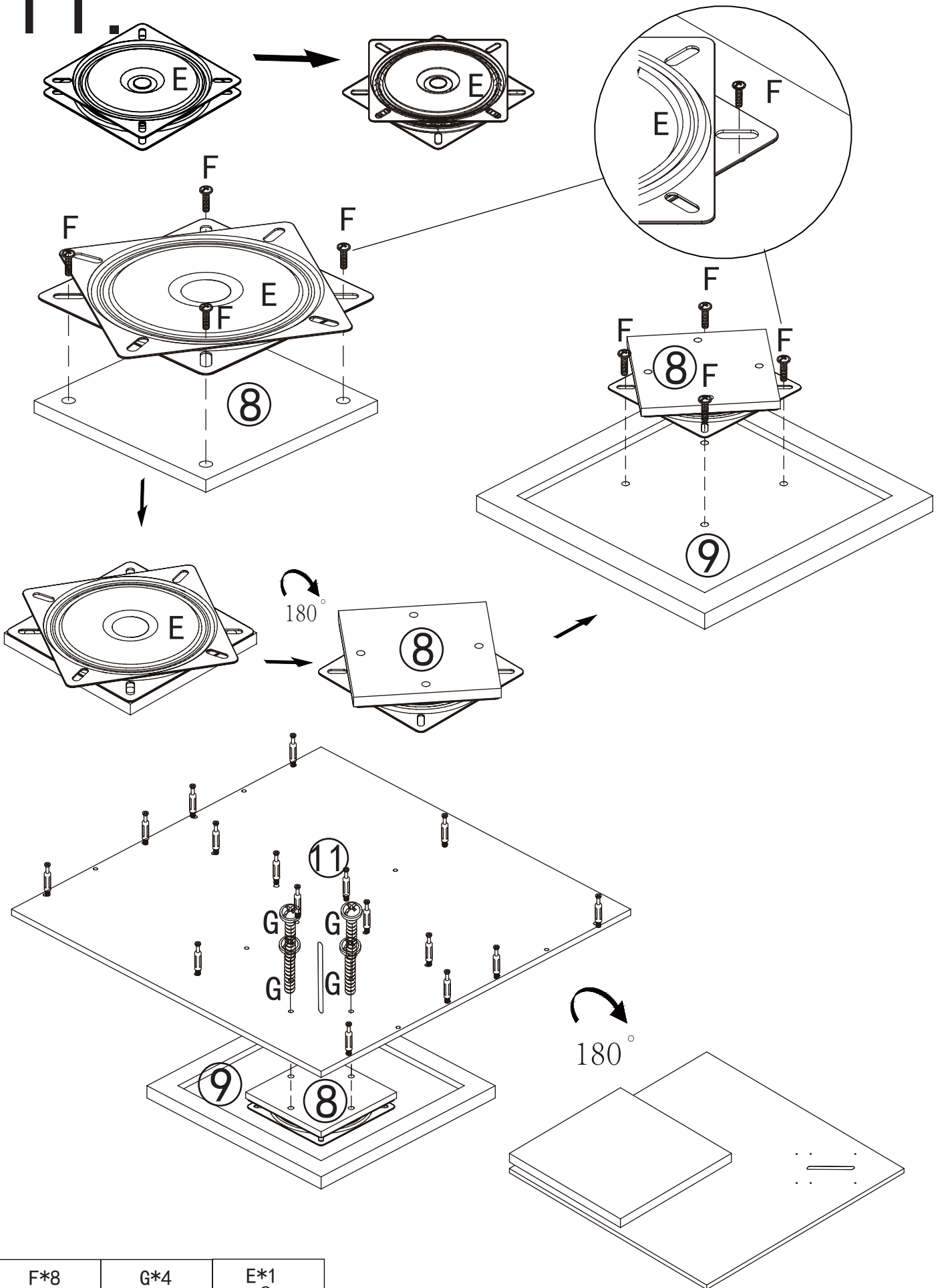


B*12



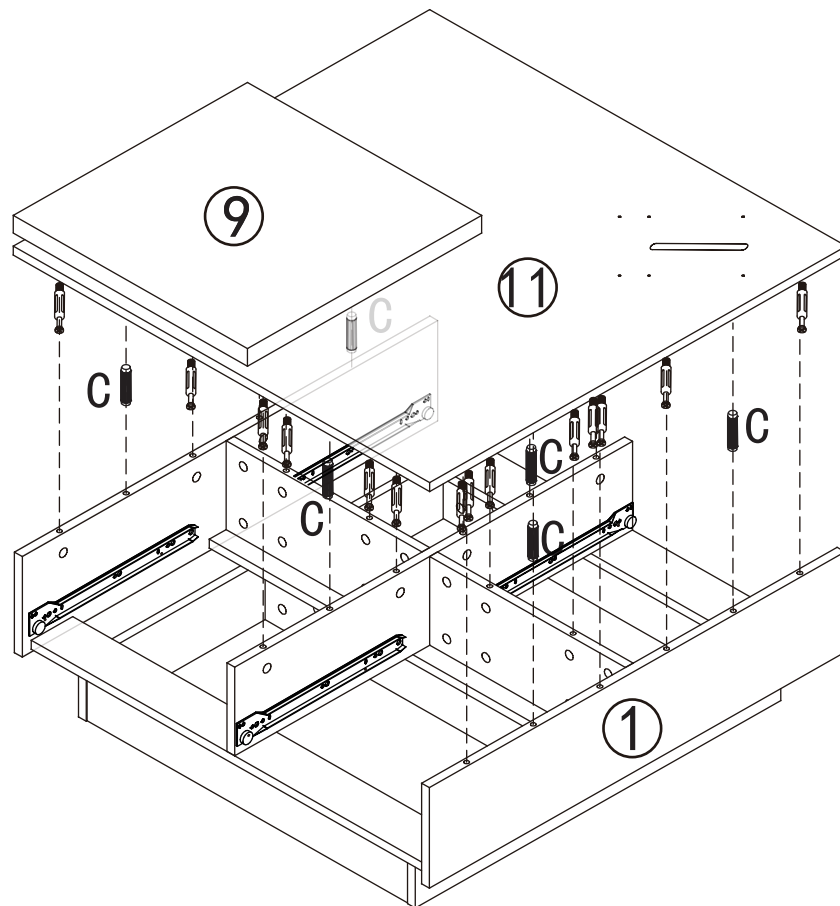
11

Install part E on part 14 Installer la partie E sur la pièce 14



F*8  Ø8 x 12 mm	G*4  Ø8 x 25 mm	E*1 
---	---	---

12.



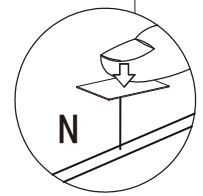
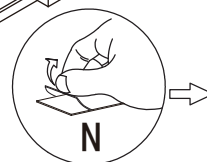
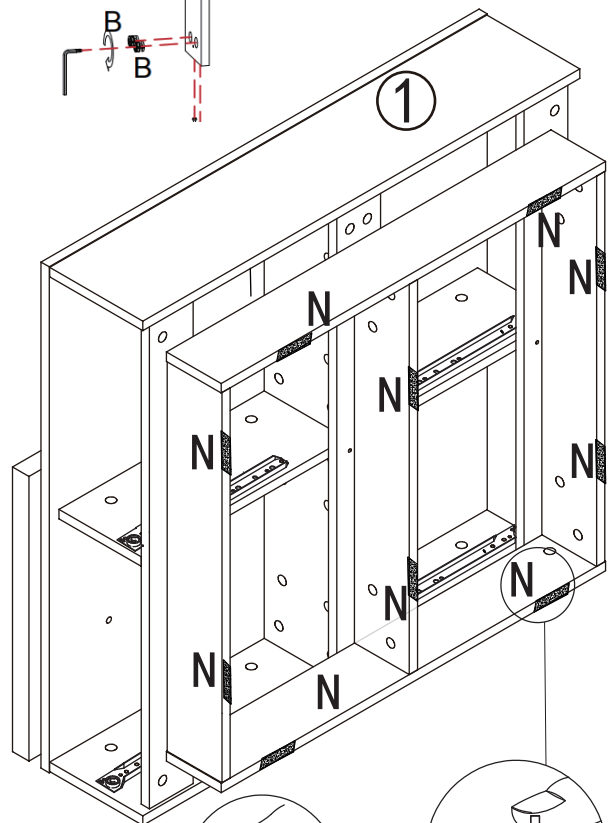
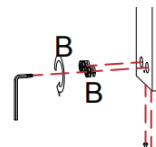
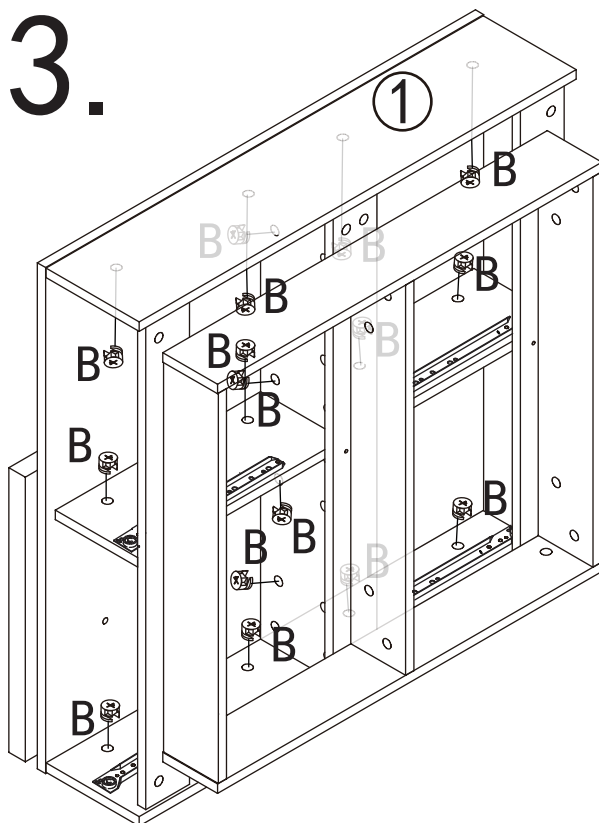
C*6



∅8 x 30 mm

Need to rotate and tighten B

13.



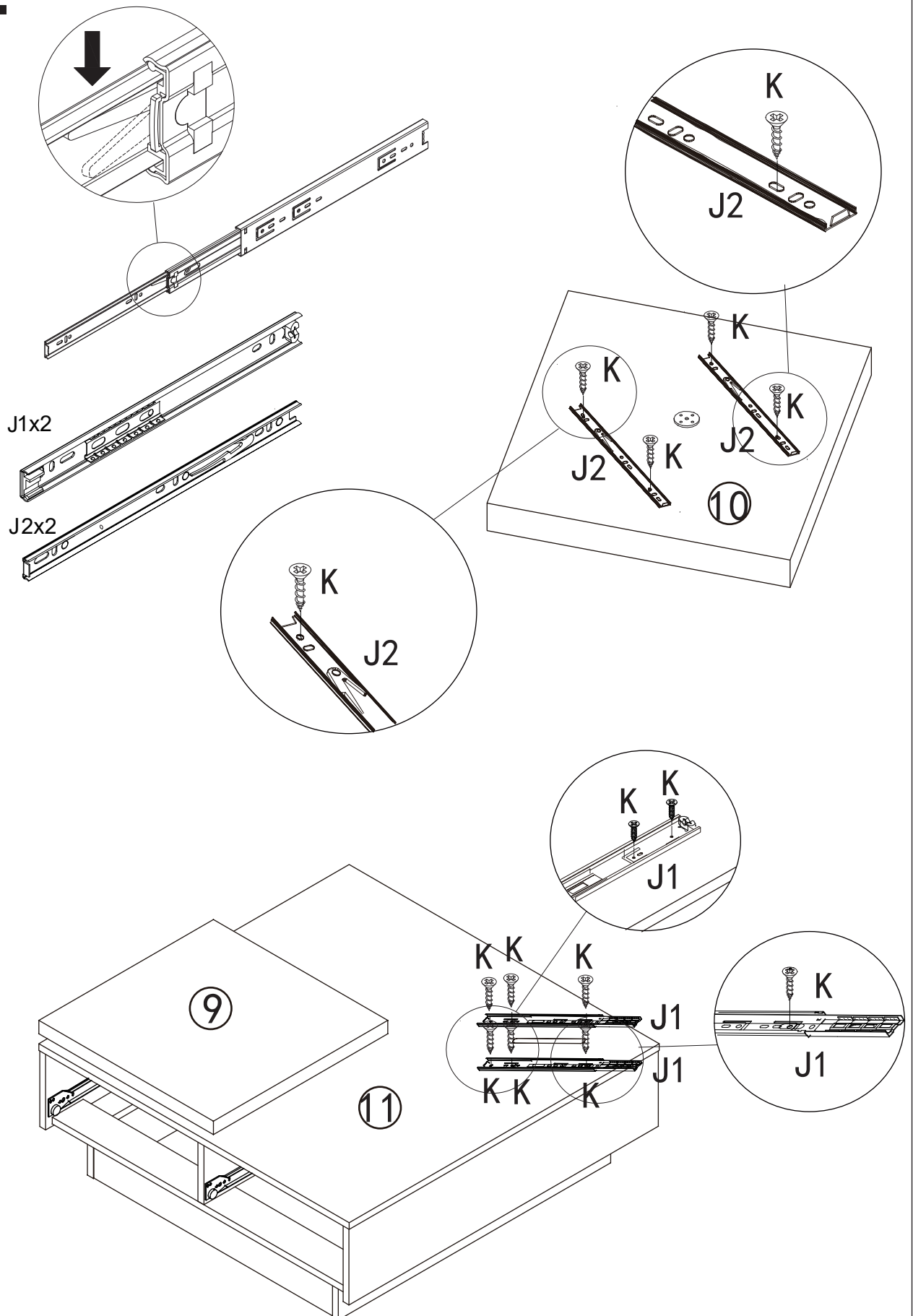
B*16



N*10



14.



K*10



∅ 3.5 x 14 mm

J-J1*2



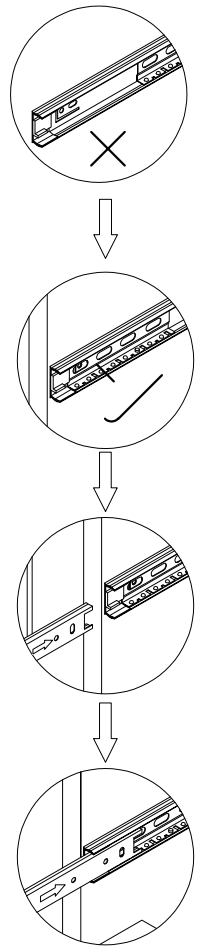
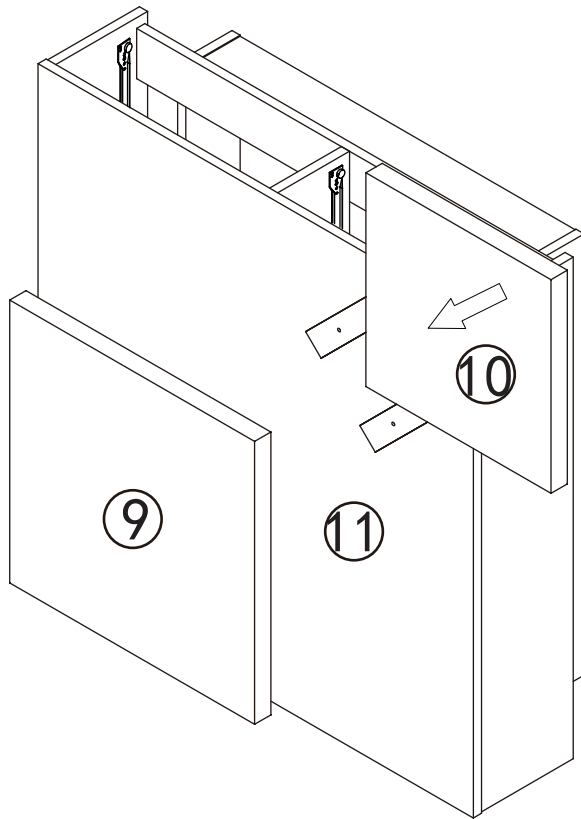
250 mm

J-J2*2



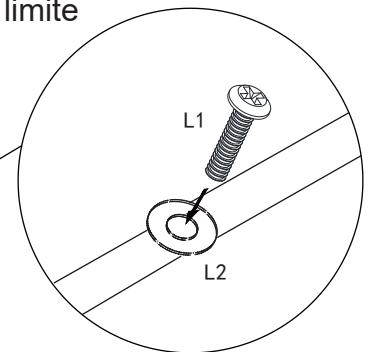
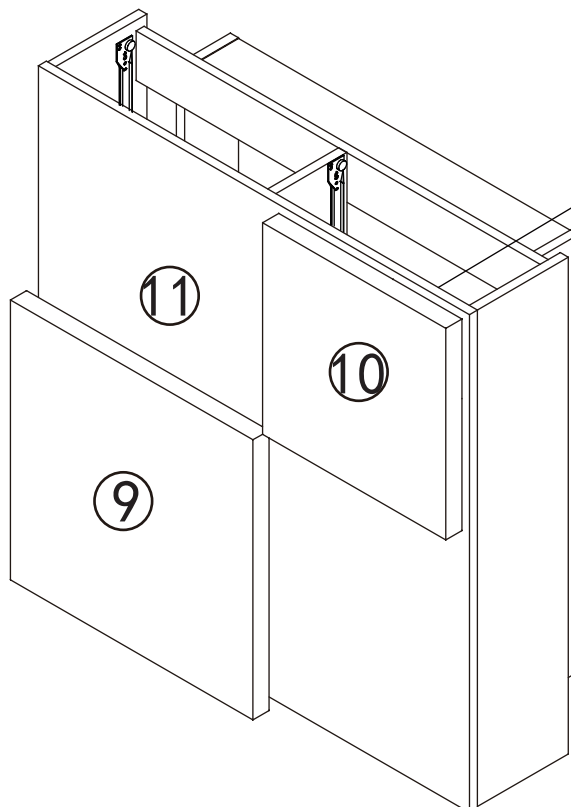
250 mm

15.



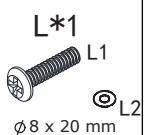
16.

Thread I1 through I2 and fix it through the limit groove
Enfilez I1 à travers I2 et fixez-le à travers la rainure de limite

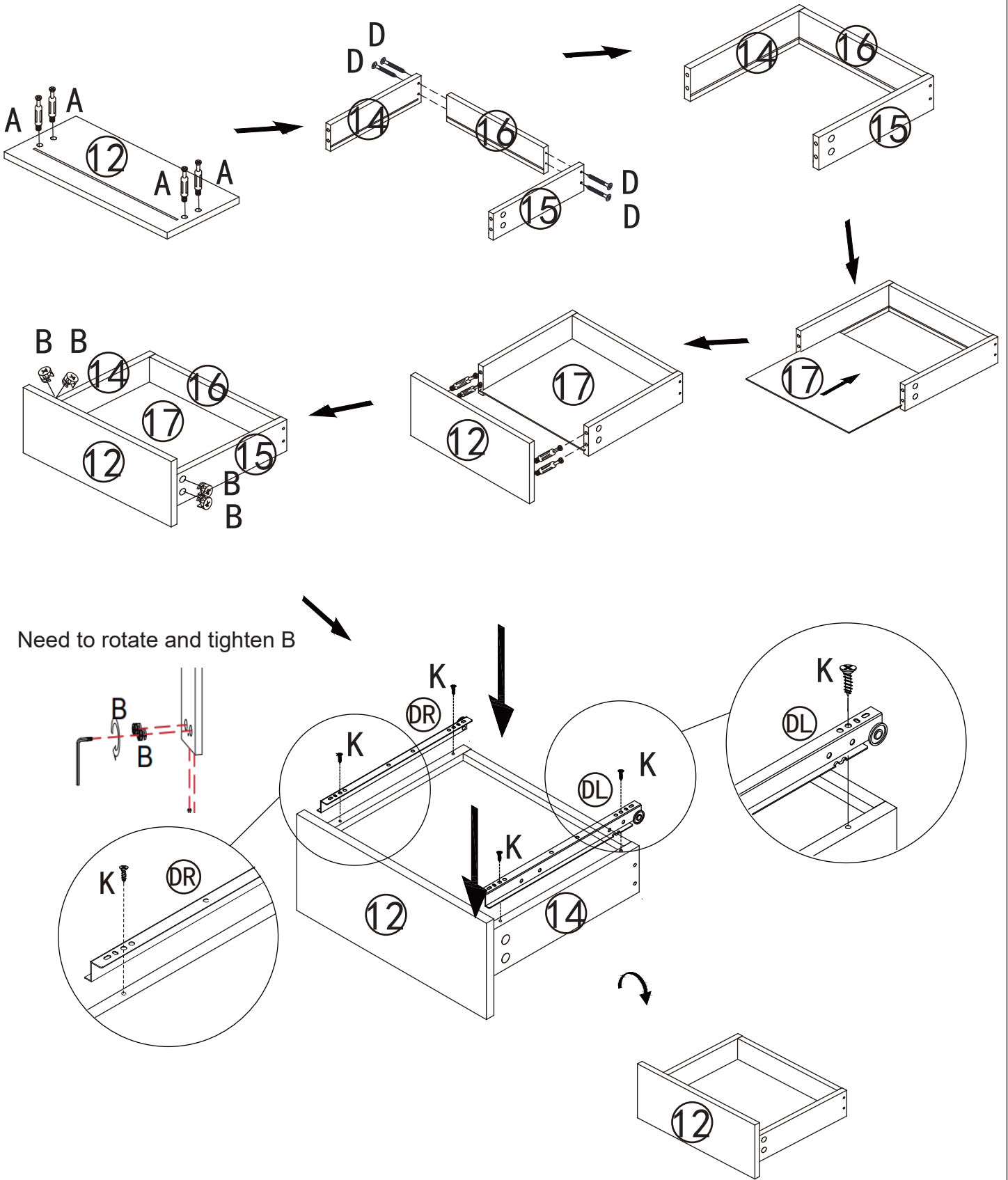


L1 cannot lock up the space for plate 10 to push and pull activities







L1 ne peut pas verrouiller le espace pour la plaque 10 à Activités de poussée et de traction



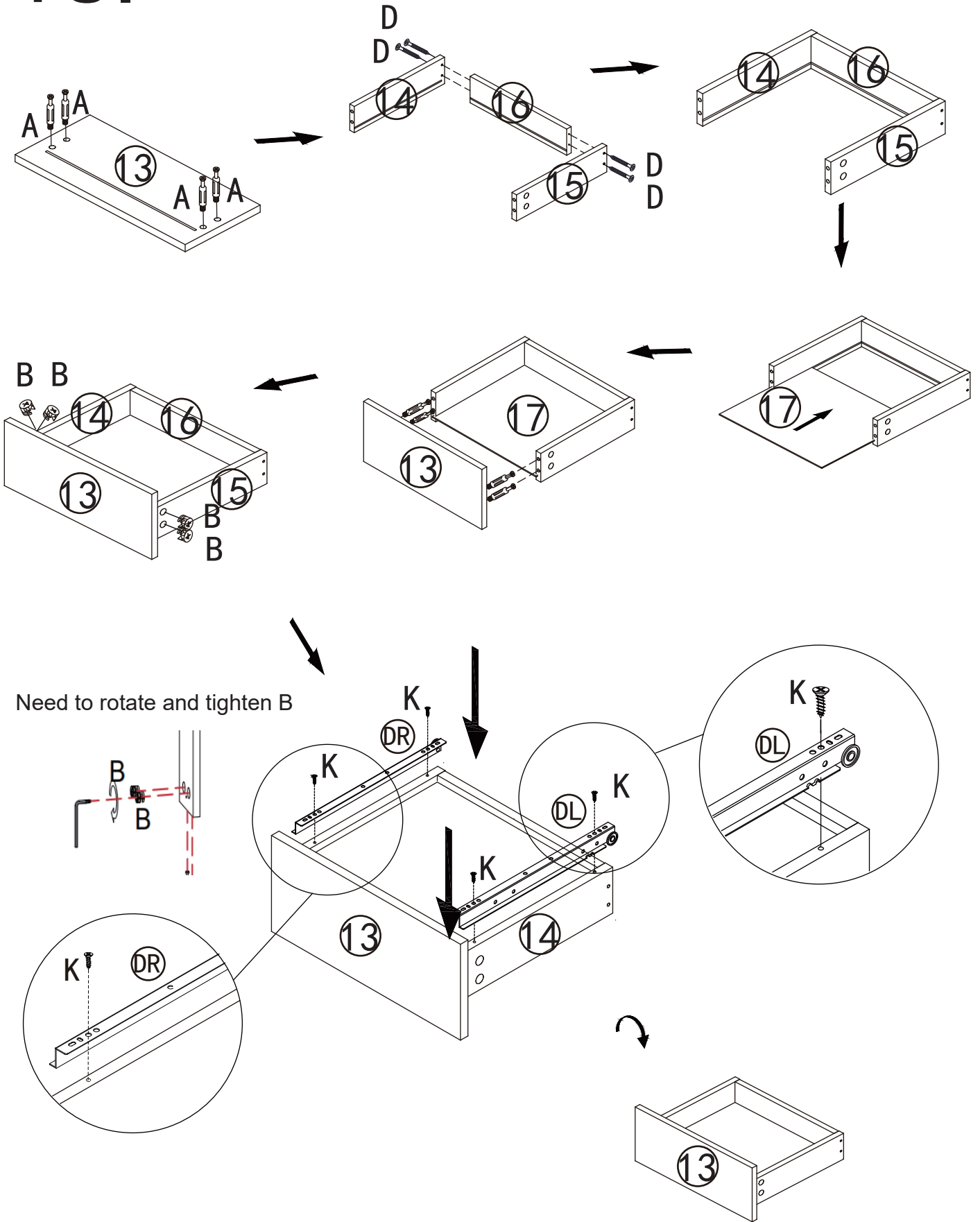
17.x2









Need to rotate and tighten B

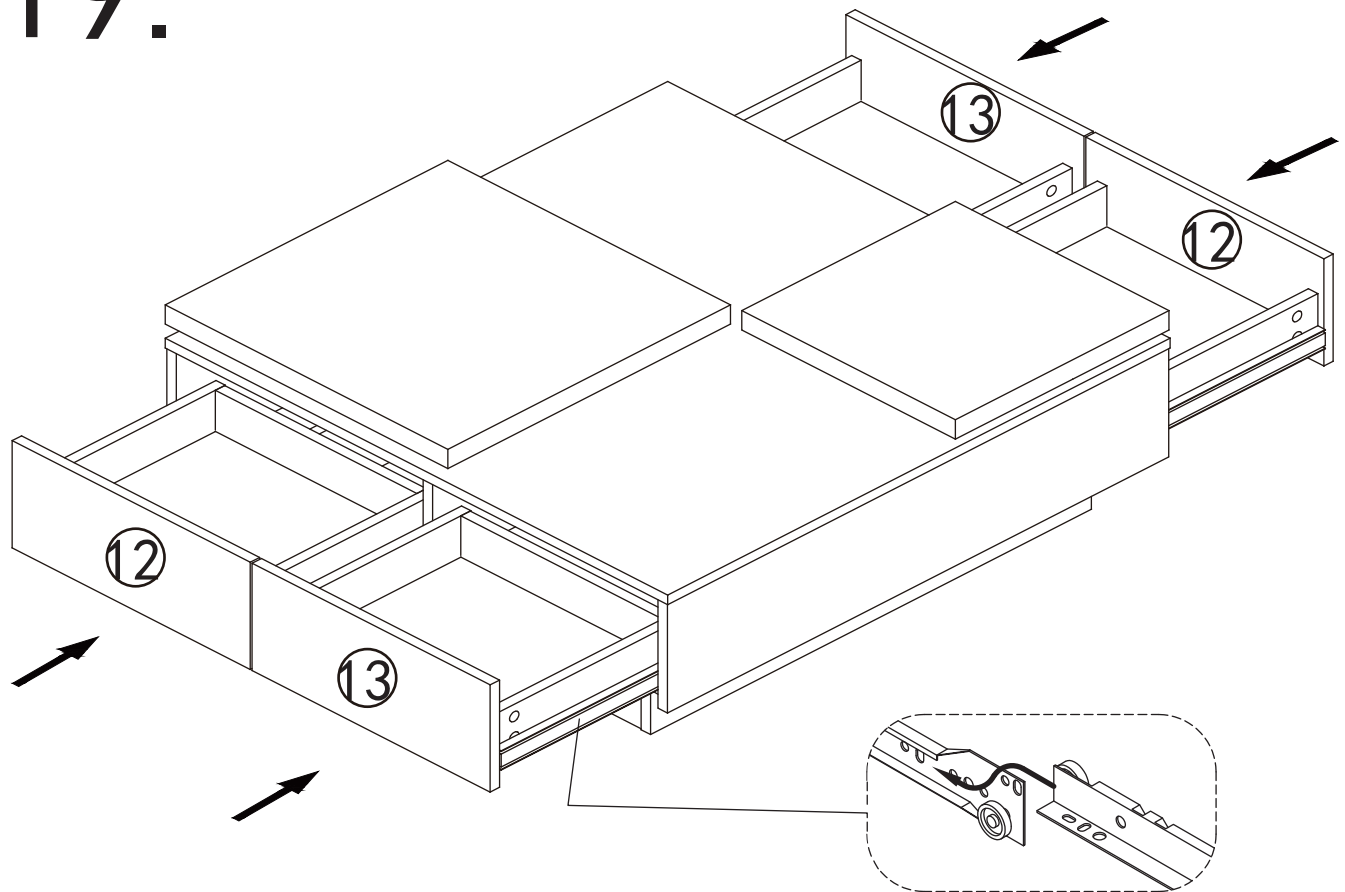
<p>K*8</p>  <p>ø 3.5 x 14 mm</p>	<p>B*8</p> 	<p>D*8</p>  <p>ø 3.5 x 40 mm</p>	<p>A*8</p> 	<p>H-DL*2</p>  <p>300 mm</p>	<p>H-DR*2</p>  <p>300 mm</p>
---	--	---	--	---	--

18. x 2

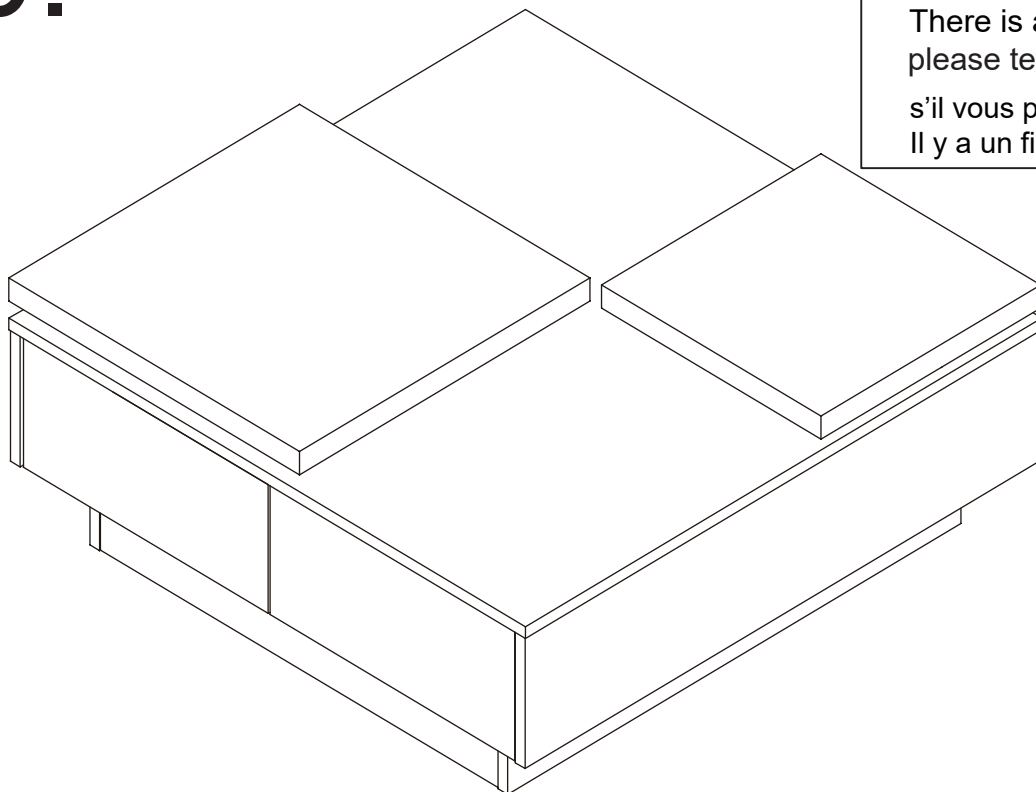


K*8	B*8	D*8	A*8	H-DL*2	H-DR*2
					
∅3.5 x 14 mm		∅3.5 x 40 mm		300 mm	300 mm

19.



20.



There is a protective film,
please tear it off.
s'il vous plaît, déchirez-le.
Il y a un film protecteur,

