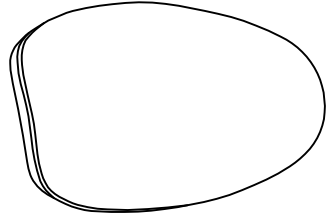


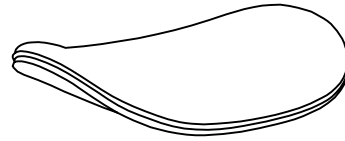


PARTS LIST

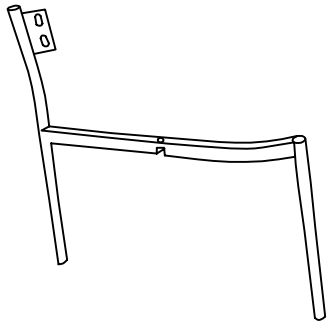
A*1pcs



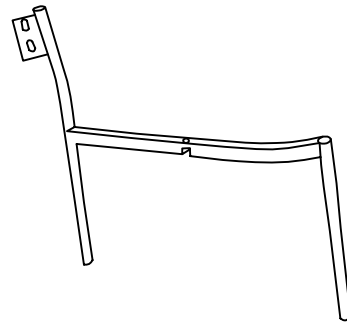
B*1pcs



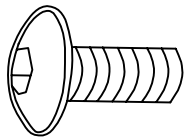
C*1pcs



D*1pcs

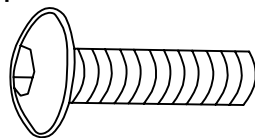


E*4+1pcs



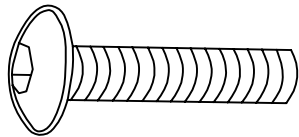
M6*18mm

F*1+1pcs



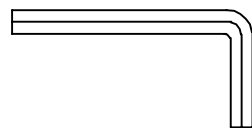
M6*40mm

G*4+1pcs



M6*60mm

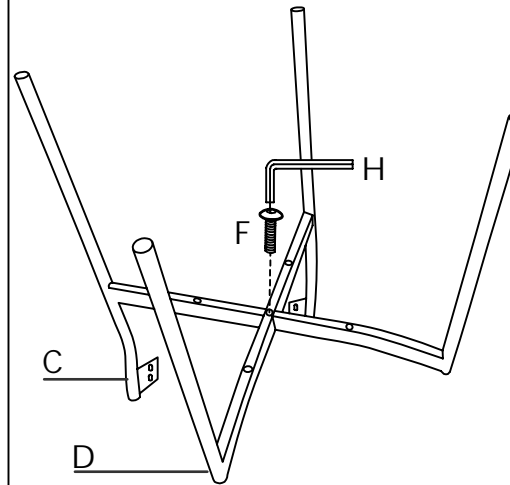
H*1pcs



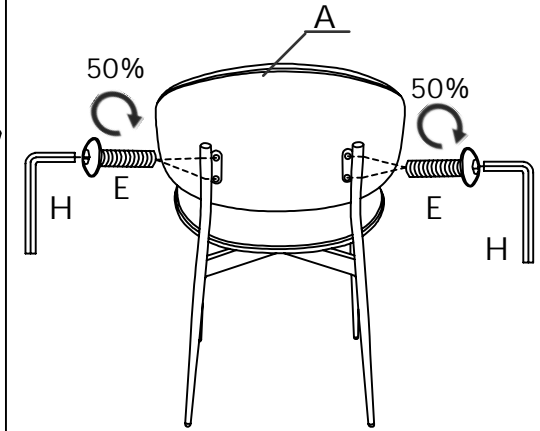
M6

ASSEMBLY INSTRUCTION

①

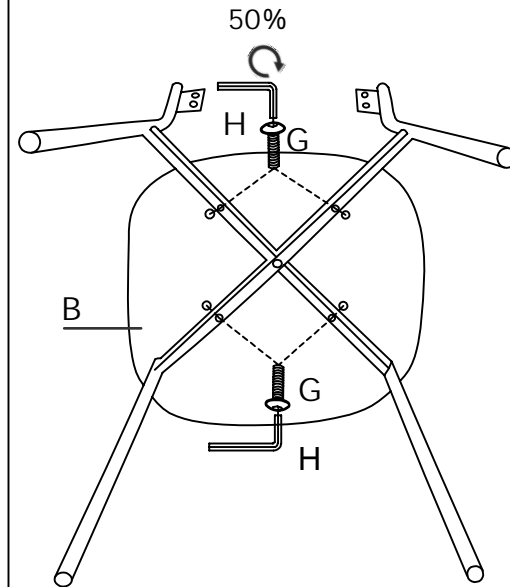


③



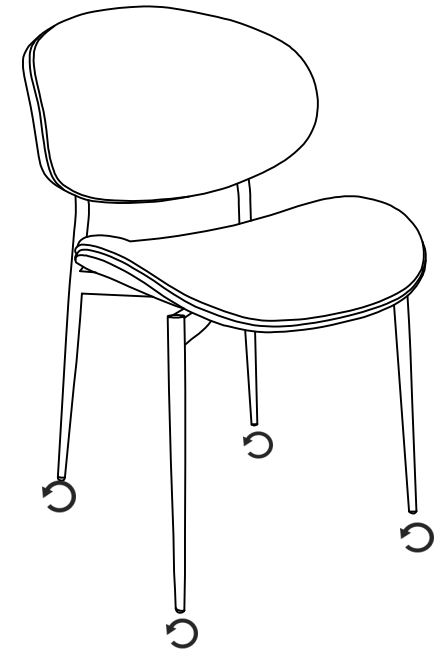
After the four screws (E) are fixed in place, tightening the screws E&G

②



Please do not tighten before aligning the screw hole

④



Foot nails can be adjusted according to their own needs.