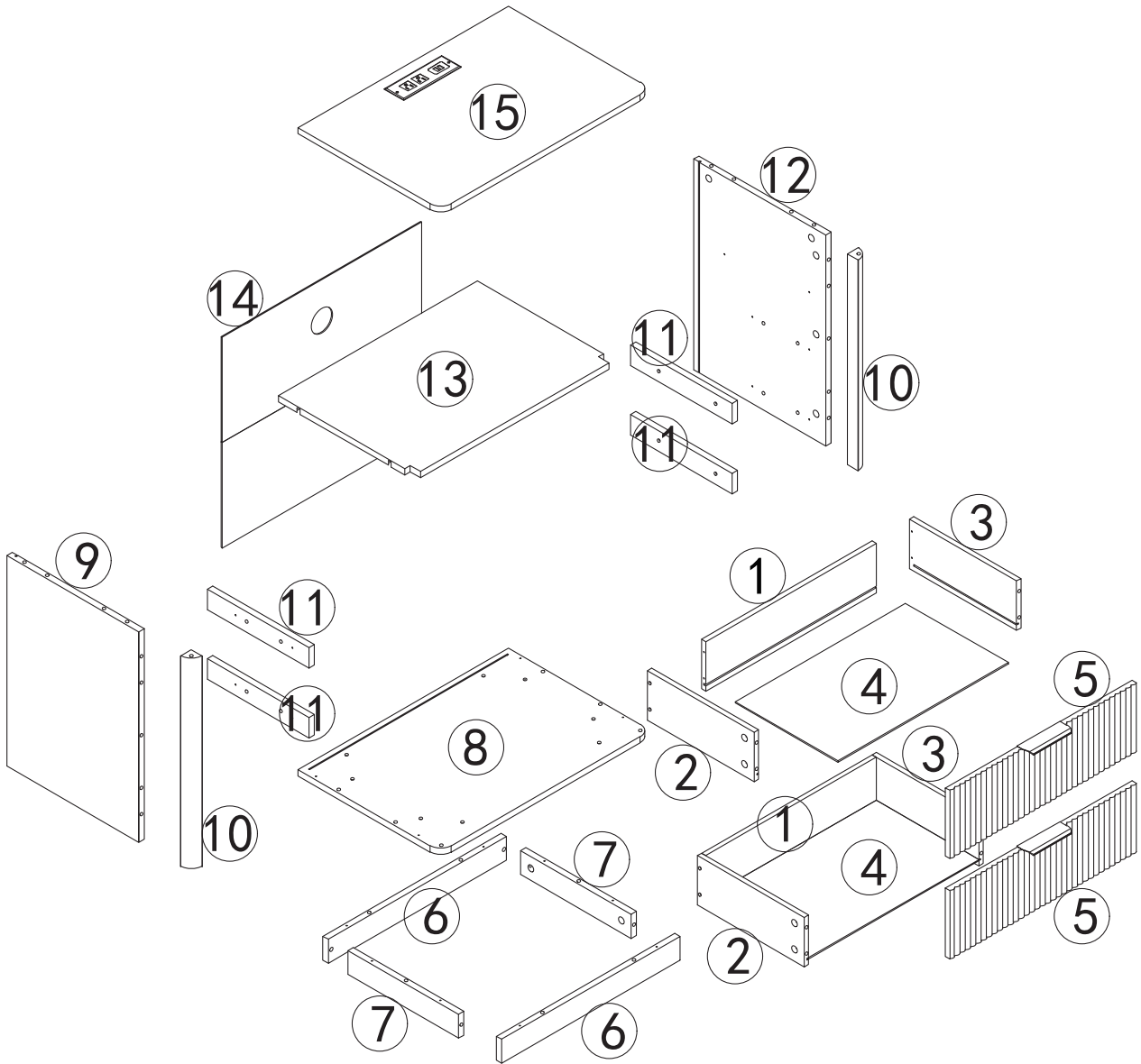


BESIDE TABLE

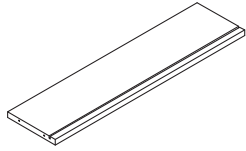
USER MANUAL

1

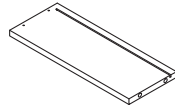
ASSEMBLY INSTRUCTIONS



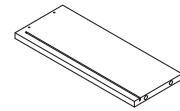
PACKAGING LIST



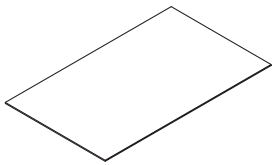
① x2



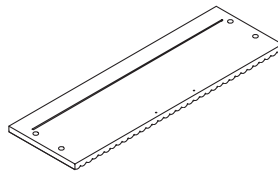
② x2



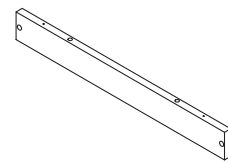
③ x2



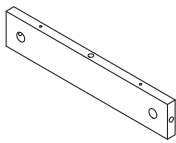
④ x2



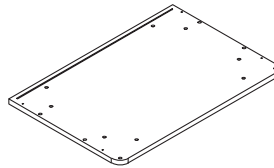
⑤ x2



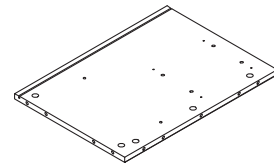
⑥ x2



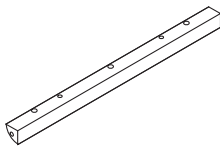
⑦ x2



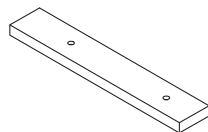
⑧ x1



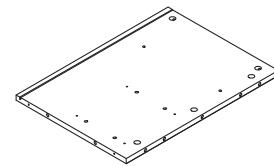
⑨ x1



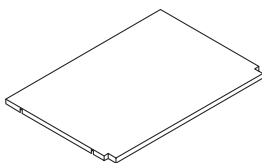
⑩ x2



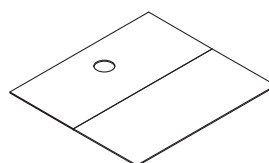
⑪ x4



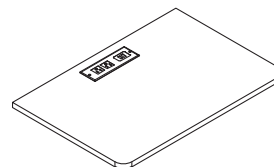
⑫ x1



⑬ x1

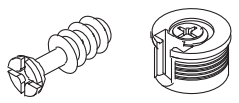
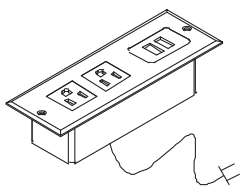
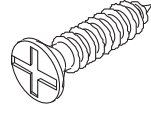
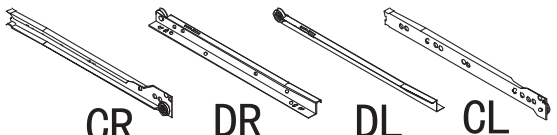
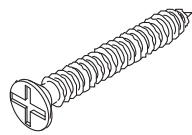
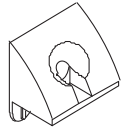

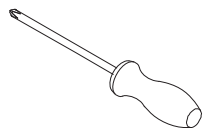


⑭ x1



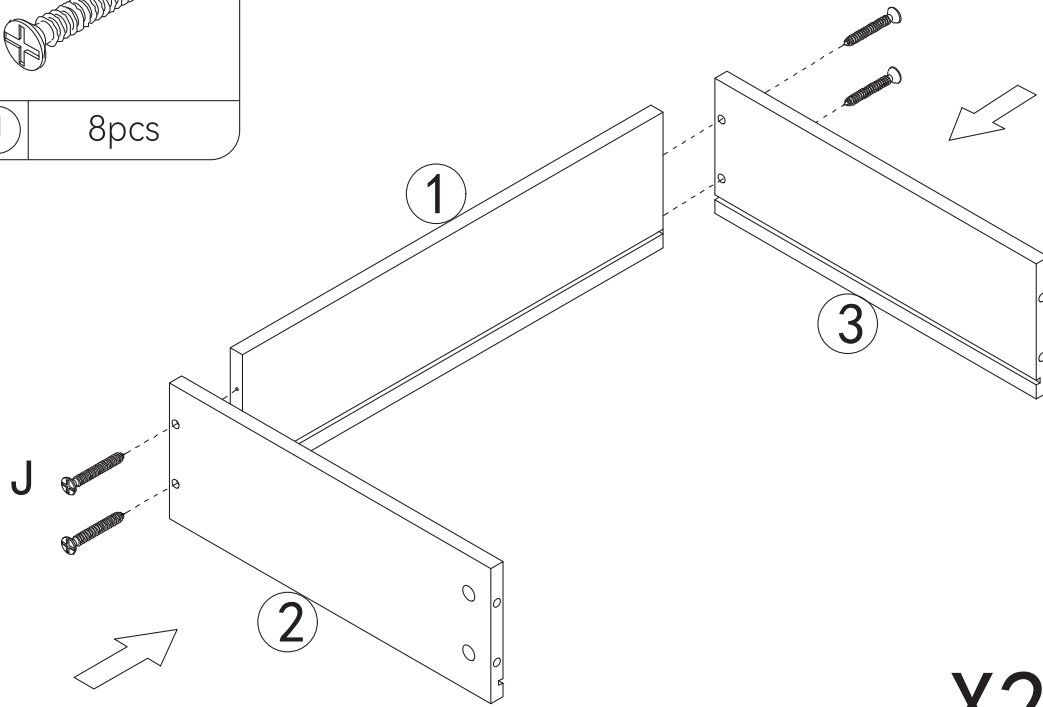
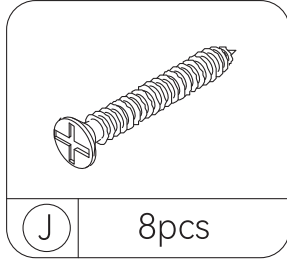
⑮ x1

PACKAGING LIST

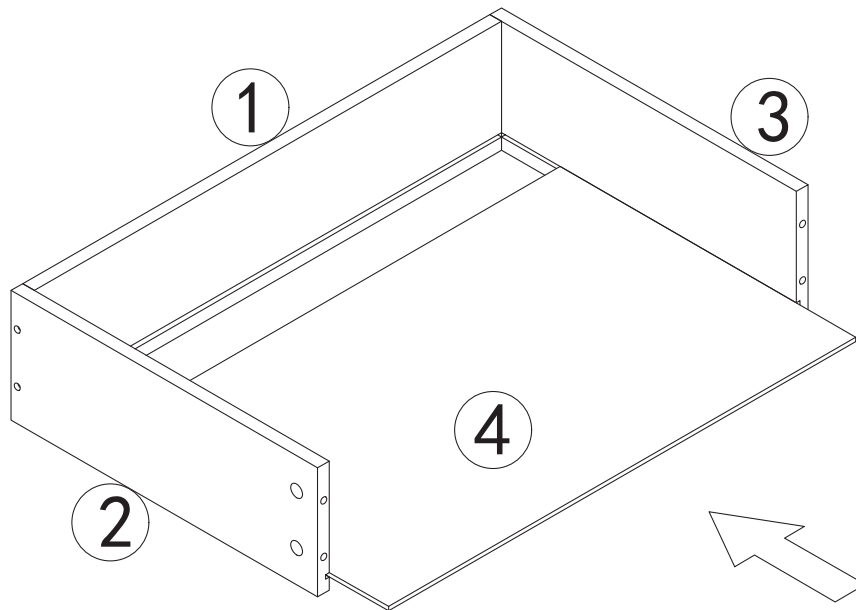
<p>∅ 7*40</p>  <p>(A) 22+2pcs</p>	<p>∅ 15*10</p>  <p>(B) 22+2pcs</p>	<p>∅ 8*30</p>  <p>(C) 22+2pcs</p>	<p>∅ 8*20</p>  <p>(D) 8pcs</p>
<p>∅ 22*12 ∅ 6*15</p>  <p>(E) 4 sets</p>	<p>M3*14</p>  <p>(F) 2 sets</p>	 <p>(G) 1pc</p>	<p>M3.5*14</p>  <p>(H) 22+2pcs</p>
 <p>CR DR DL CL</p> <p>(I) 2 sets</p>	<p>M4*40</p>  <p>(J) 20+2pcs</p>	<p>M3.5*25</p>  <p>(K) 8pcs</p>	
 <p>(L) 4pcs</p>	 <p>(M) 8pcs</p>	 <p>(N) 1pc</p>	

4

STEP 1

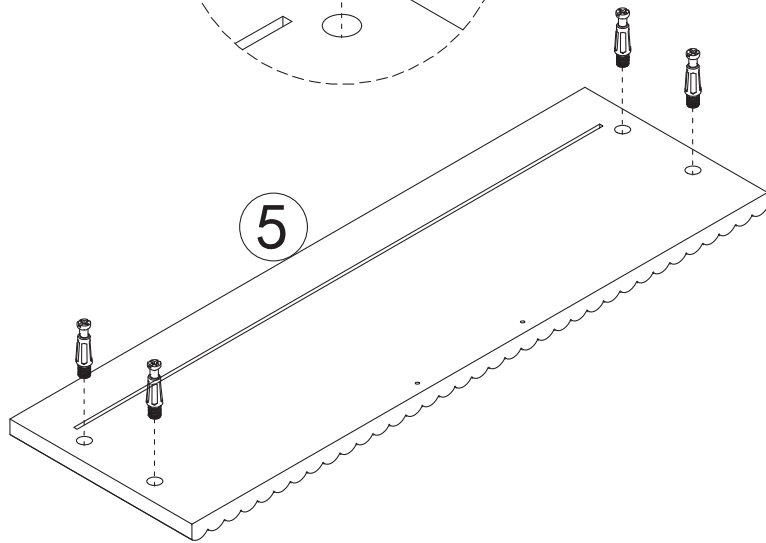
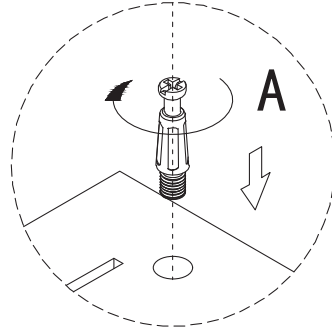
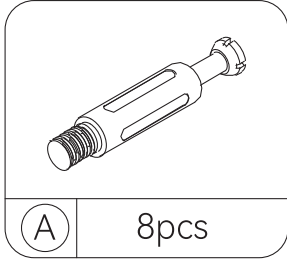


X2

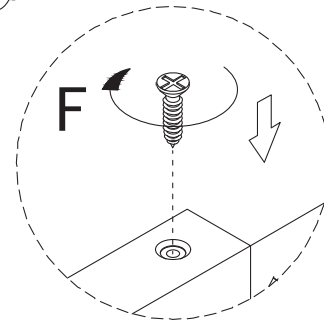
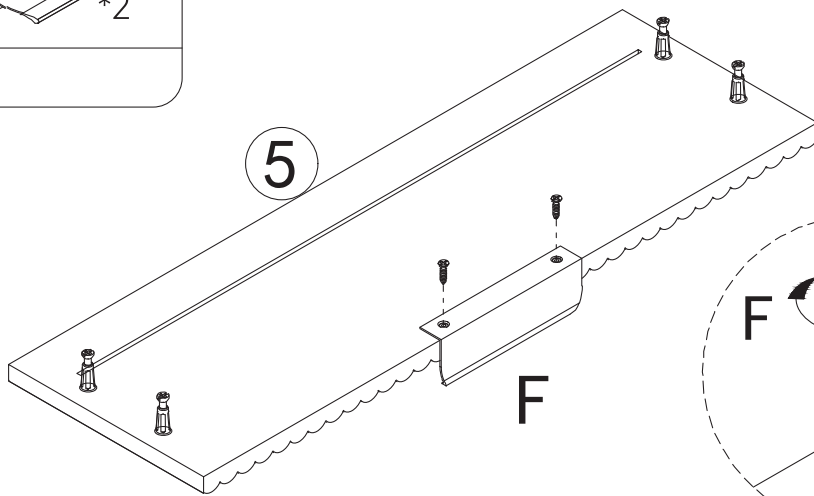
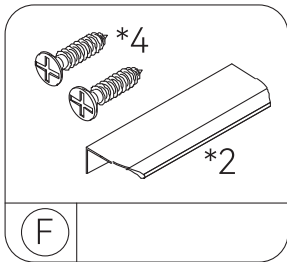


5

STEP 2

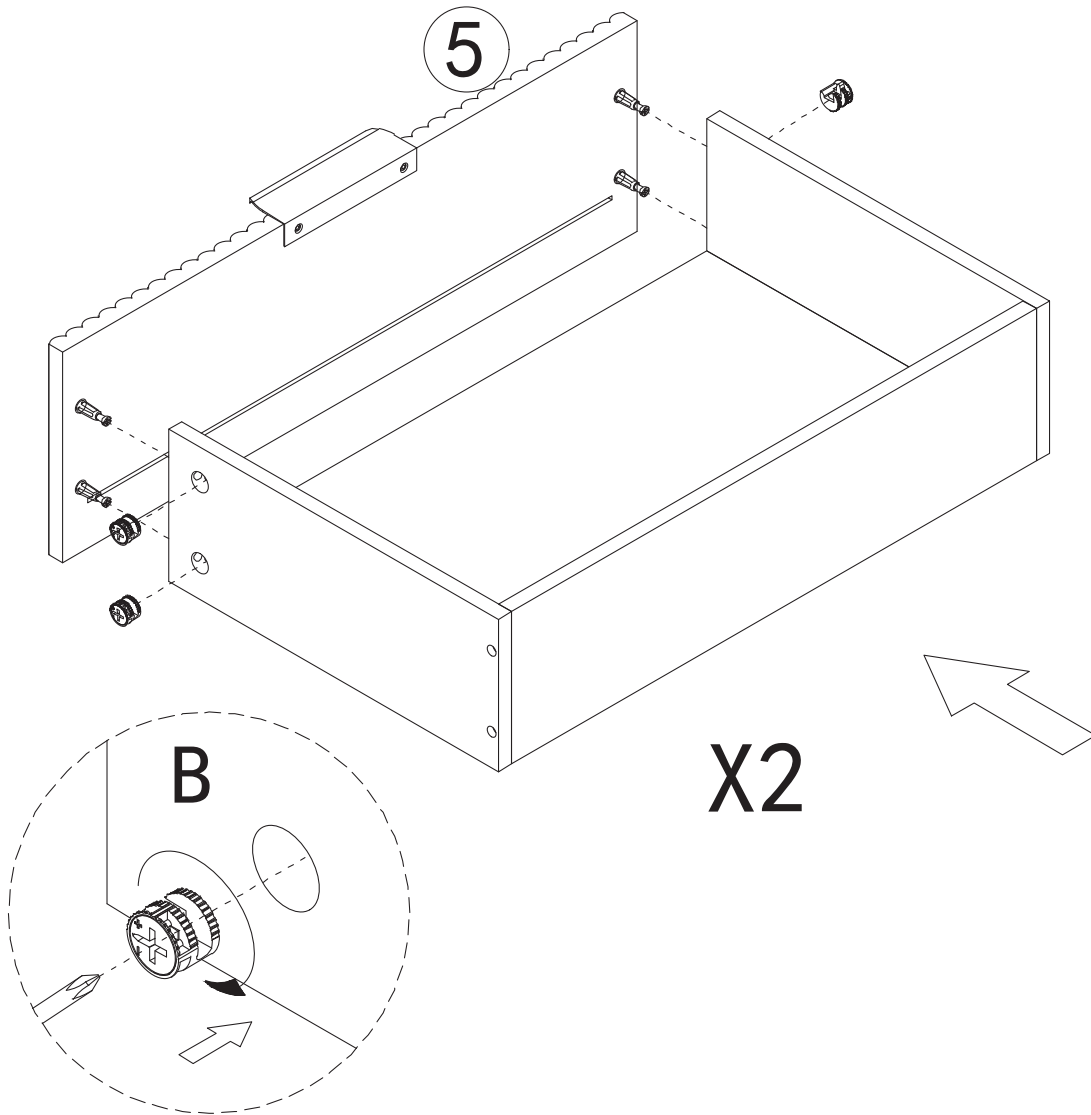
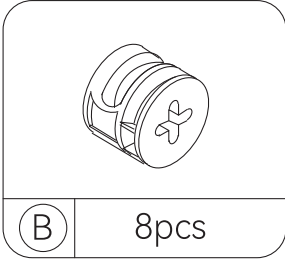


X2



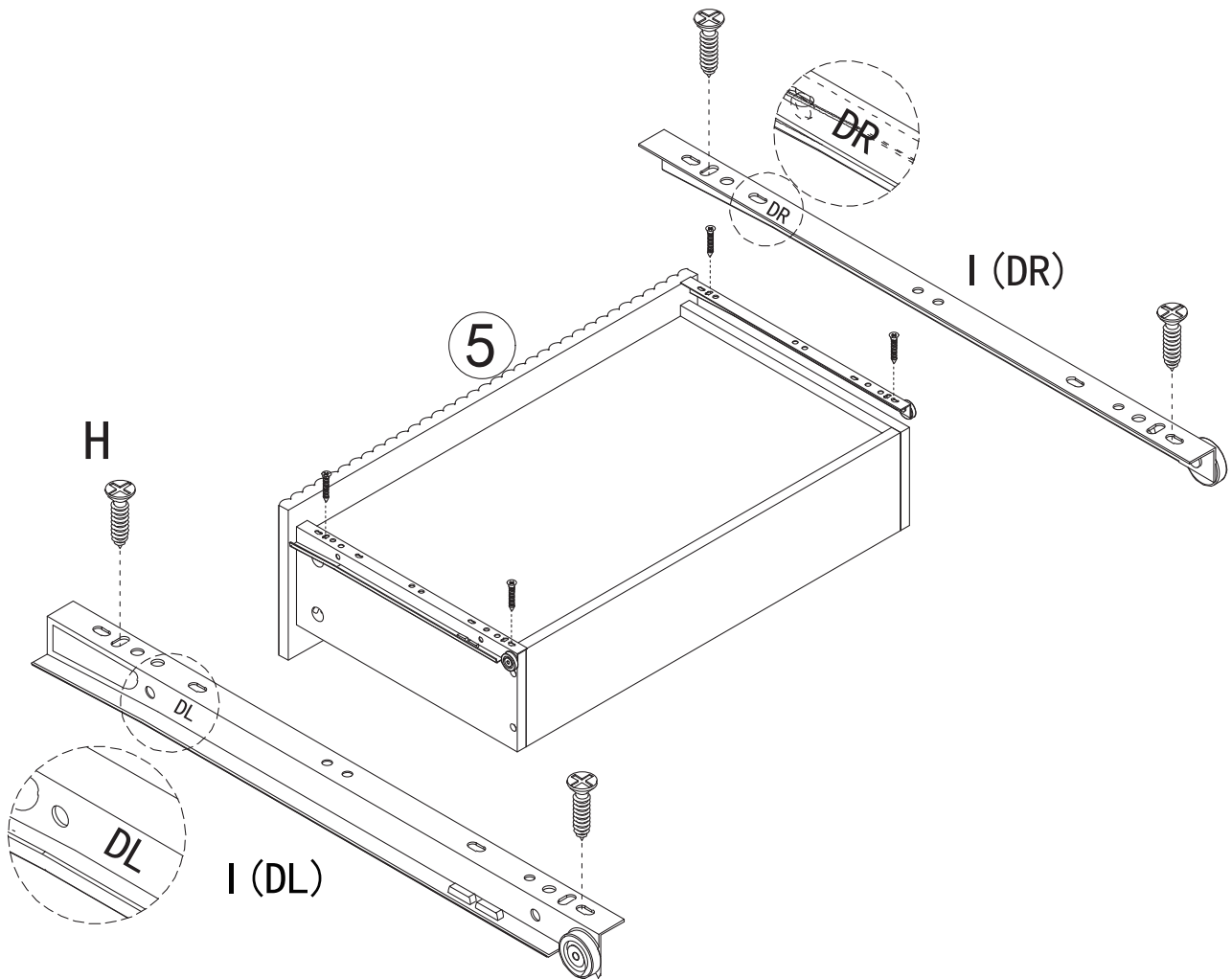
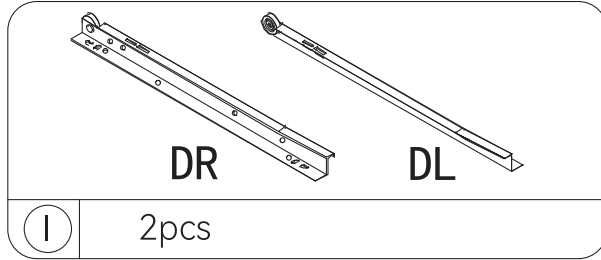
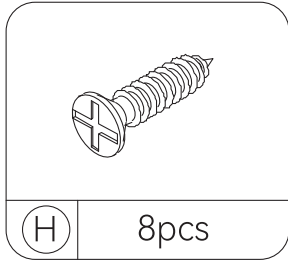
6

STEP 3



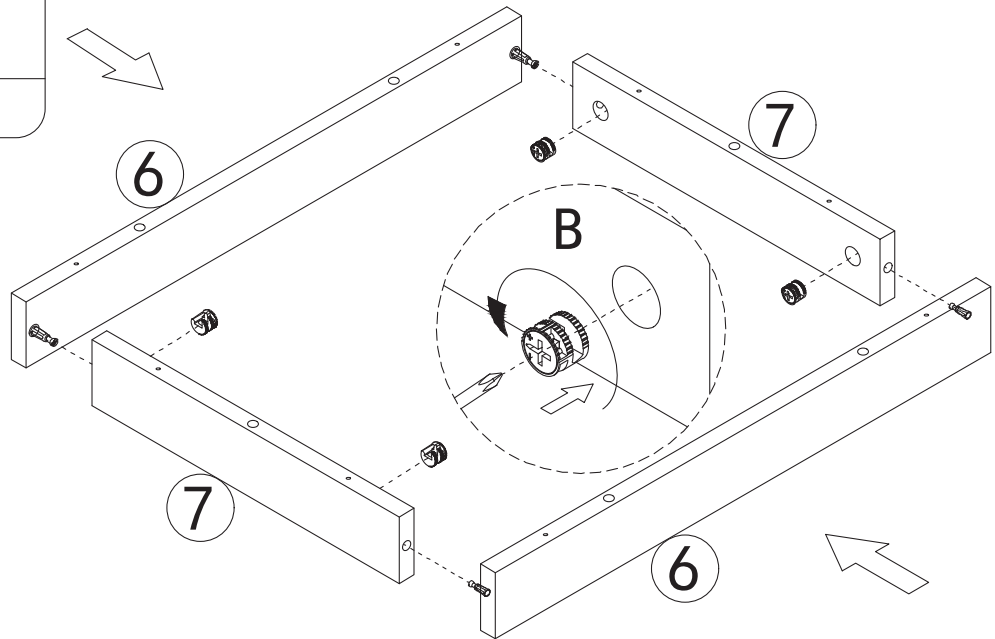
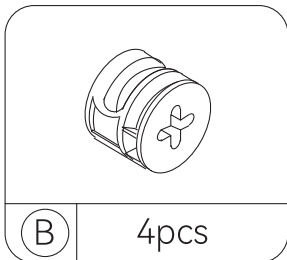
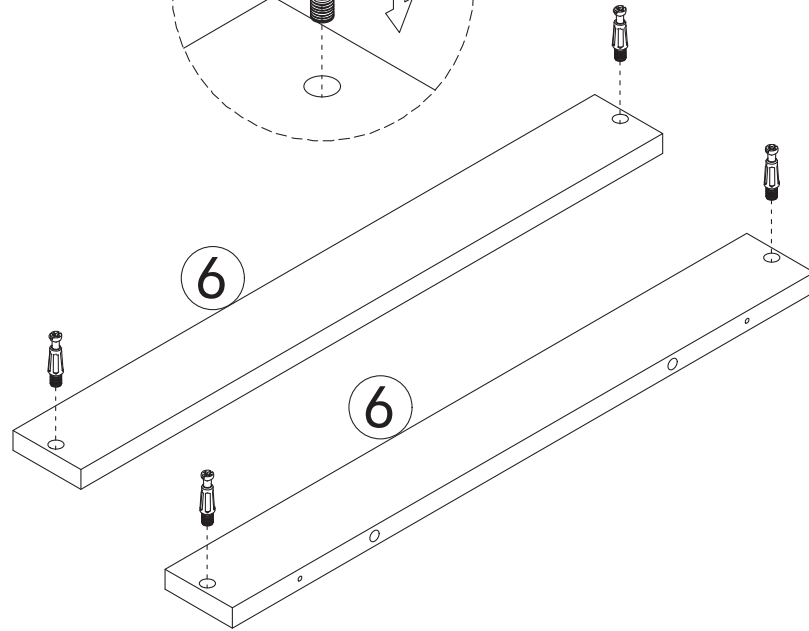
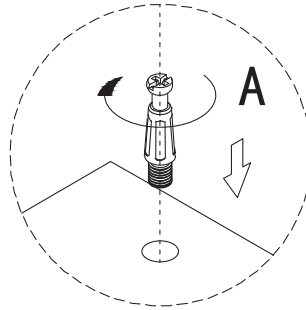
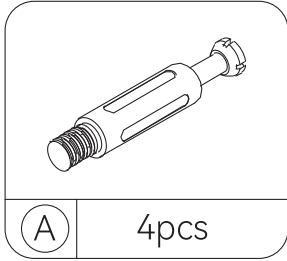
7

STEP 4



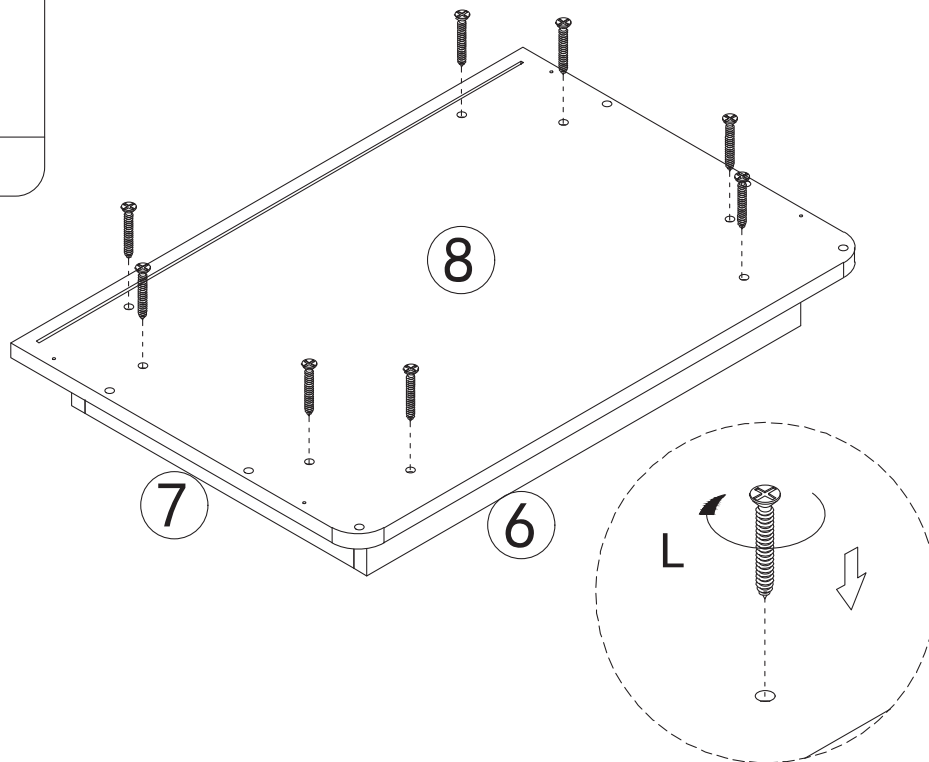
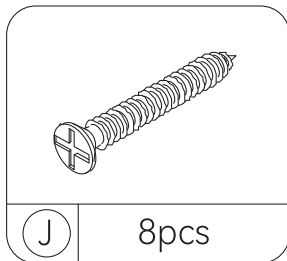
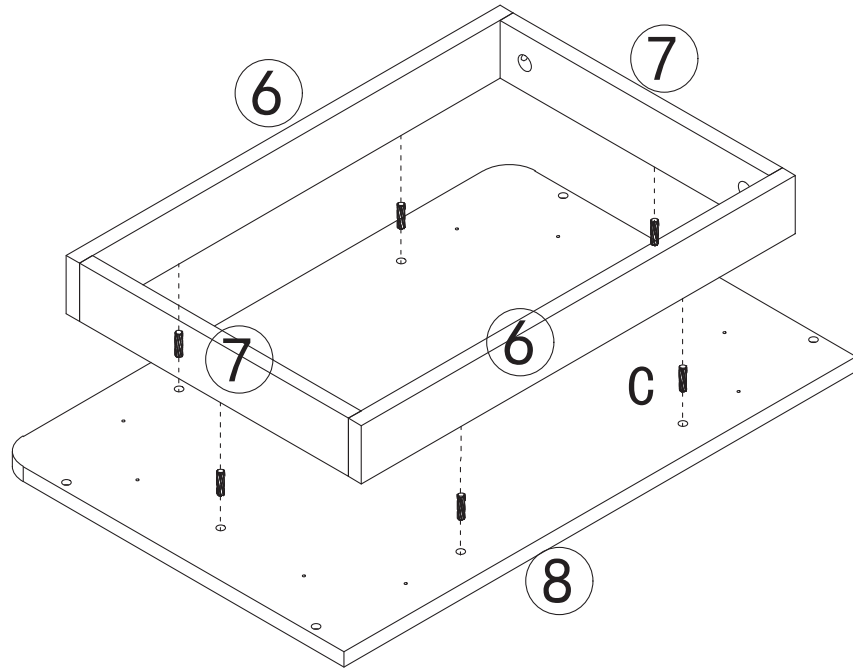
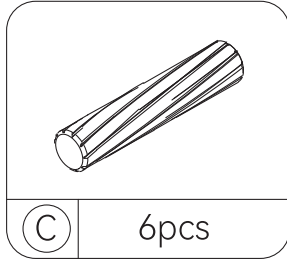
8

STEP 5



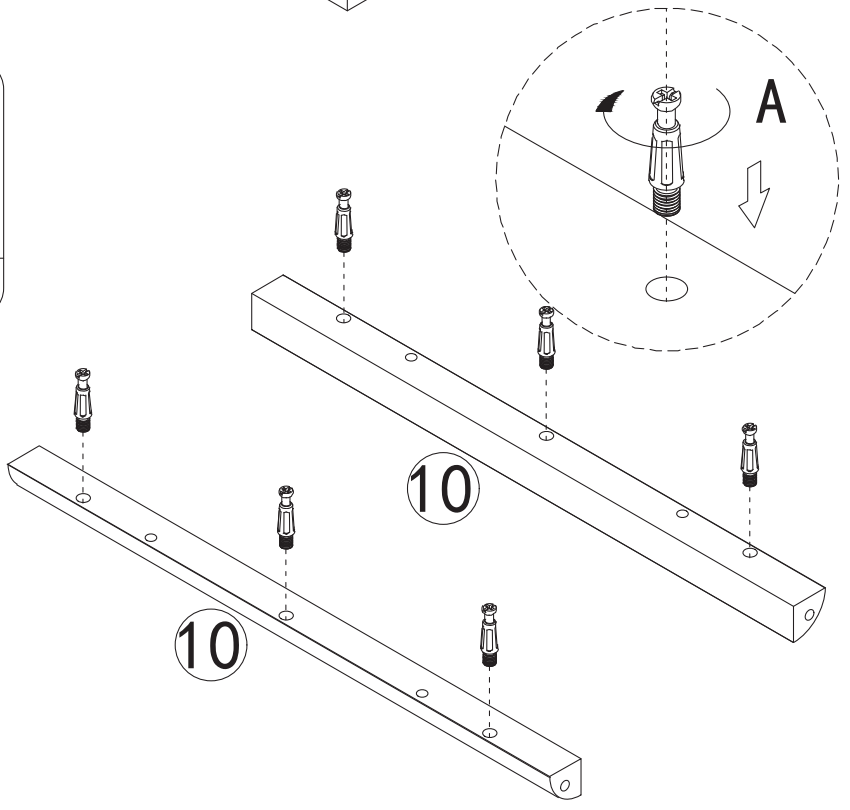
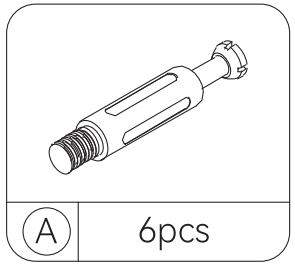
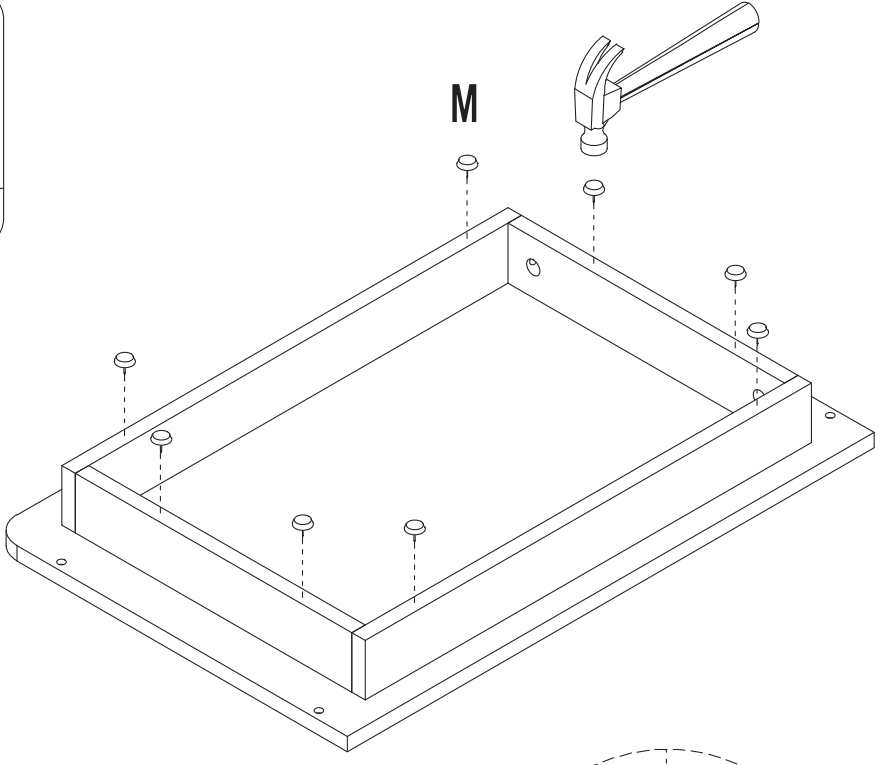
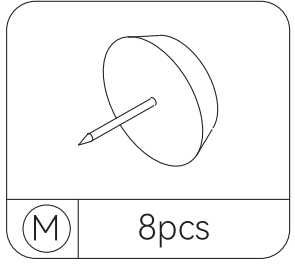
9

STEP 6

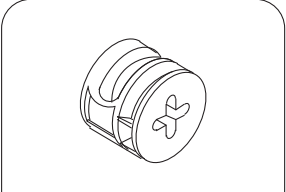


10

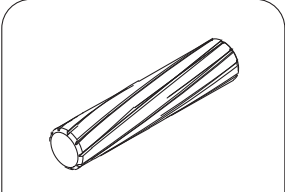
STEP 7



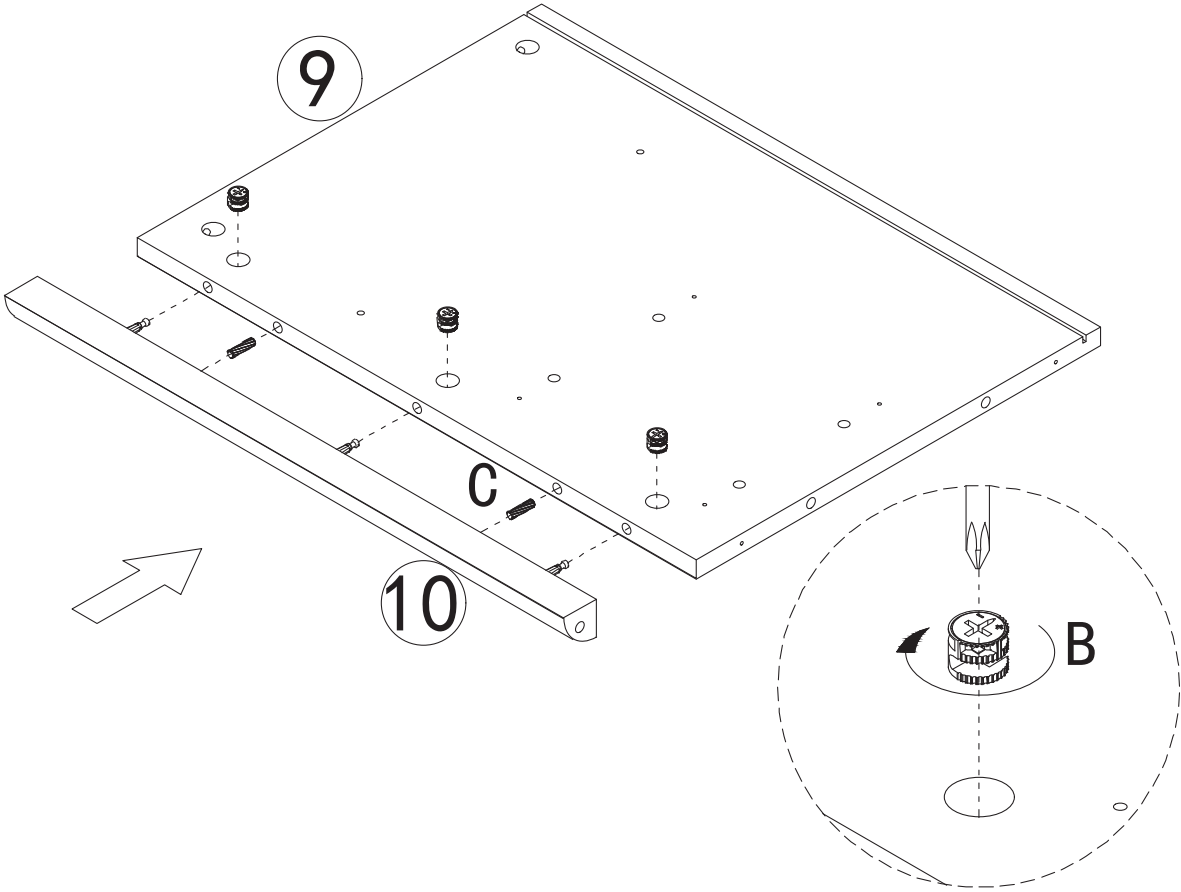
STEP 8



(B) 3pcs

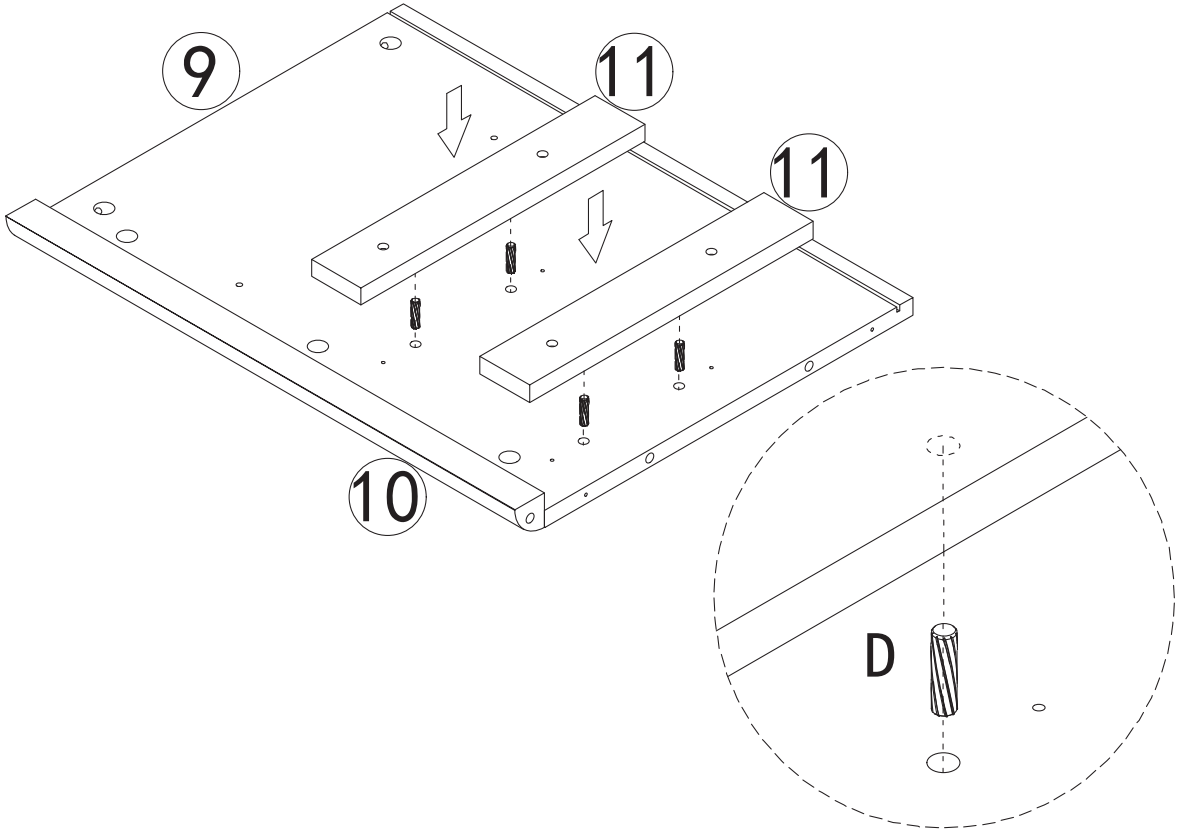
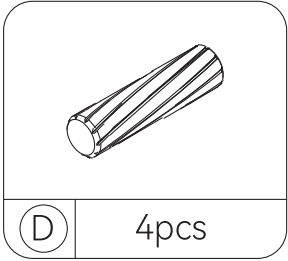


(C) 2pcs



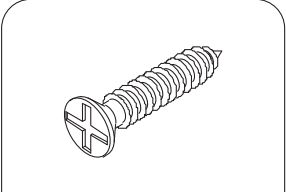
12

STEP 9

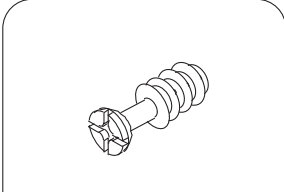


13

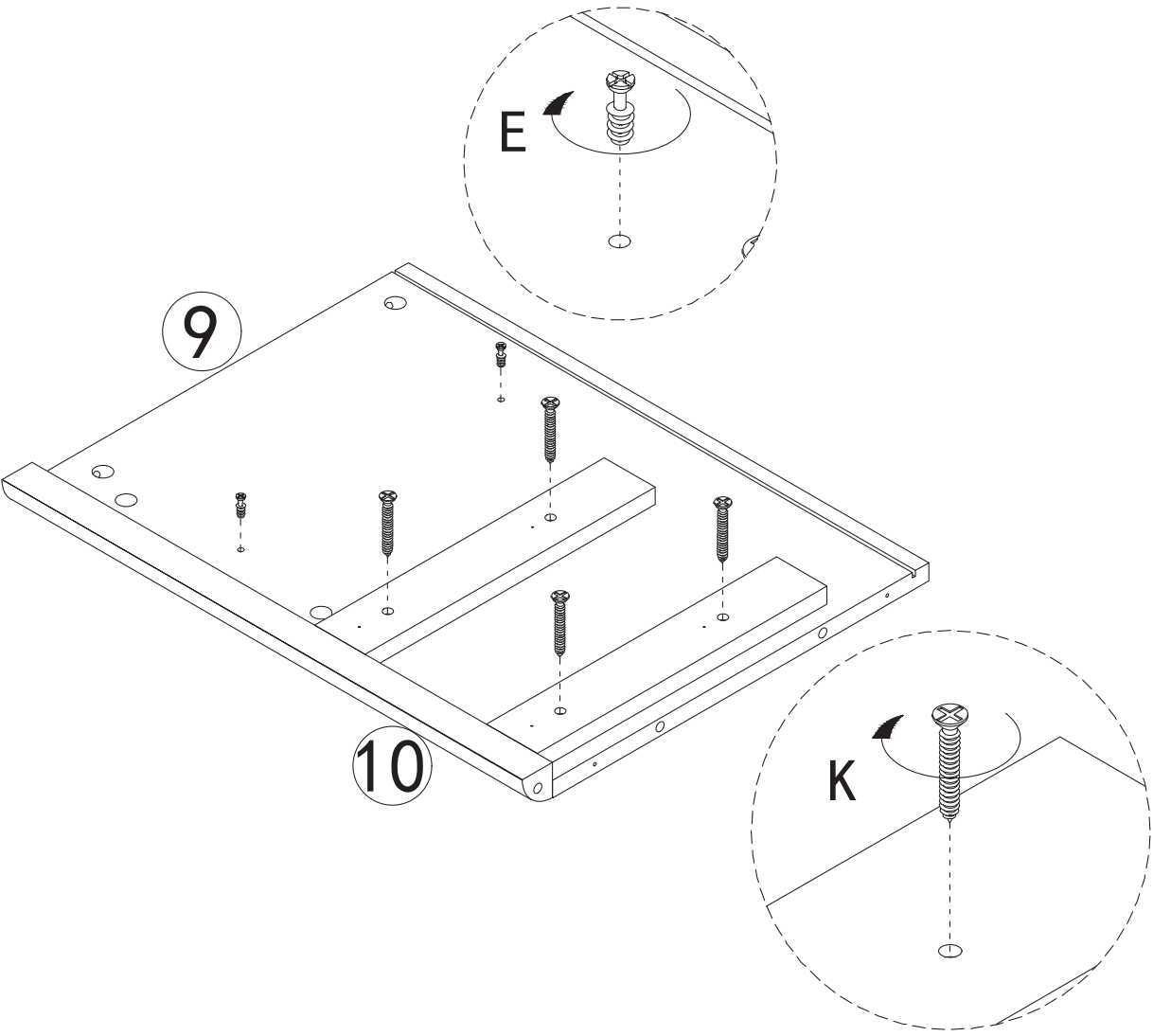
STEP 10



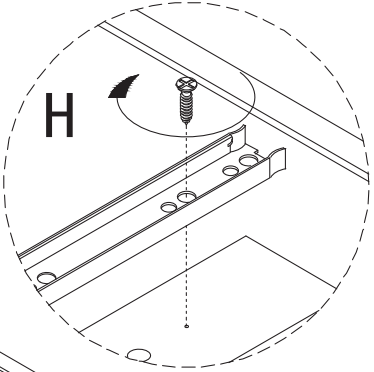
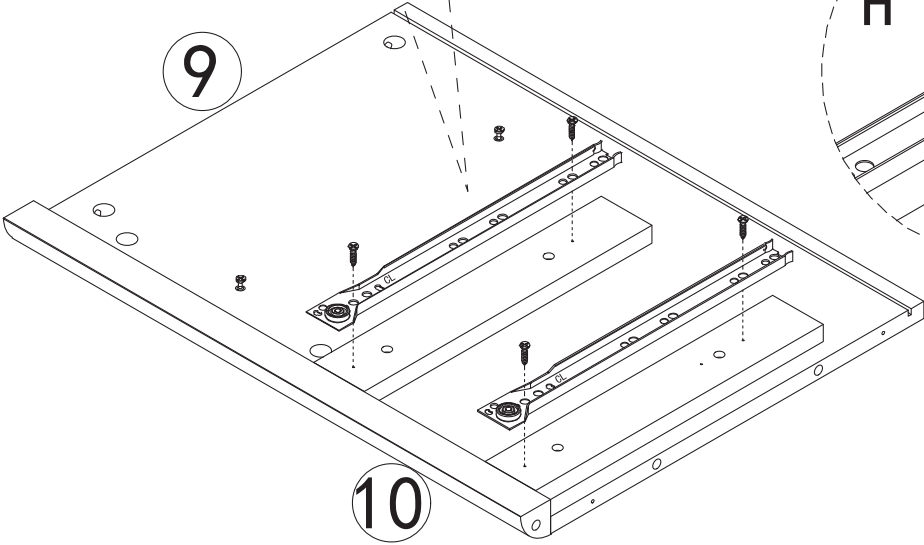
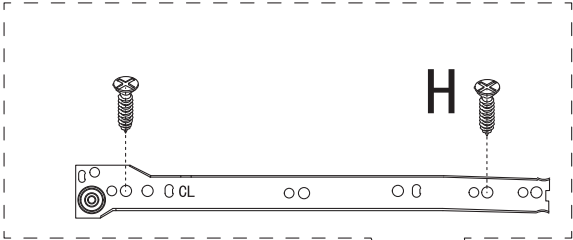
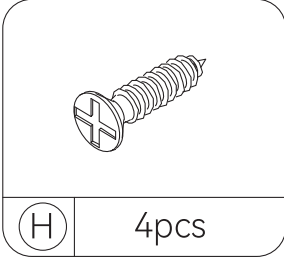
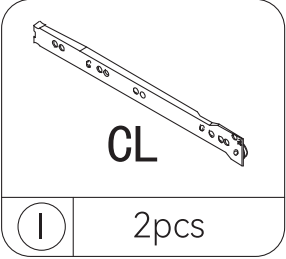
(K) 4pcs



(E) 2pcs

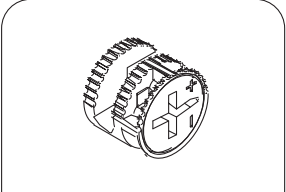


STEP 11

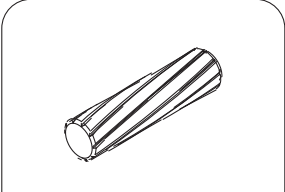


15

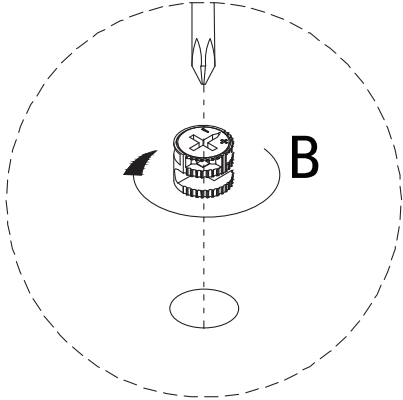
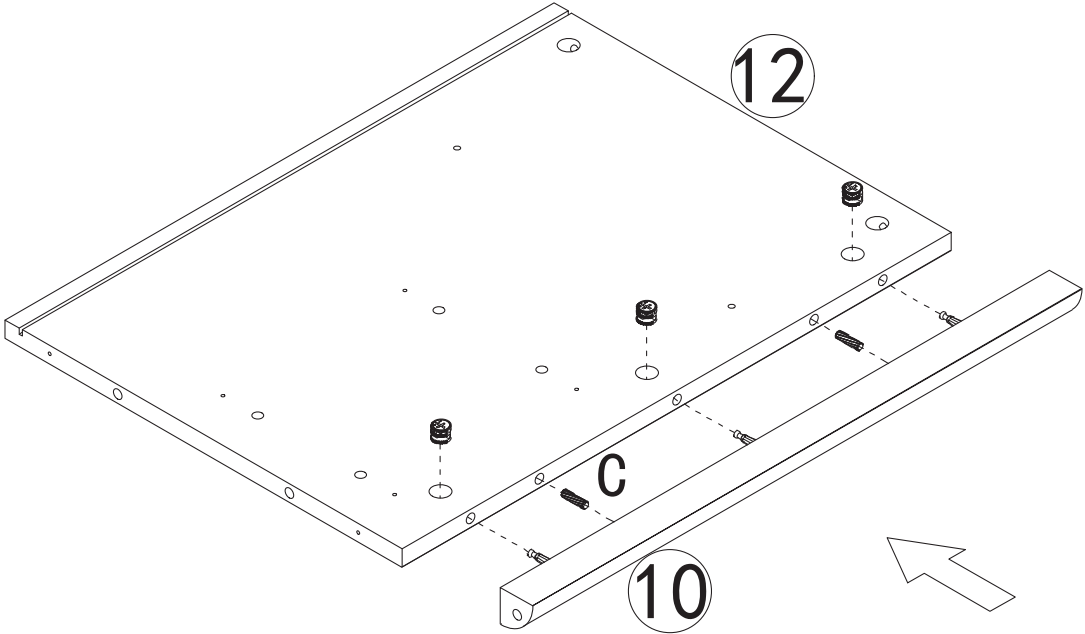
STEP 12



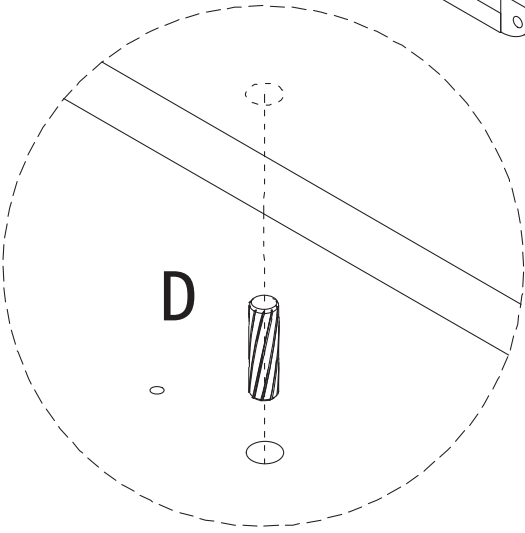
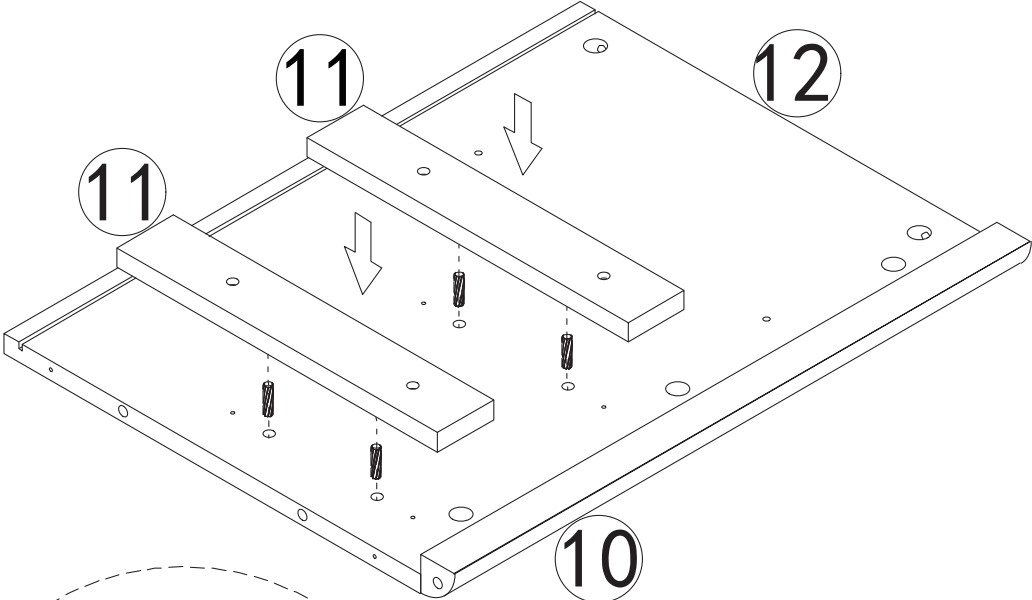
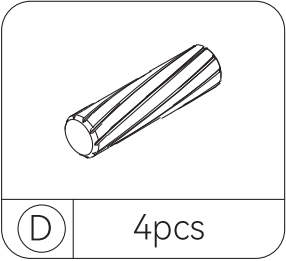
(B) 3pcs



(C) 2pcs

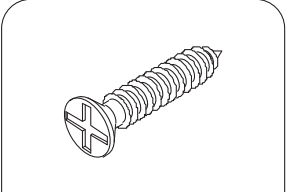


STEP 13

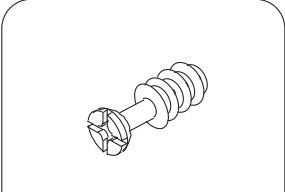


17

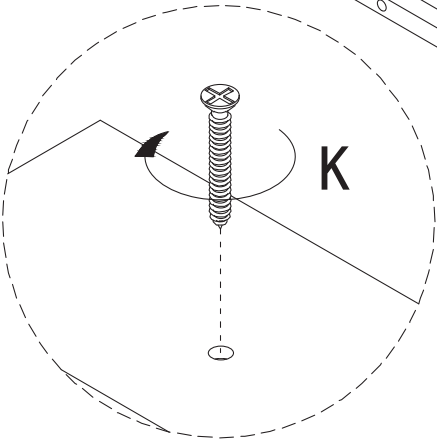
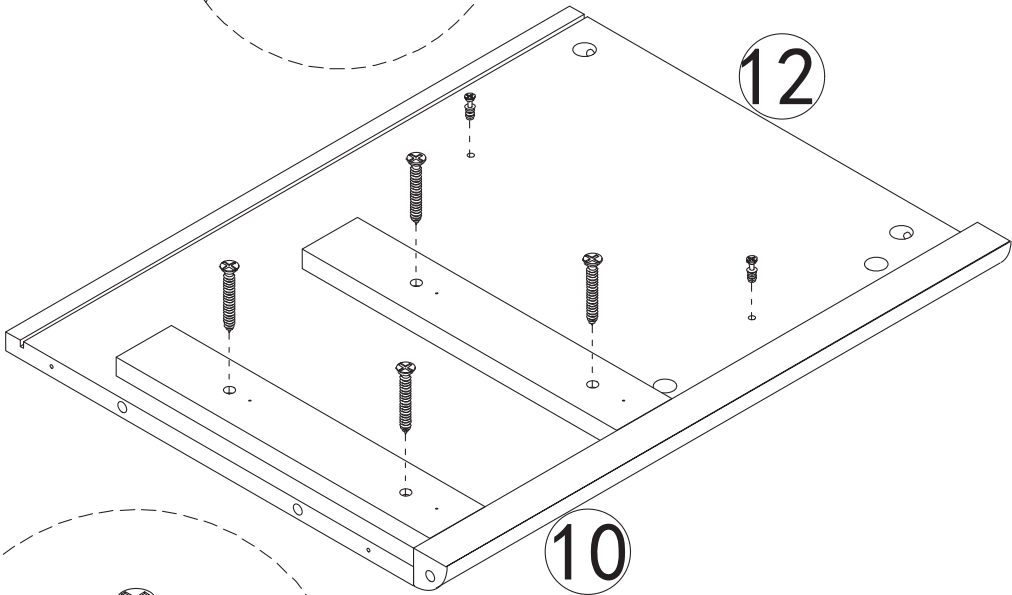
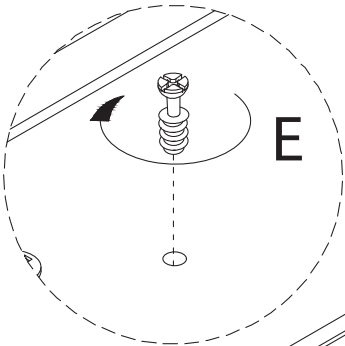
STEP 14



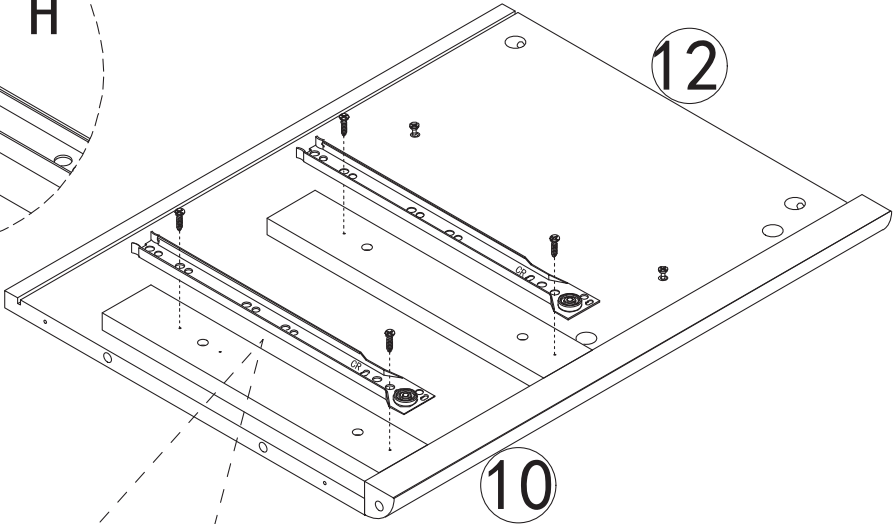
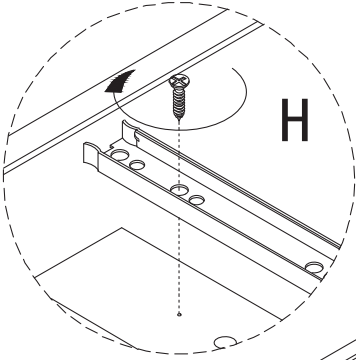
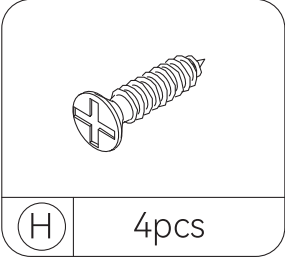
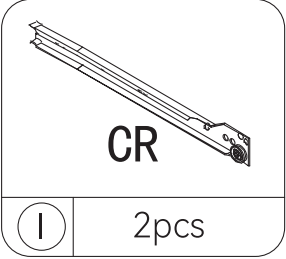
(K) 4pcs



(E) 2pcs

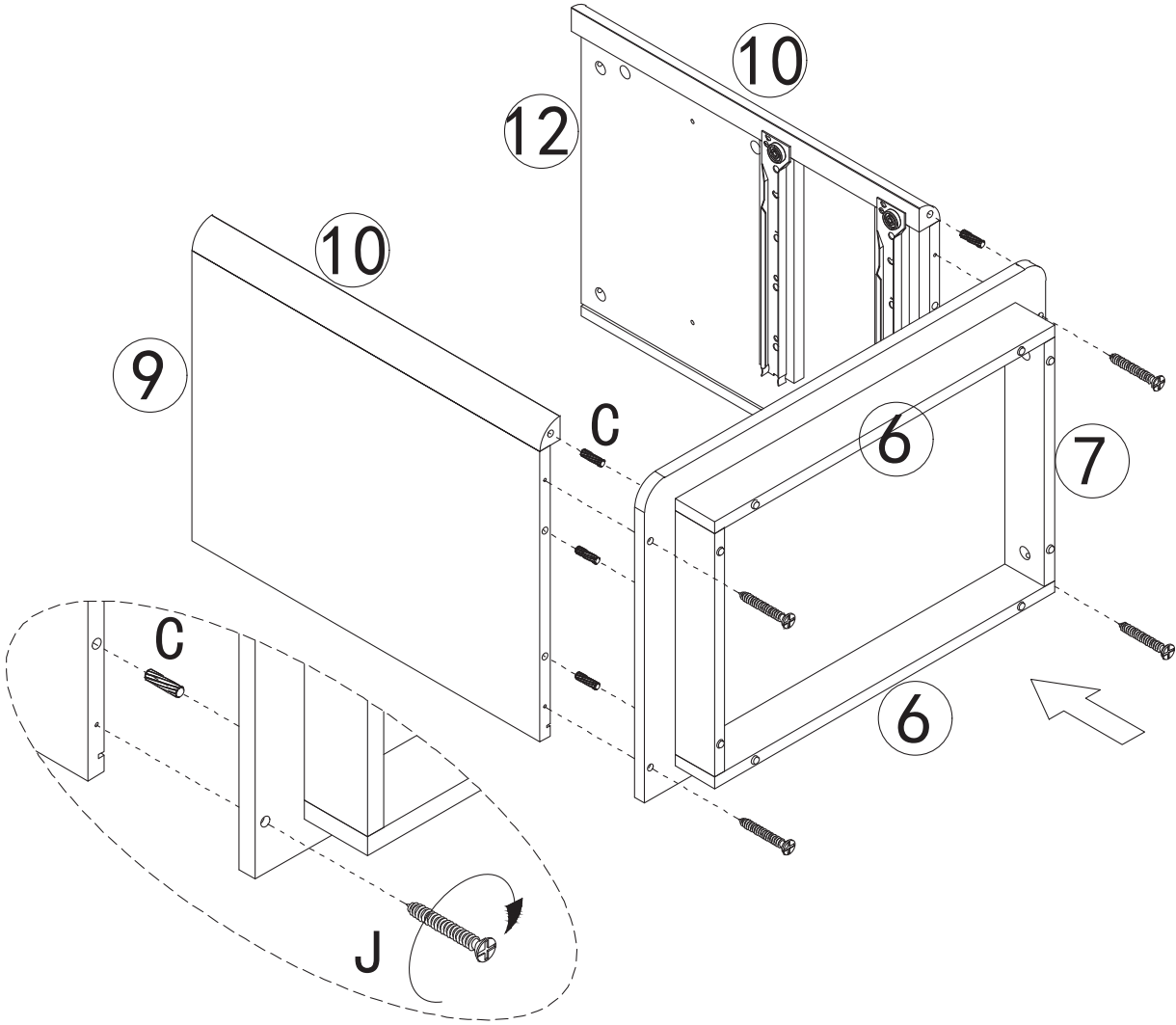
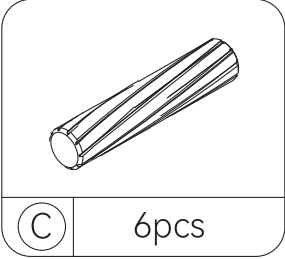
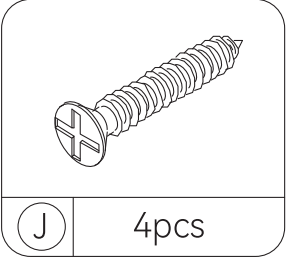


STEP 15



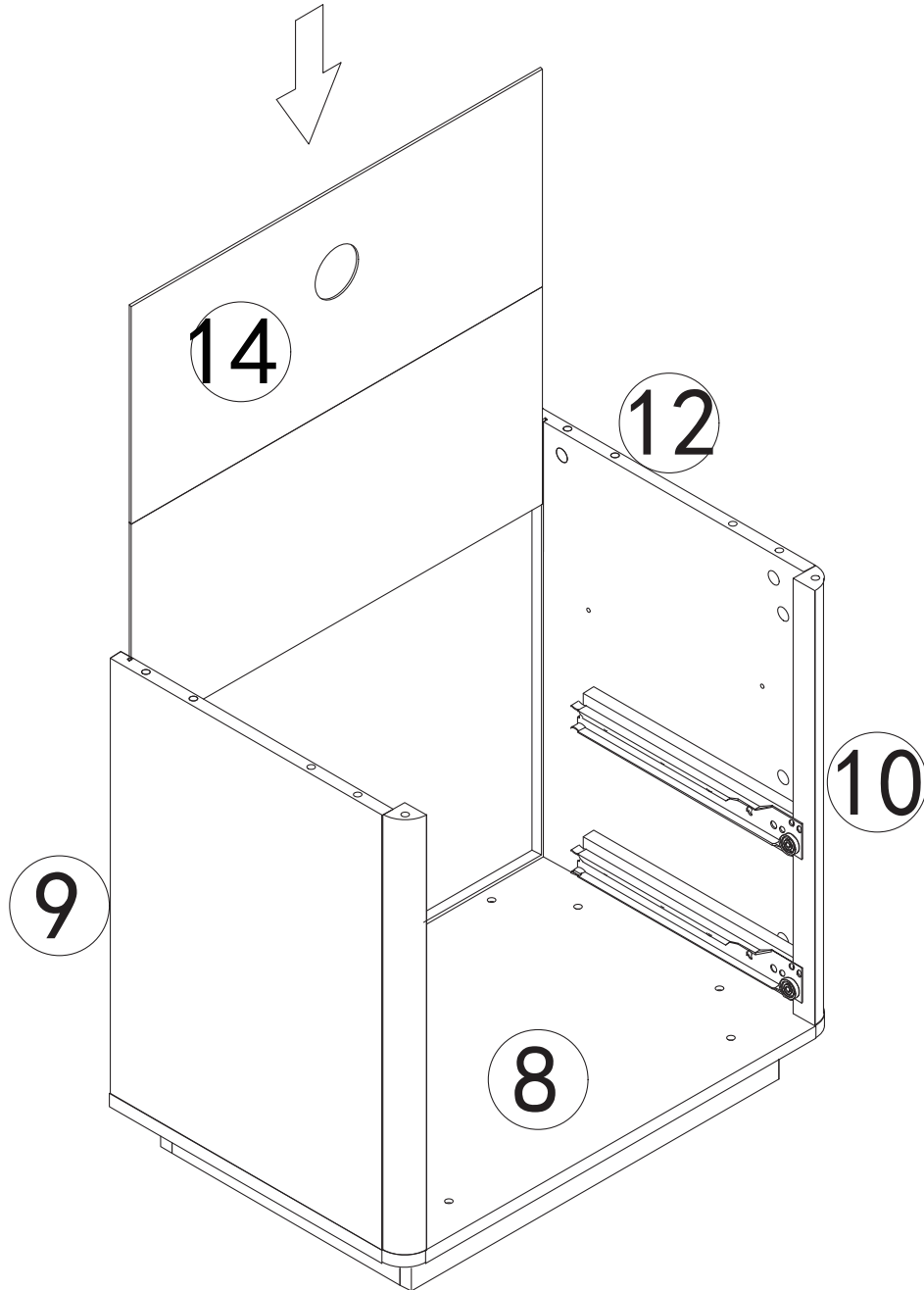
19

STEP 16



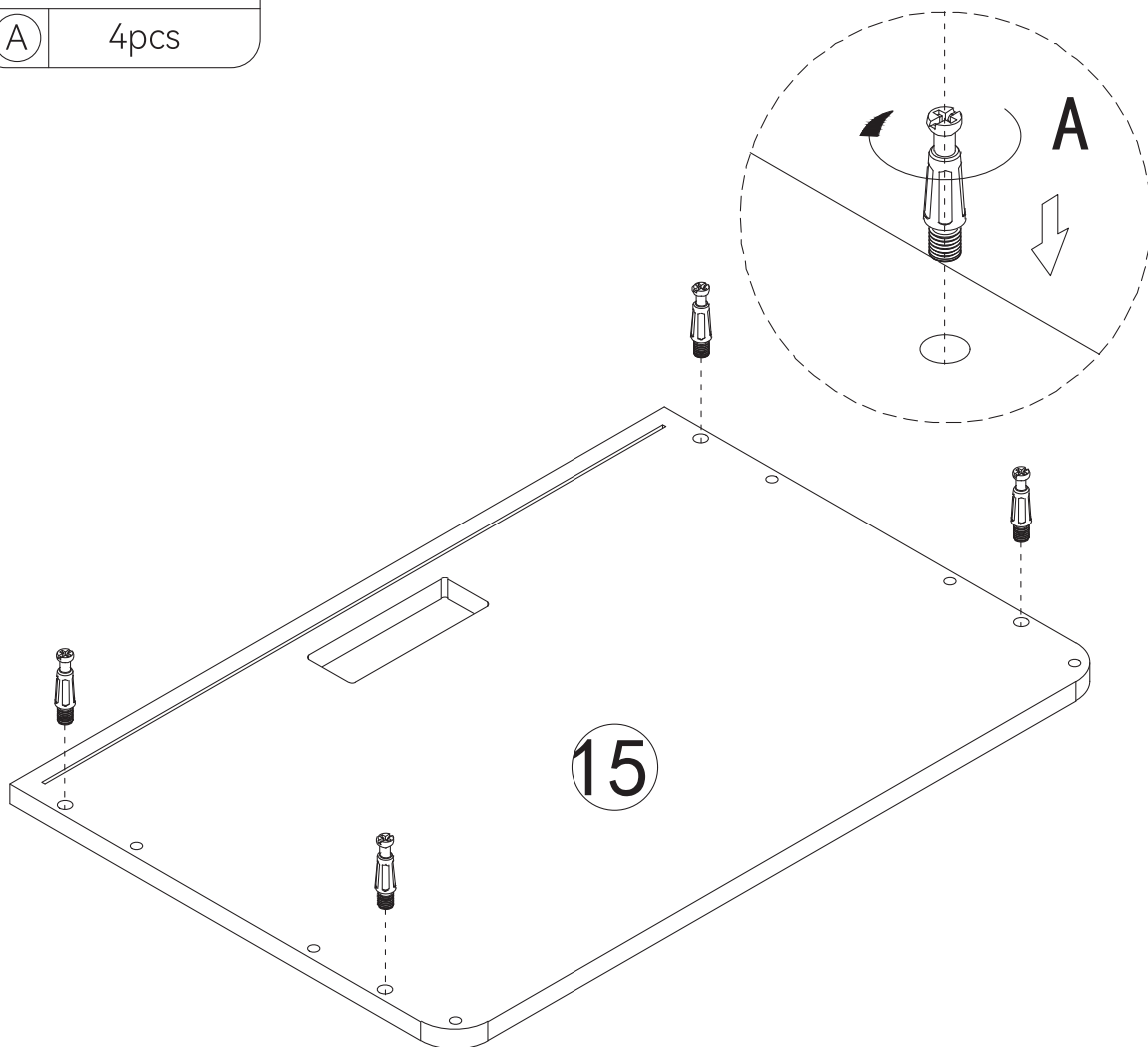
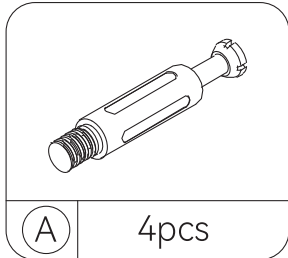
20

STEP 17

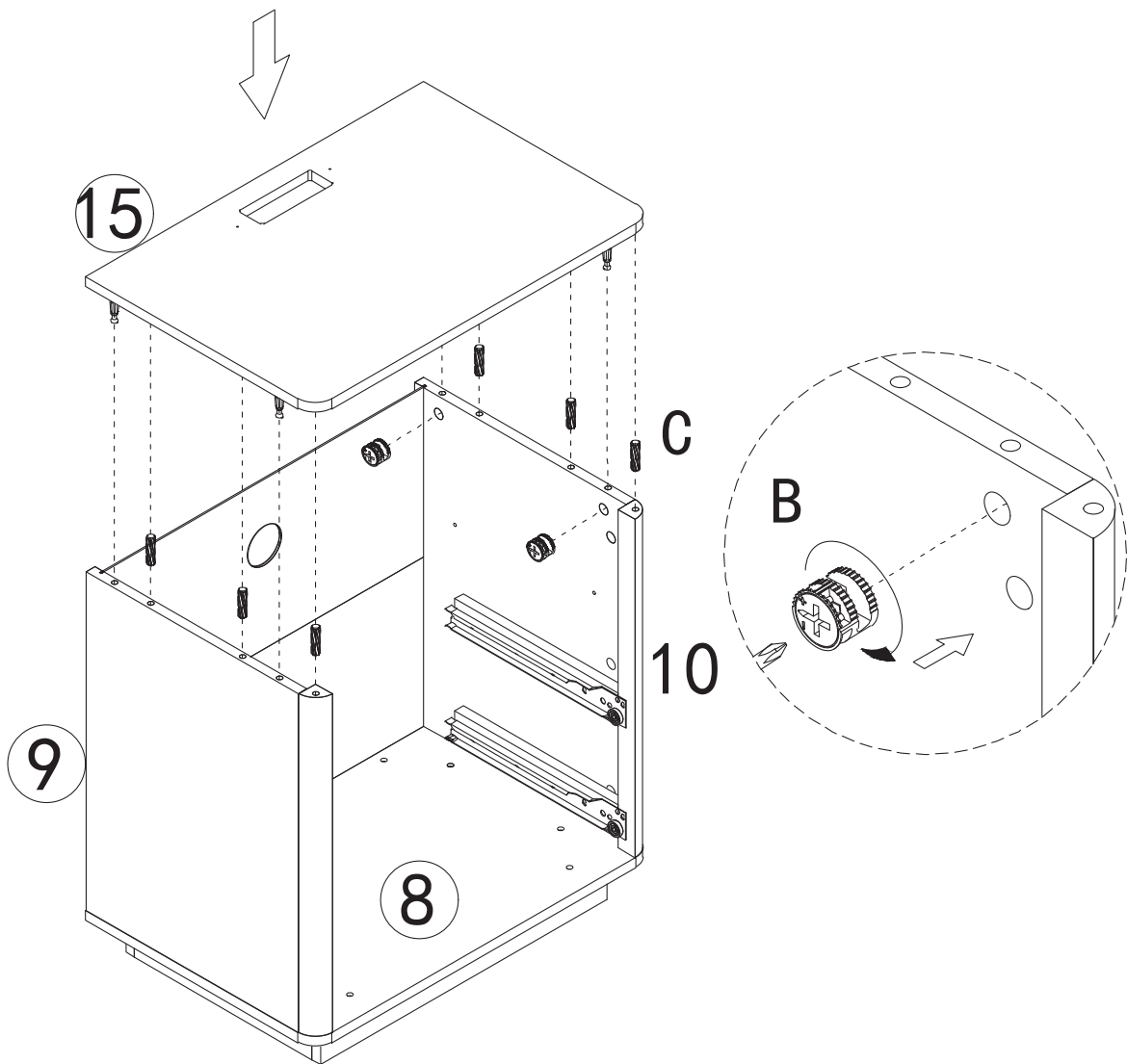
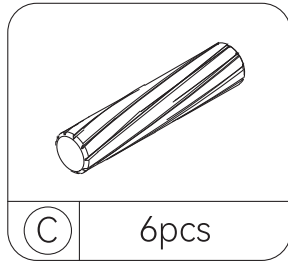
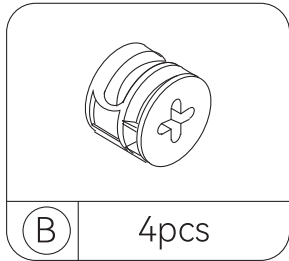


21

STEP 18

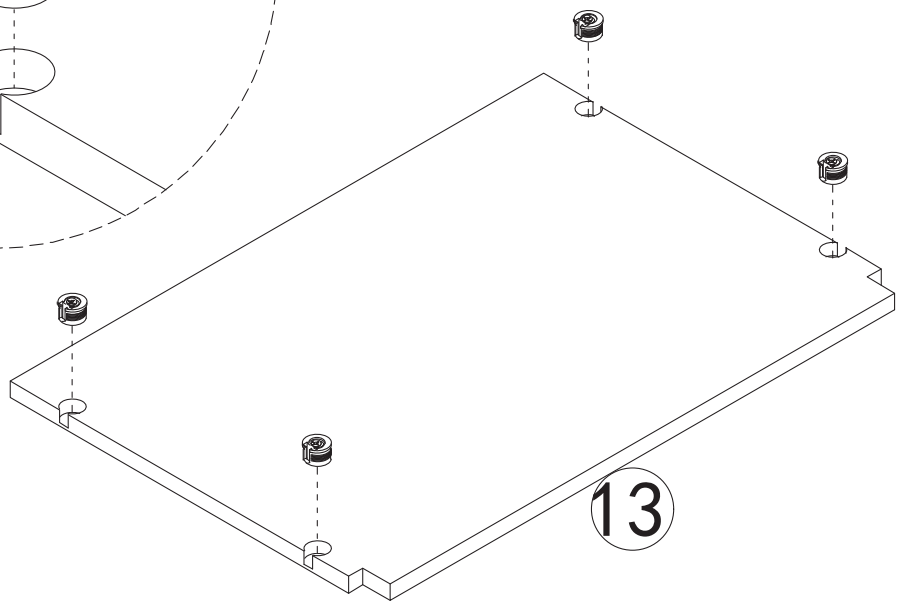
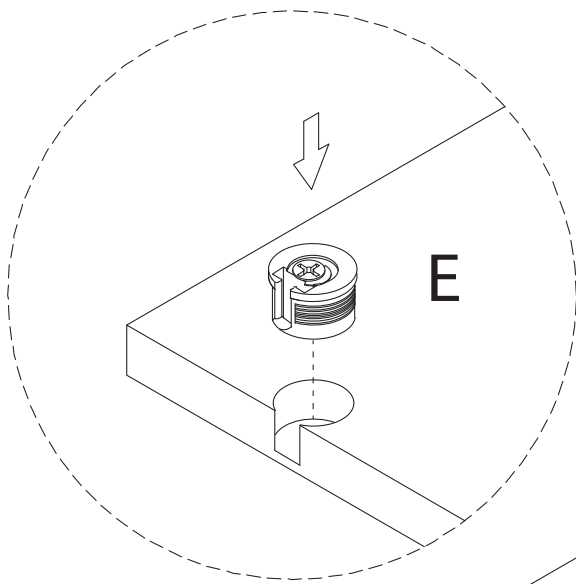
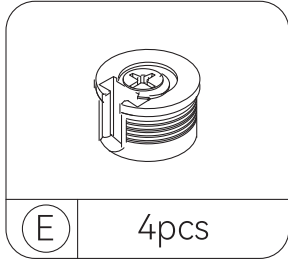


STEP 19



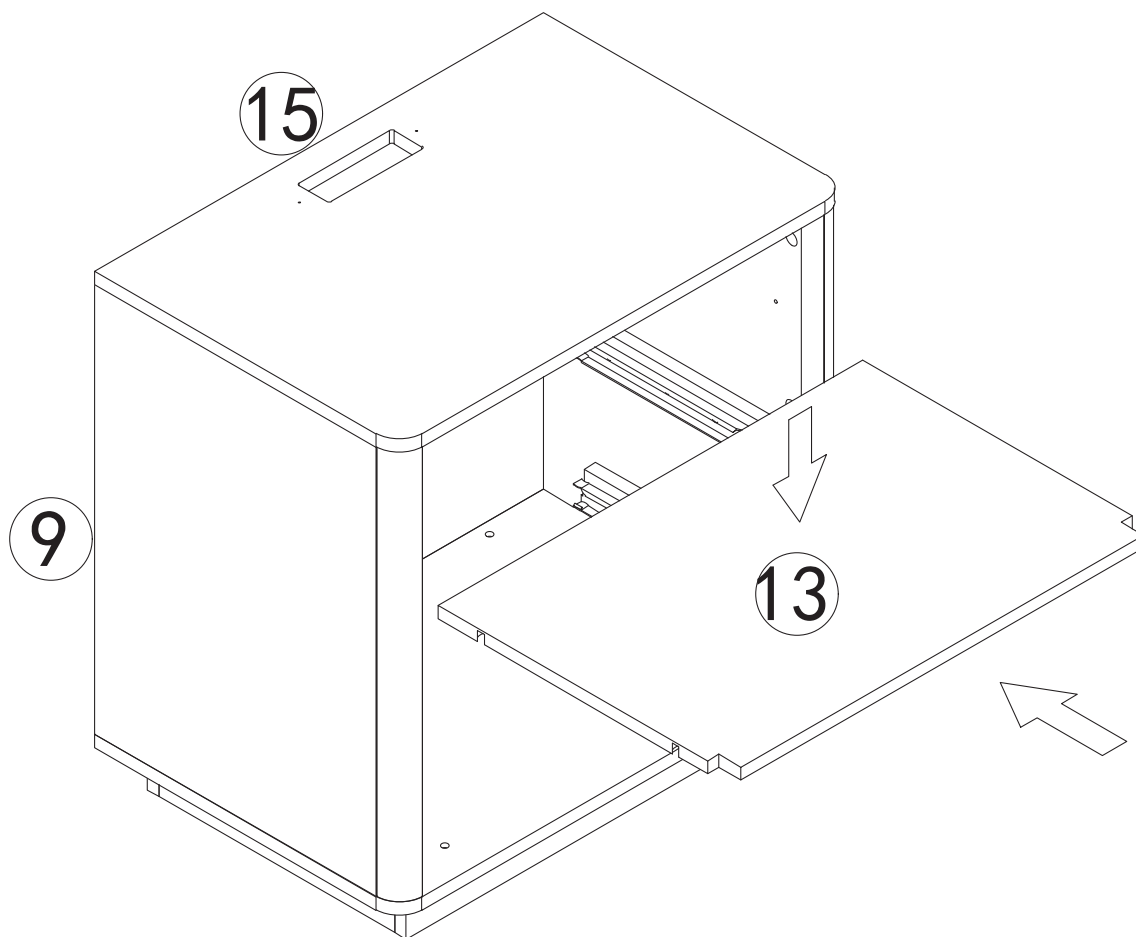
23

STEP 20



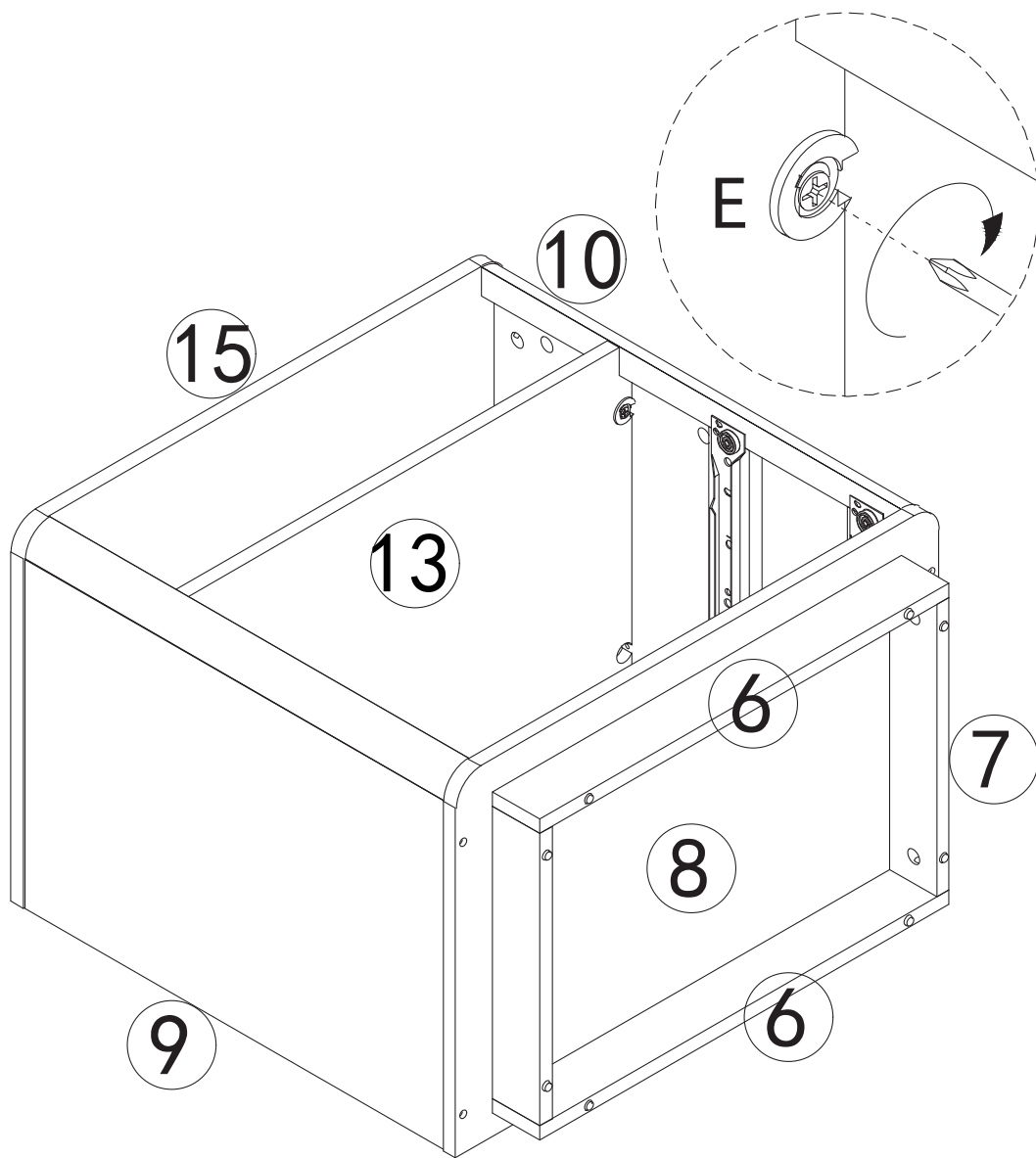
STEP 21

If ⑬ board is not easy to enter, you can remove the E on the left/right side board, adjust the position and then reinstall the E



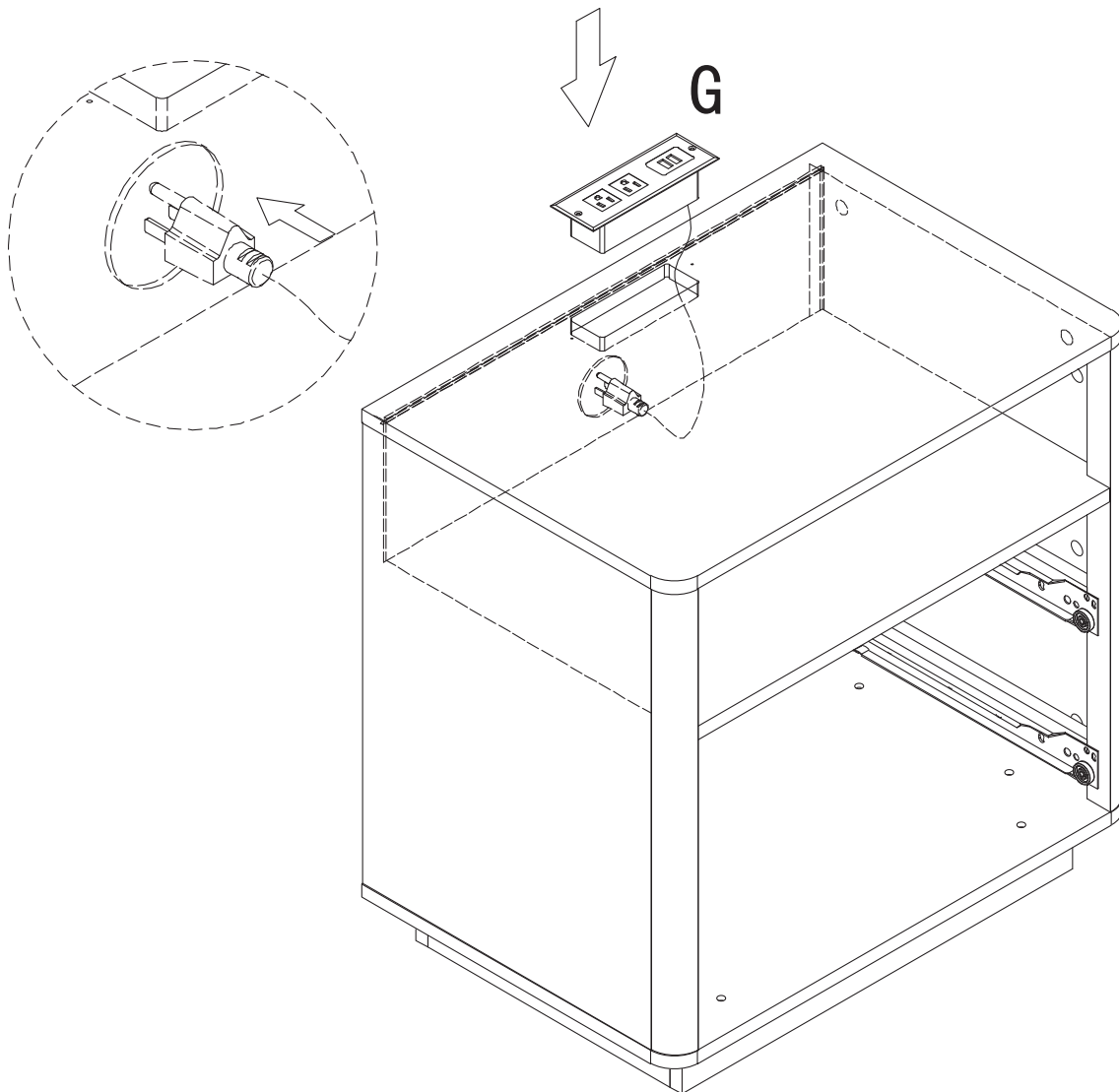
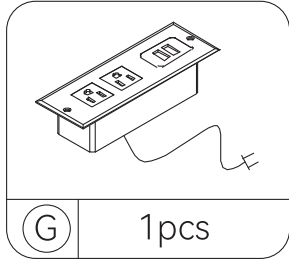
25

STEP 22



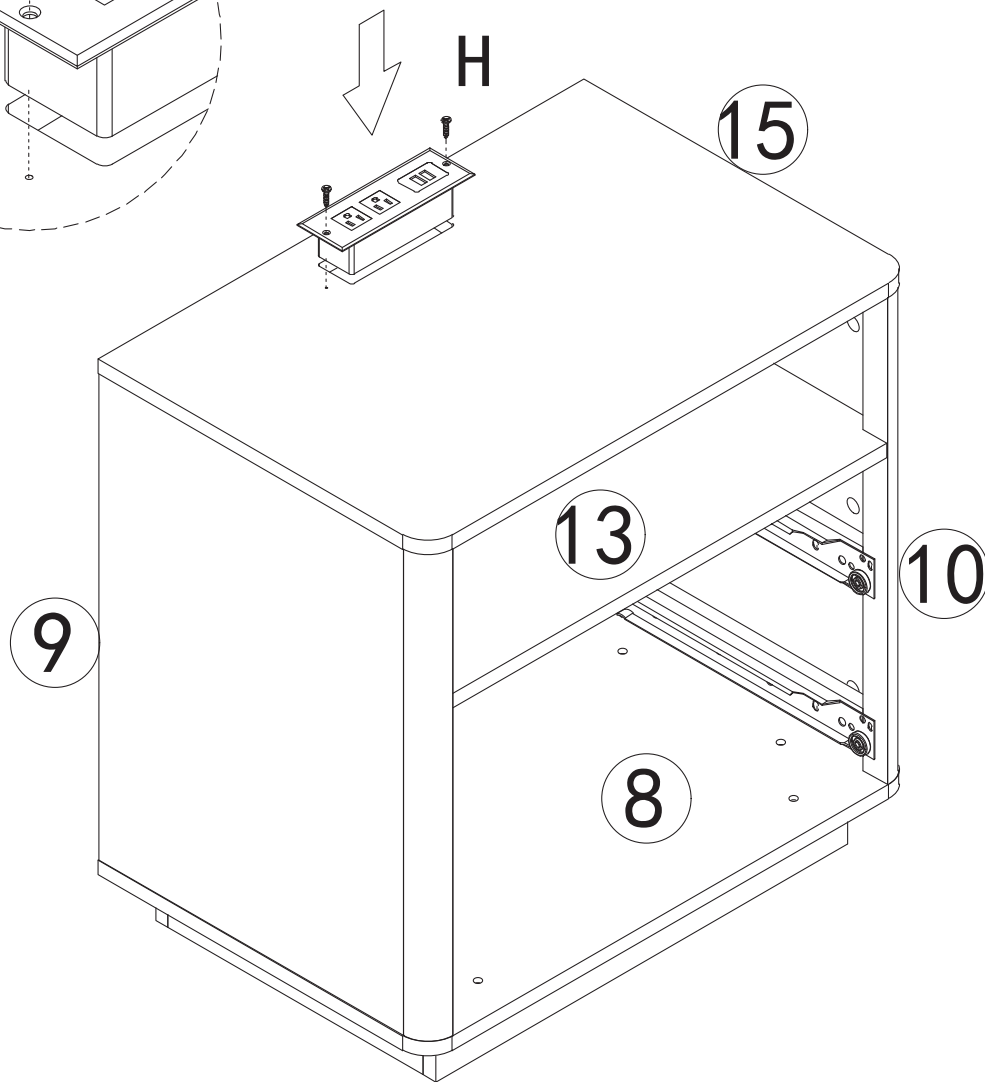
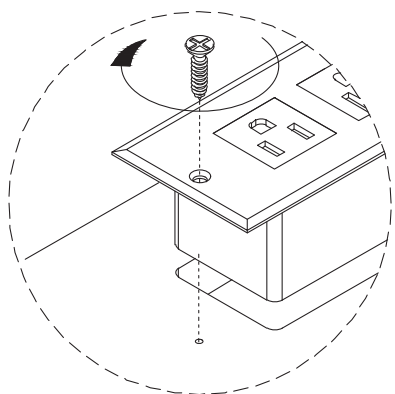
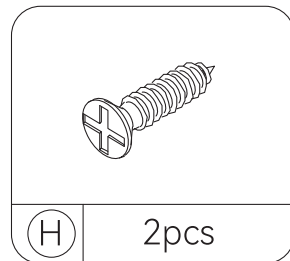
26

STEP 23

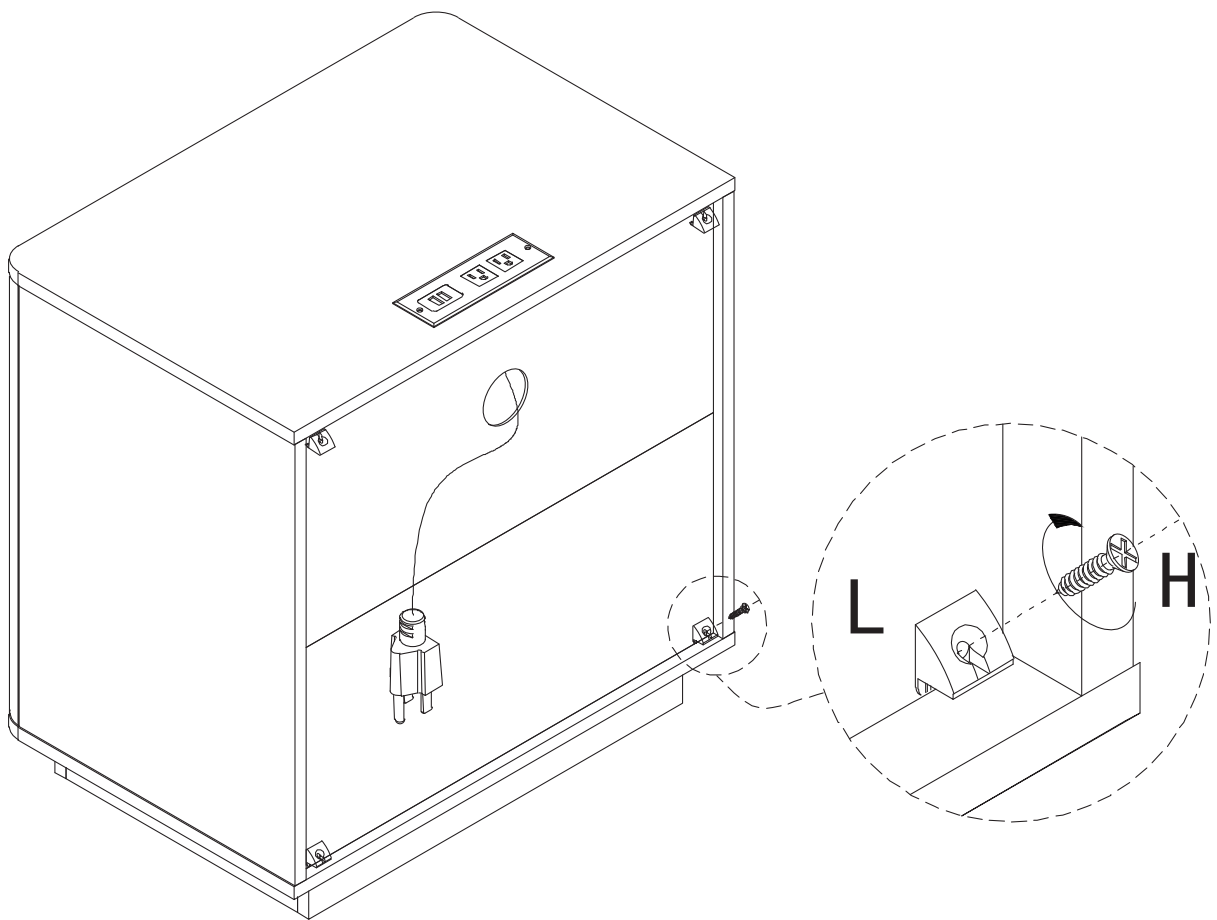
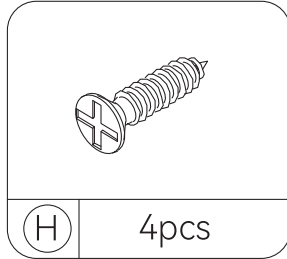
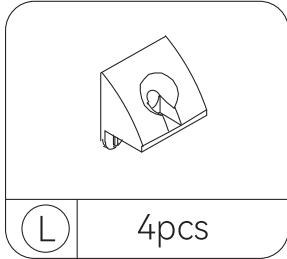


27

STEP 24

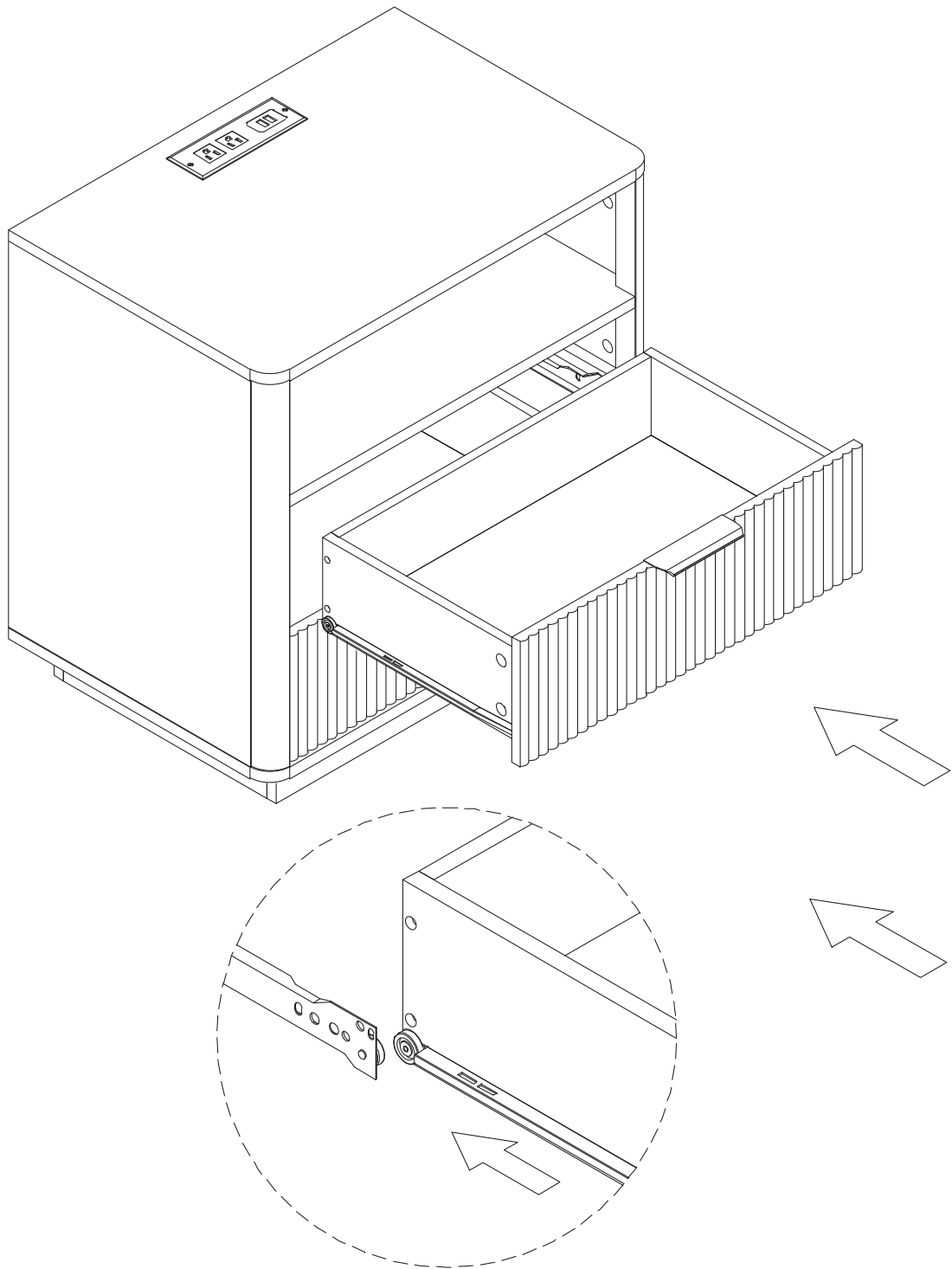


STEP 25



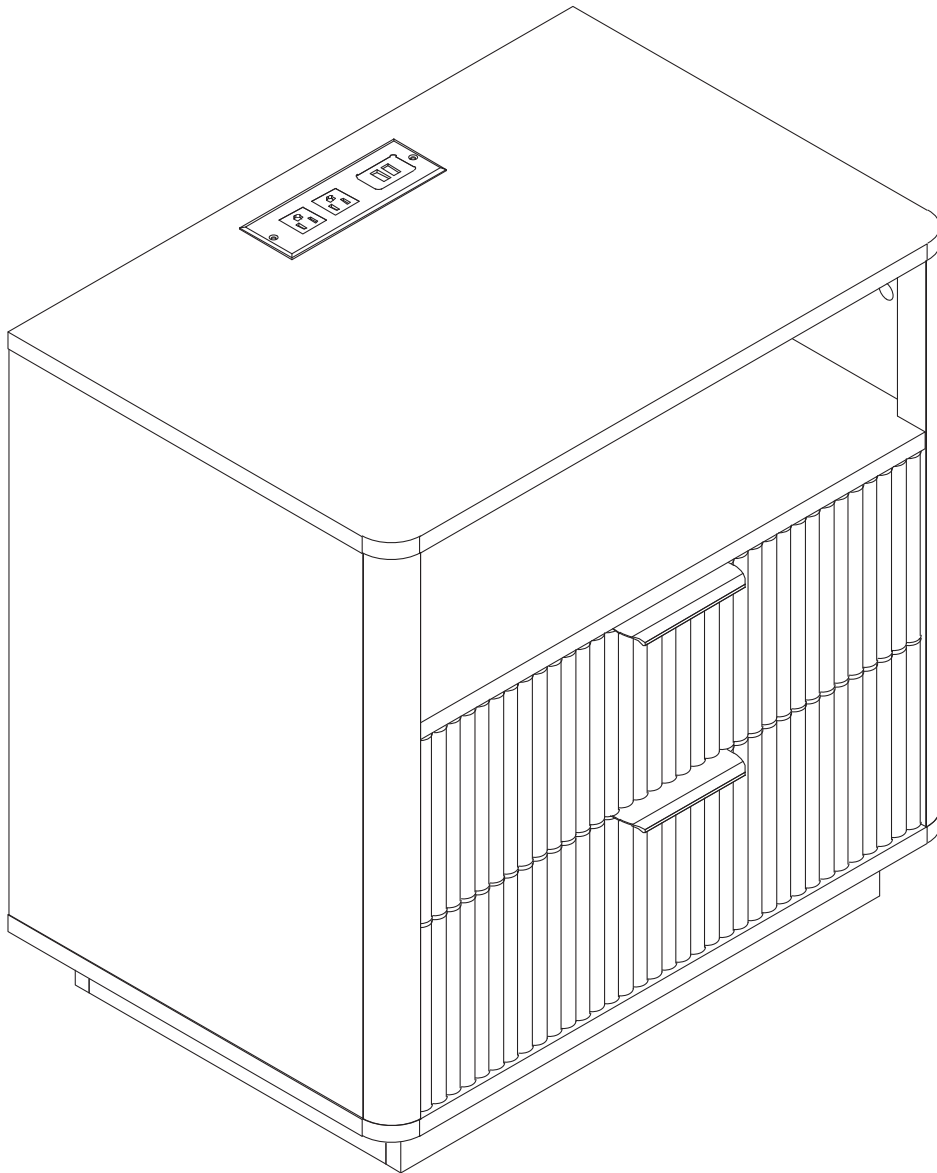
29

STEP 26



30

STEP 27



FCC Regulatory Compliance

This device complies with part 15 of the FCC Rules. Operation is subject to the following two conditions:

(1) This device may not cause harmful interference, and (2) this device must accept any interference received, including interference that may cause undesired operation.

Warning: Changes or modifications not expressly approved by the party responsible for compliance could void the user's authority to operate the equipment.

Note: This equipment has been tested and found to comply with the limits for a Class B digital device, pursuant to Part 15 of the FCC Rules.

These limits are designed to provide reasonable protection against harmful interference in a residential installation. This equipment generates, uses and can radiate radio frequency energy and, if not installed and used in accordance with the instructions, may cause harmful interference to radio communications. However, there is no guarantee that interference will not occur in a particular installation.

If this equipment does cause harmful interference to radio or television reception, which can be determined by turning the equipment off and on, the user is encouraged to try to correct the interference by one or more of the following measures:

- Reorient or relocate the receiving antenna.
- Increase the separation between the equipment and receiver.
- Connect the equipment into an outlet on a circuit different from that to which the receiver is connected.
- Consult the dealer or an experienced radio/TV technician for help.