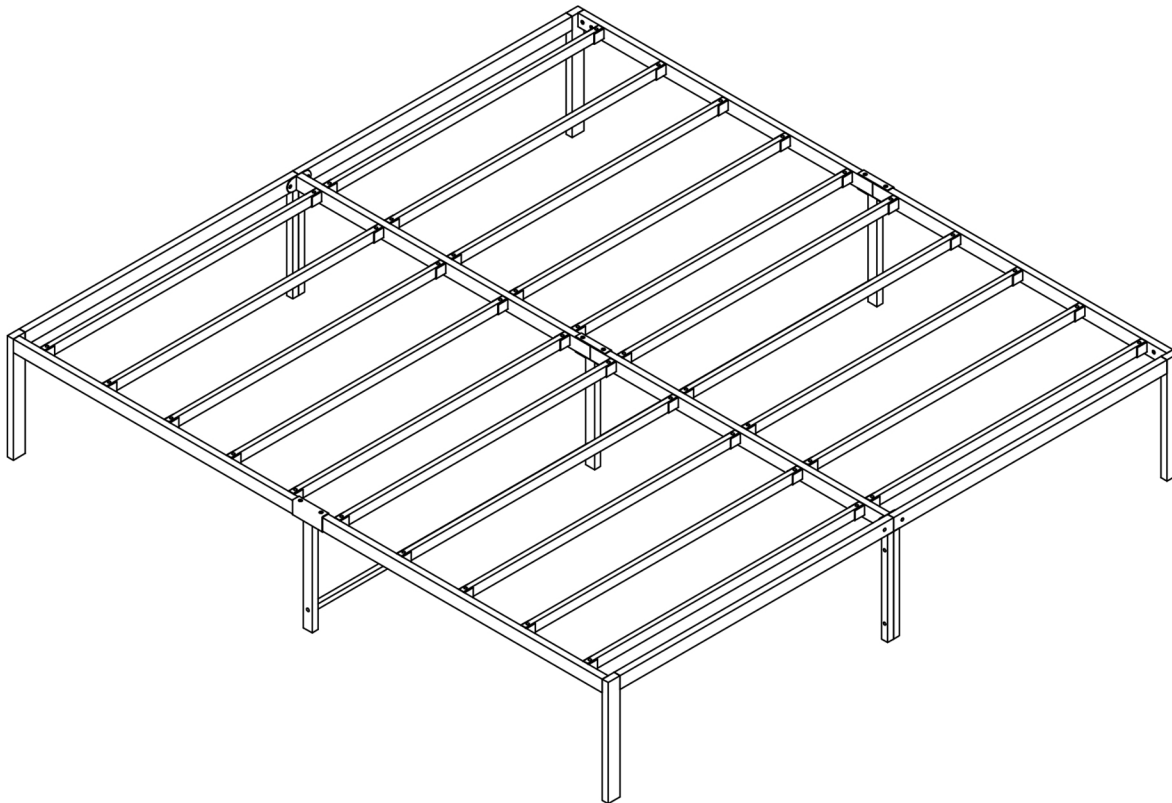


# ASSEMBLY INSTRUCTION

MODEL NUMBER : BF-930R



## WARRANTY:

We stand behind our products & service with confidence! If parts damaged or missing please feel free to contact us for a FREE REPLACEMENT.

We warranty this product to be free from defects in materials. This warranty covers one year from the date of original purchase.

## NOTES:

- The item is only intended to be used indoors. The product must be assembled and used in accordance with the provisions of the manual.
- It is recommended that assembly is undertaken by about 2 adults. Please read assembly instructions before assembly and strictly adhere to each step outlined. Estimated assembly time is 30 minutes.

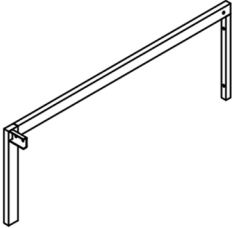
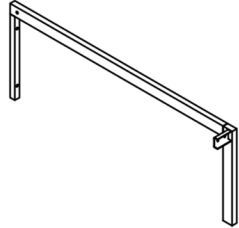
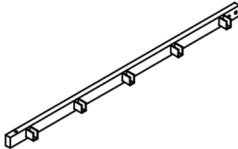
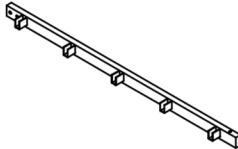
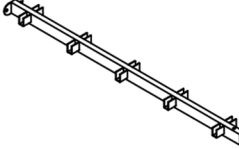
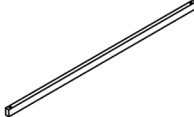
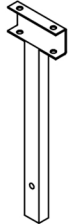
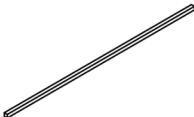
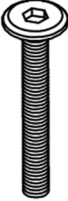
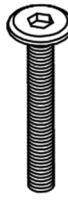
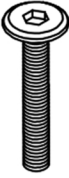

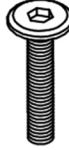


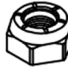


## WARNING:

- **WARNING FOR YOUNG CHILDREN** - This product contains small components, please ensure that they are kept away from small children while assembling.

After-sales support email: [after-saleservice@outlook.com](mailto:after-saleservice@outlook.com)

# 1

# PARTS LIST

| A   |   | B   |   | C  |   | D   |   | E   |   | F   |  | G   |  | I   |  |
|---|---|---|---|--|---|---|---|---|---|---|--|---|--|---|--|
|  |   |  |   |   |   |   |   |  |   |  |  |  |  |  |  |
| 2PCS  |   | 2PCS  |   | 2PCS   |   | 2PCS  |   | 2PCS  |   | 20PCS   |  | 3PCS  |  | 2PCS  |  |
| a   | b   | c   | d   | e  | g   | h   | i   | j   | k   |   |  |   |  |   |  |
|  |  |  |  |  |  |  |  |  |  |   |  |   |  |   |  |
| 1/4*55<br>6PCS  | 1/4*50<br>4PCS  | 1/4*40<br>40PCS   | 1/4*35<br>2PCS  | 1/4*30<br>4PCS   | 1/4*16<br>8PCS  | 1/4*45<br>1PC   | 54PCS   | 2PCS  | 2PCS  |   |  |   |  |   |  |

## IMPORTANT:

Please check parts list before you start to assembly. If parts damaged or missing. Contact your seller for a FREE REPLACEMENT. Please provide your order number, a brief message about the issue, and your shipping address. Thank you!

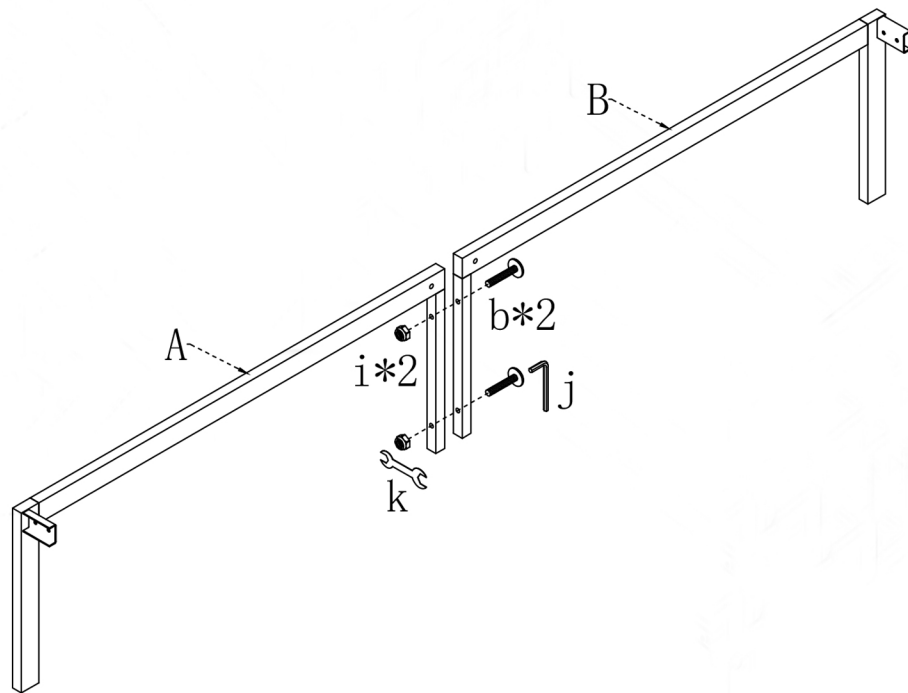
After-sales support email: [after-saleservice@outlook.com](mailto:after-saleservice@outlook.com)

2

NOTE: PLEASE DO NOT TIGHTEN THE BOLTS UNTIL ALL FIXED

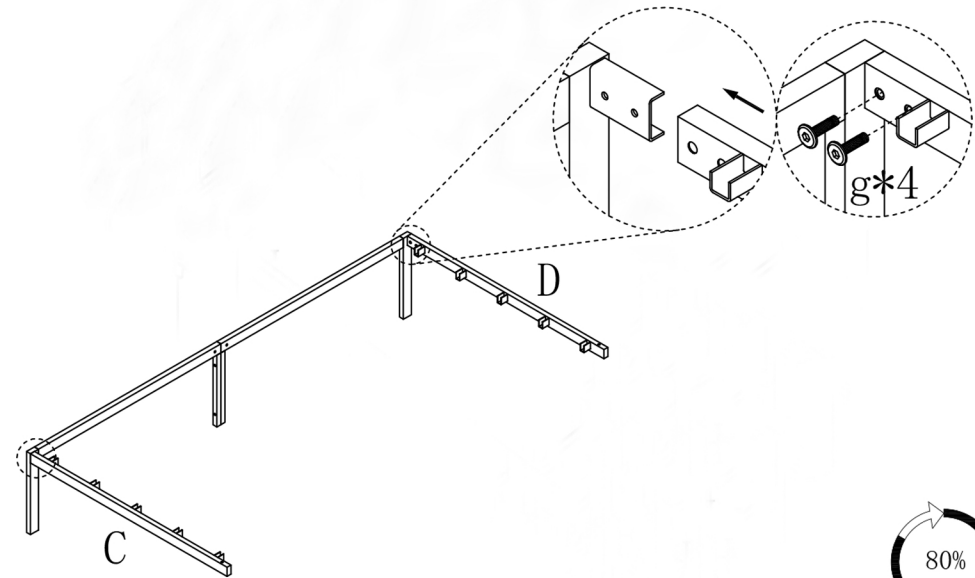
①

X2



②

X2

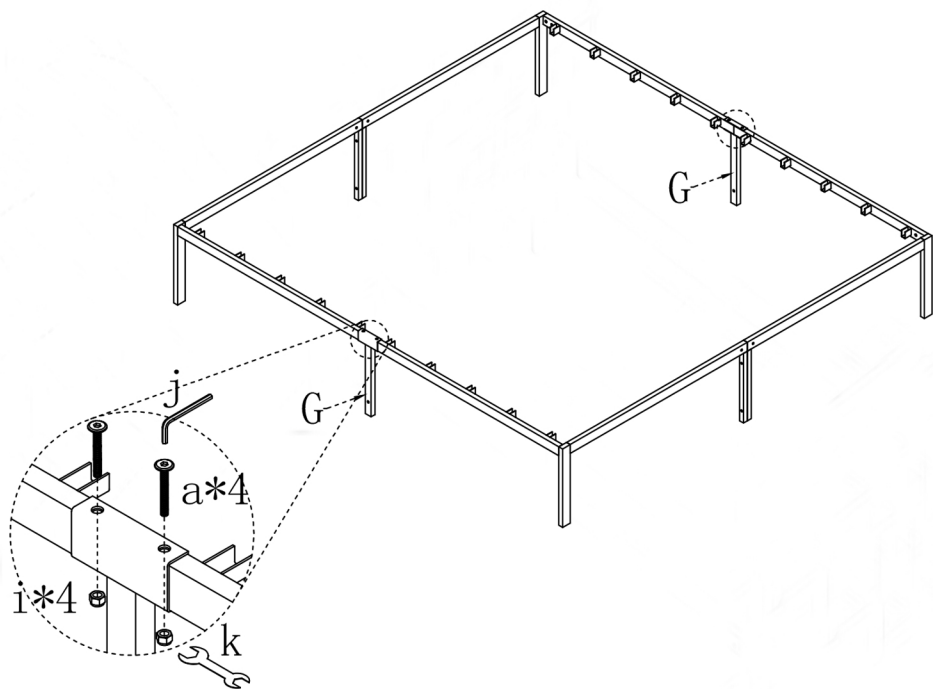


After-sales support email: [after-saleservice@outlook.com](mailto:after-saleservice@outlook.com)

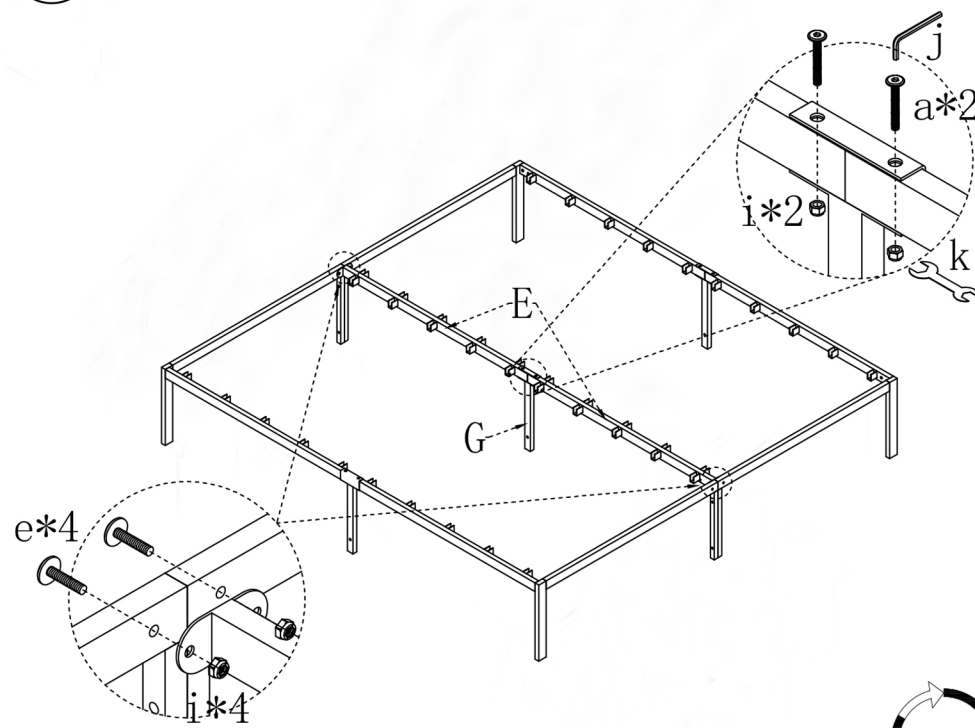
# 3

NOTE: PLEASE DO NOT TIGHTEN THE BOLTS UNTIL ALL FIXED

## 3



## 4



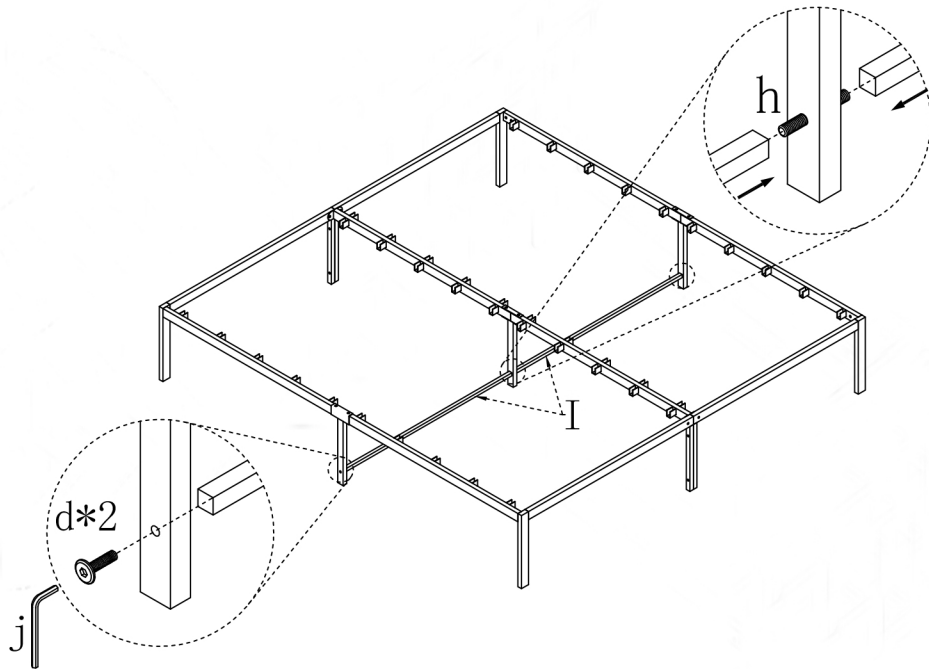
80%

After-sales support email: [after-saleservice@outlook.com](mailto:after-saleservice@outlook.com)

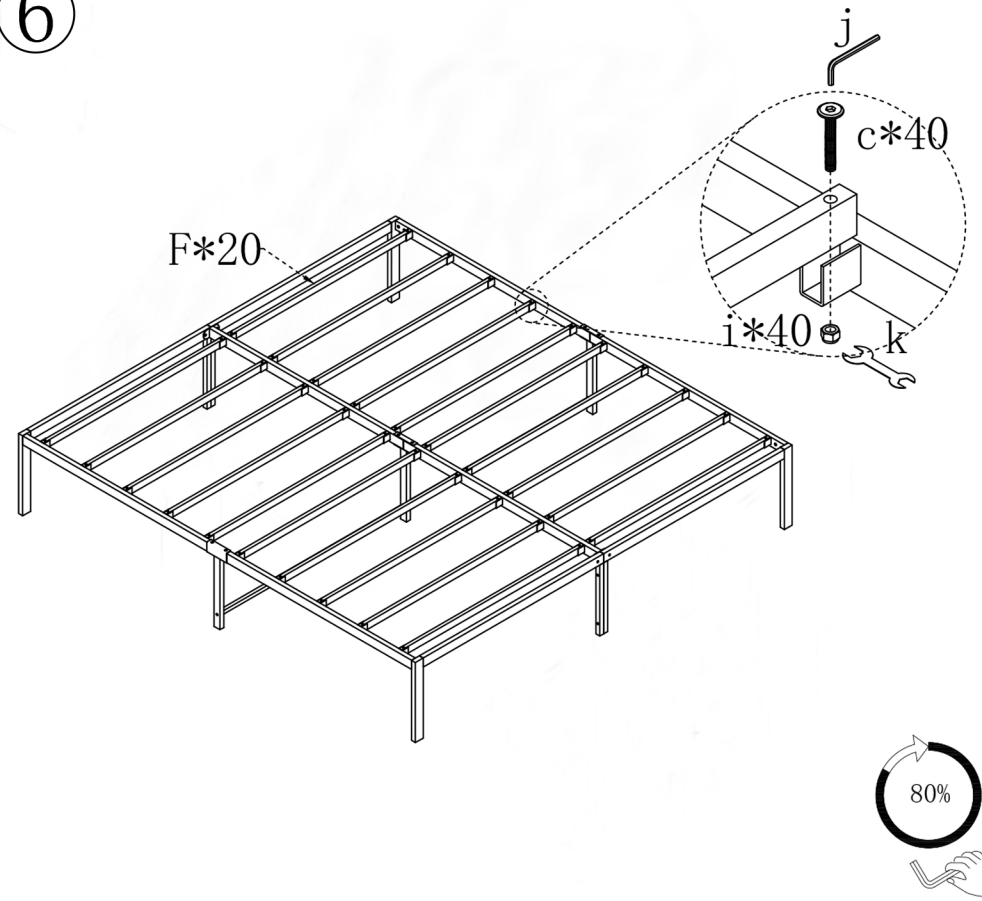
4

NOTE: PLEASE DO NOT TIGHTEN THE BOLTS UNTIL ALL FIXED

5



6

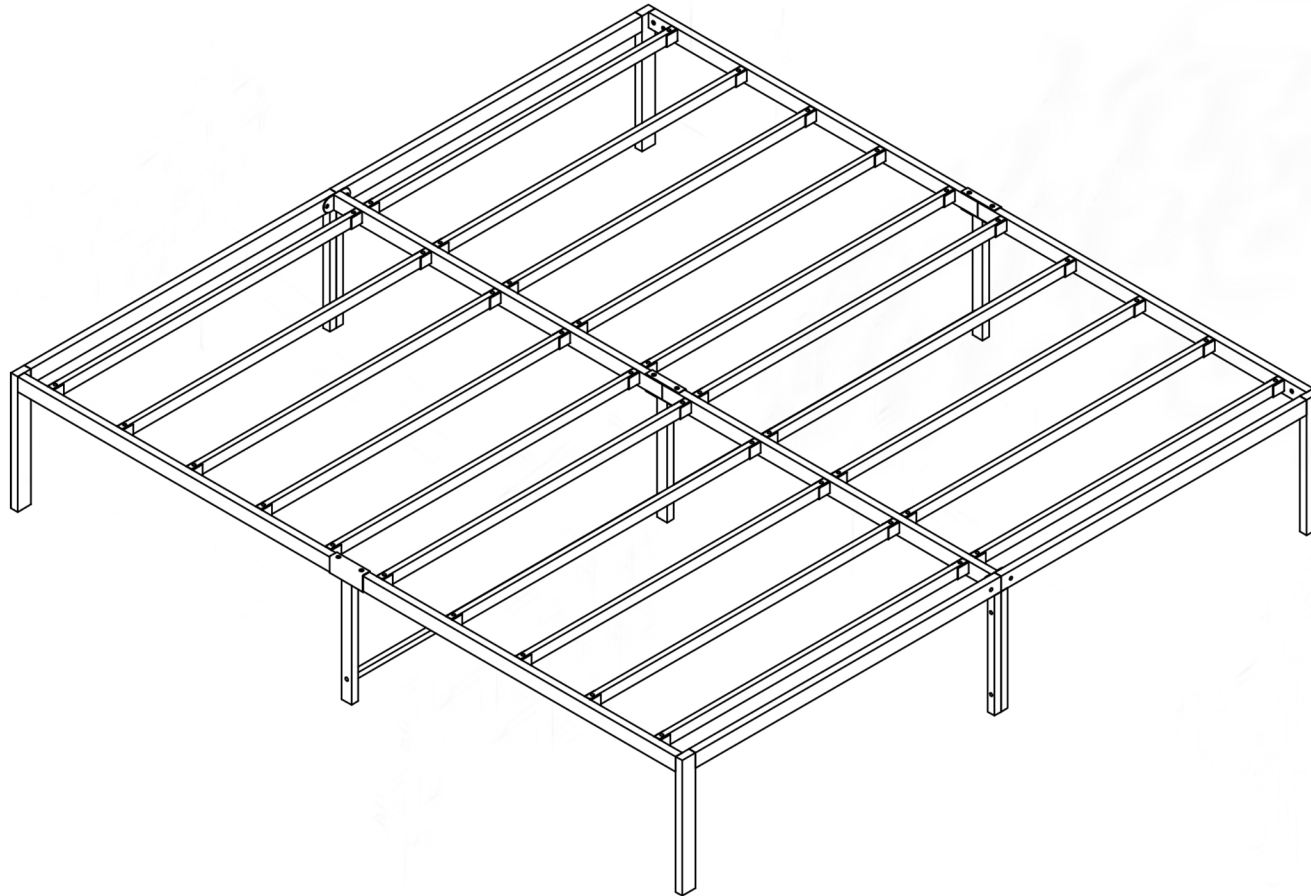


After-sales support email: [after-saleservice@outlook.com](mailto:after-saleservice@outlook.com)

5

NOTE: PLEASE DO NOT TIGHTEN THE BOLTS UNTIL ALL FIXED

7



**IMPORTANT:**Please completely tighten all the bolts and nuts.

After-sales support email: [after-saleservice@outlook.com](mailto:after-saleservice@outlook.com)