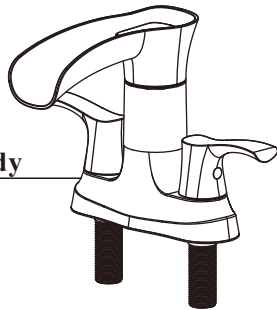


**FOR FAMILIES
DOUBLE HANDLE BASIN FAUCET
FOR CONVENIENCE
THE FAUCET OUTLET CAN
TURN 360 DEGREES
FOR THE SAKE OF AESTHETICS
THE FUSION OF CREATIVITY FROM
DESIGNER TEAM**

Parts included



① Faucet Body

② Rubber Gasket

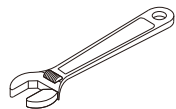
③ Lock nut

④ Cone Rubber Washer

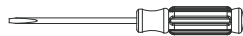
⑤ Plastic Nut-2

⑥ Red and Blue Inlet Pipe

Tools you may need



Wrench



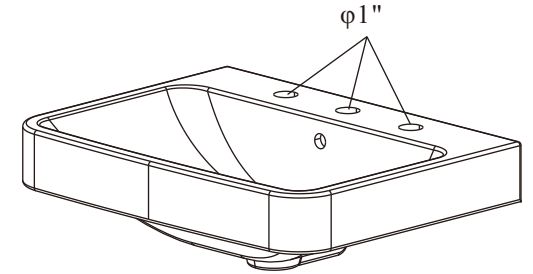
Screwdriver



Teflon Tape

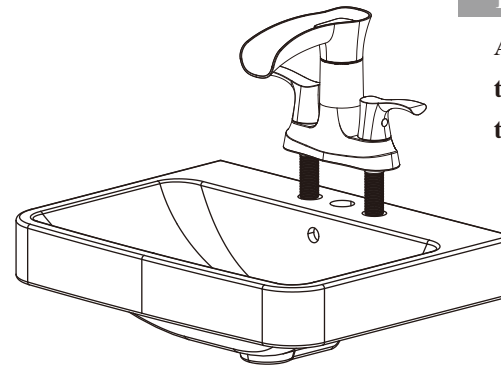
Installation(1)

Before installation, make sure
installation hole diameter is $\varnothing 1''$
Basin thickness :0.4"-1".



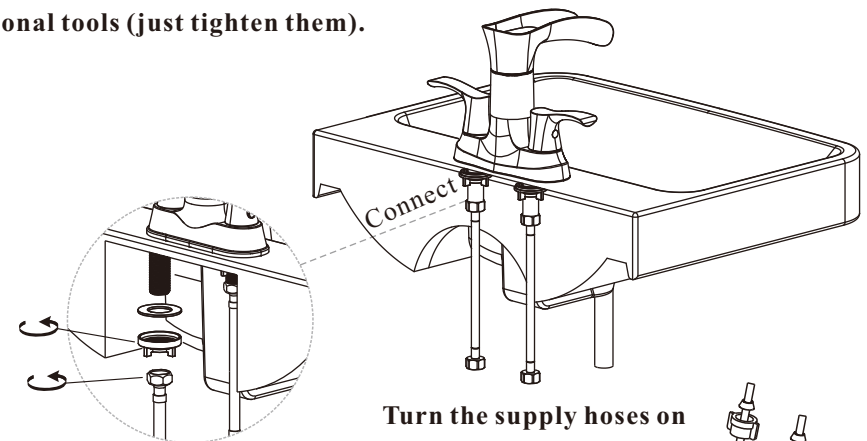
Installation(2)

As shown in the picture, take out
the basin faucet and place it into
the hole of the ceramic basin.

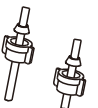


Installation(3)

Tighten the two lock nuts on the basin
with additional tools (just tighten them).

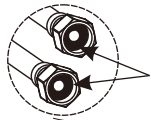
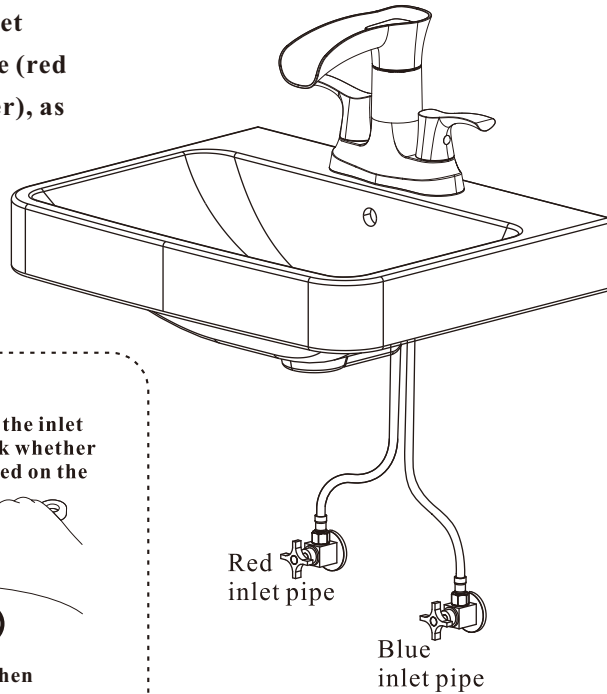


Turn the supply hoses on
the body components.

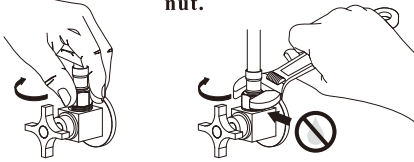


Installation(4)

According to the color of the inlet pipe, connect to the corner valve (red for hot water, blue for cold water), as shown in the picture.

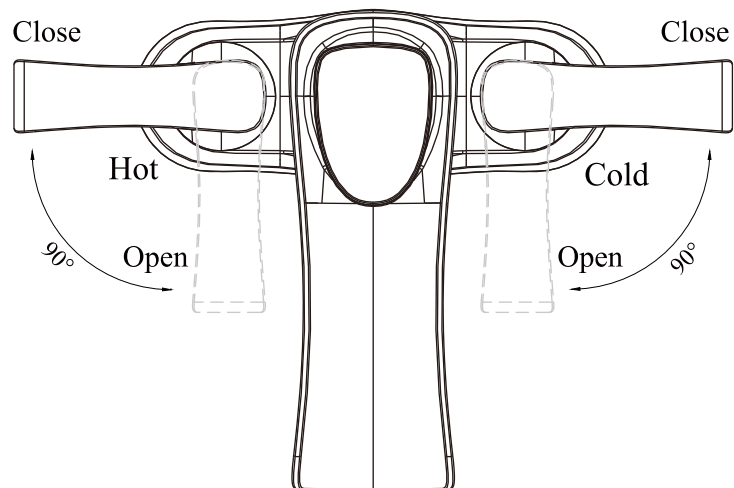


Before installing the inlet pipe, please check whether the gasket is placed on the nut.



Tighten the nuts manually and then reinforce them with tools.

Product usage



Cleaning

1. To maintain proper working conditions, cleaning is required when mineral deposits appear on spray nozzles. To clean mineral deposits, gently rub rubber nozzles on the face of shower head to dislodge.
2. To clean heavier deposits, remove shower head and soak face down in a cup of white vinegar for 2-3 hours. Replace shower head and run in each spray settings to flush out vinegar. **DO NOT** use harsh chemicals, heavy-duty cleaners or abrasives. This may damage parts or finished product and may void warranty.

