

ASSEMBLY INSTRUCTIONS



Fine Furniture for every stage of life

Dining Table

REVISION 0: 05/30/2018
REVISION 1: 12/23/2020

PAGE 1 OF 3

ASSEMBLY INSTRUCTIONS

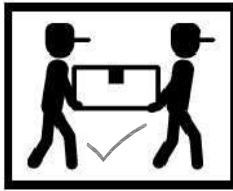
ASSEMBLY TIPS :

1. Remove hardware from box and sort by size.
2. Please check to see that all hardware and parts are present prior to start of assembly.
3. Please follow attached instructions in the same sequence as numbered to assure fast & easy assembly.



WARNING !

1. Don't attempt to repair or modify parts that are broken or defective. Please contact the store immediately.
2. This product is for home use only and not intended for commercial establishments.

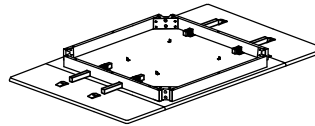


ASSEMBLY TIME

15 MINUTES

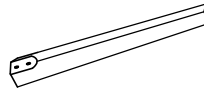
PARTS IDENTIFICATION

A TOP



1PC

B LEG



4PCS

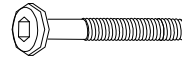
HARDWARE IDENTIFICATION

1 ALLEN WRENCH
(M4 x 63mm - BLK)



1PC

2 BOLT
(M6 x 60mm - RBW)



8PCS

3 LOCK WASHER
(1/4" - BLK)



8PCS

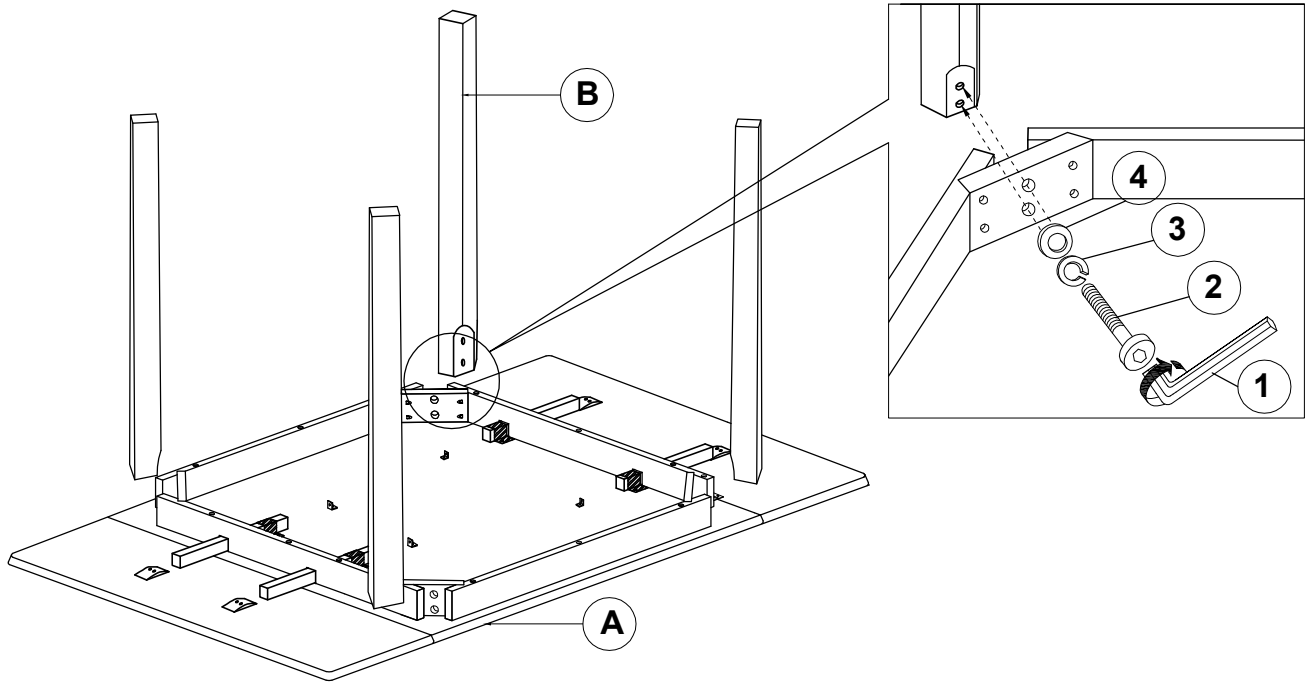
4 FLAT WASHER
(5/16" - RBW)



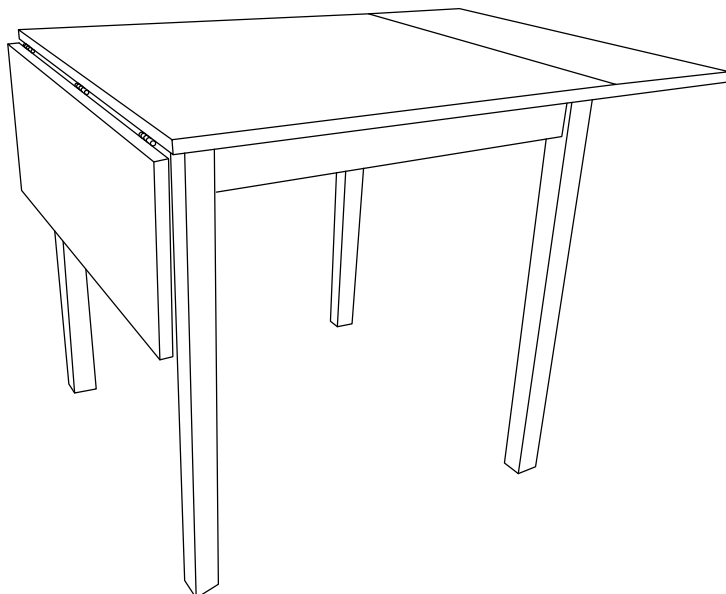
8PCS

ASSEMBLY INSTRUCTIONS

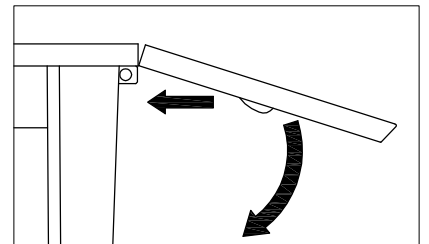
STEP 1



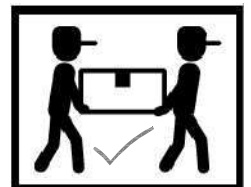
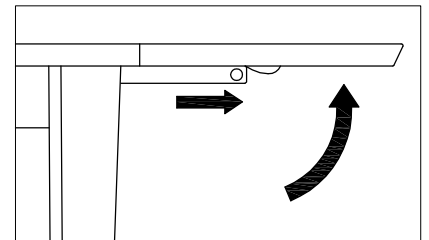
STEP 2 **COMPLETE**

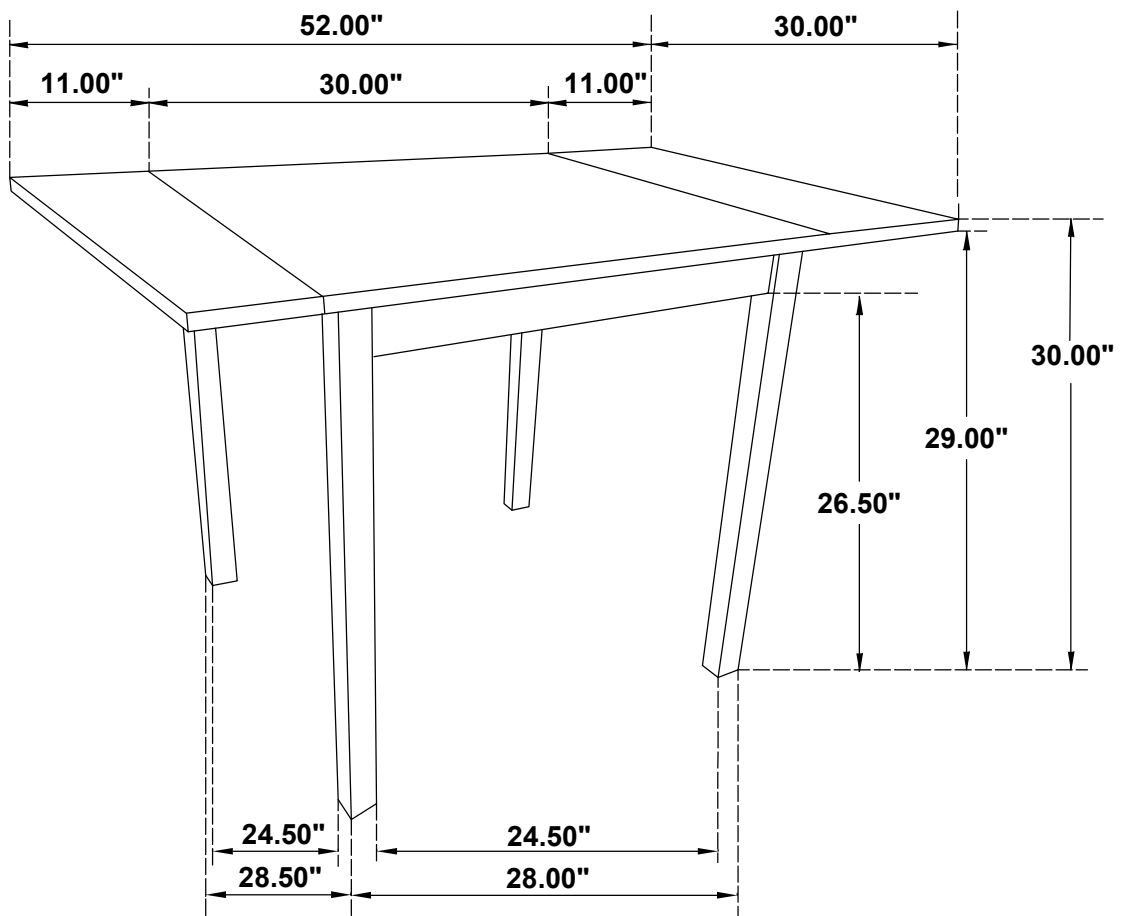


PUSH IN THE WOOD RUNNER TO FOLD DOWN THE LEAF.



PULL OUT THE WOOD RUNNER TO HOLD THE LEAF IN PLACE.





Note: Dimension tolerance $\pm 5\%$