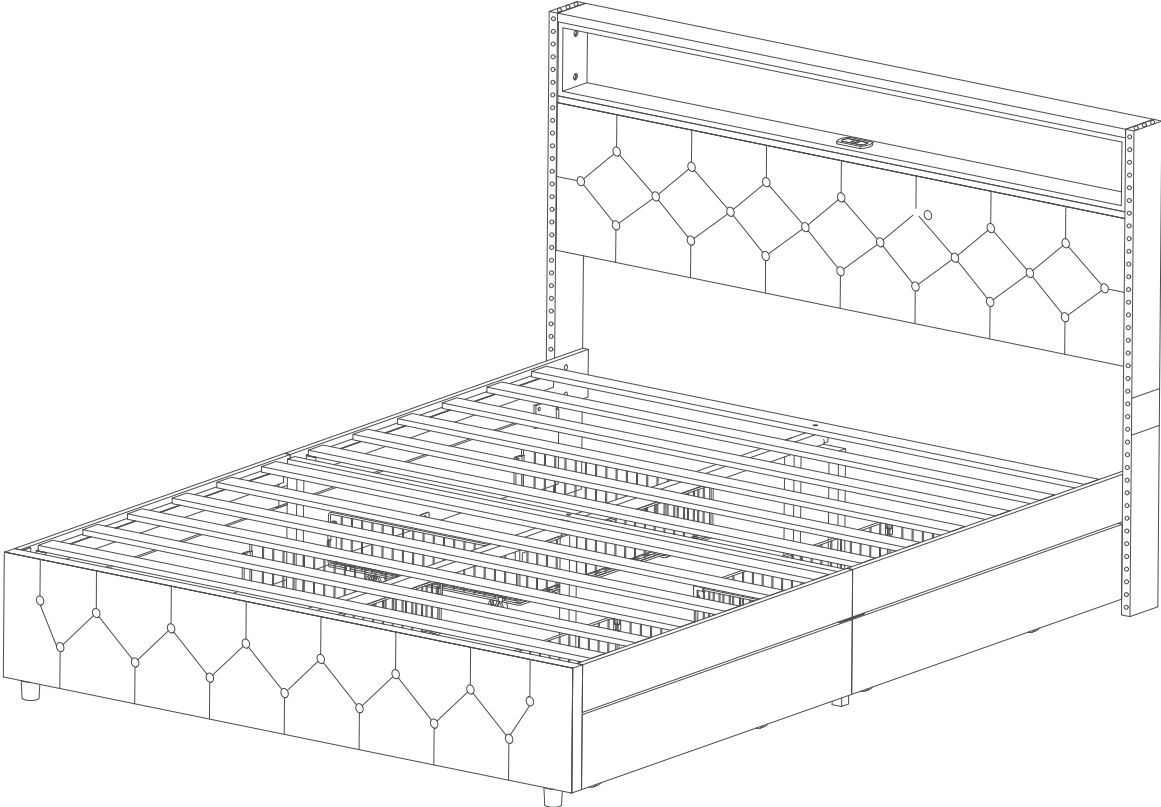


Upholstered Bed / INSTRUCTION MANUAL



WF318930/WF318931/WF318932/WF318933

Safety Information



DANGER

- Keep small parts away from children during assembly.
- Read and follow instructions carefully.



WARNING

- TO GUARANTEE THE SAFE USE OF THIS PRODUCT, FOLLOW THE WARNINGS, GUIDELINES AND RECOMMENDATIONS IN THIS MANUAL.
- Adult assembly required.
- Small parts may present choking hazard prior to assembly.



CAUTION

- This set comes in 2 boxes. If you don't receive a full 2 boxes, please contact our customer service.
- Do not overtighten connectors (screws, bolts, etc.). Overtightening can lead to product damage.
- Be sure to check all packing materials carefully for small parts that may have come loose inside the carton during shipment. If parts are missing, contact THE HOME DEPOT to obtain any missing parts.
- DO NOT USE SUBSTITUTE PARTS.
- This product should only be used on a flat, level surface.
- Read these instructions carefully and retain them for future use. If this product is passed to a third party, then these instructions must be included.
- Assembly requires two people; assembly alone may cause injury.
- Before using the product be sure that it is completely and properly assembled.
- During assembly children should be kept away from the product to avoid possible risk of injury.
- Regularly check screws to ensure they are tightened securely .
- Überprüfen Sie die Schrauben regelmäßig, um sicherzustellen, dass sie sicher angezogen sind.

Pre-assembly

PLANNING ASSEMBLY

- Remove all Packaging materials , staples and packing straps from the carton .
- Refer to Parts List and Hardware List , and ensure parts and hardware are correct before assembly .
- Contact customer service for missing parts .
- Place all wooden parts on a clean , flat , and soft surface (e.g.carpet or rug) to prevent scratch and damage to parts .

TOOLS REQUIRED



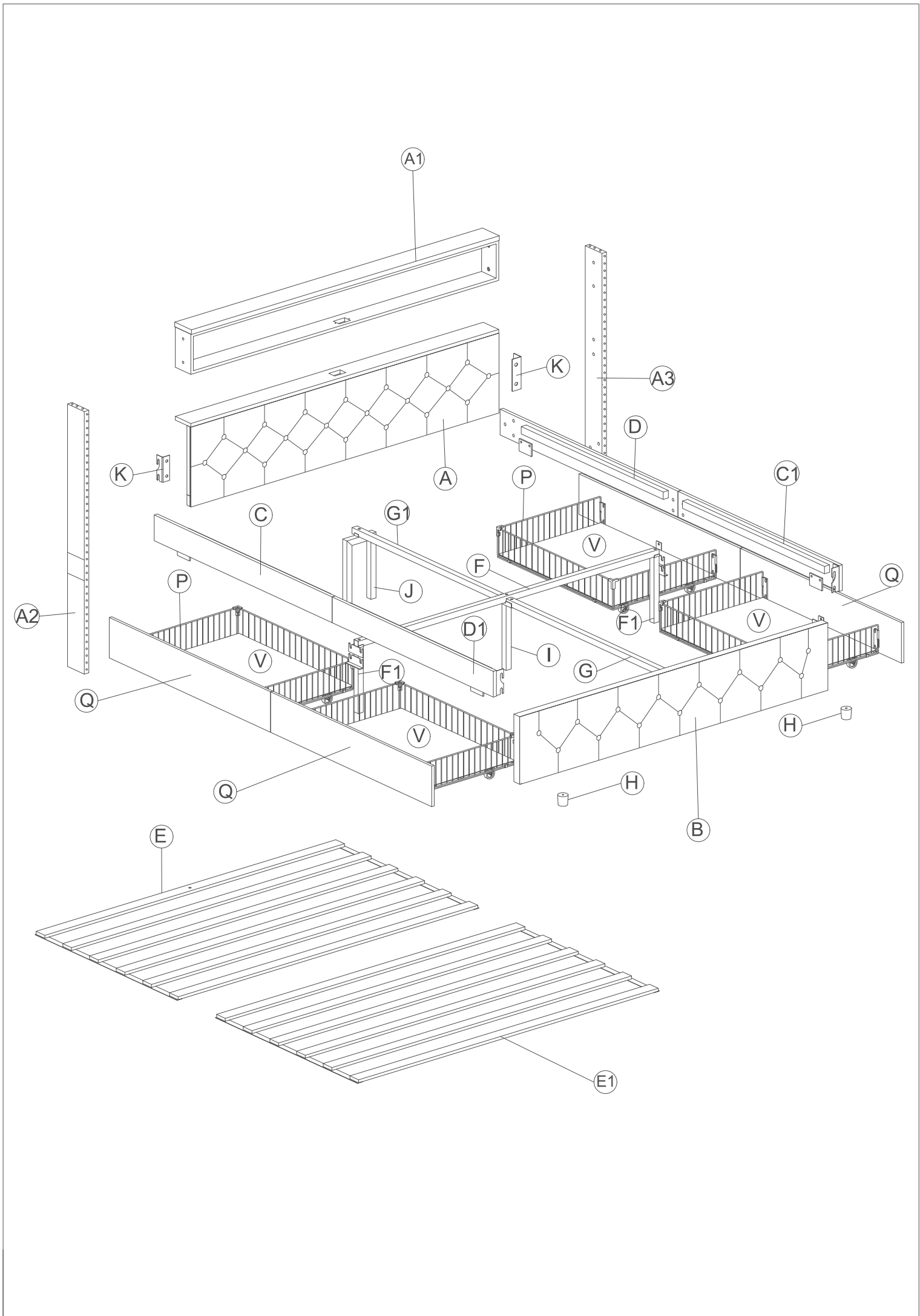
Safety goggles

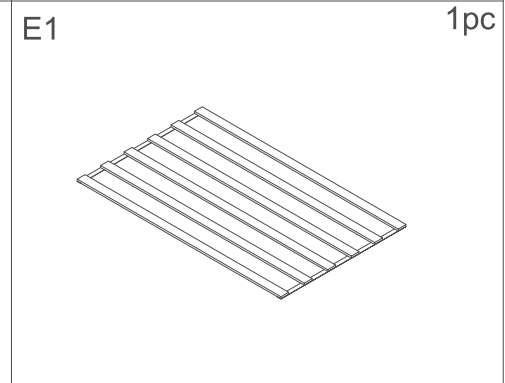
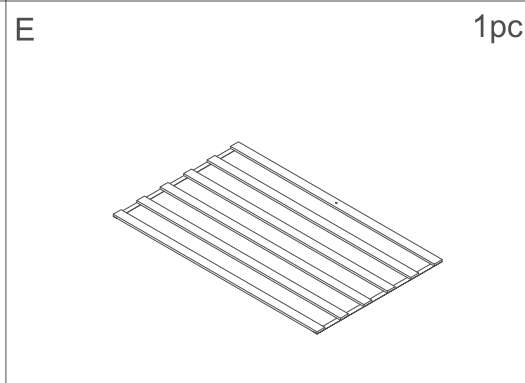
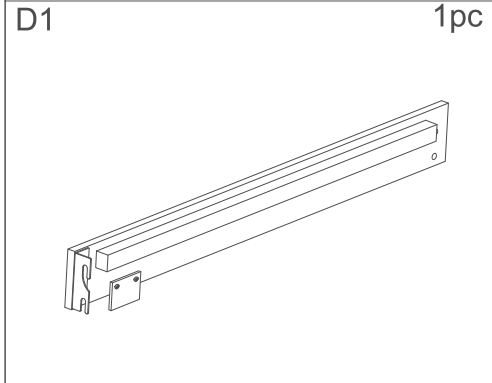
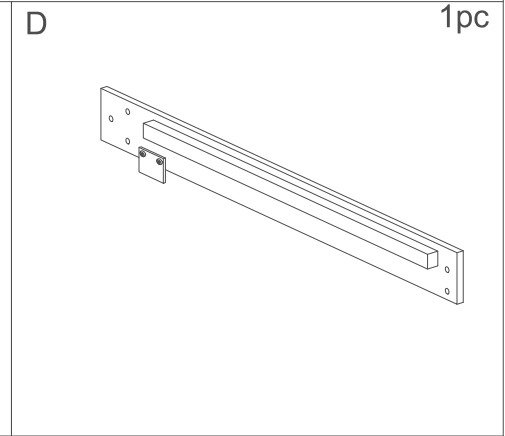
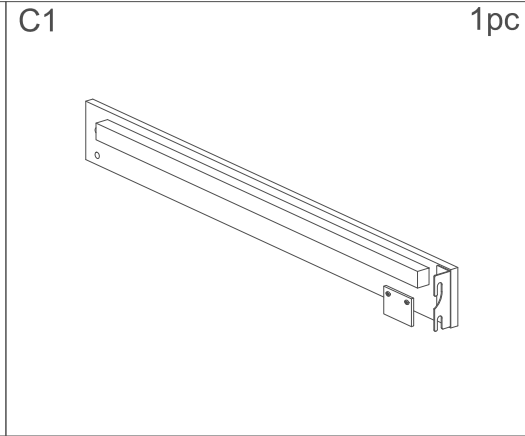
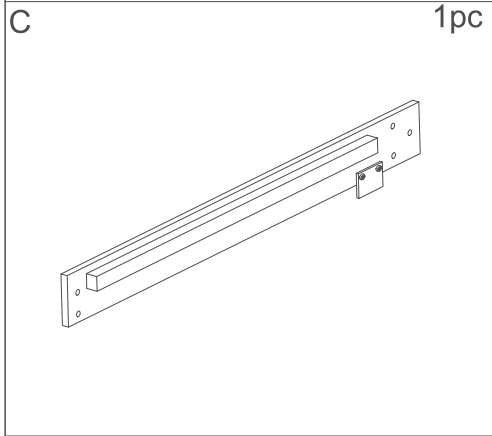
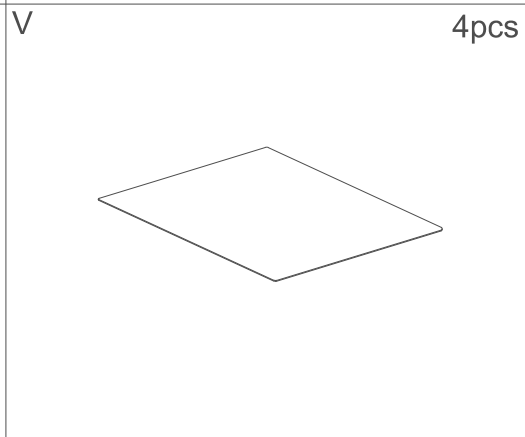
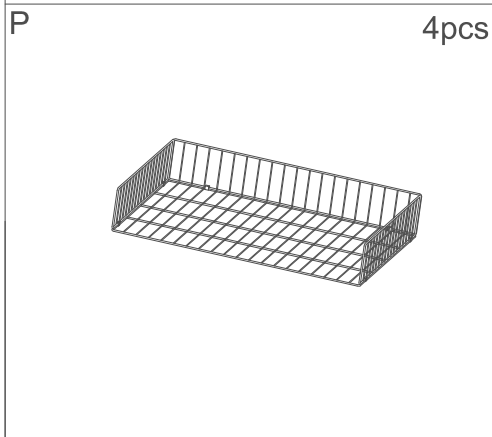
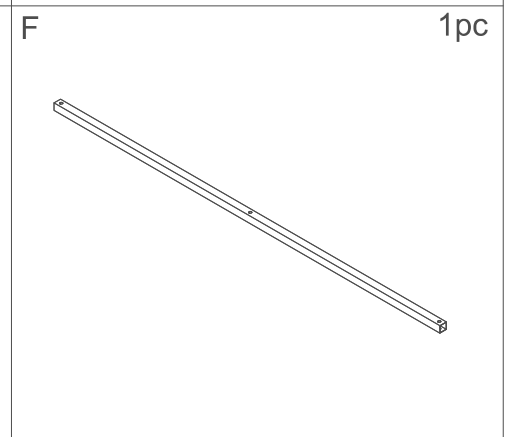
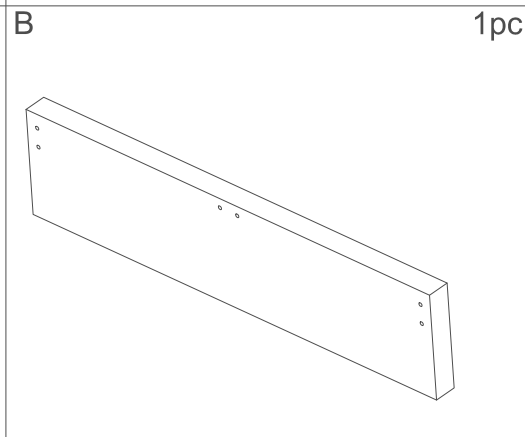
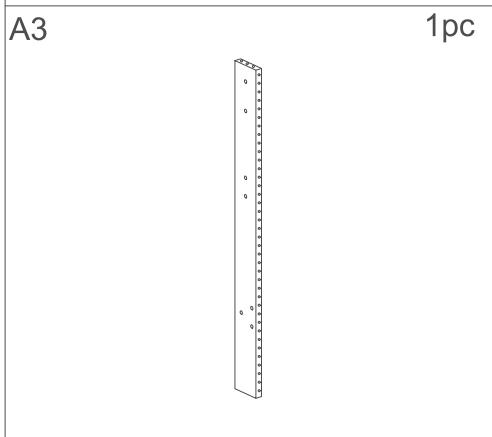
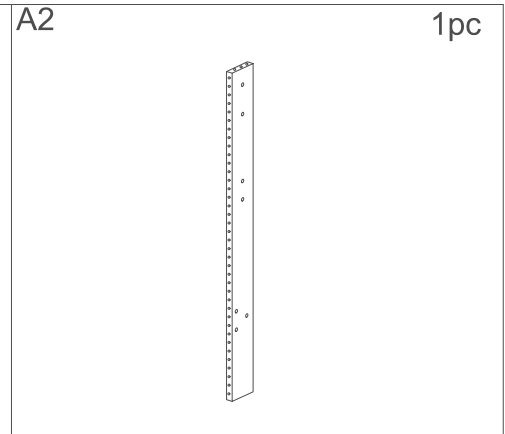
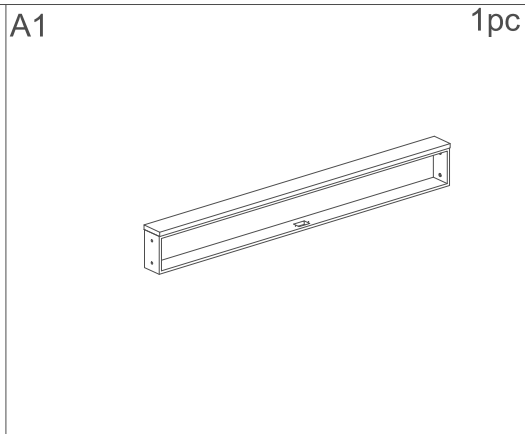
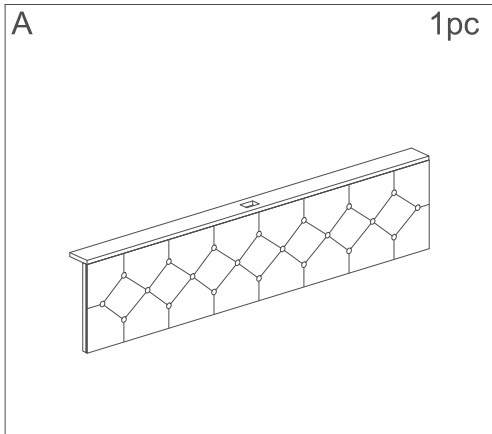


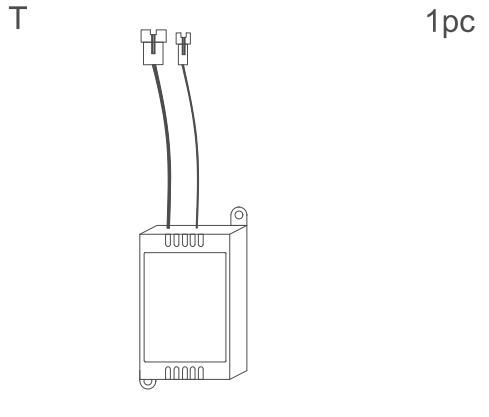
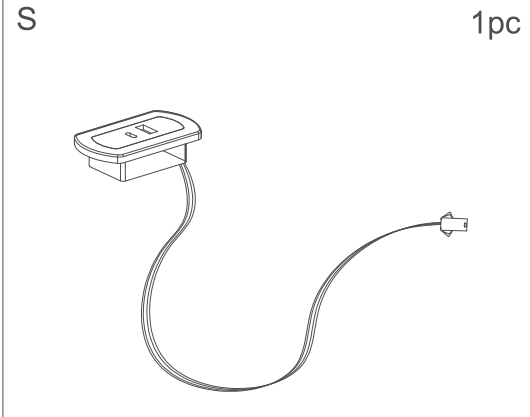
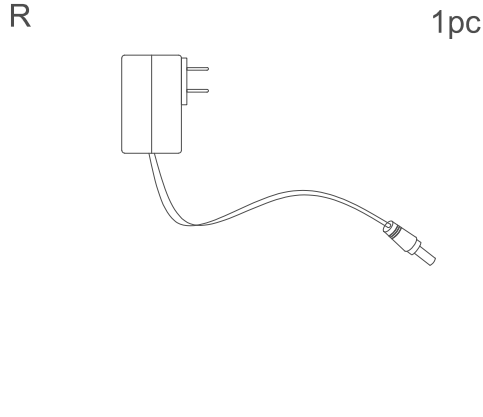
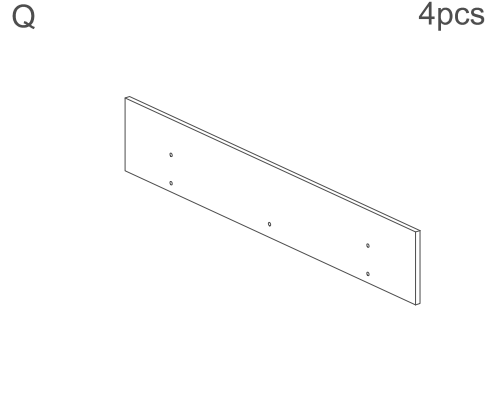
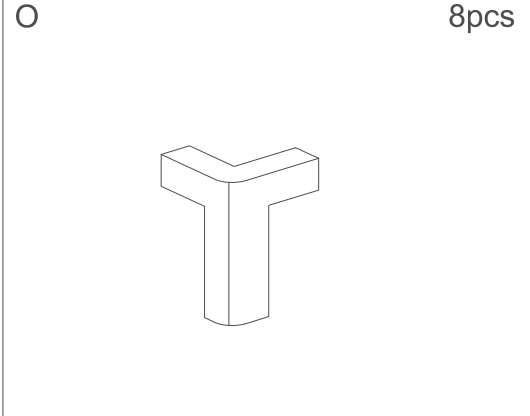
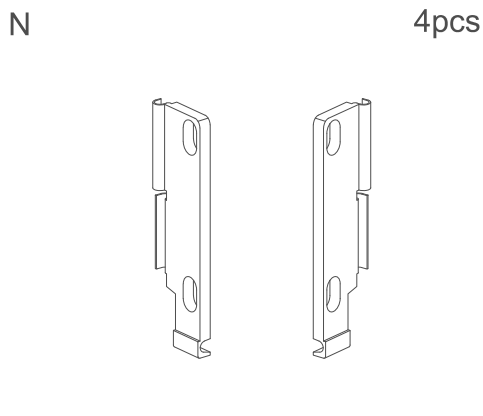
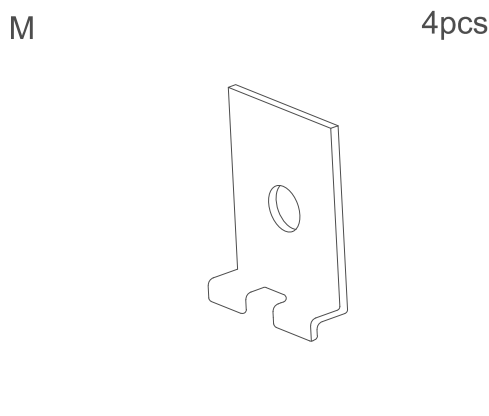
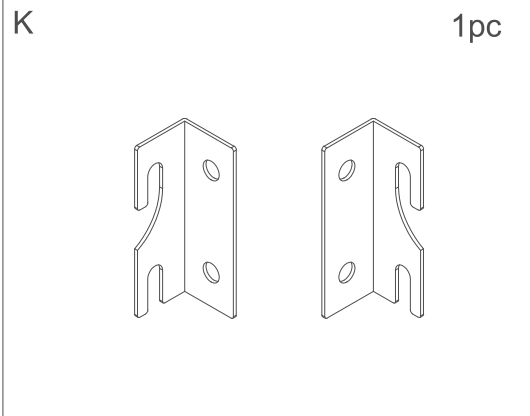
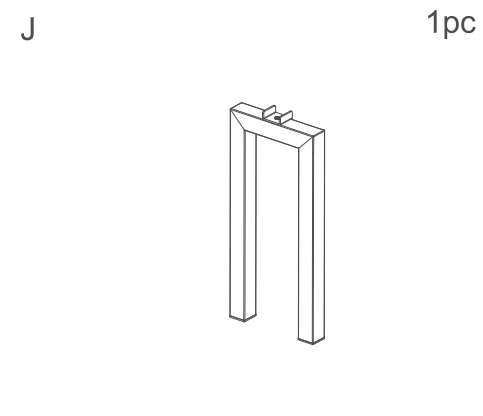
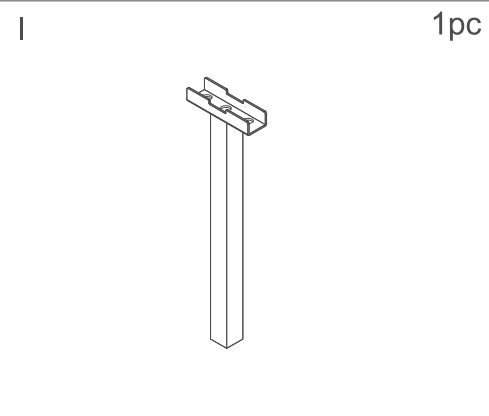
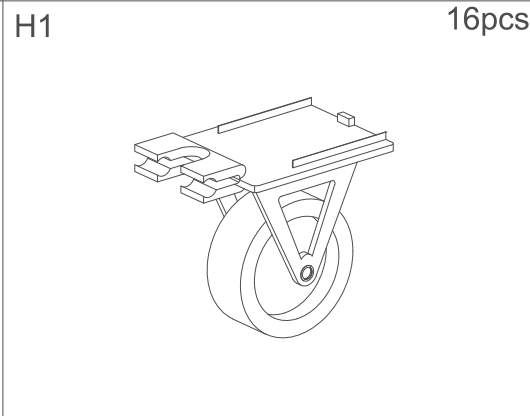
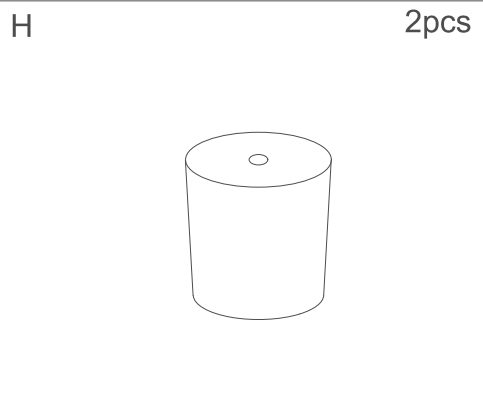
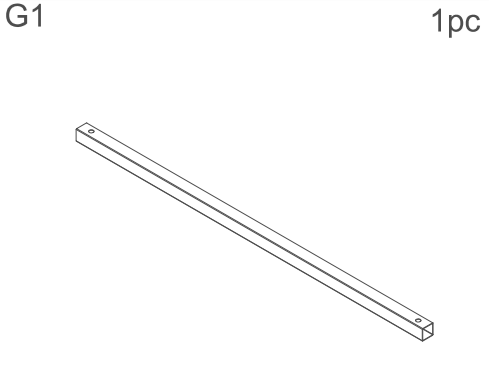
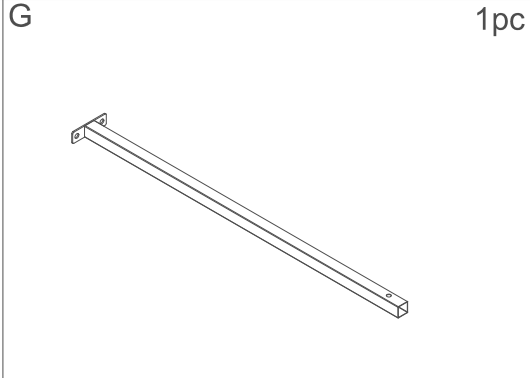
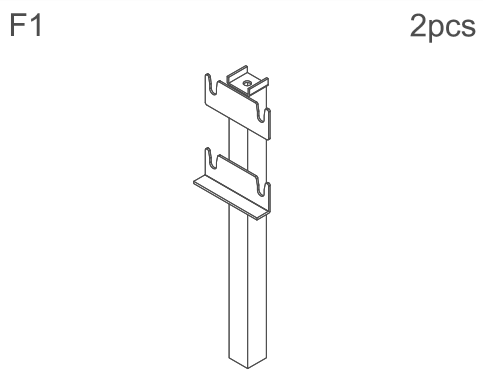
Level



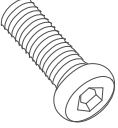
Cross Screwdriver





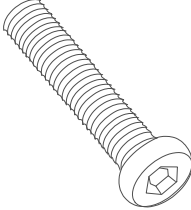


1 20pcs




M6*15

2 2pcs




M6*30

3 16pcs



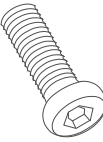
M8*16

4 6pcs



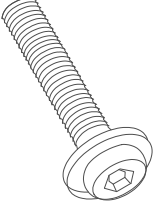
M8*25

5 4pcs



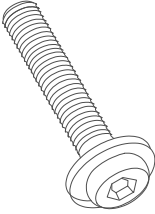
M8*25

6 4pcs



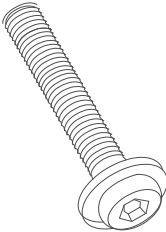
M8*35

7 6pcs




M8*40

8 2pcs



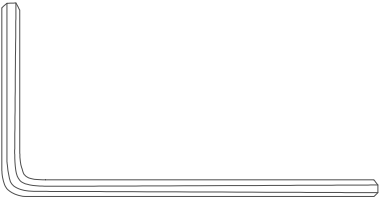
M8*50

9 1pc




25*70*M4

10 1pc



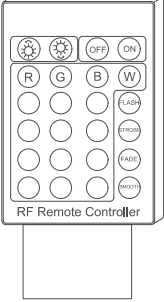
35*70*M5

11 4pcs



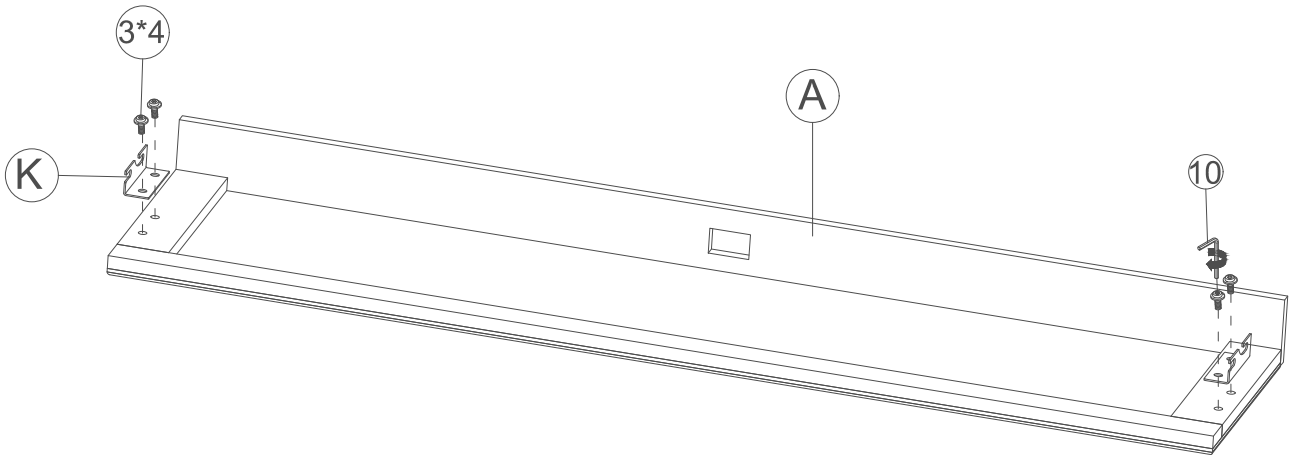
M2.6*10

U 1pc

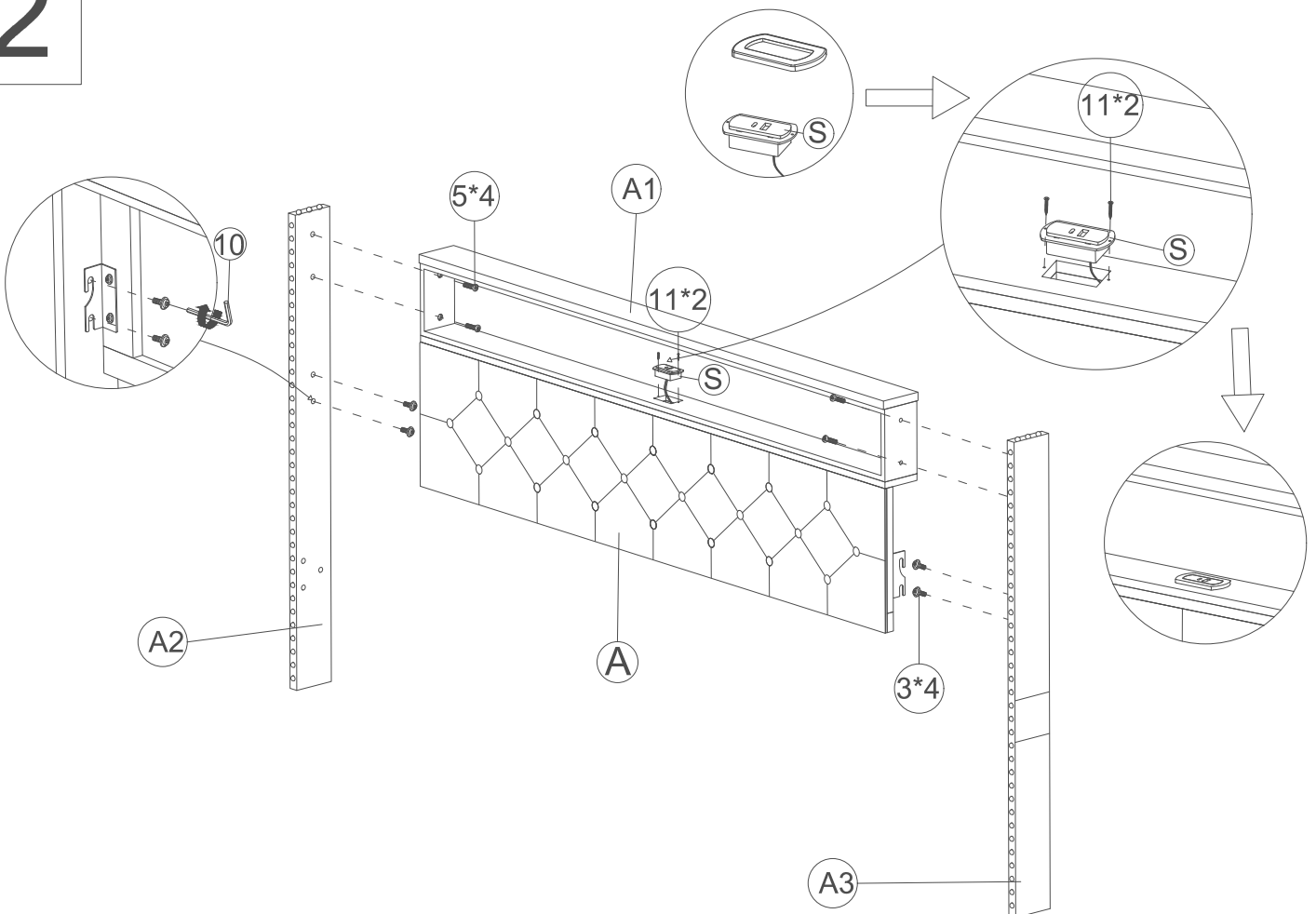


RF Remote Controller

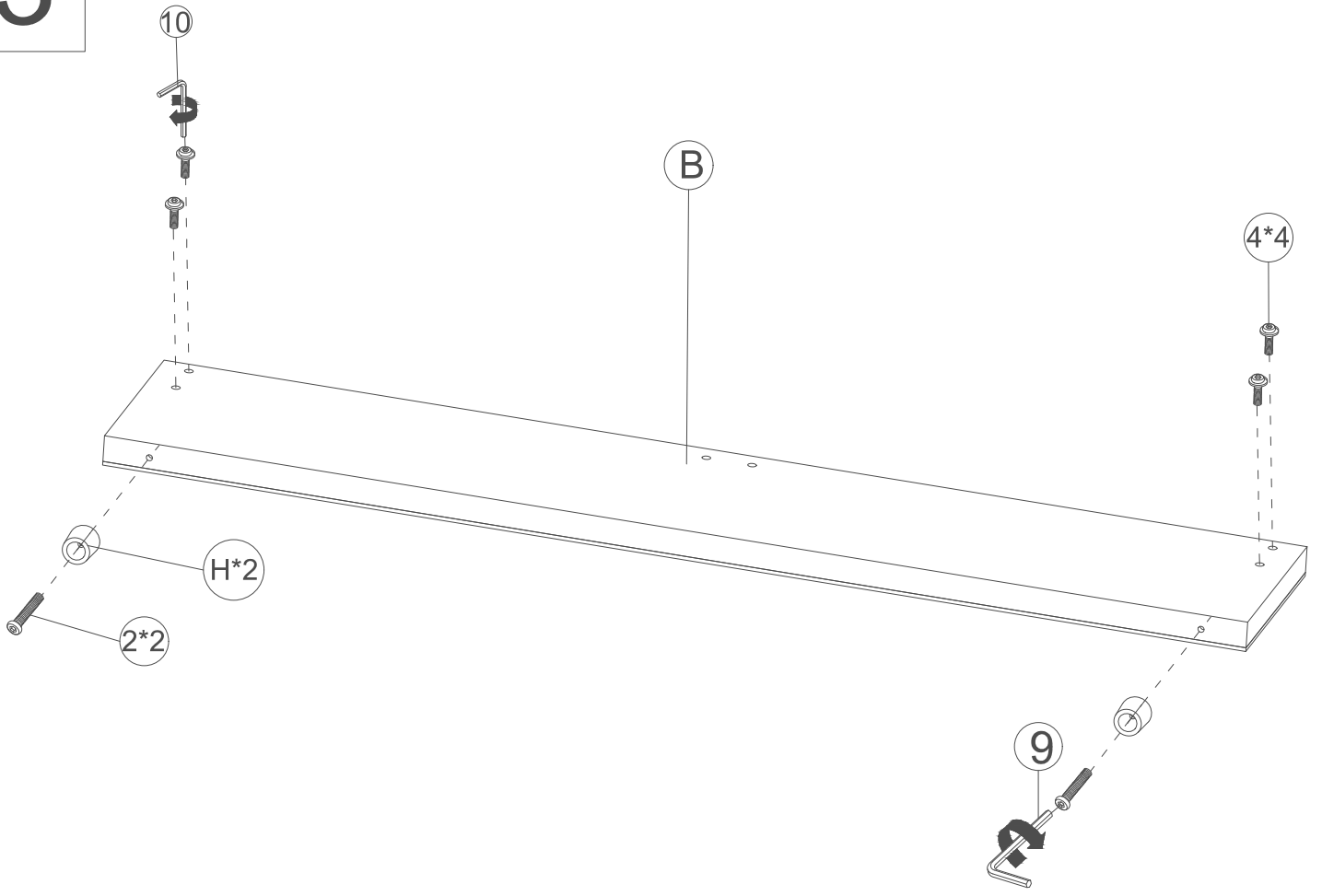
1



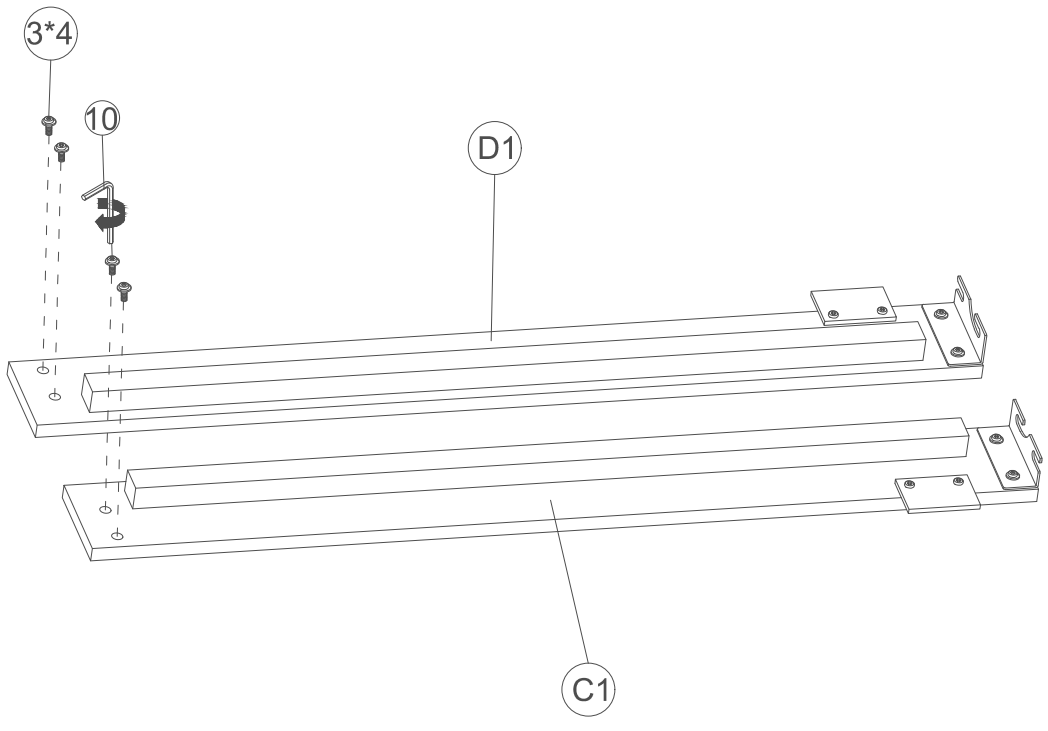
2



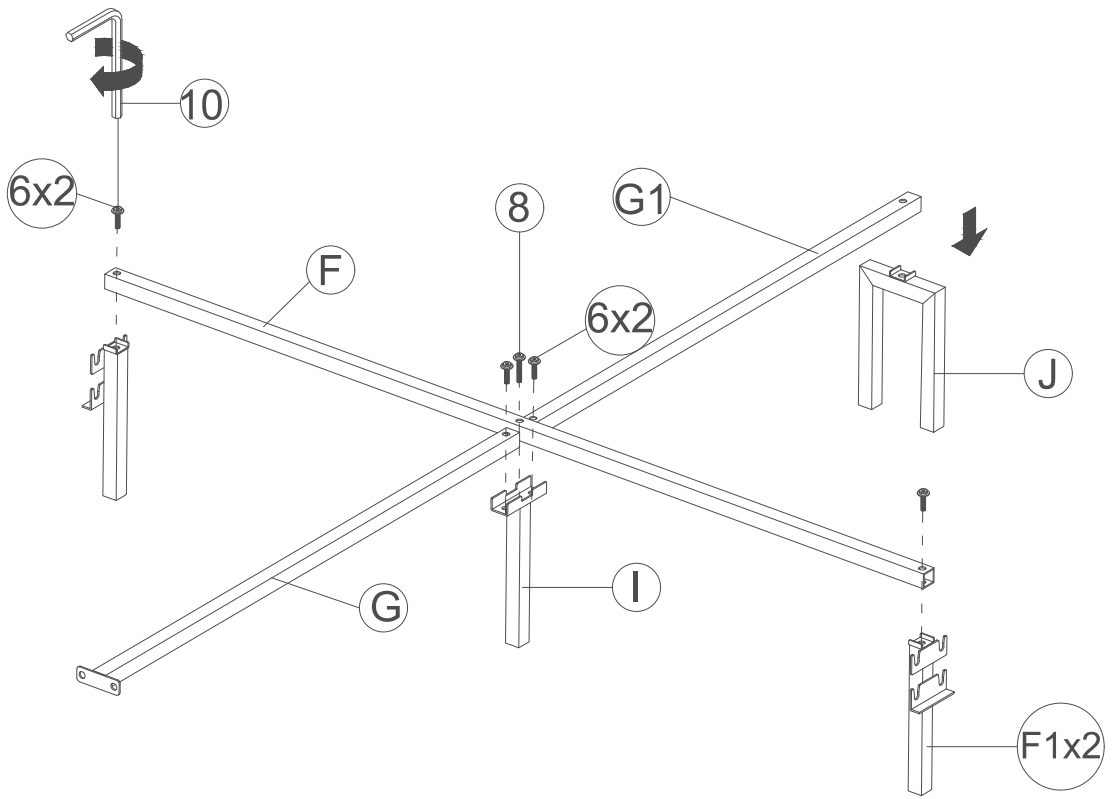
3



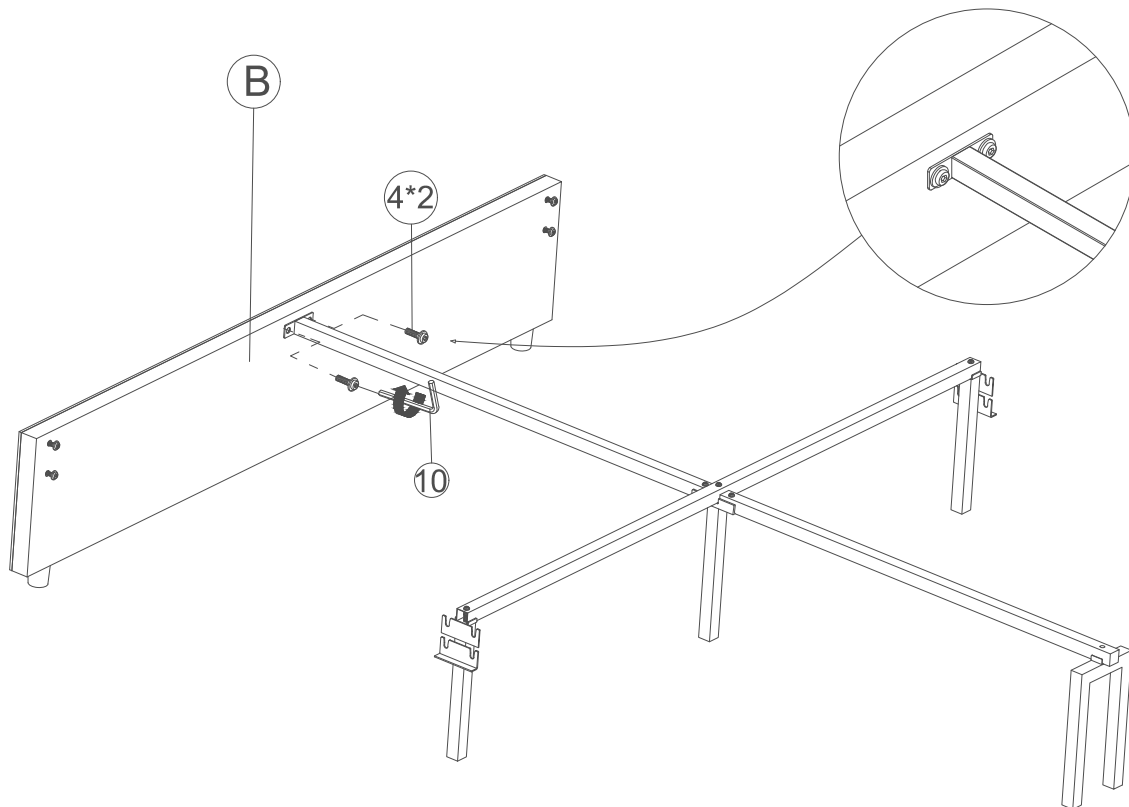
4



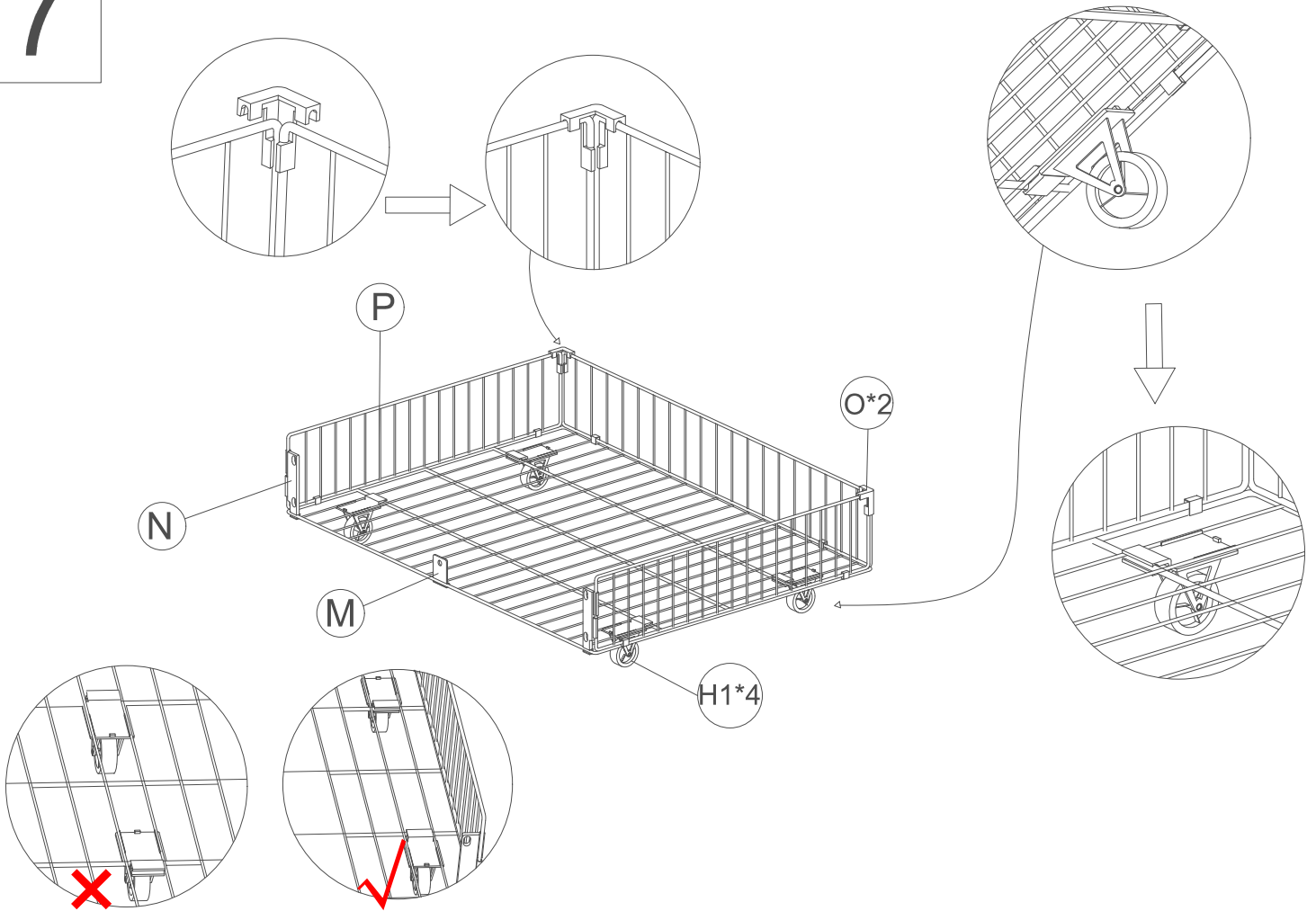
5



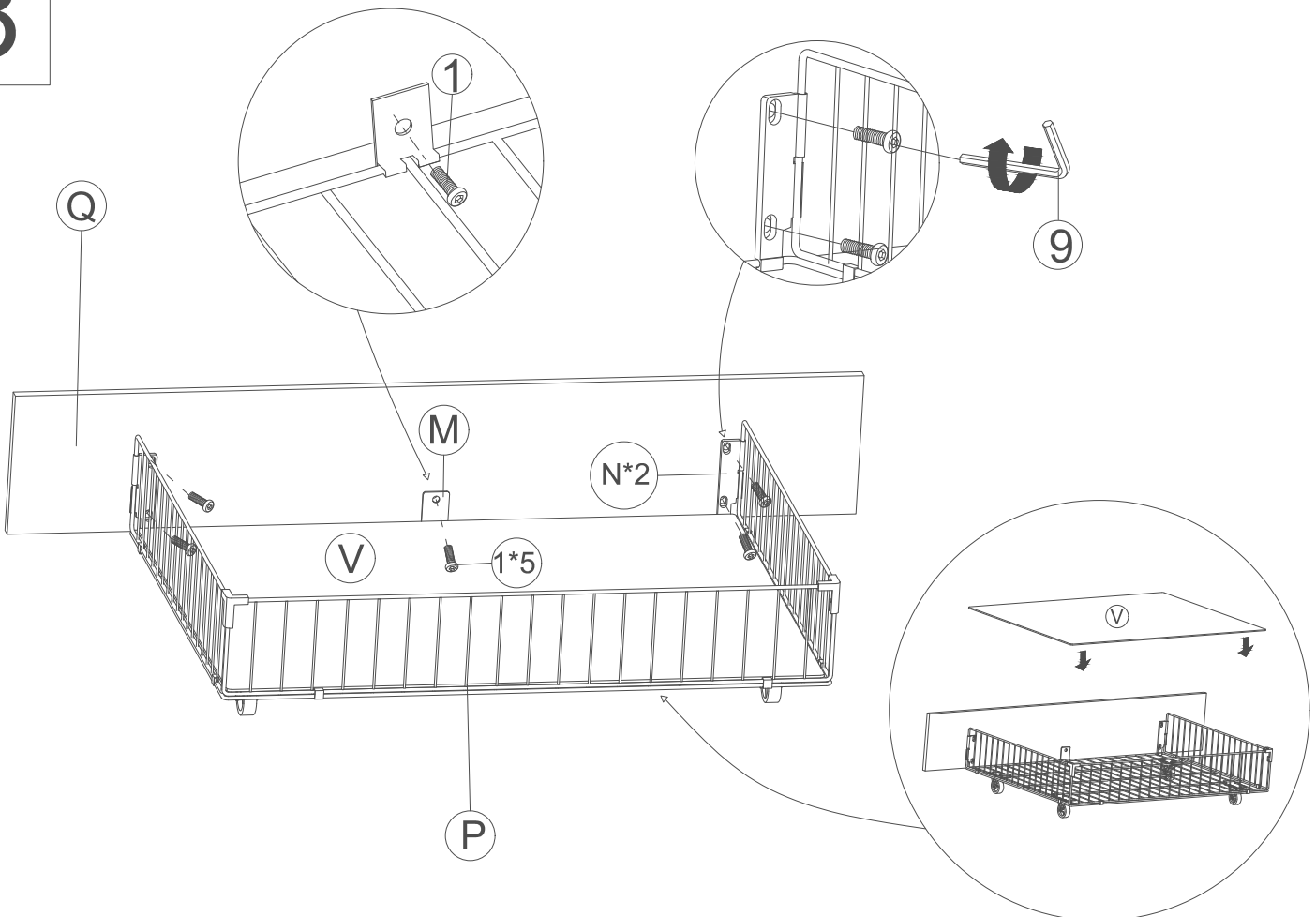
6



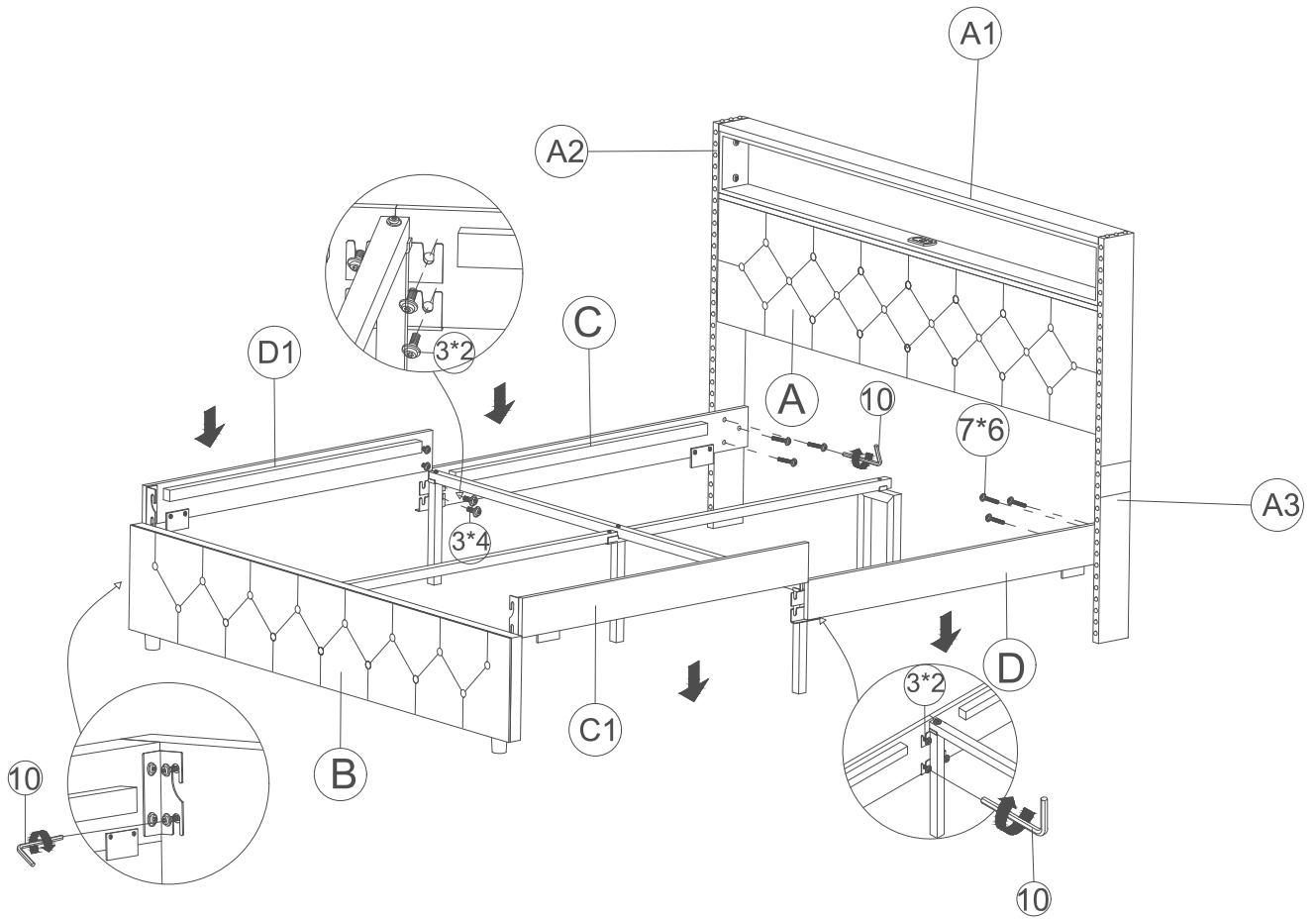
7



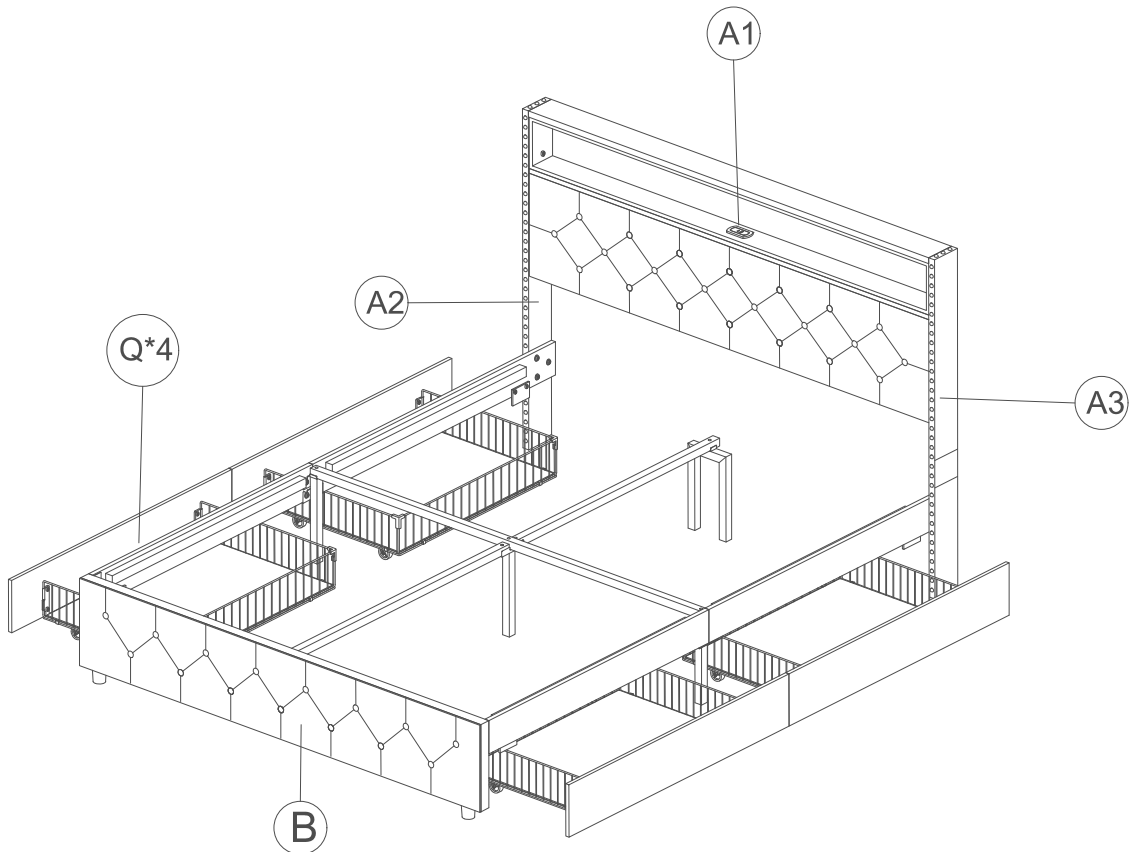
8



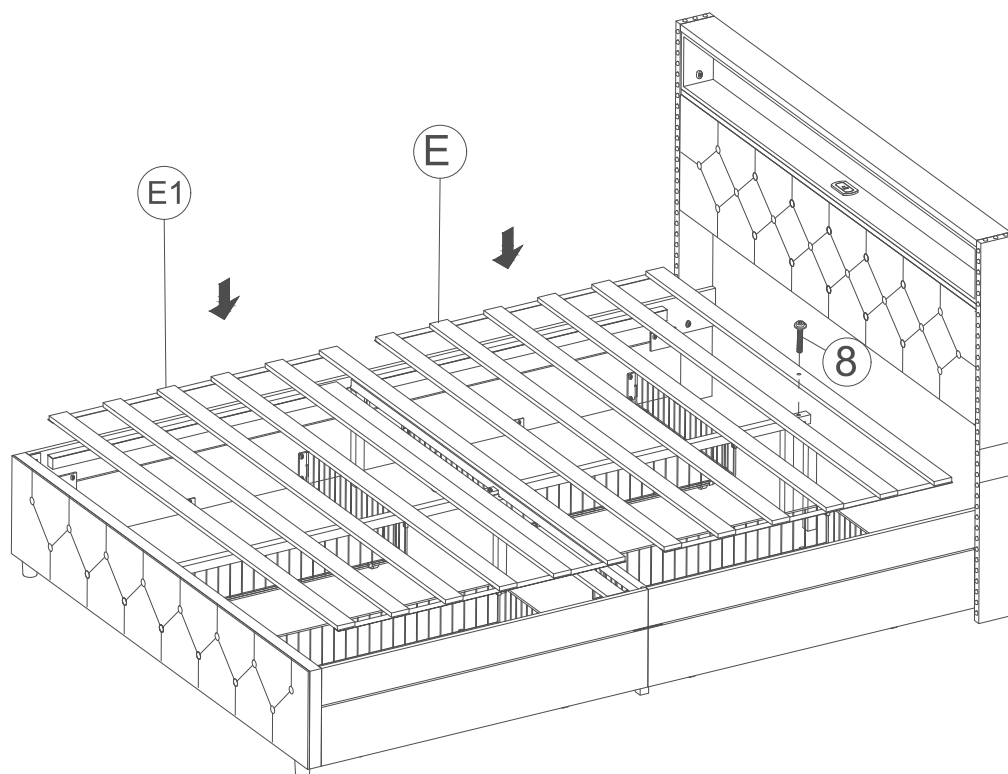
9



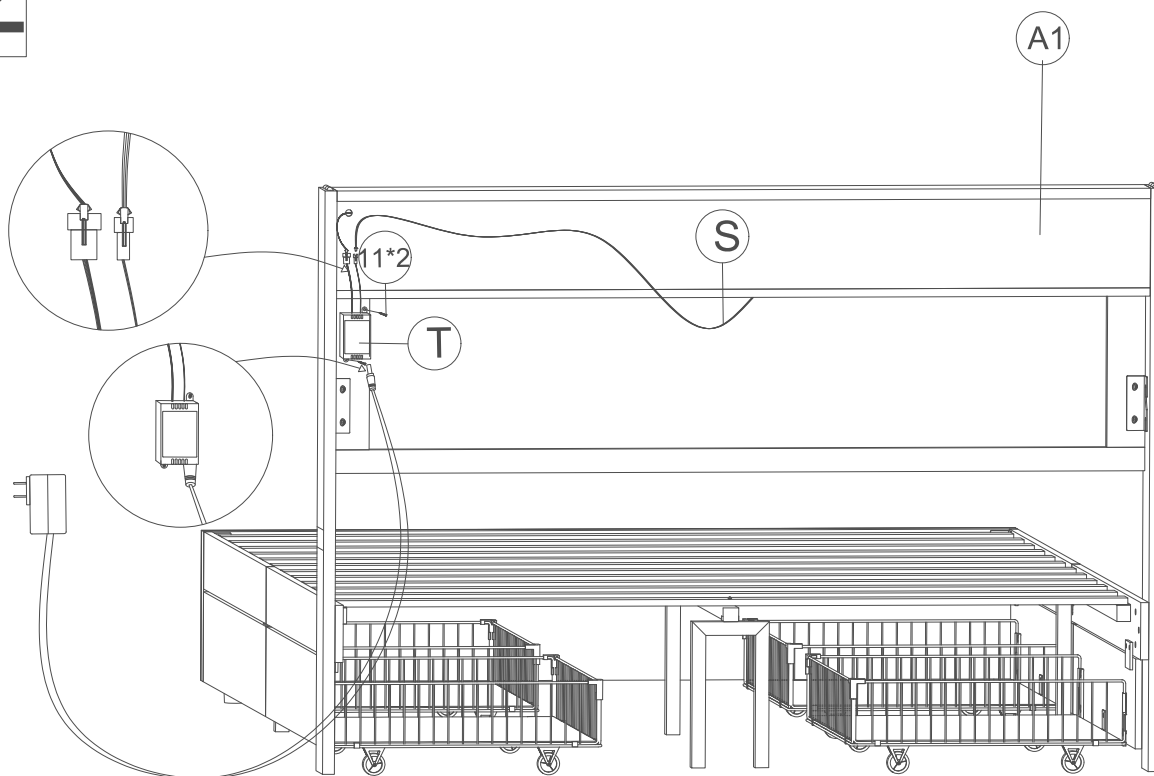
10

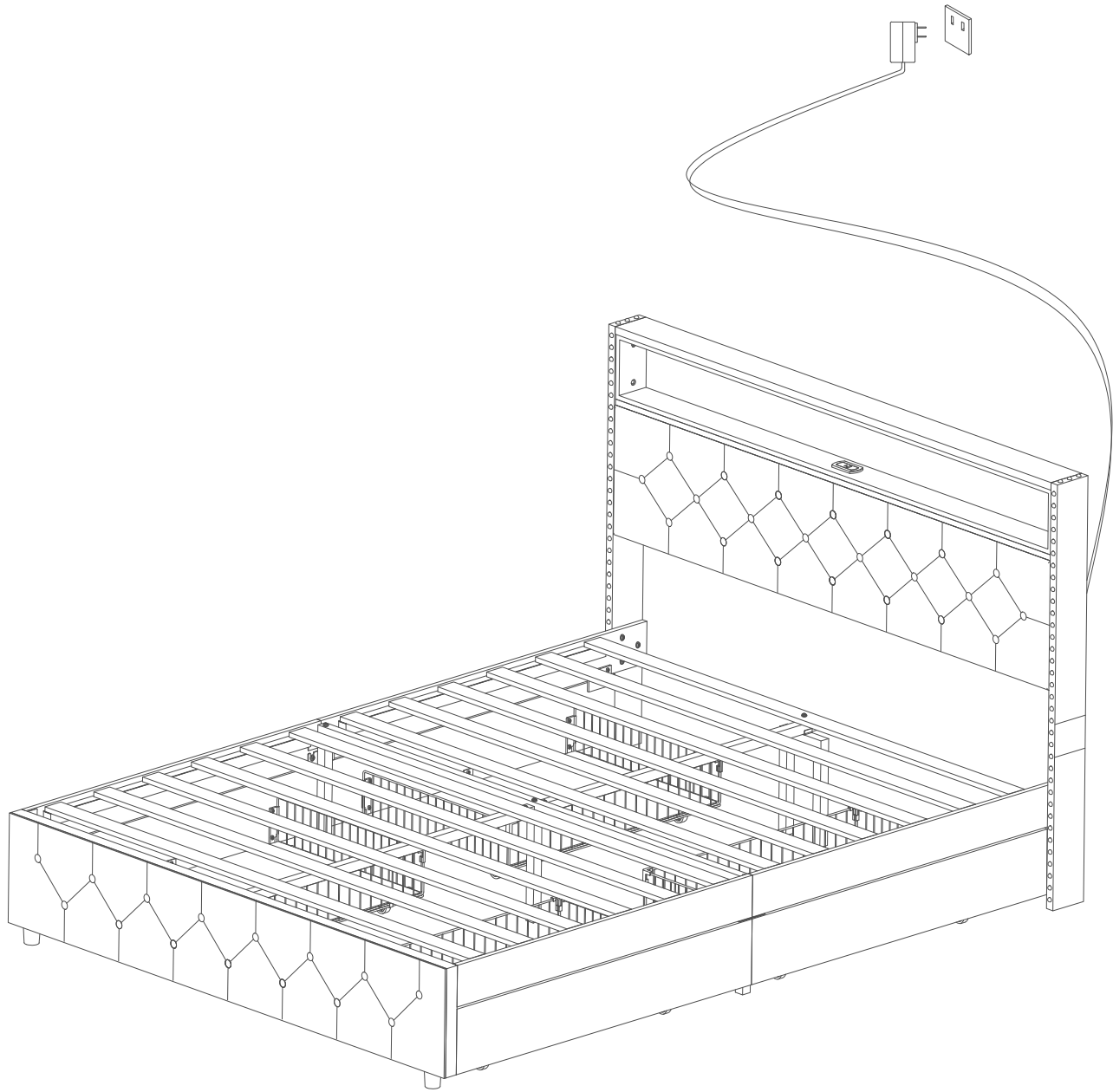


11



12





U

