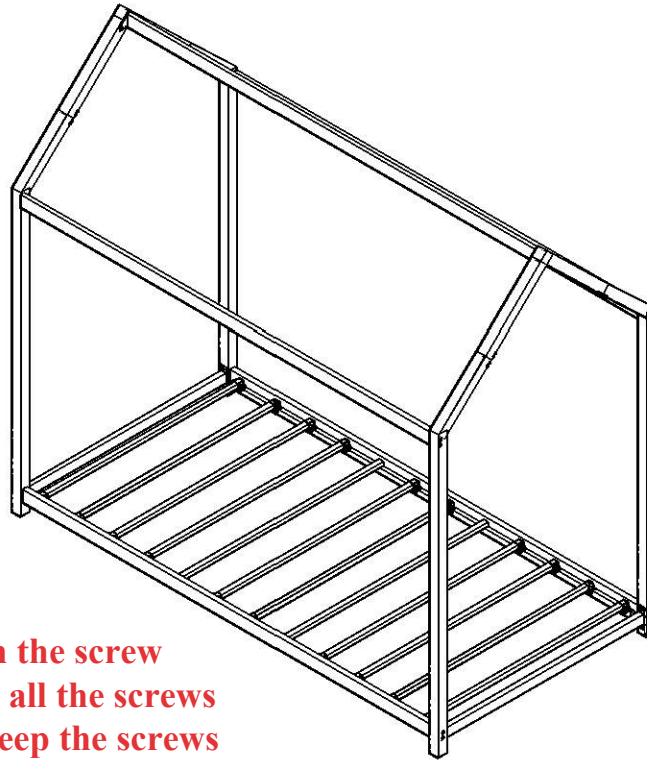


Full House Bed Frame Installation Manual

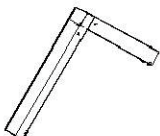
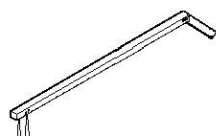
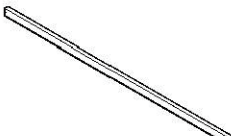
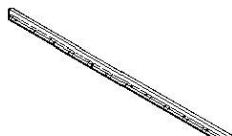

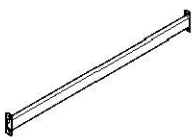
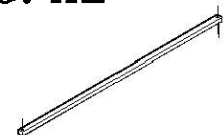
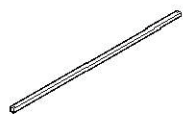
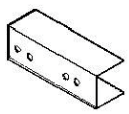
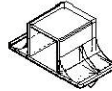

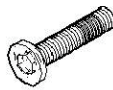

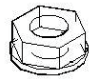


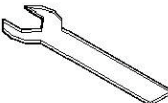
Assemble Require
Two People

#Number System

Easy assembly by following 1,2,3...

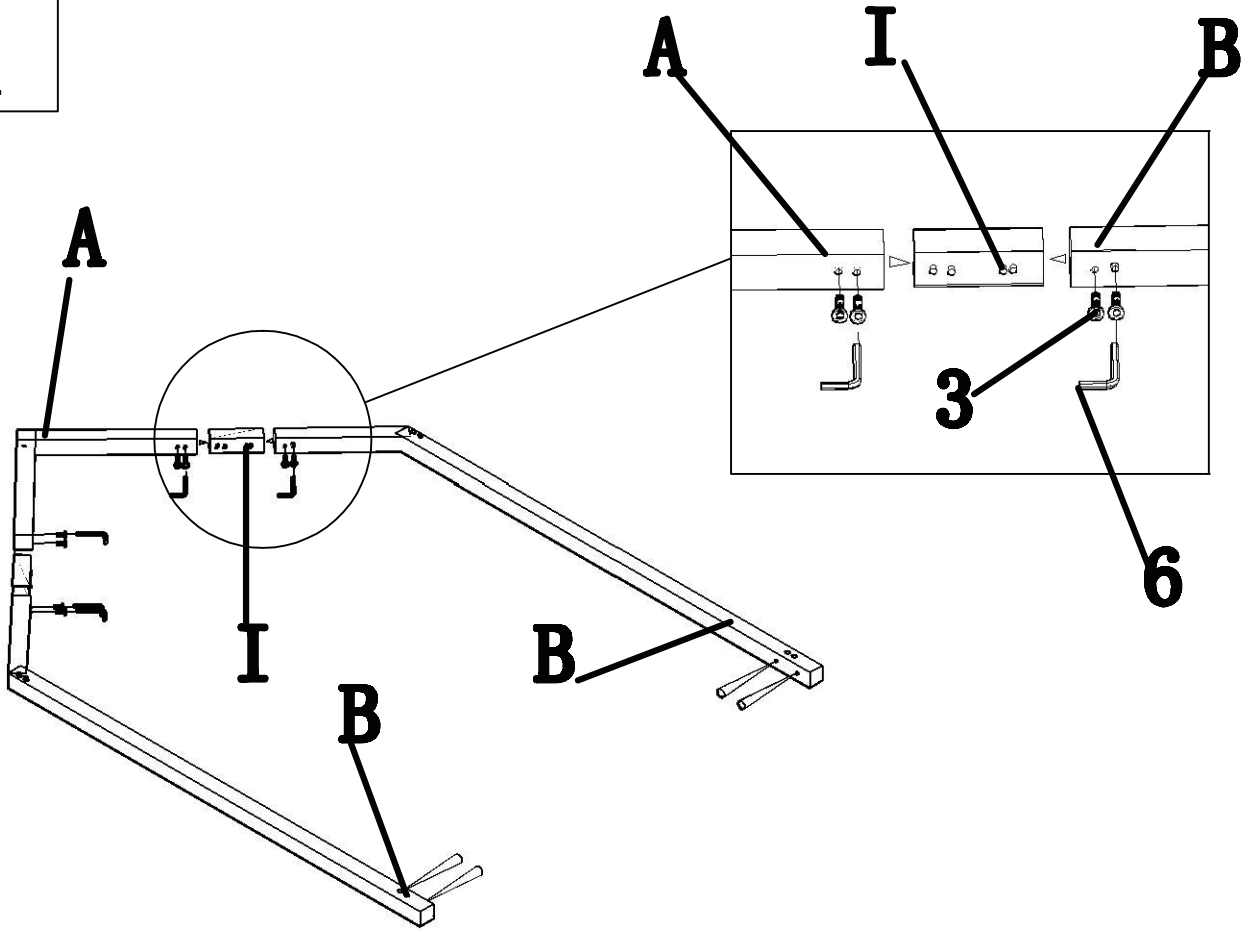


Warning:pls do not fasten the screw tight when assembly.until all the screws put into the screw holes,keep the screws loose during assmble bed

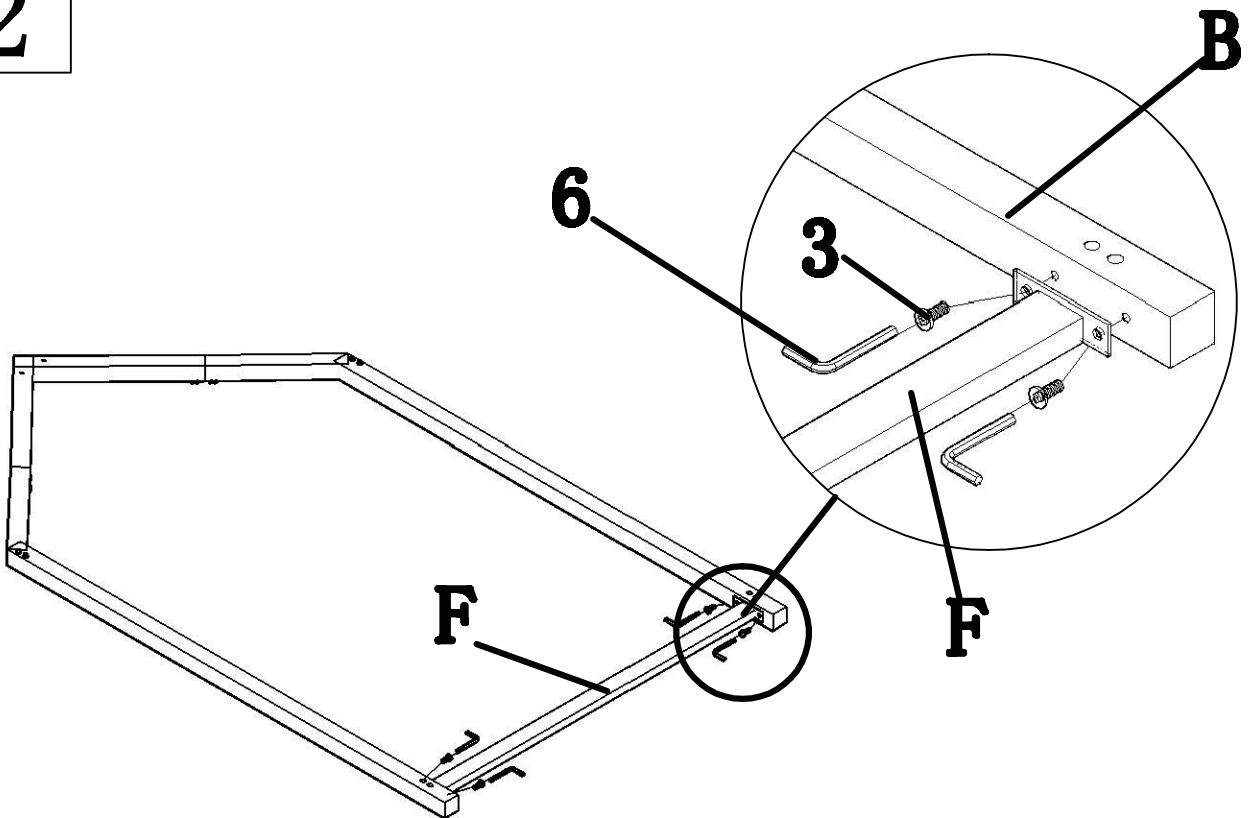
A. x2 	B. x4 	C. x2 	D. x2 	E. x1 
F. x2 	G. x2 	H. x10 	I. x4 	J. x20 
1. M8*50 x16 	2. M6*50 x4 	3. M6*16 x28 	4. M6 x4 	5. M8 x16 
6. 	7. 			

Check all the components & screws before assembly. Do not install in case part is missing

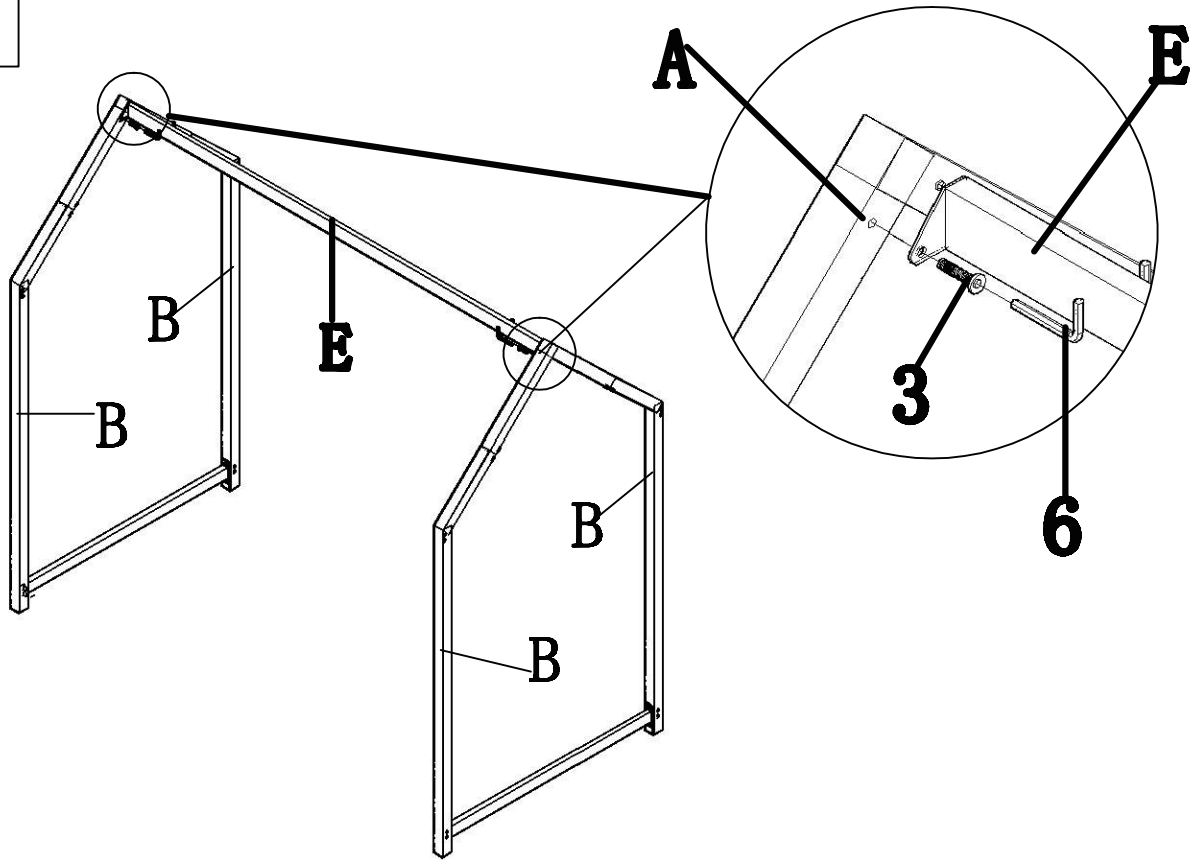
1



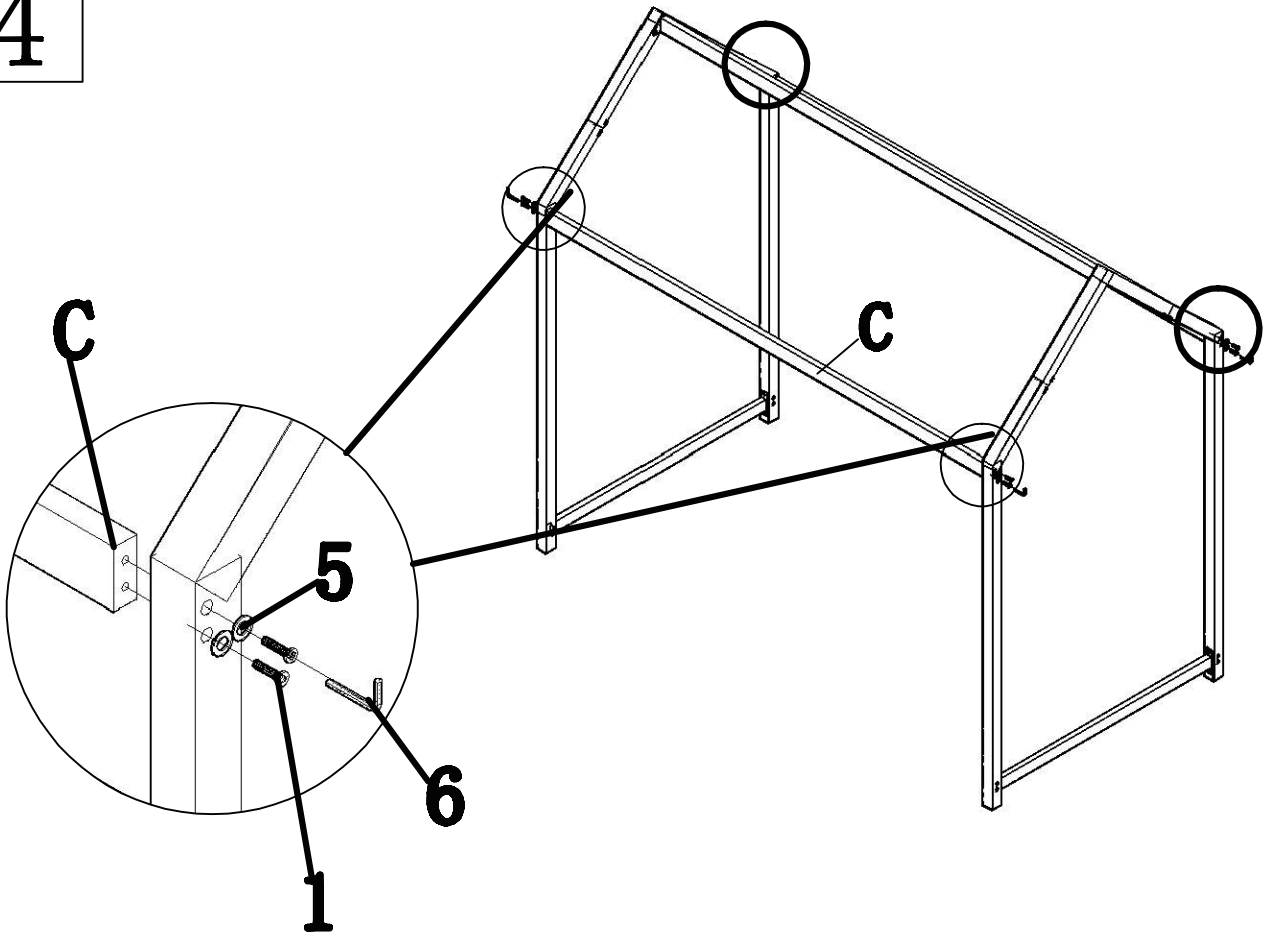
2



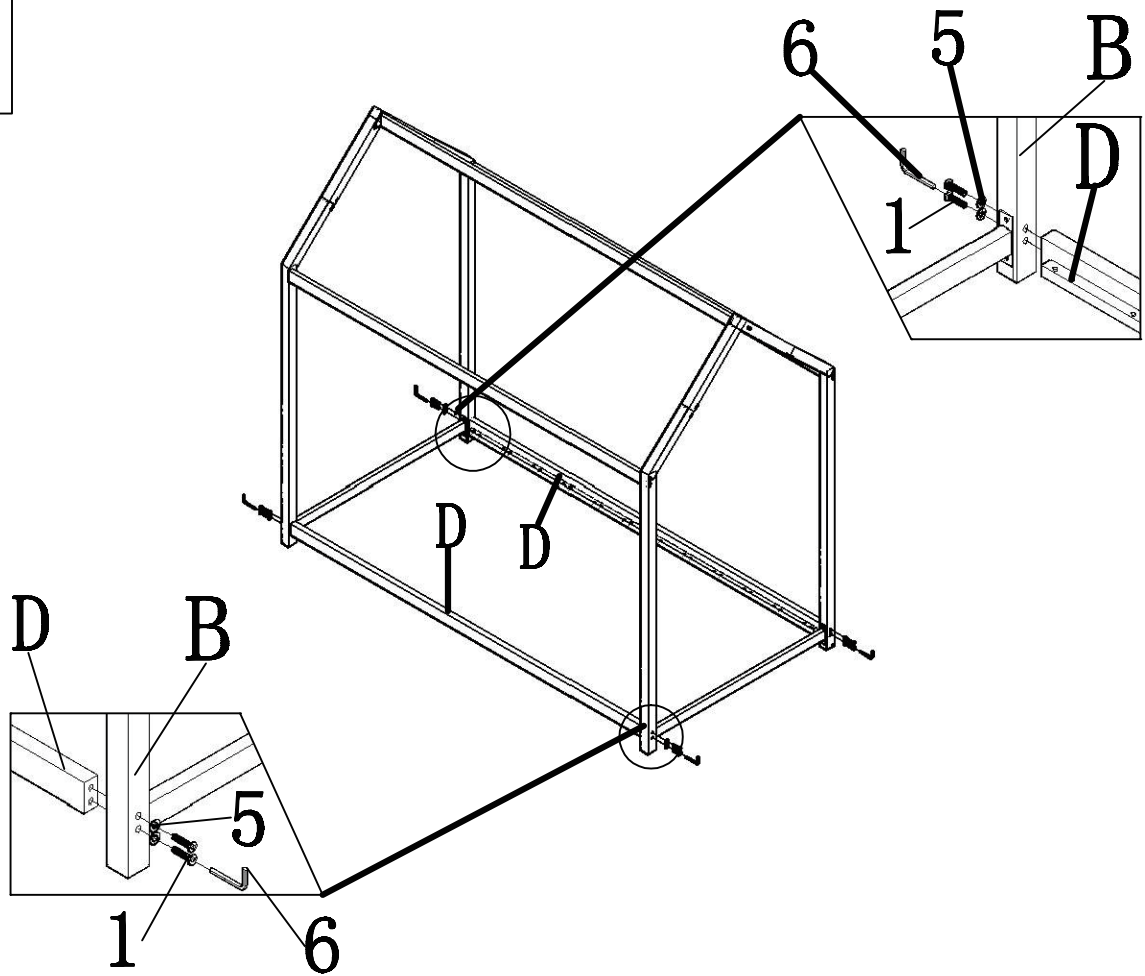
3



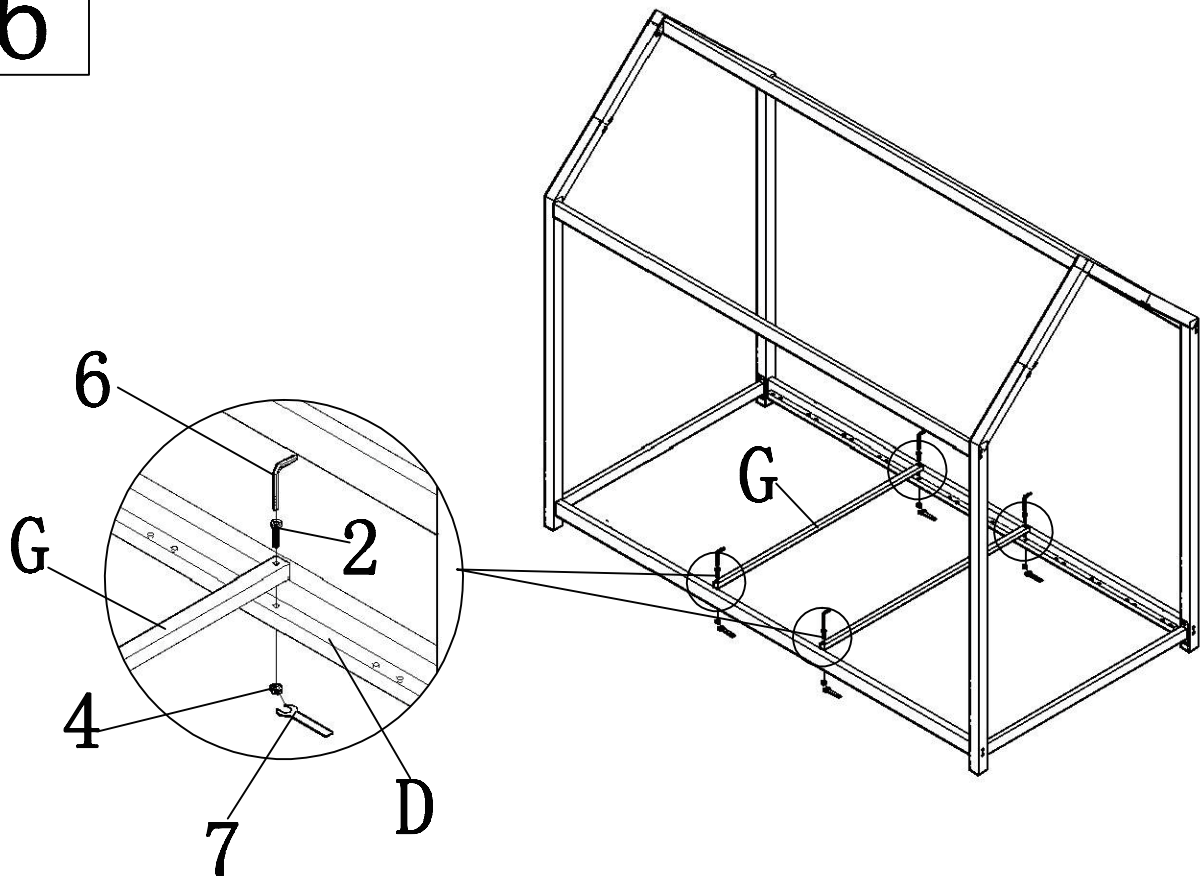
4



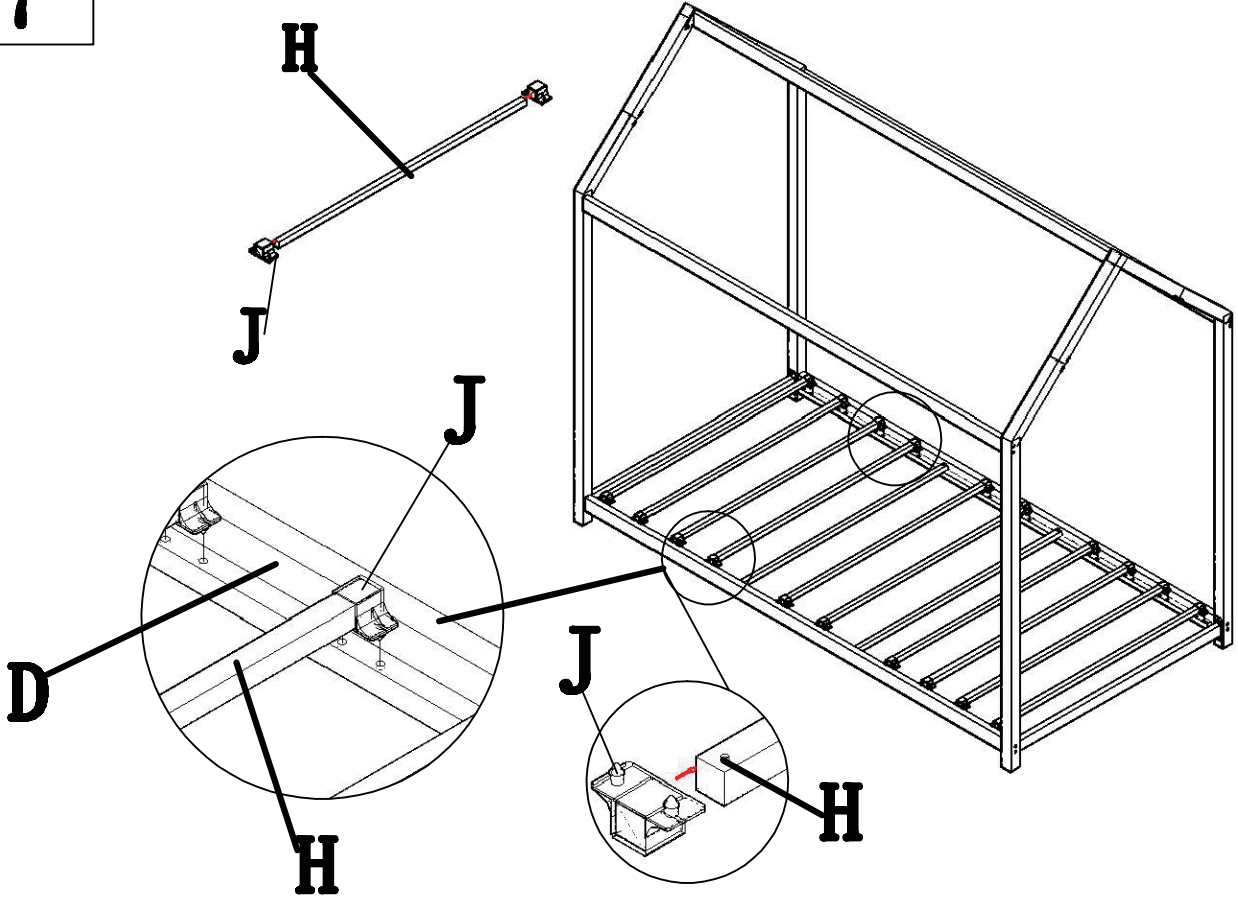
5



6



7



CAUTIONS!

