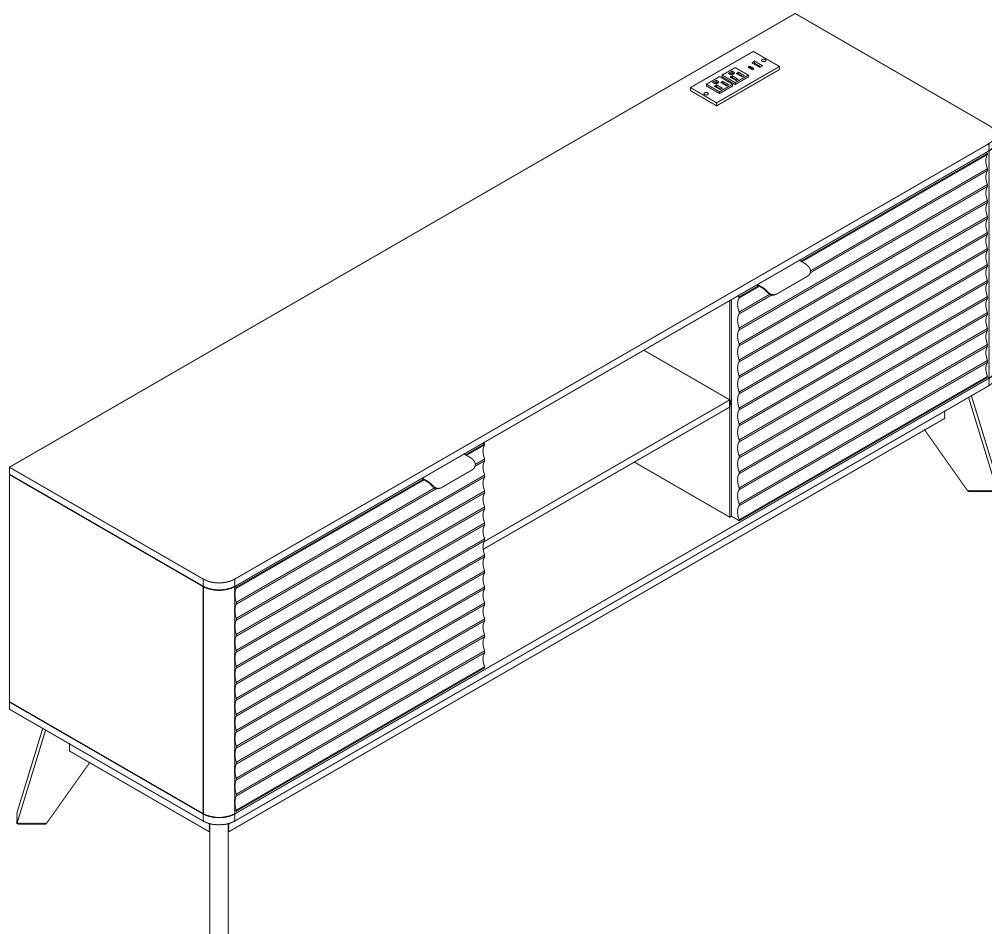
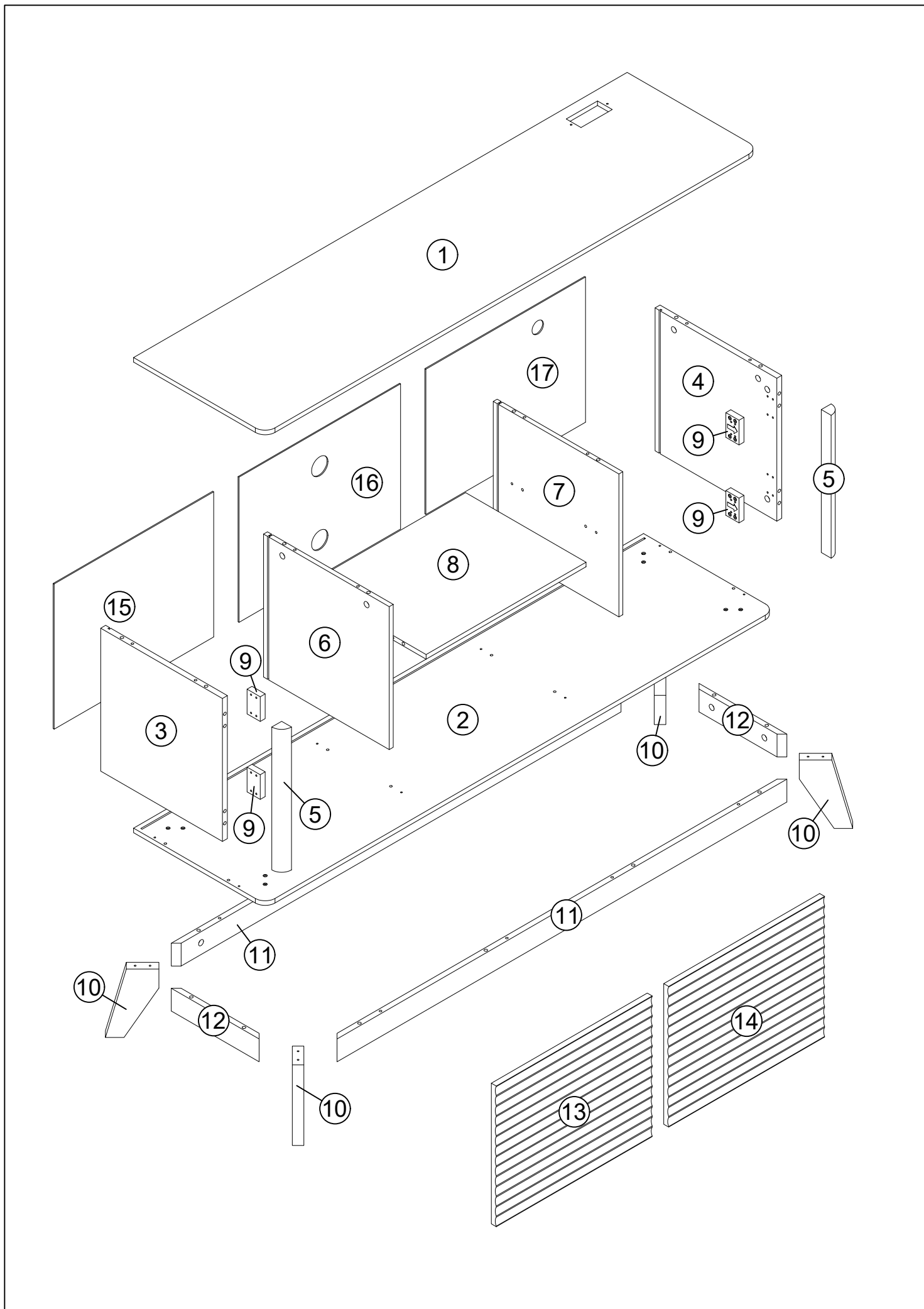


Television Stands

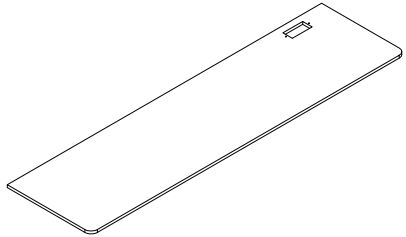
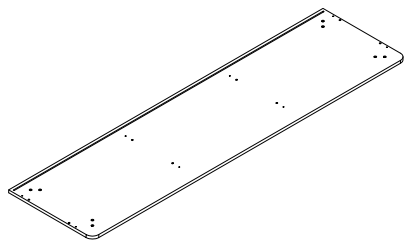
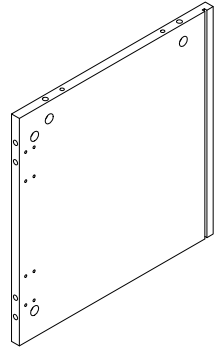
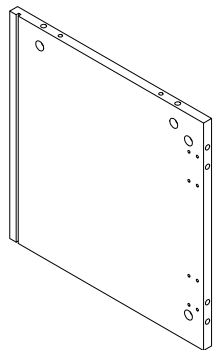

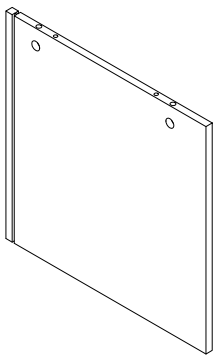
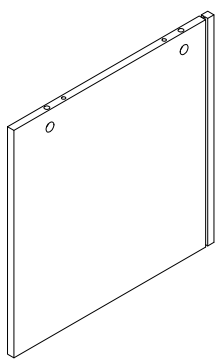
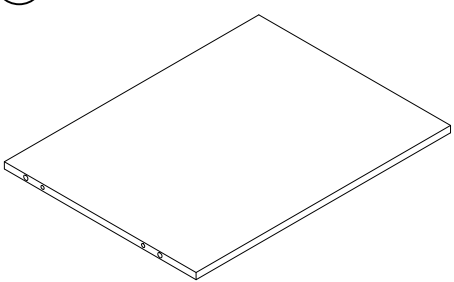
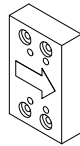
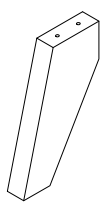
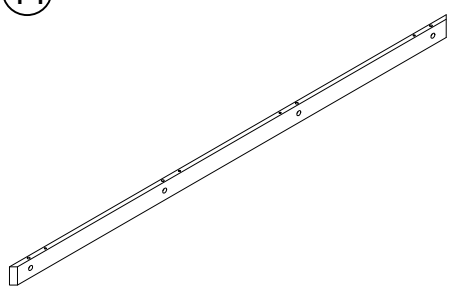
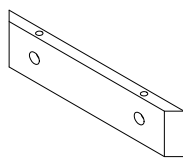
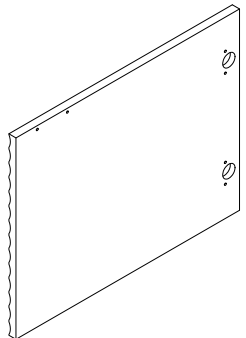
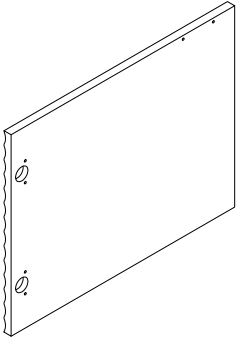
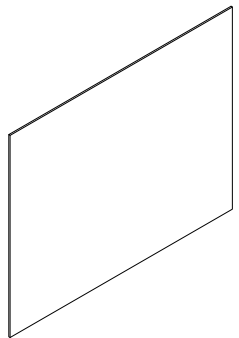
Installation Instructions



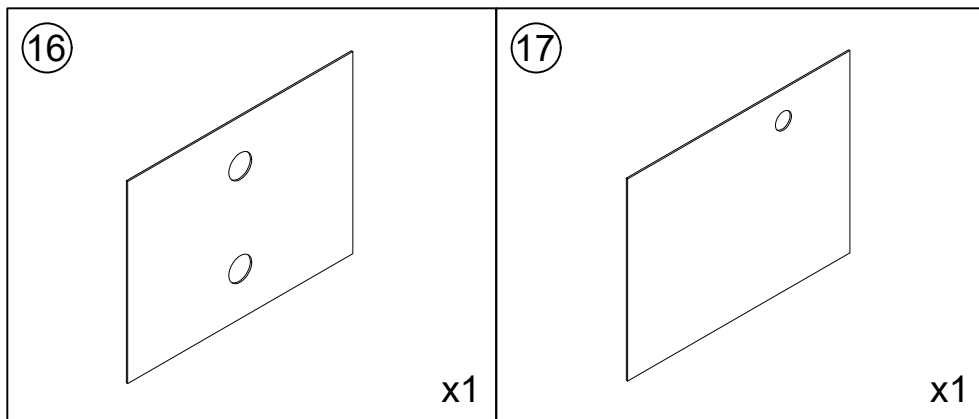
Disassemble Diagram



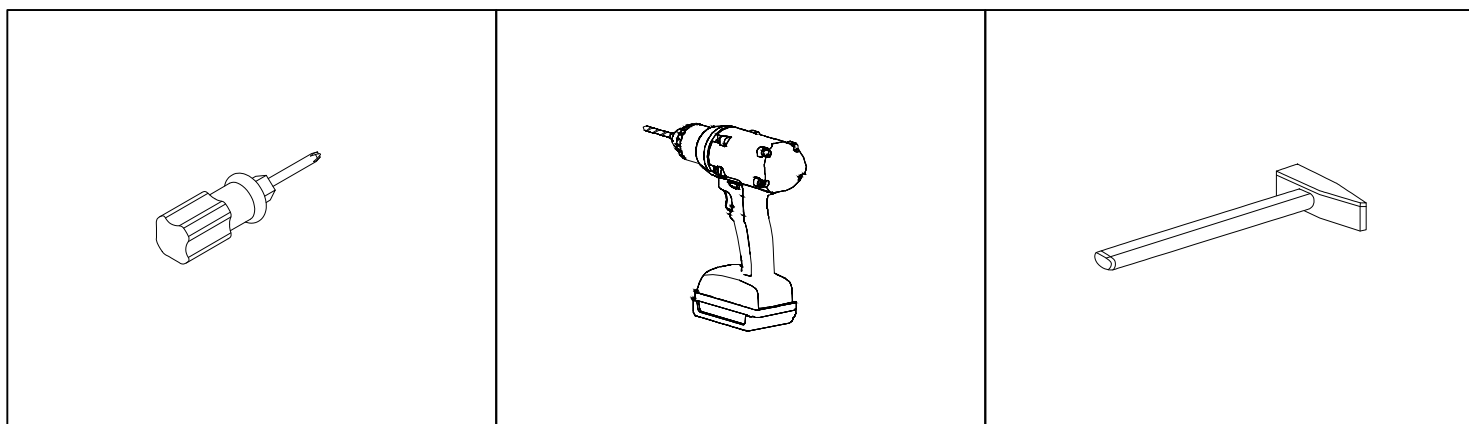
Components Part List

<p>①</p>  <p>x1</p>	<p>②</p>  <p>x1</p>	<p>③</p>  <p>x1</p>
<p>④</p>  <p>x1</p>	<p>⑤</p>  <p>x2</p>	<p>⑥</p>  <p>x1</p>
<p>⑦</p>  <p>x1</p>	<p>⑧</p>  <p>x1</p>	<p>⑨</p>  <p>x4</p>
<p>⑩</p>  <p>x4</p>	<p>⑪</p>  <p>x2</p>	<p>⑫</p>  <p>x2</p>
<p>⑬</p>  <p>x1</p>	<p>⑭</p>  <p>x1</p>	<p>⑮</p>  <p>x1</p>

Components Part List



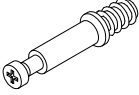

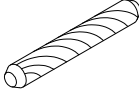
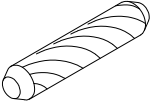
Installation Recommendations

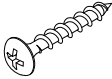
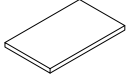
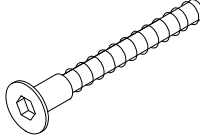
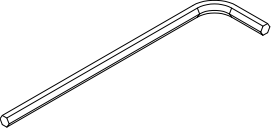


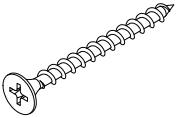
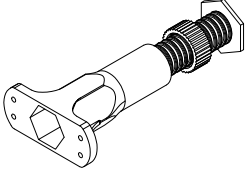
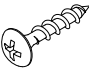

Note:

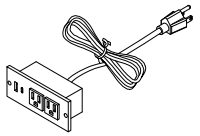
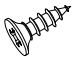
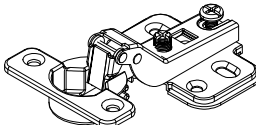

- 1.Recommend using tools such as a screwdriver, electric drill, and small hammer for the installation.
- 2.Recommend that two people collaborate to complete the installation.

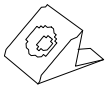
Hardware Part List

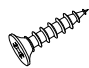
A	x28+2	B	x28+2	C	x28+2	D	x4
							
M6x35mm		M15x10mm		M6x30mm		M8x30mm	

E	x16+1	F	x4	G	x8+1	H	x1
							
M4x25mm				M7x45mm			

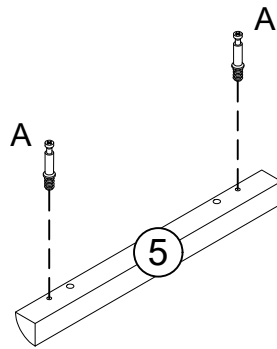
I	x8+1	J	x2	K	x8+1	L	x20+2
							
M4x40mm				M4x16mm			

M	x1	N	x2	O	x4	P	x24+2
							
		M3.5x12mm				M4x14mm	

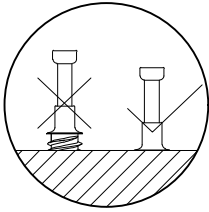
Q	x2	R	x4	S	x2	T	x12+1
							
		M3x12mm					

U	x12+1
	
M3x16mm	

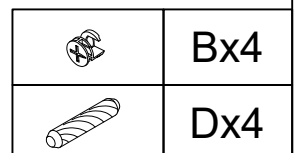
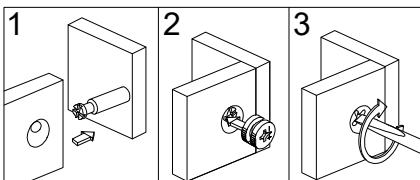
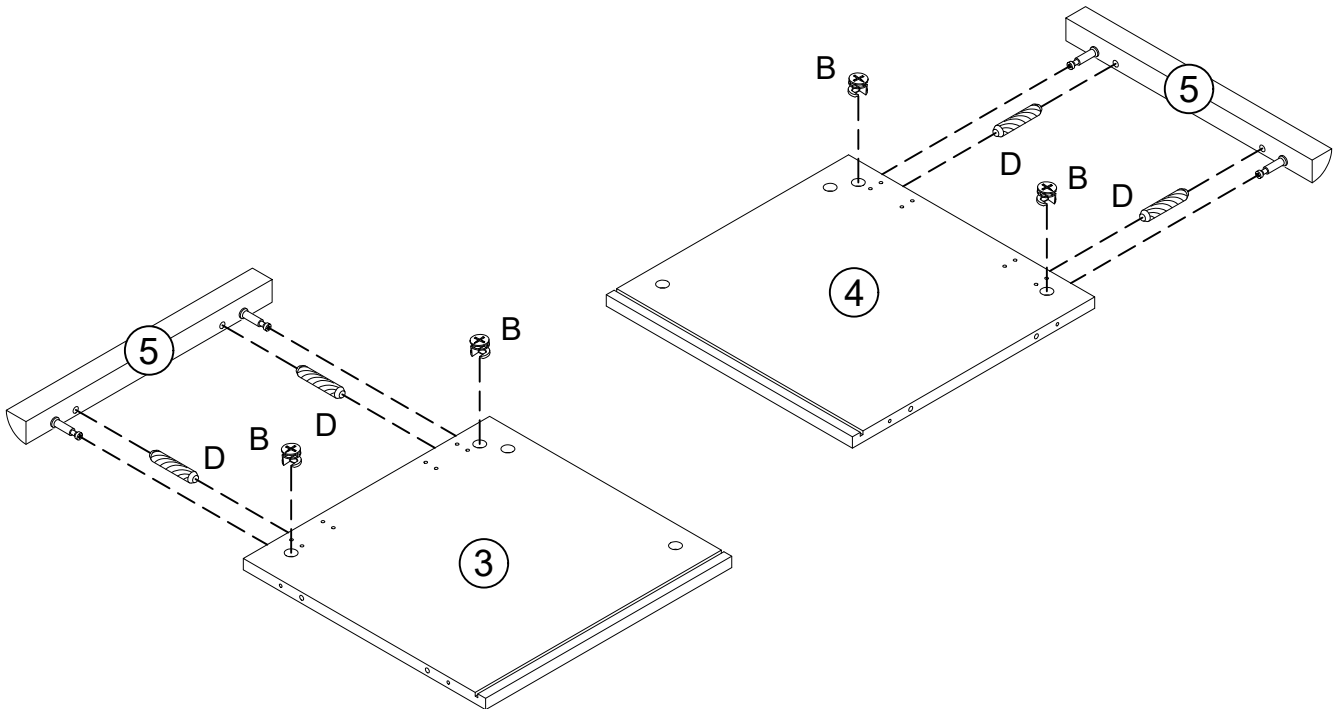
STEP 1



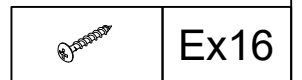
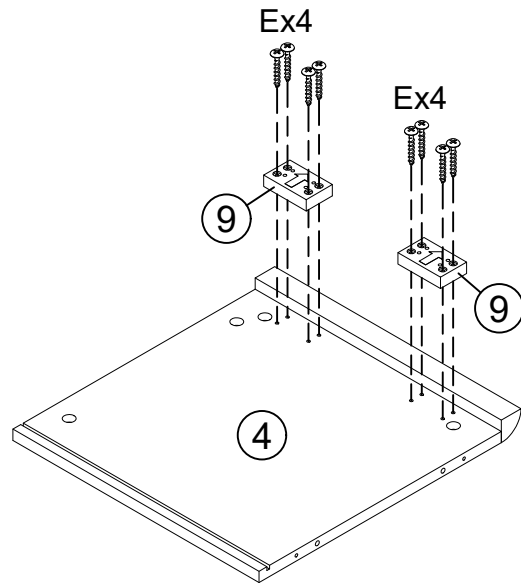
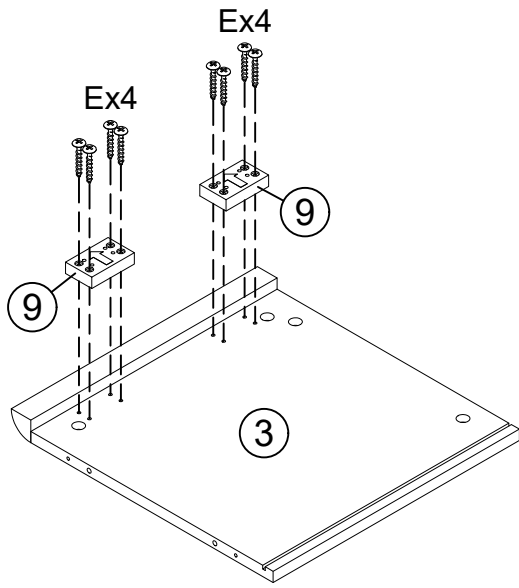
x2



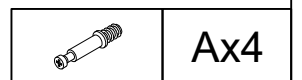
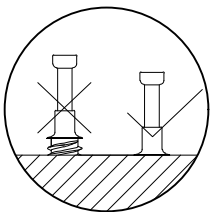
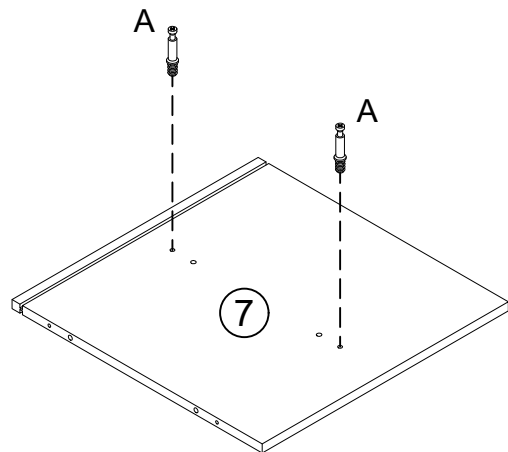
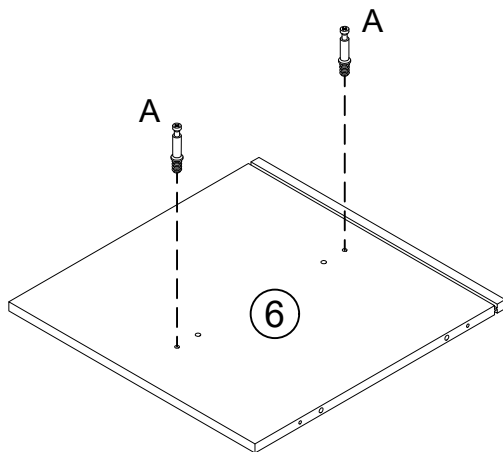
STEP 2



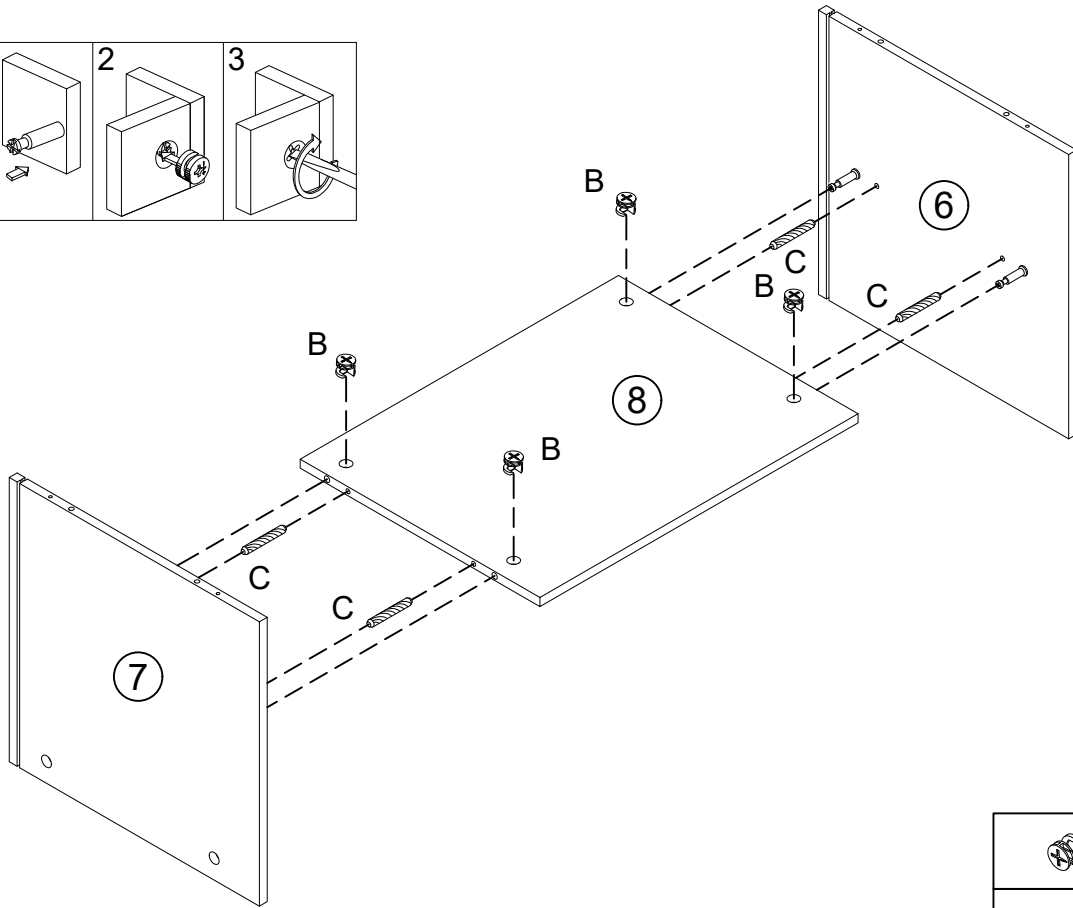
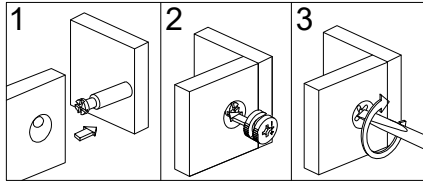
STEP 3





STEP 4

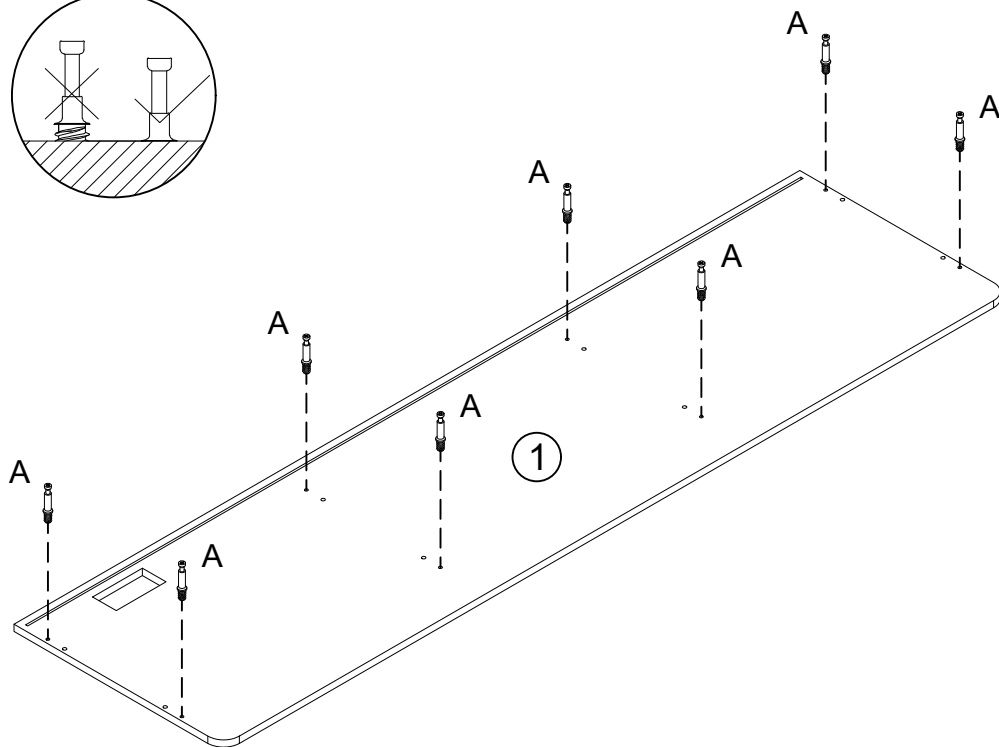
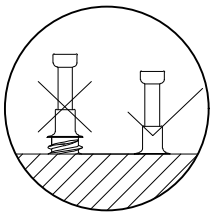


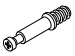
STEP 5



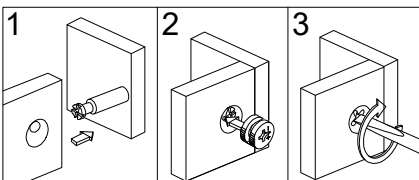
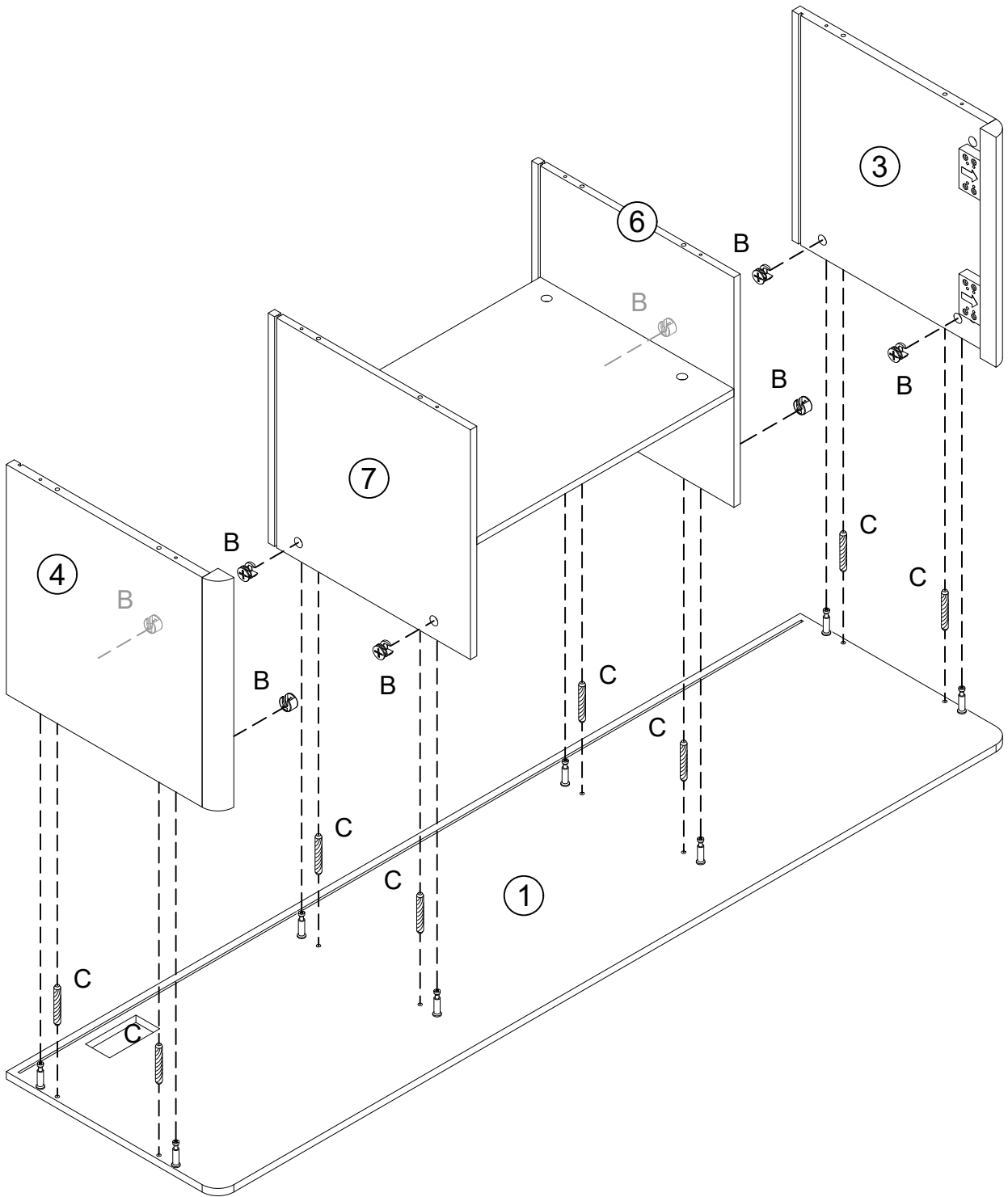
	Bx4
	Cx4



STEP 6



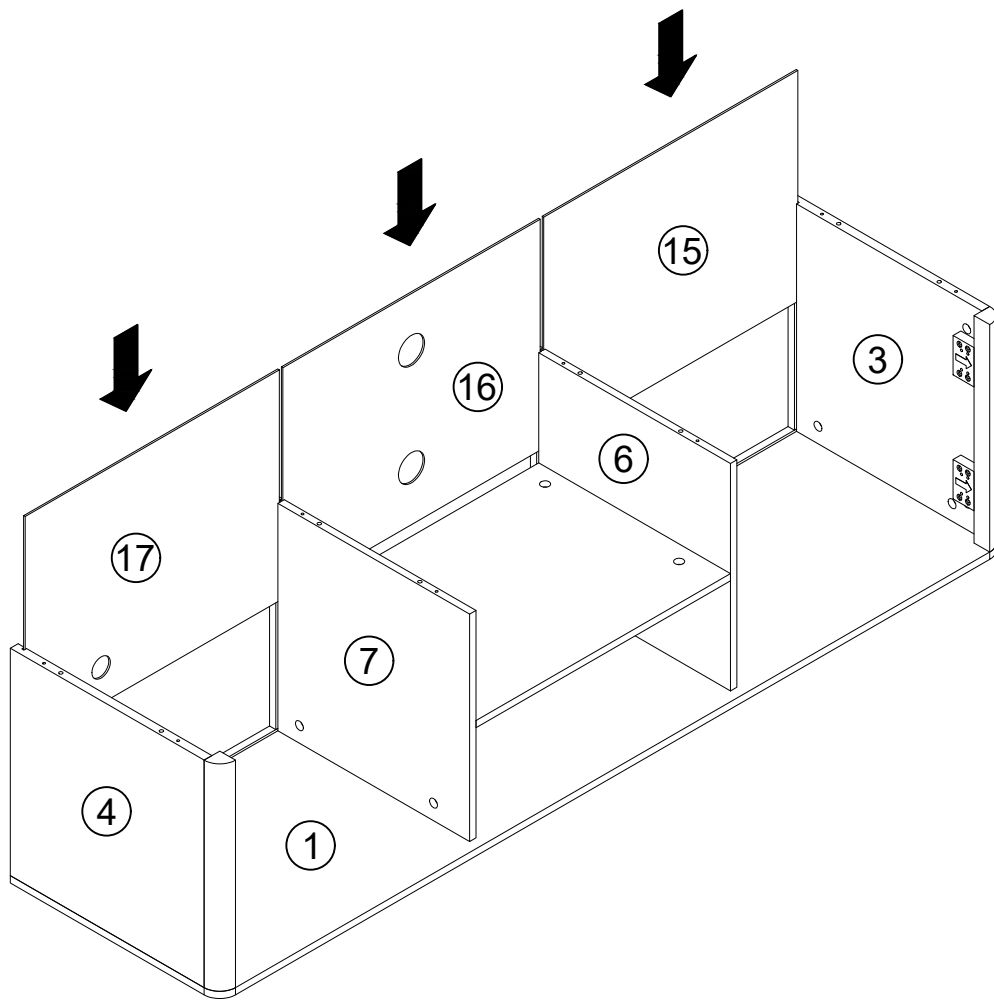
	Ax8
---	-----

STEP 7

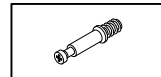
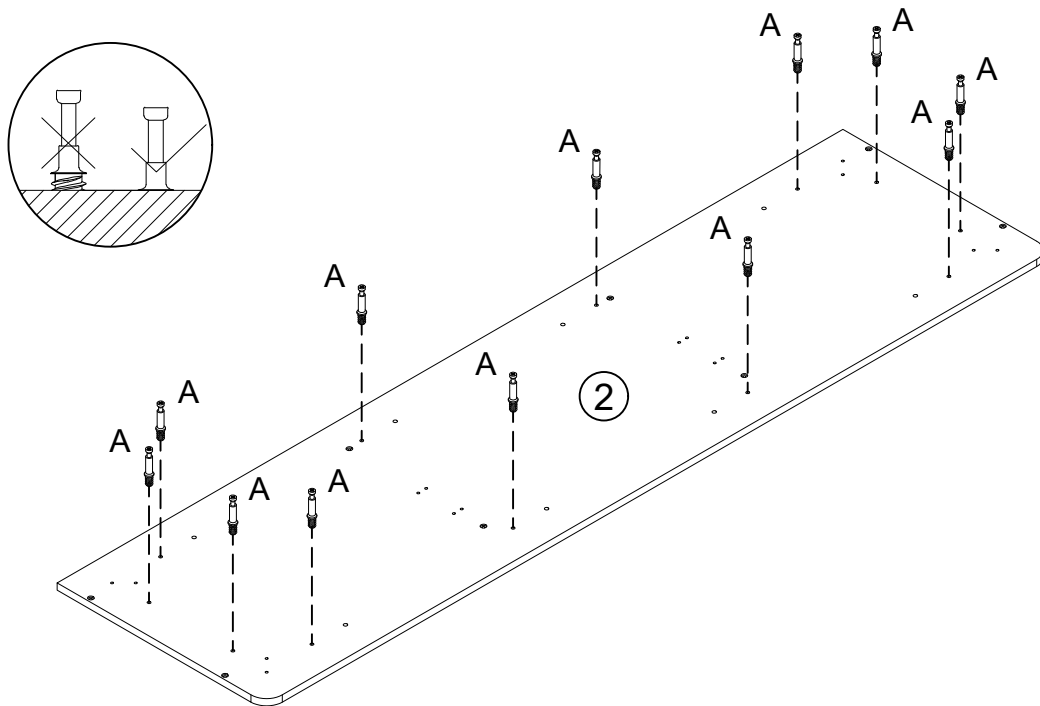


	Bx8
	Cx8

STEP 8

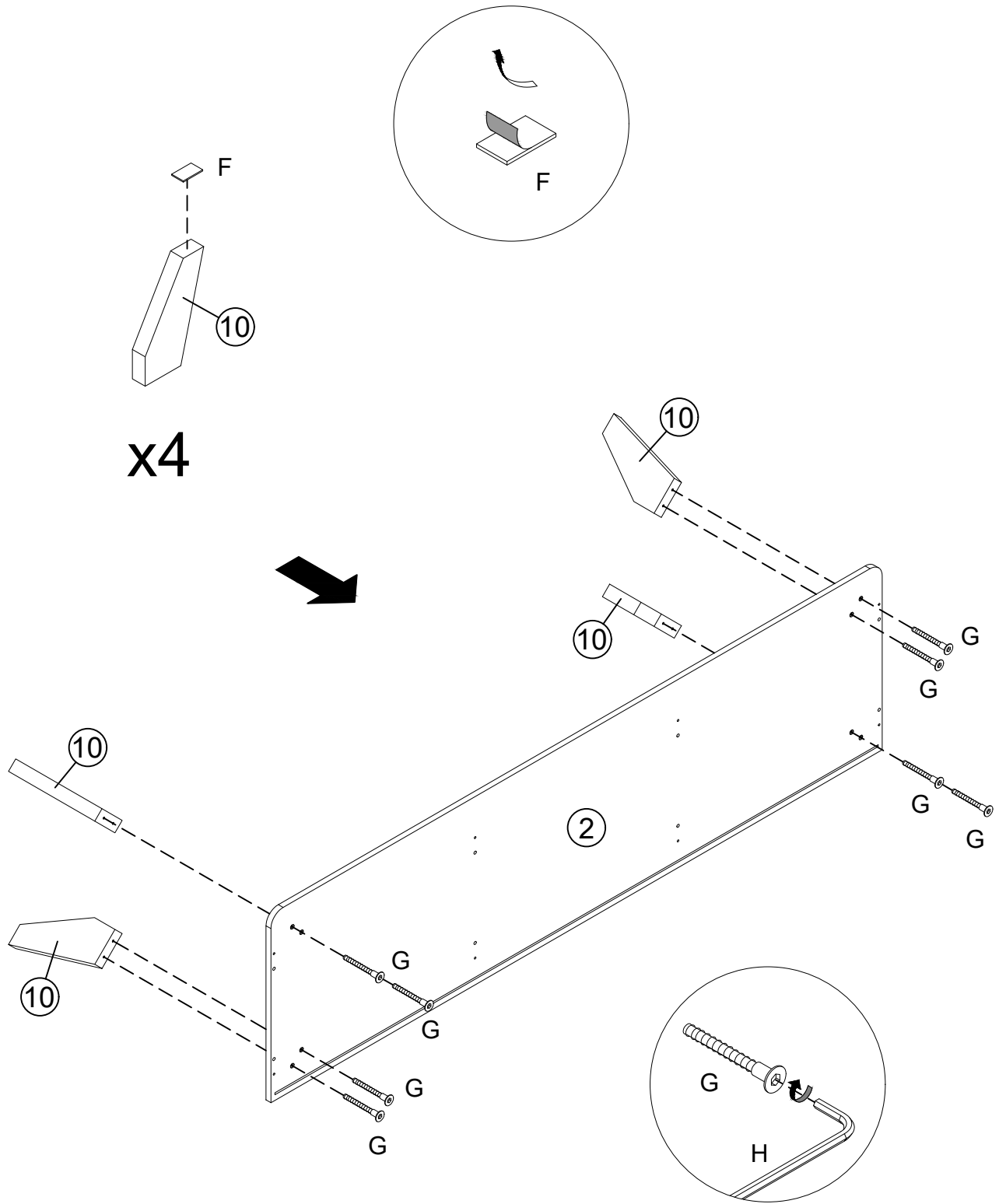


STEP 9



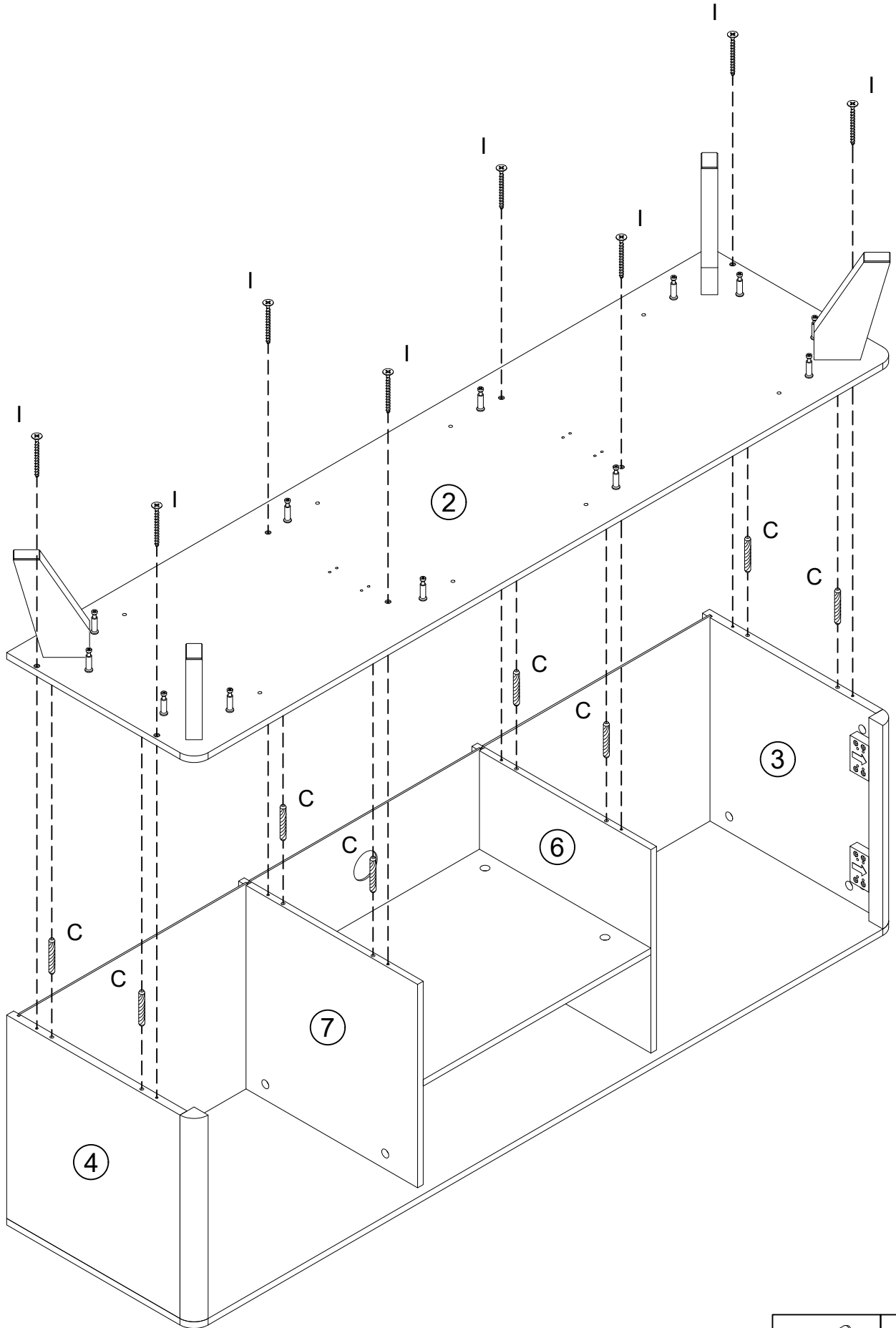
Ax12



STEP 10



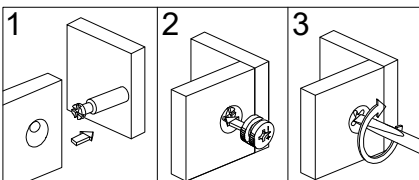
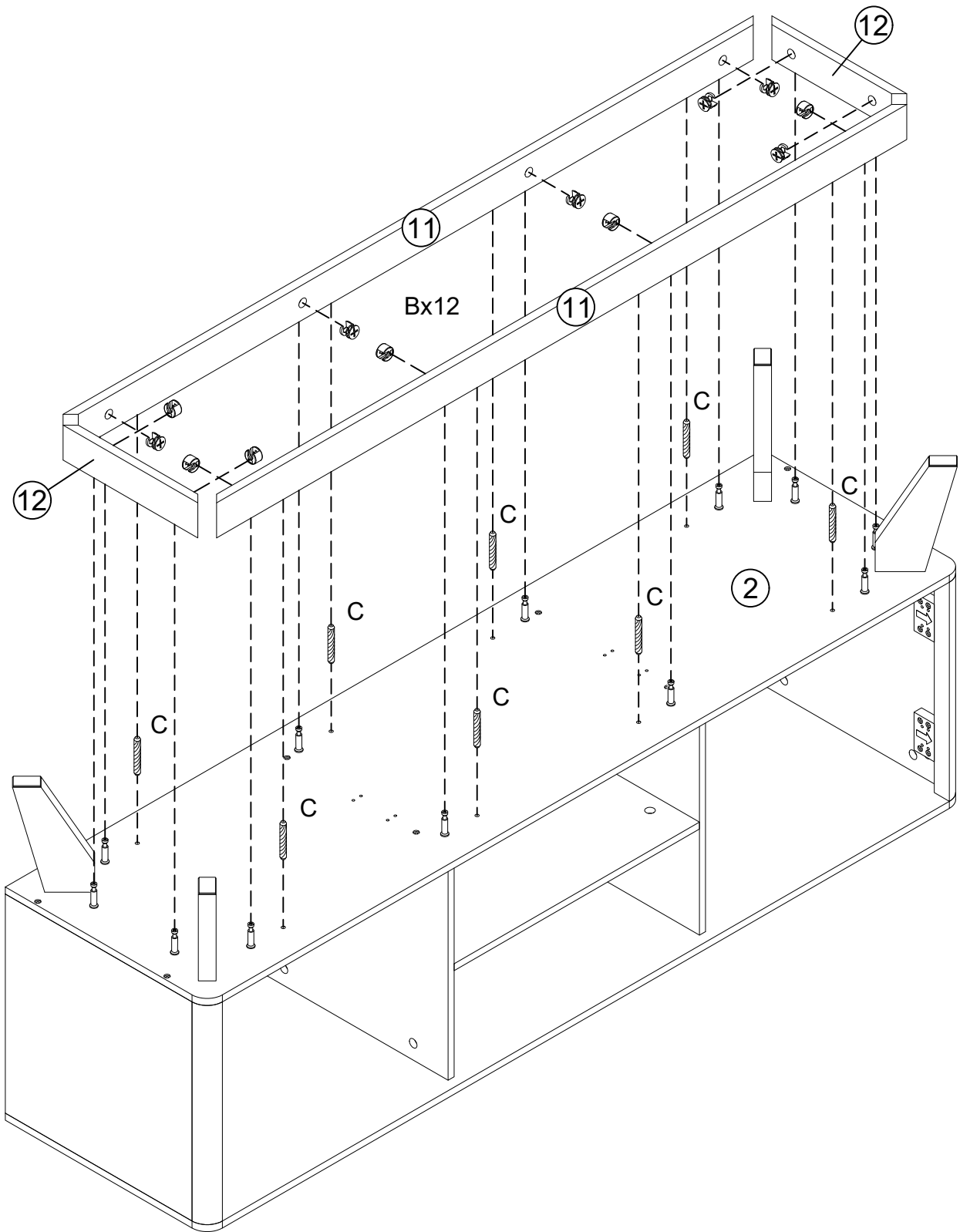
	Fx4
	Gx8
	Hx1



STEP 11



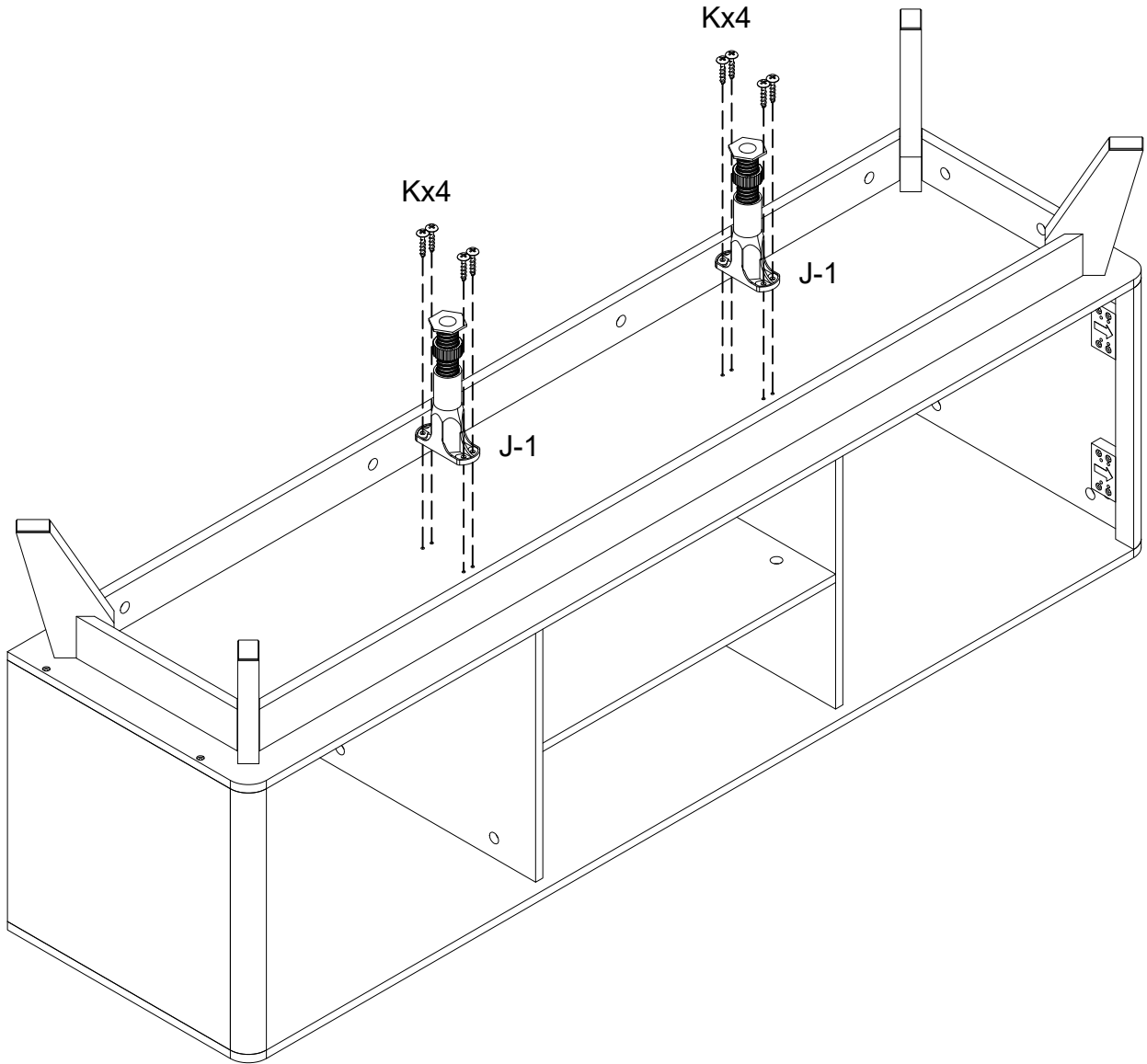
	Cx8
	Ix8

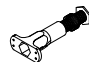

STEP 12



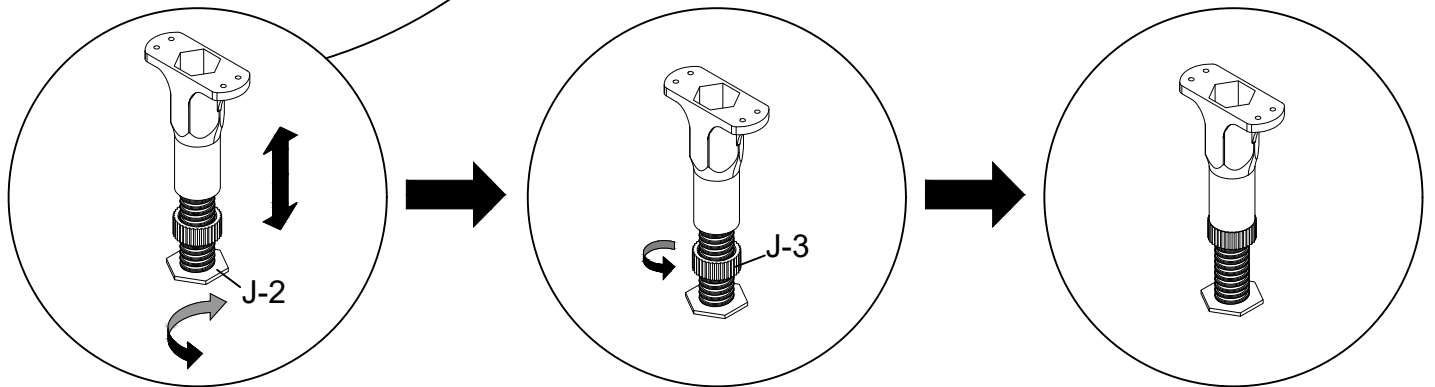
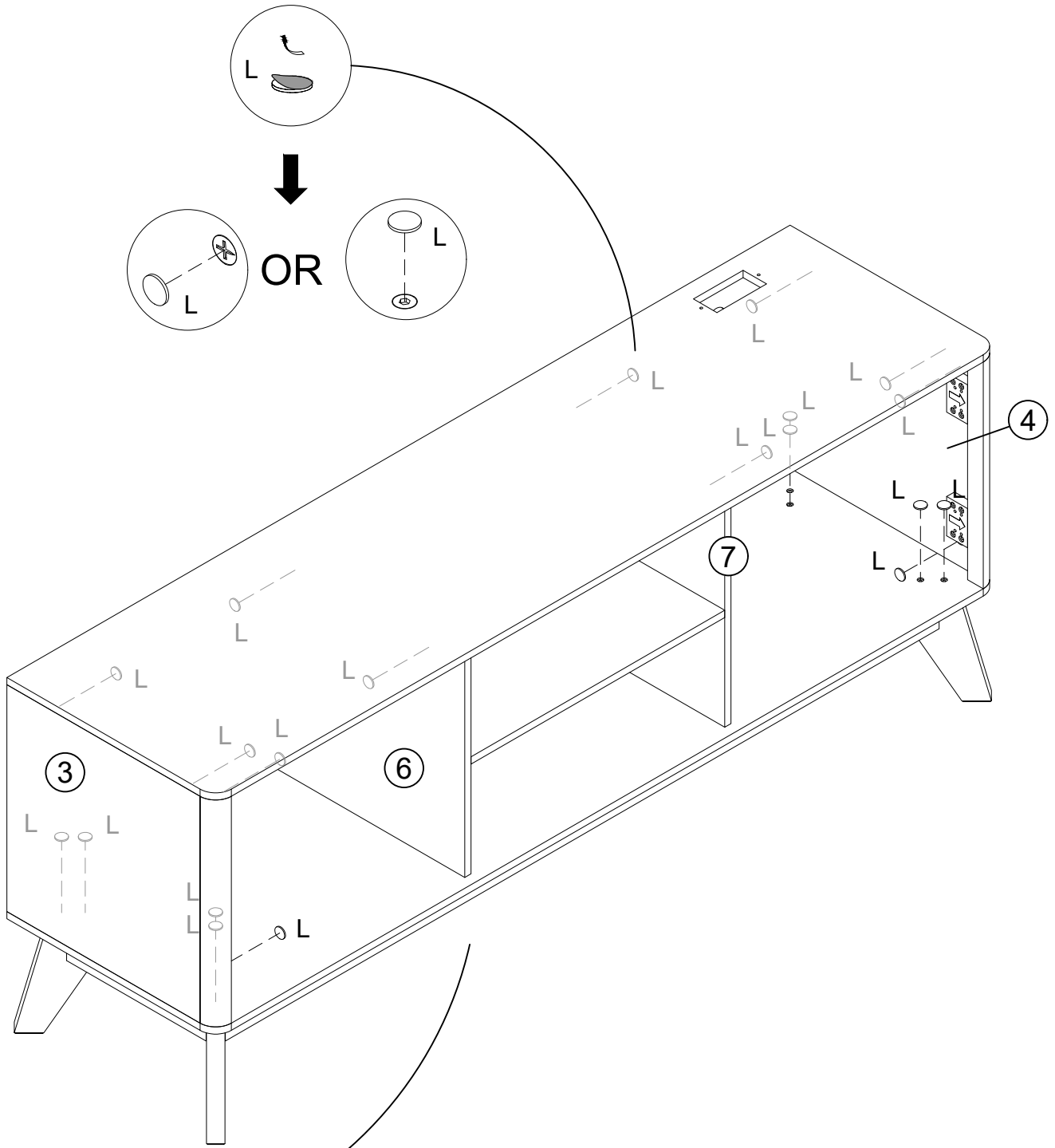
	Bx12
	Cx8

STEP 13



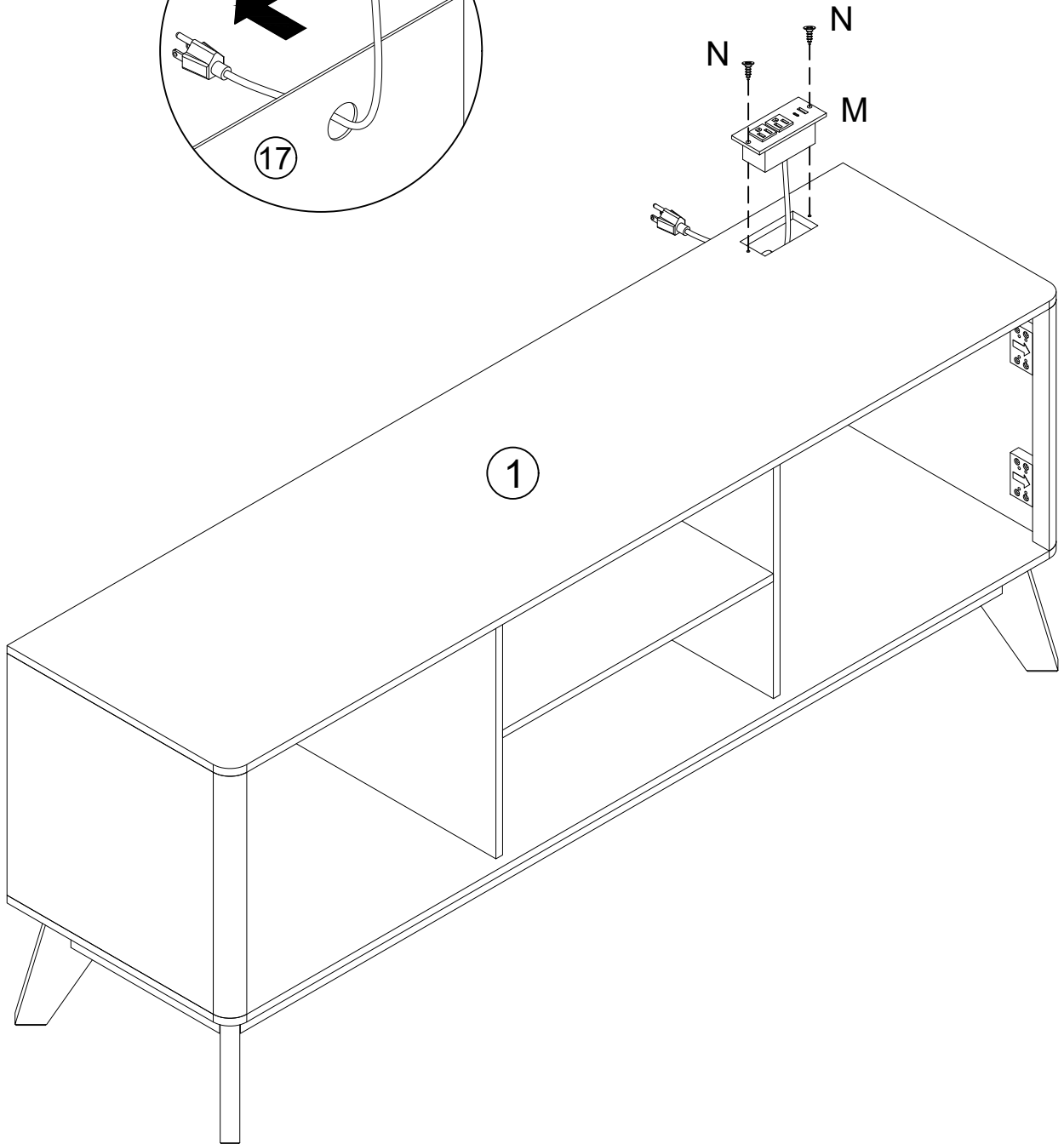
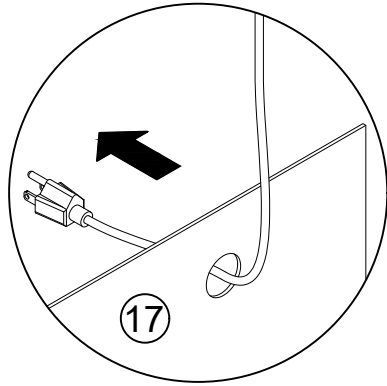
	Jx2
	Kx8

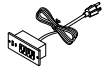

STEP 14



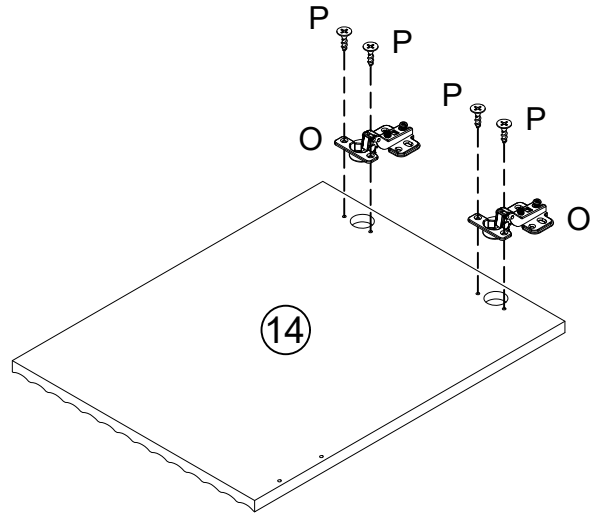
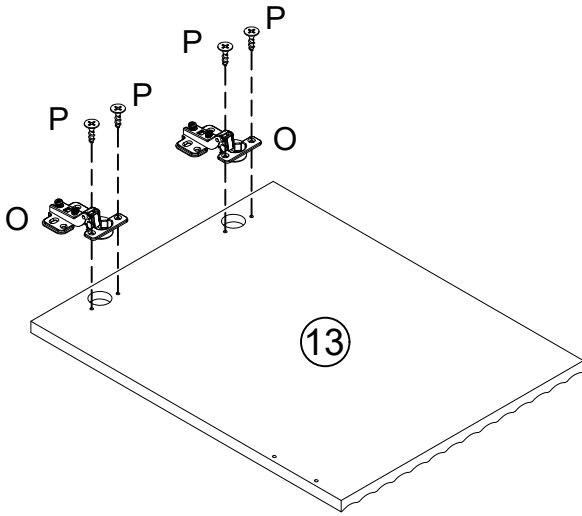
	Lx20
--	------



STEP 15



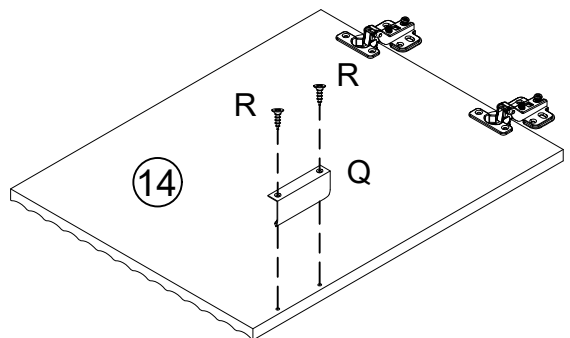
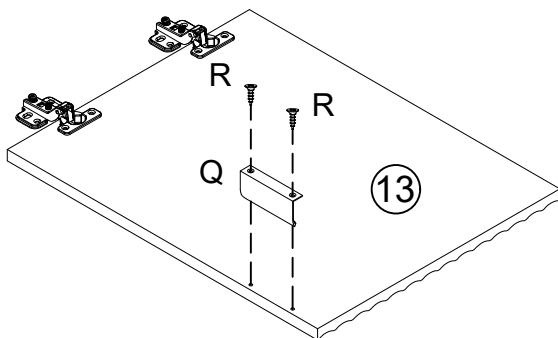
	Mx1
	Nx2

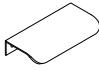

STEP 16



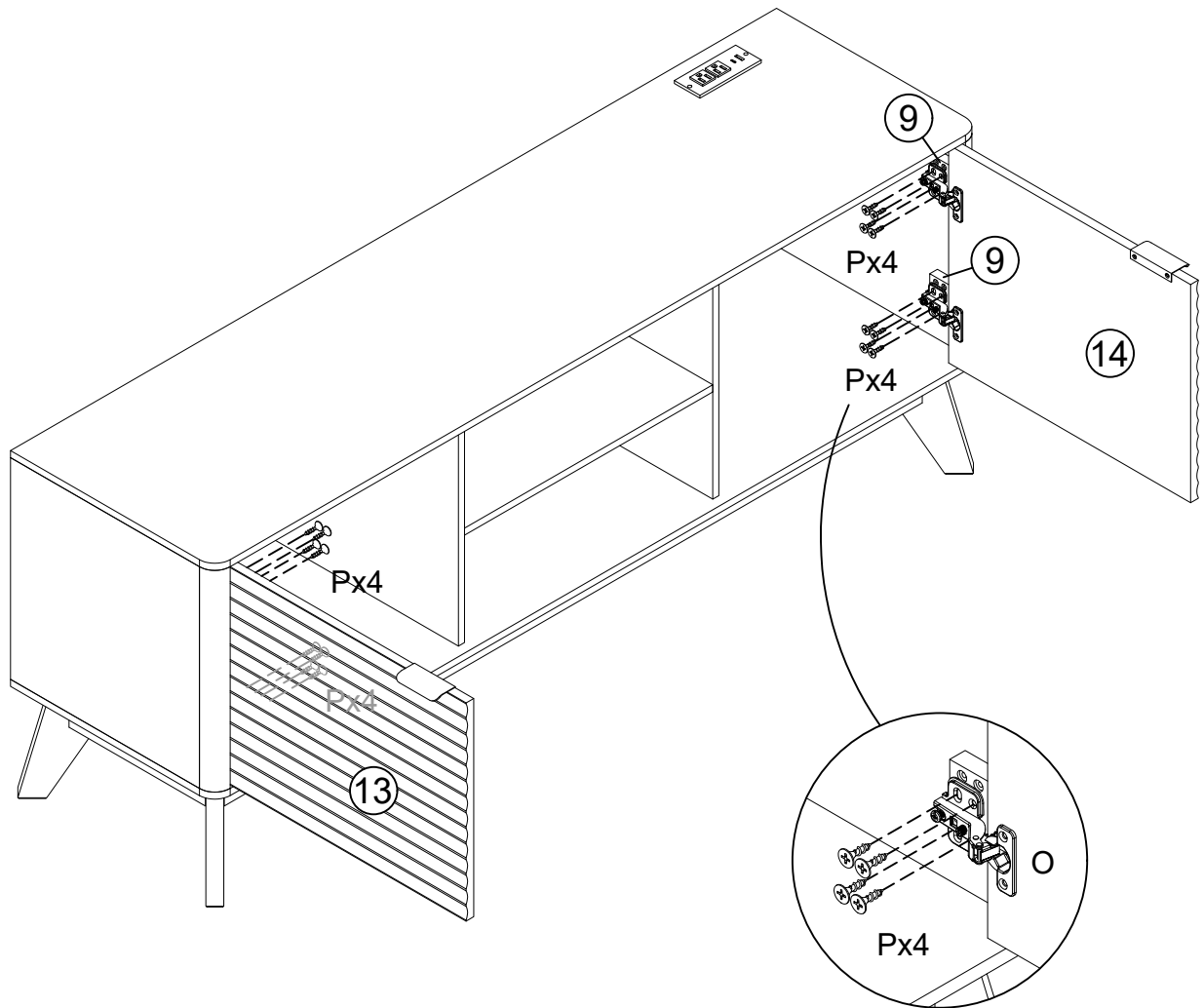
	Ox4
	Px8

STEP 17



	Qx2
	Rx4

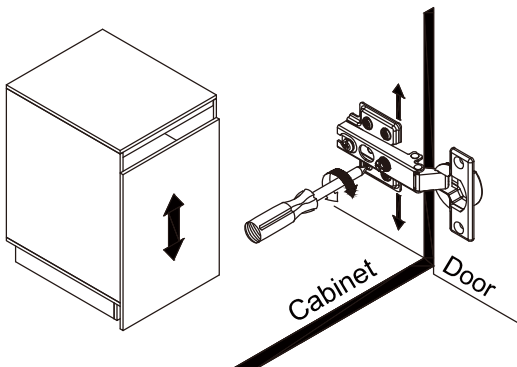
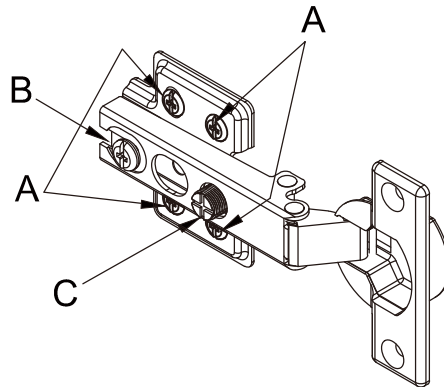
STEP 18



Px16

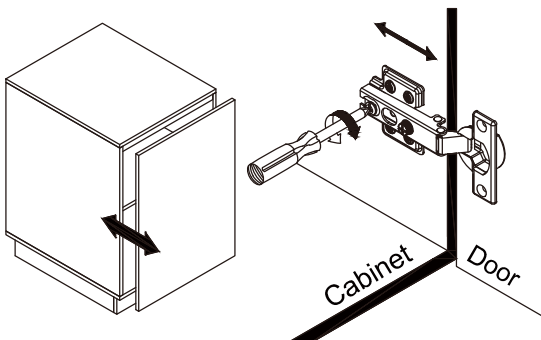


1. First adjust the hinges to ensure the door panel gaps are evenly spaced before fitting the back panel clips.
2. Should hinge adjustment prove difficult, please refer to the installation video via the provided link.



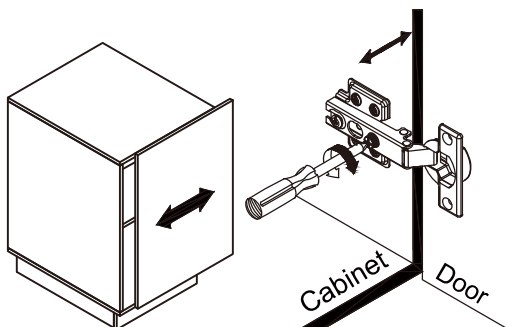
To adjust the vertical height.

Loosen the four screws "A" on both hinges. Two of them are usually in slotted holes which allows you to adjust up or down by a few mm. Then tighten back up.



To adjust depth.

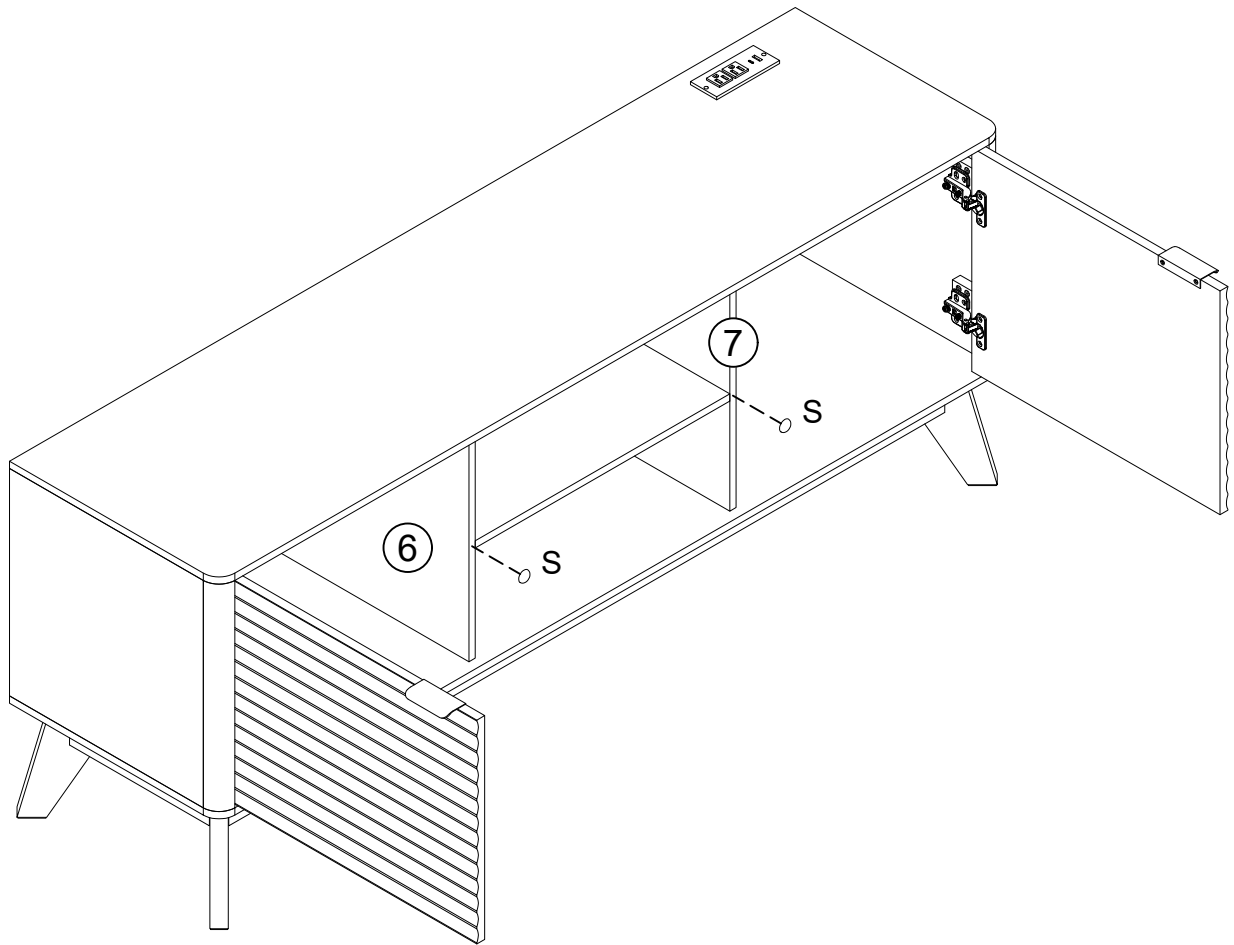
Loosen screw "B" and adjust door, if the door can not be adjusted, please loosen screw "C", then try again. Tighten screw "B" and "C".



To adjust side ways.

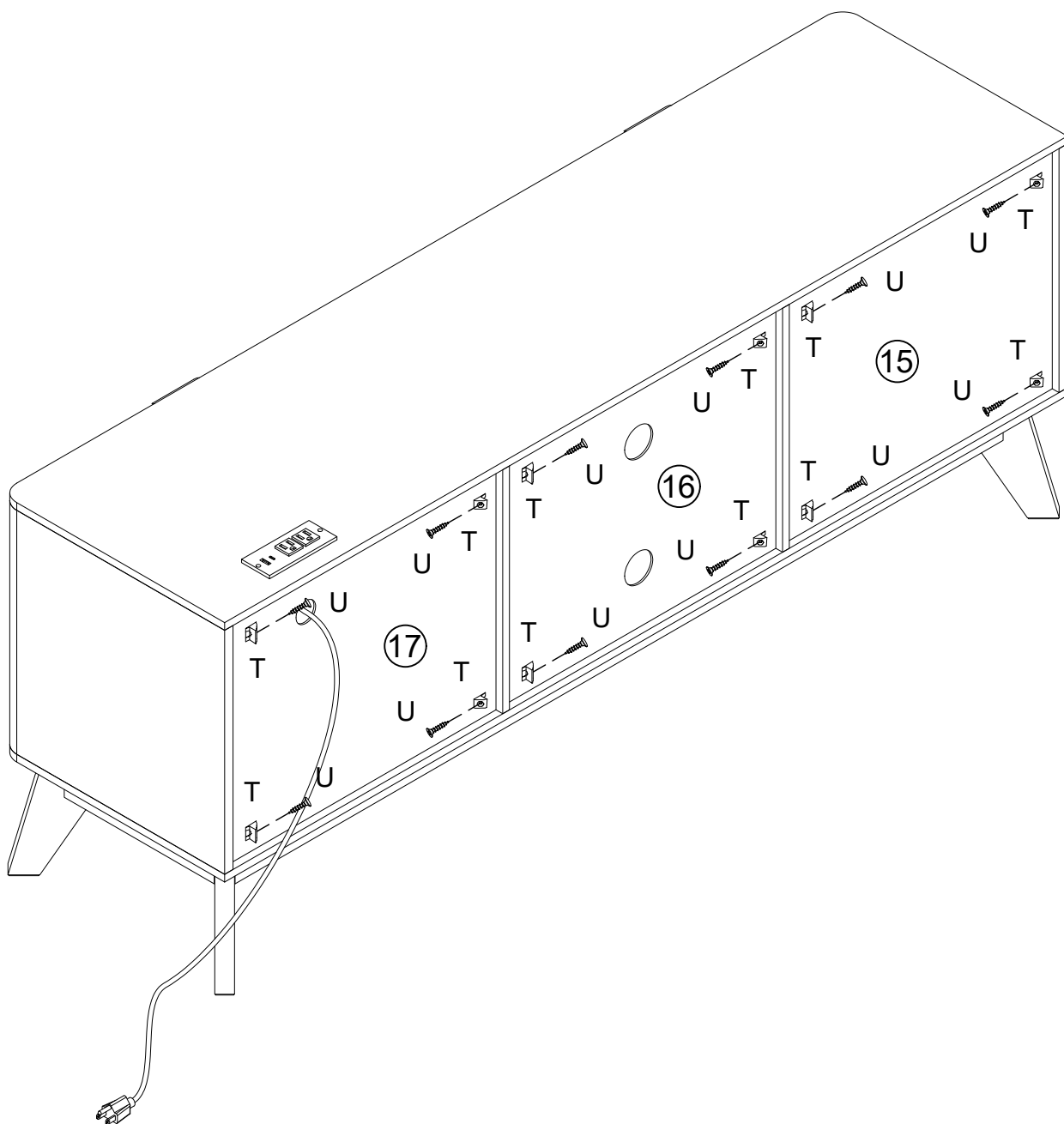
Turning the screw "C" on BOTH hinges on each door.



STEP 19



0	Sx2
---	-----

STEP 20



	Tx12
	Ux12