
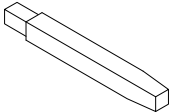

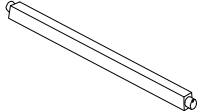
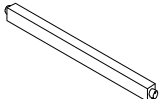
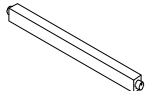


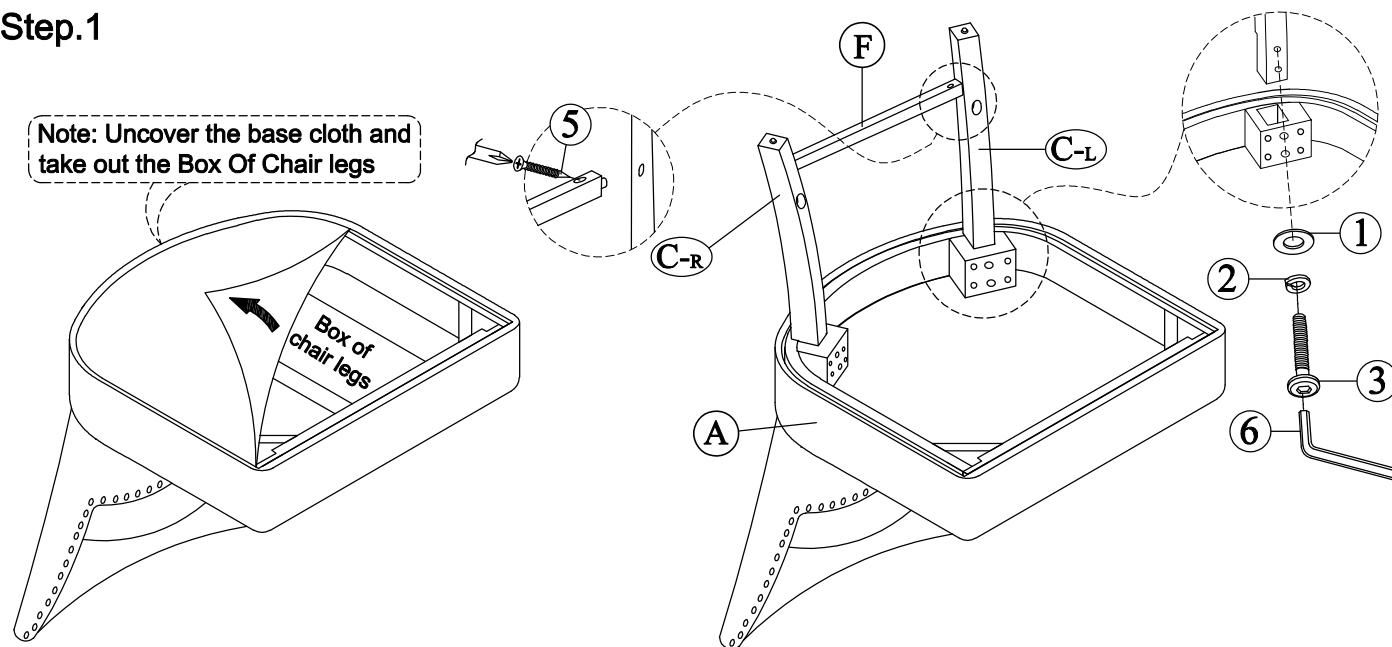
# BEST QUALITY FURNITURE ASSEMBLY INSTRUCTIONS

## LIST OF PARTS

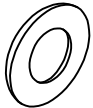

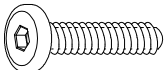
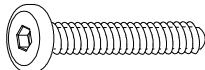
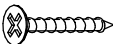

<b>(A) Seat Frame</b>  1 pc	<b>(B) Front Legs</b>  1L,1R	<b>(C) Back Legs</b>  1L,1R
<b>(D) Side Stretcher</b>  1L,1R	<b>(E) Front Stretcher</b>  1 pc	<b>(F) Back Stretcher</b>  1 pc

## Step.1

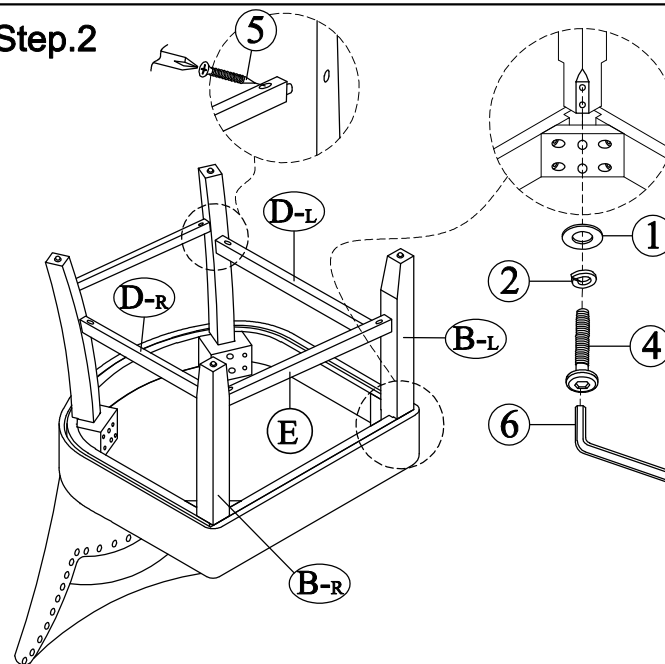
Note: Uncover the base cloth and take out the Box of Chair legs



## LIST OF HARDWARE

<b>1. Flat Washer</b>  1/4" (8pcs)	<b>2. Spring Washer</b>  1/4" (8pcs)
<b>3. Short bolt</b>  1/4" x 40mm(4pcs)	<b>4. Long bolt</b>  1/4" x 60mm(4pcs)
<b>5. Screws</b>  #4 x 38mm(8 pcs)	<b>6. Allen key</b>  1pc

## Step.2



## Completed

